



US00D669037S

(12) **United States Design Patent**
Becker

(10) **Patent No.:** **US D669,037 S**

(45) **Date of Patent:** **** Oct. 16, 2012**

(54) **FOOT PEDAL**

(75) Inventor: **Wolfram Becker**, Laer (DE)

(73) Assignee: **Karl Storz GmbH & Co. KG** (DE)

(**) Term: **14 Years**

(21) Appl. No.: **29/394,897**

(22) Filed: **Jun. 22, 2011**

(30) **Foreign Application Priority Data**

Dec. 23, 2010 (EM) 001798331-0024

(51) **LOC (9) Cl.** **13-03**

(52) **U.S. Cl.** **D13/167**

(58) **Field of Classification Search** D13/179;
D15/72; D17/20; D24/179; D12/125, 174;
D21/685, 694; 200/86.5; 219/132; 307/119;
433/101; 606/1; 5/600; 74/512, 560, 561
See application file for complete search history.

(56) **References Cited**

U.S. PATENT DOCUMENTS

4,638,682 A * 1/1987 Michiyama 74/560
5,422,521 A * 6/1995 Neer et al. 307/119
D369,389 S * 4/1996 Beyer D21/694
5,635,777 A * 6/1997 Telymonde et al. 307/119
D391,923 S * 3/1998 Tracey D13/167

D450,661 S * 11/2001 Weisz et al. D13/167
7,012,203 B2 * 3/2006 Hanson et al. 200/86.5
2012/0028218 A1 * 2/2012 Villette et al. 433/101

OTHER PUBLICATIONS

Bernstein Brochure; "Foot-Operated Switches for Medical Applications"; <http://www.bernstein-ag.de/cms/site/en/products/switches/foot-operated-switches-for-medical-applications/>; Sep. 2009; 14 pages.

* cited by examiner

Primary Examiner — Selina Sikder

(74) *Attorney, Agent, or Firm* — St. Onge Steward Johnston & Reens LLC

(57) **CLAIM**

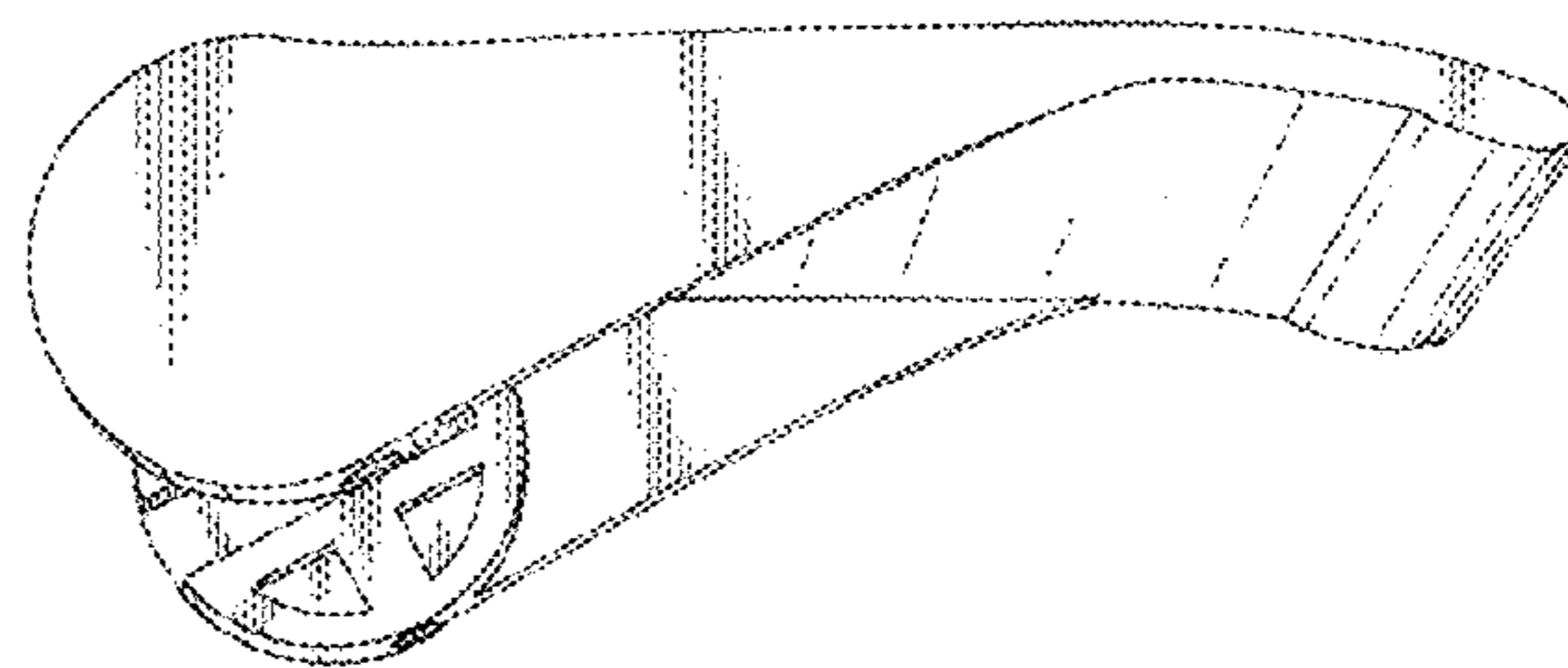
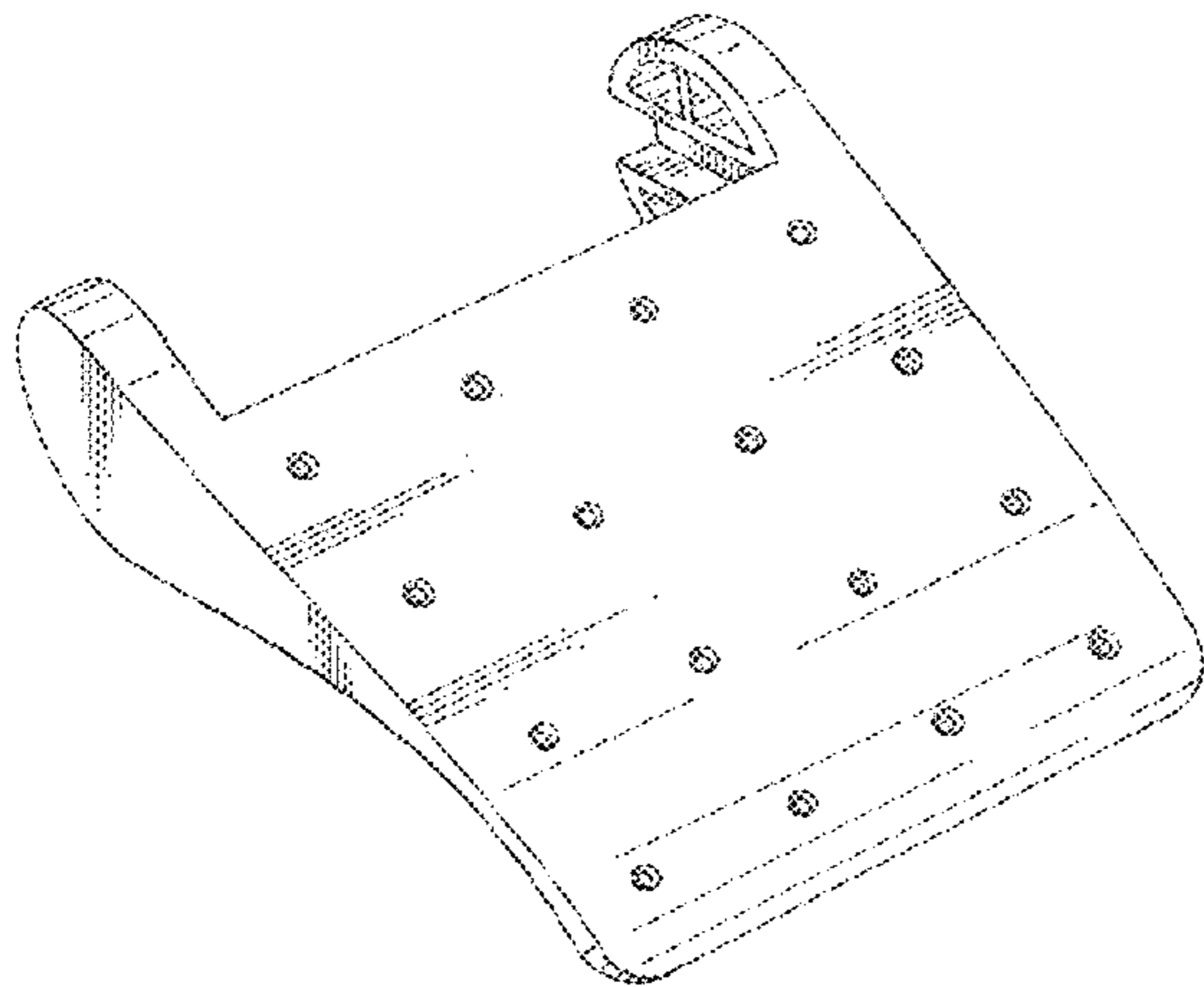
The ornamental design for a foot pedal, as shown and described.

DESCRIPTION

FIG. 1 is a front right side perspective view of a foot pedal in accordance with the new design;
FIG. 2 is a right side isometric view thereof;
FIG. 3 is a left side isometric view thereof;
FIG. 4 is a front isometric view thereof;
FIG. 5 is a rear isometric view thereof;
FIG. 6 is a top isometric view thereof; and,
FIG. 7 is a bottom isometric view thereof.

The broken lines immediately adjacent the shaded areas in FIG. 7 represent the bounds of the claimed design, with the lines themselves and areas within them forming no part of the claimed design.

1 Claim, 7 Drawing Sheets



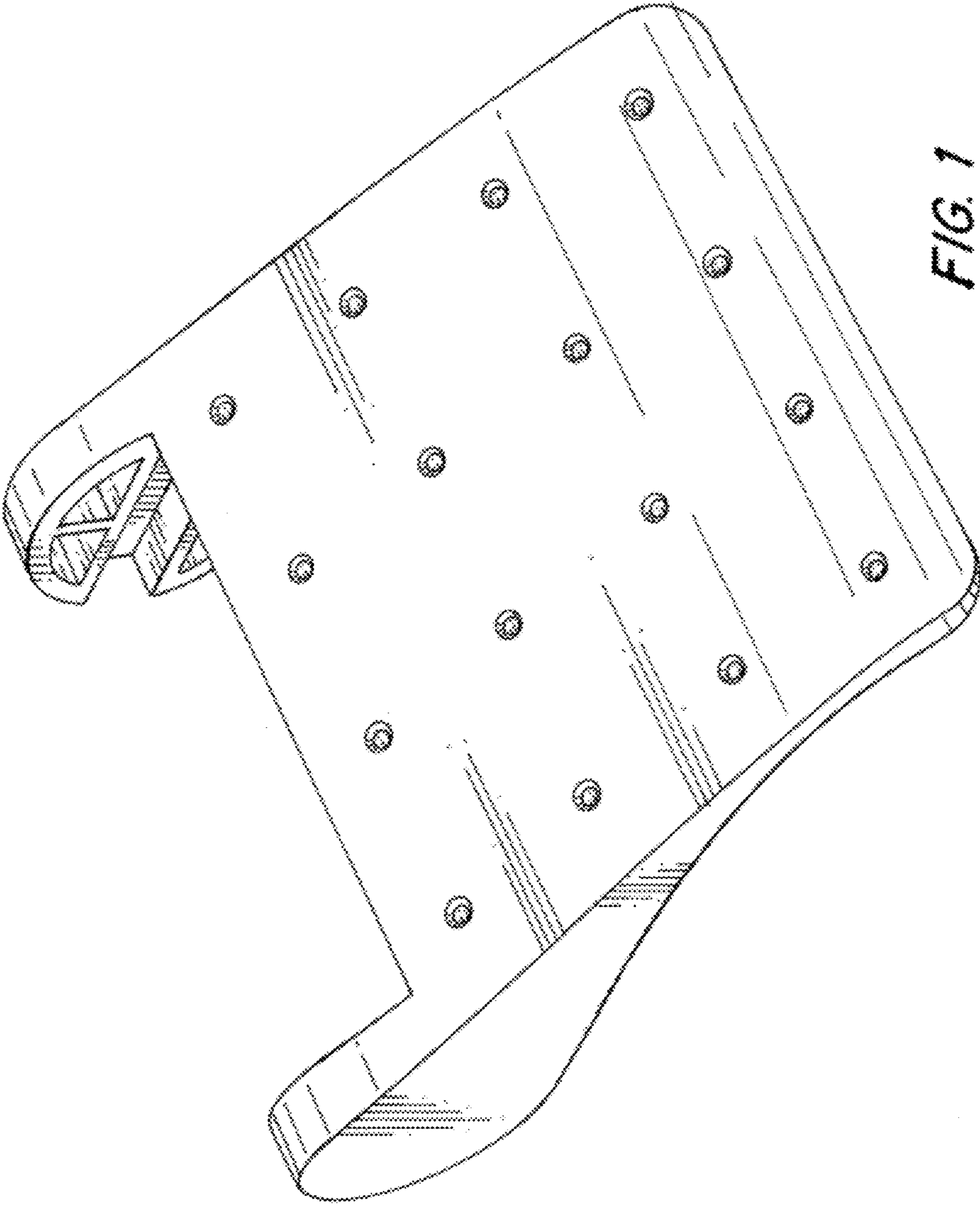


FIG. 1

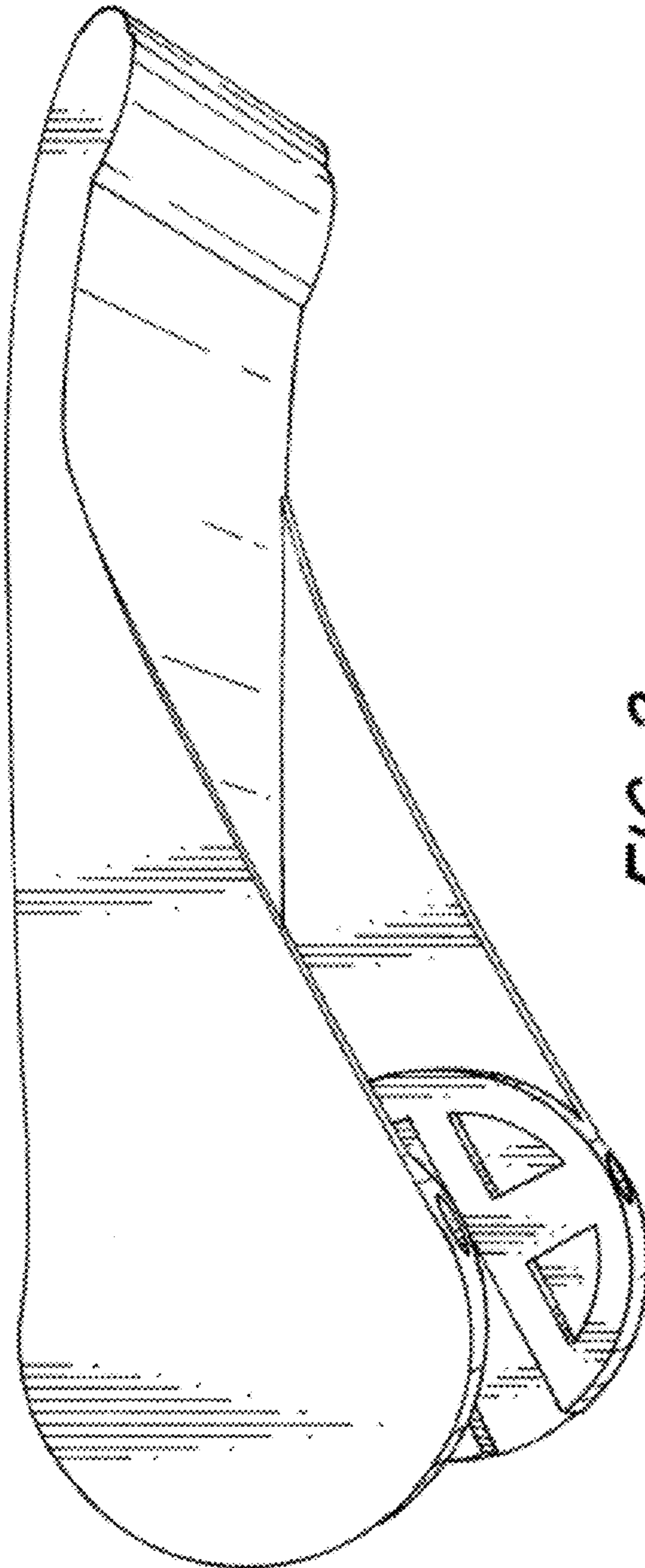


FIG. 2

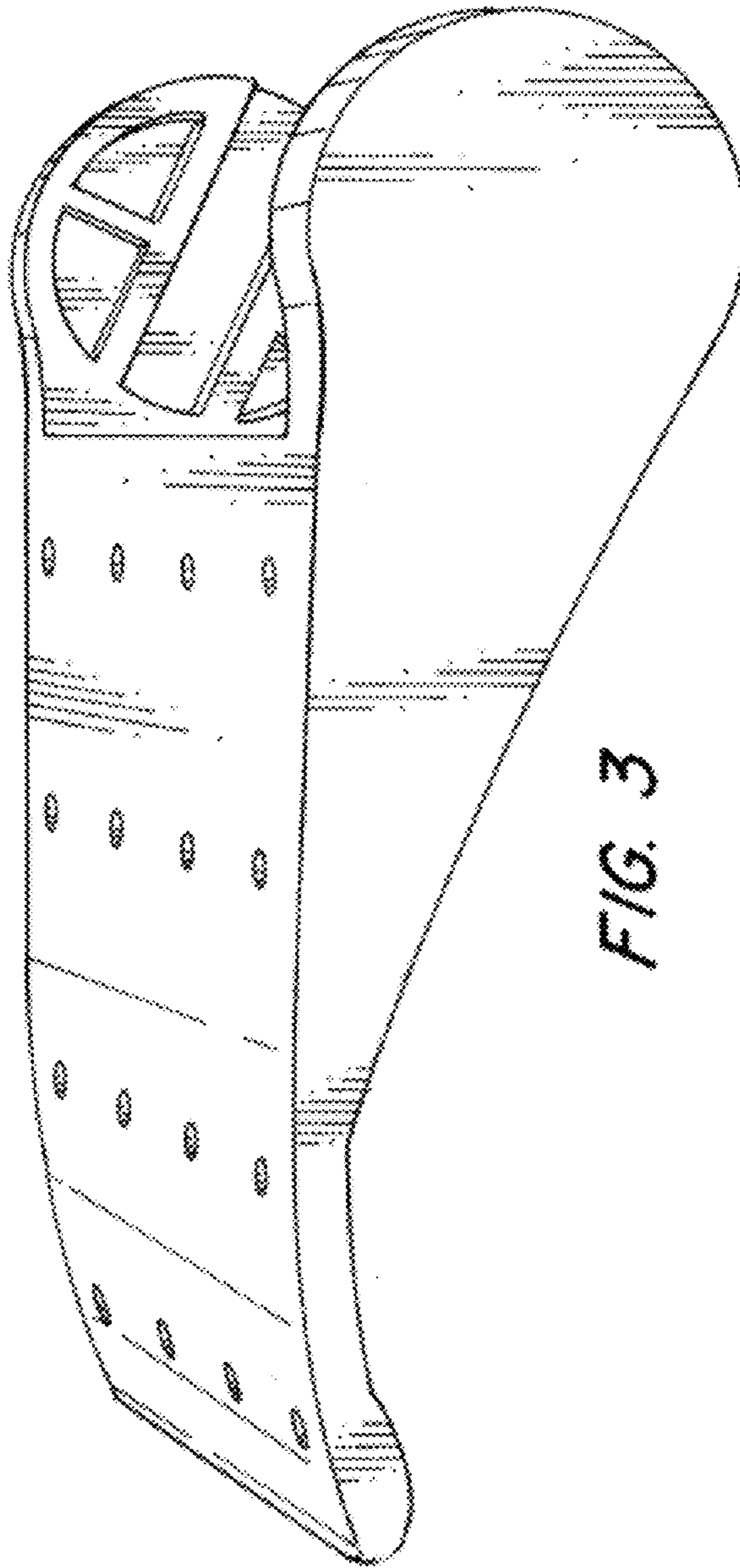


FIG. 3

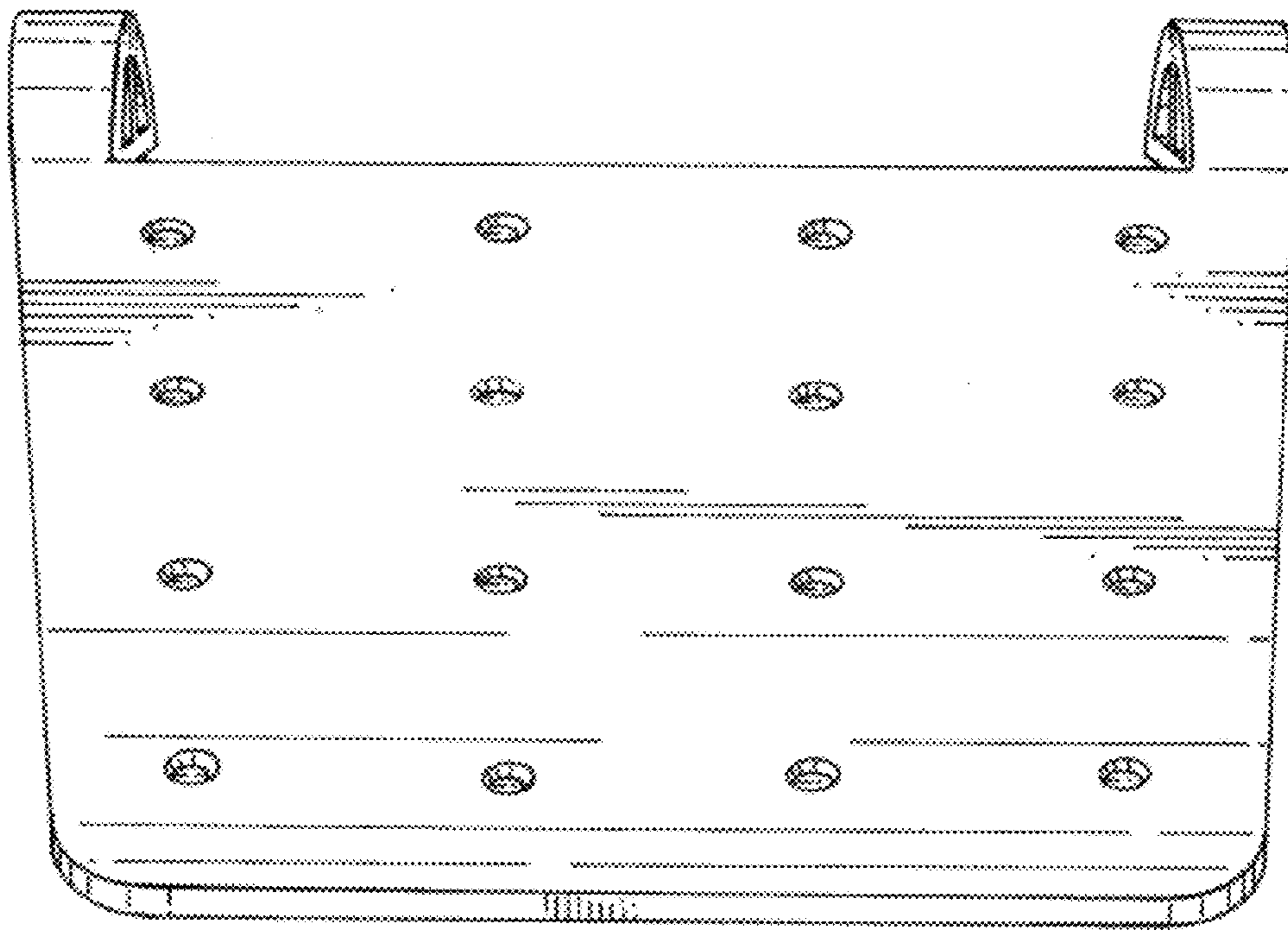


FIG. 4

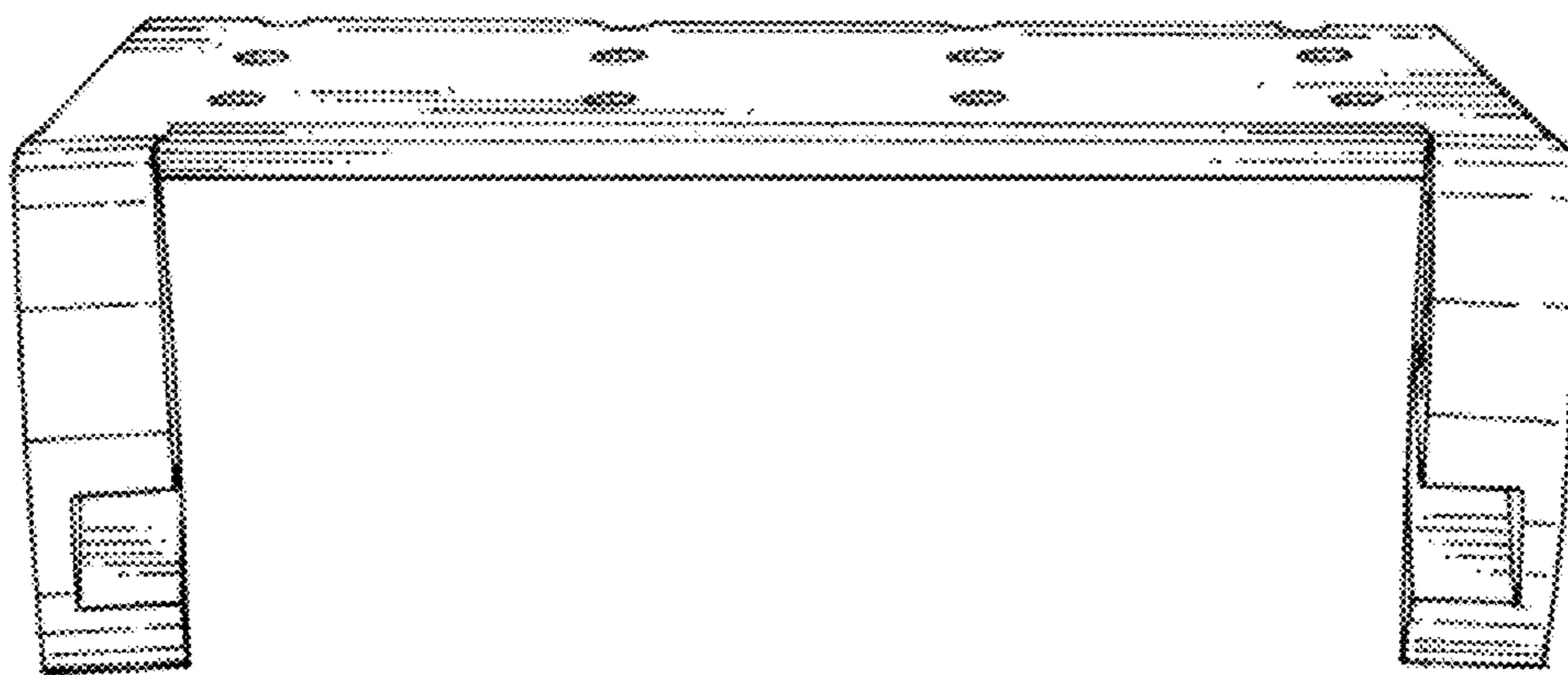


FIG. 5

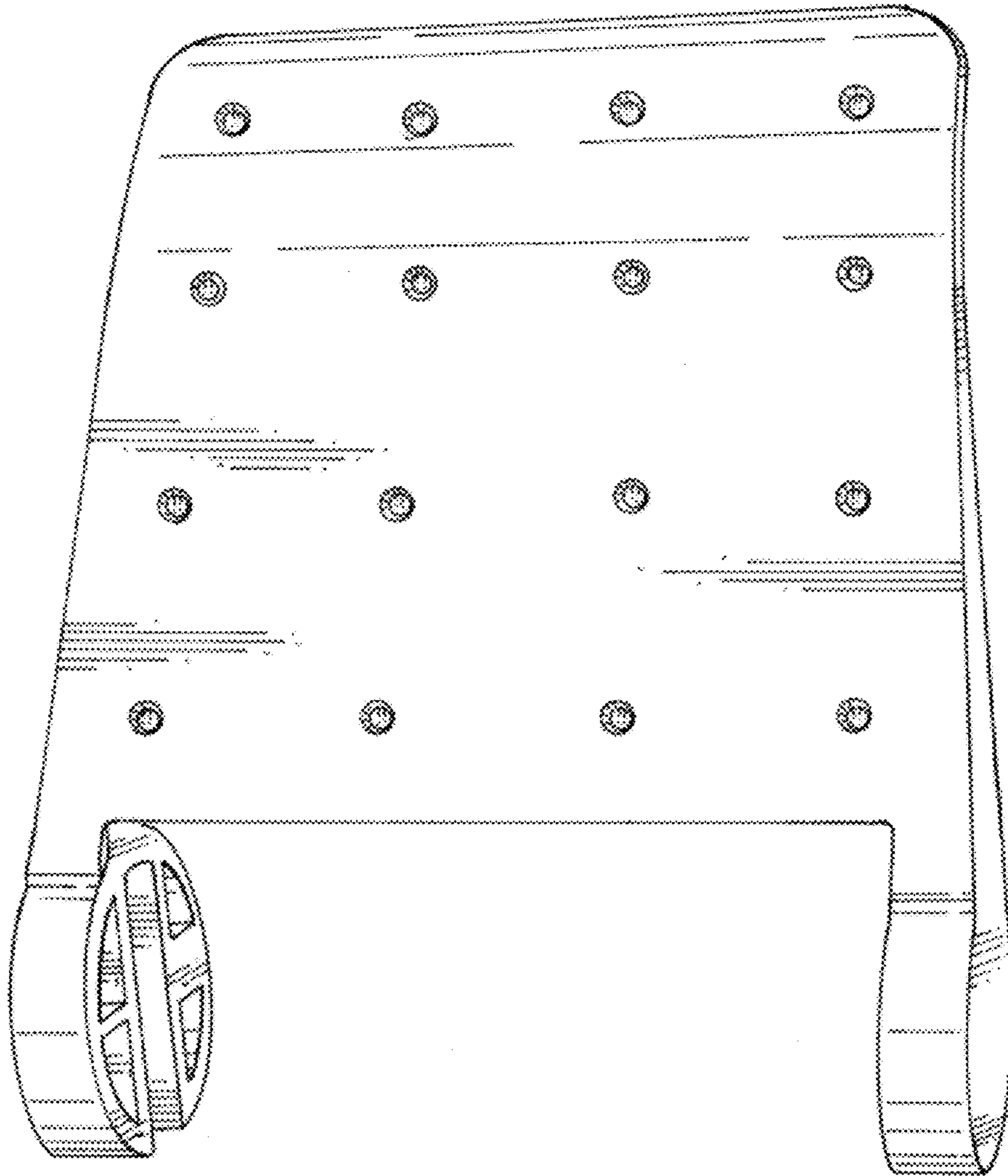


FIG. 6

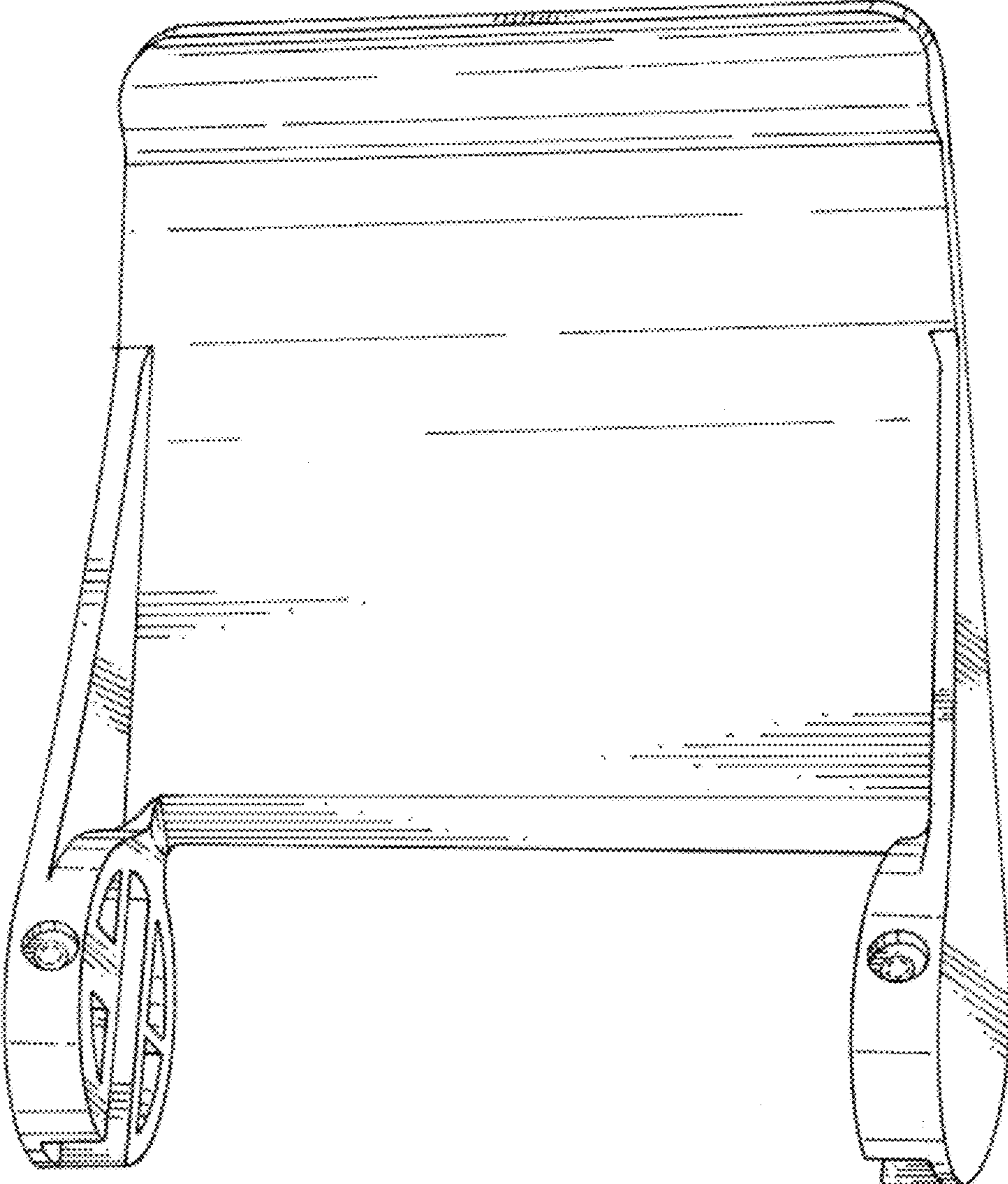


FIG. 7