

US00D669036S

(12) **United States Design Patent**  
**Apruzzese**

(10) **Patent No.:** **US D669,036 S**  
(45) **Date of Patent:** **\*\* Oct. 16, 2012**

(54) **IRRIGATION CONTROLLER**

(75) Inventor: **Don Apruzzese**, West Chester, PA (US)

(73) Assignee: **Green Badge LLC**, King of Prussia, PA (US)

(\*\*) Term: **14 Years**

(21) Appl. No.: **29/405,174**

(22) Filed: **Oct. 30, 2011**

(51) **LOC (9) Cl.** ..... **13-03**

(52) **U.S. Cl.** ..... **D13/164**

(58) **Field of Classification Search** ..... D13/162,  
D13/162.1, 164, 184, 199; 239/63, 69, 70;  
700/11, 14-20; D10/40; 37/1, 377, 565.22,  
37/59, 624.11, 78.3; 174/657; 210/143,  
210/205; D23/235

See application file for complete search history.

(56) **References Cited**

U.S. PATENT DOCUMENTS

D580,373 S *	11/2008	Stange et al.	.....	D13/162
D608,301 S *	1/2010	Clark et al.	.....	D13/162
D613,255 S *	4/2010	Paul	.....	D13/162
D621,794 S *	8/2010	Haeske et al.	.....	D13/164
2006/0030971 A1 *	2/2006	Nelson et al.	.....	700/284
2008/0058964 A1 *	3/2008	Nickerson et al.	.....	700/19

\* cited by examiner

*Primary Examiner* — Thomas Johannes

(74) *Attorney, Agent, or Firm* — Clause Eight IPS; Michael Catania

(57) **CLAIM**

The ornamental design for an irrigation controller, as shown and described.

**DESCRIPTION**

FIG. 1 is a front perspective view plan view of an irrigation controller of the present invention with a front cover in an open position to reveal an interior with a unique user interface.

FIG. 2 is an isolated front plan view of a user interface thereof.

FIG. 3 is a front perspective view thereof with the cover in a closed position.

FIG. 4 is a first side plan view thereof with the cover in a closed position.

FIG. 5 is a front plan view thereof with the cover in a closed position.

FIG. 6 is a second side plan view thereof with the cover in a closed position.

FIG. 7 is a top plan view thereof with the cover in a closed position.

FIG. 8 is a bottom plan view thereof with the cover in a closed position.

FIG. 9 is a side plan view thereof with the cover in a closed position.

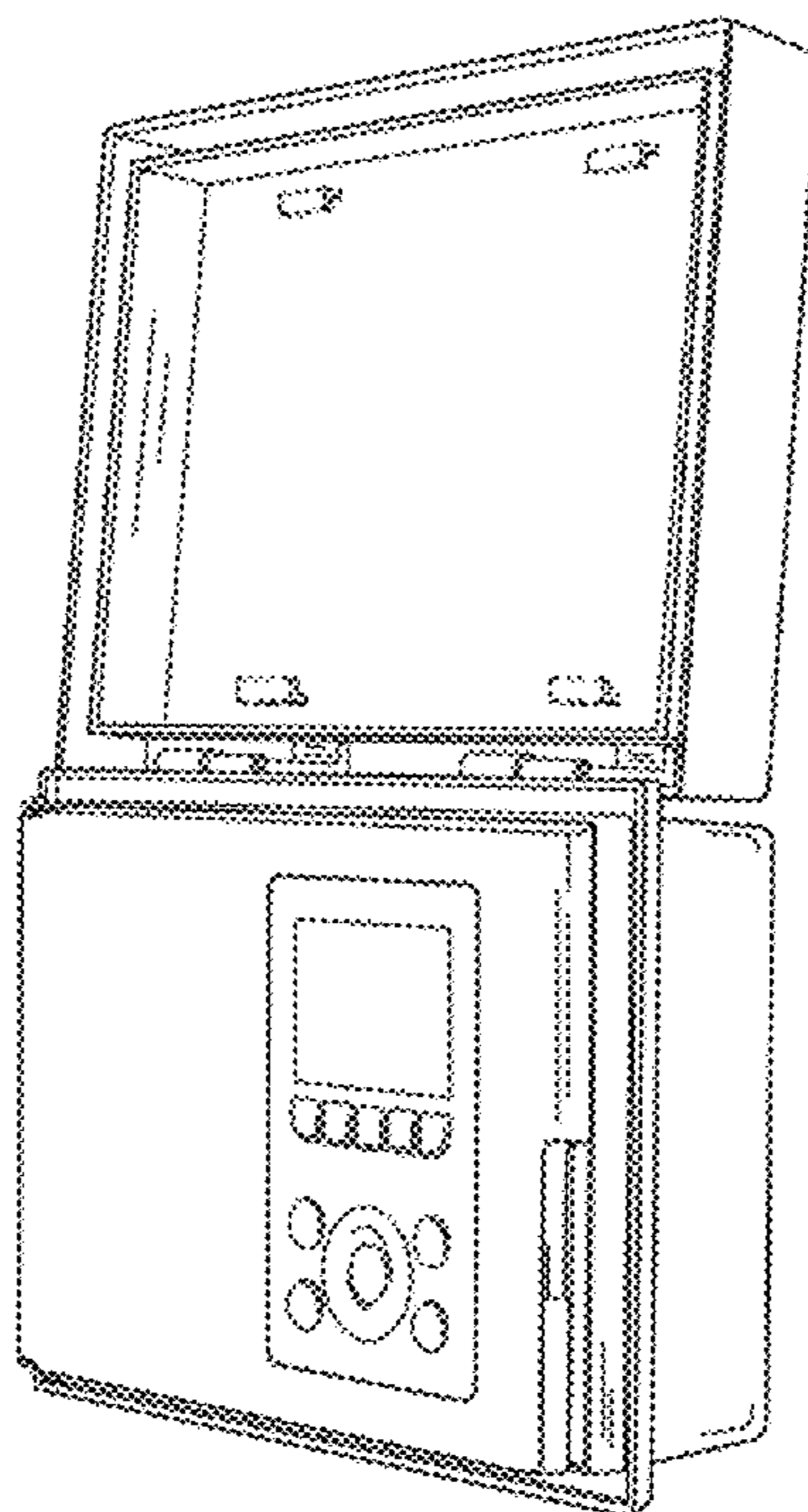
FIG. 10 is a top plan view thereof with the cover in an open position.

FIG. 11 is a first side view thereof with the cover in an open position; and,

FIG. 12 is a second side view thereof with the cover in an open position.

The broken line showing depicts unclaimed subject matter and forms no part of the claimed design.

**1 Claim, 4 Drawing Sheets**



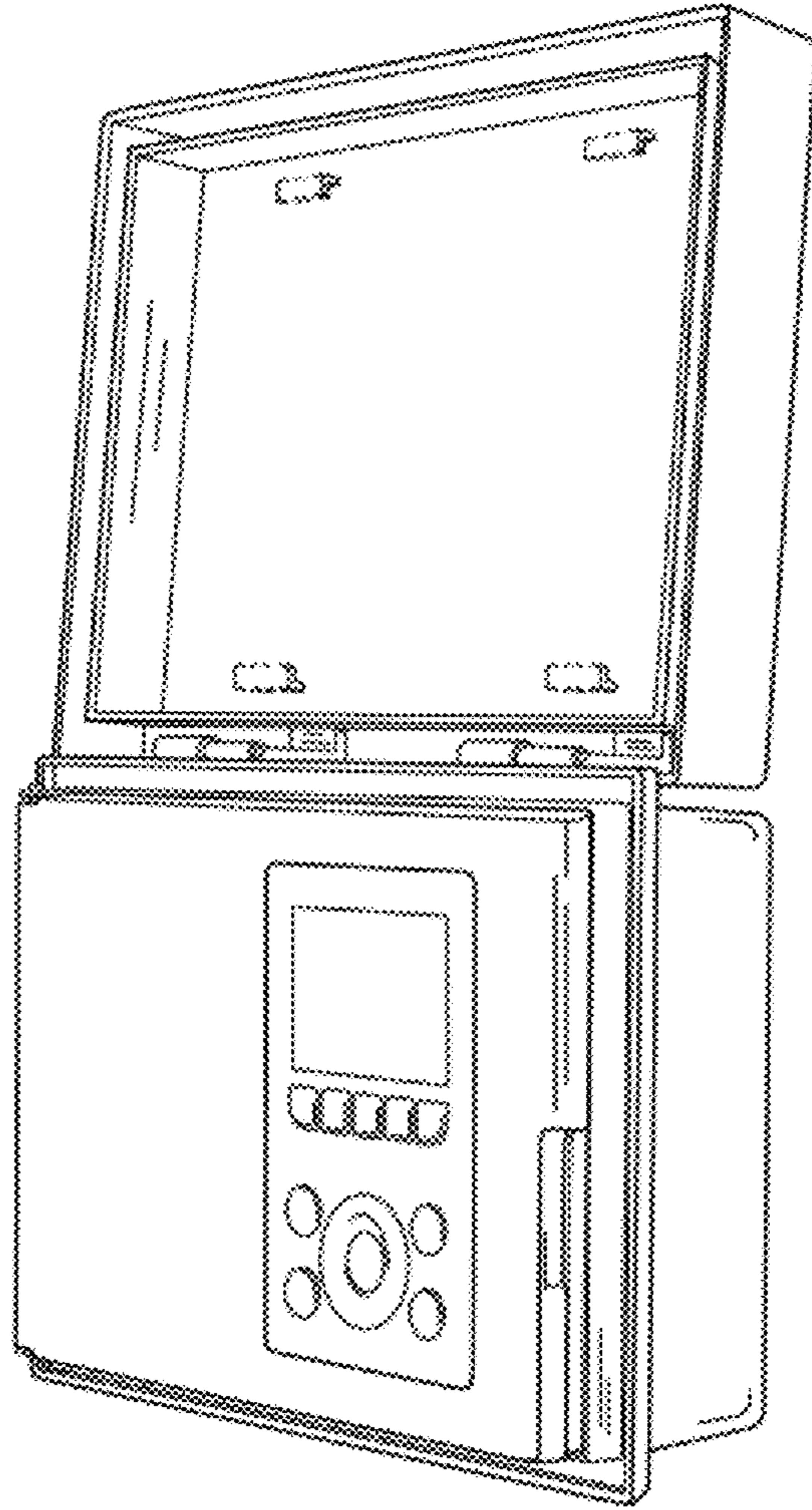


FIG. 1

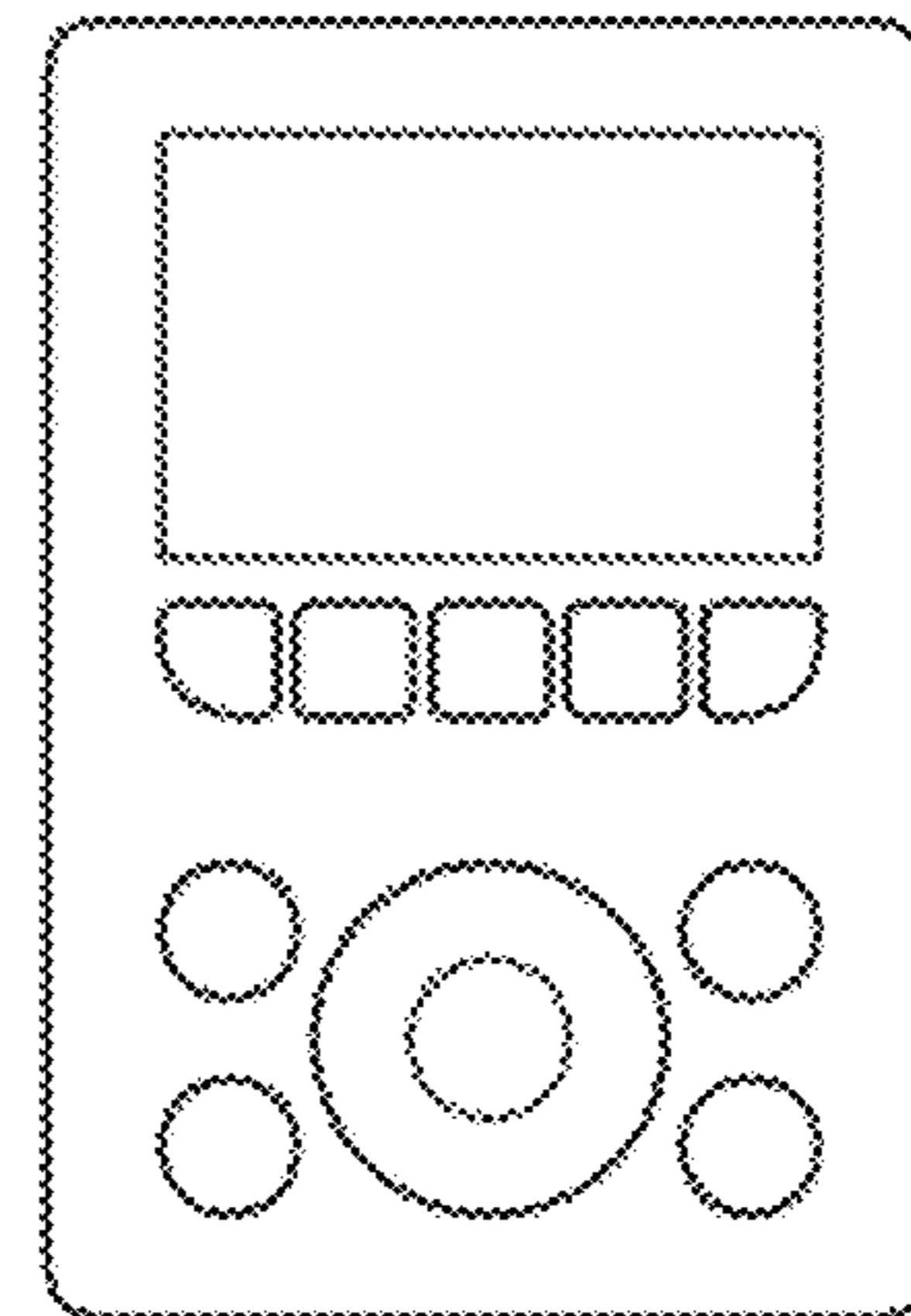


FIG. 2

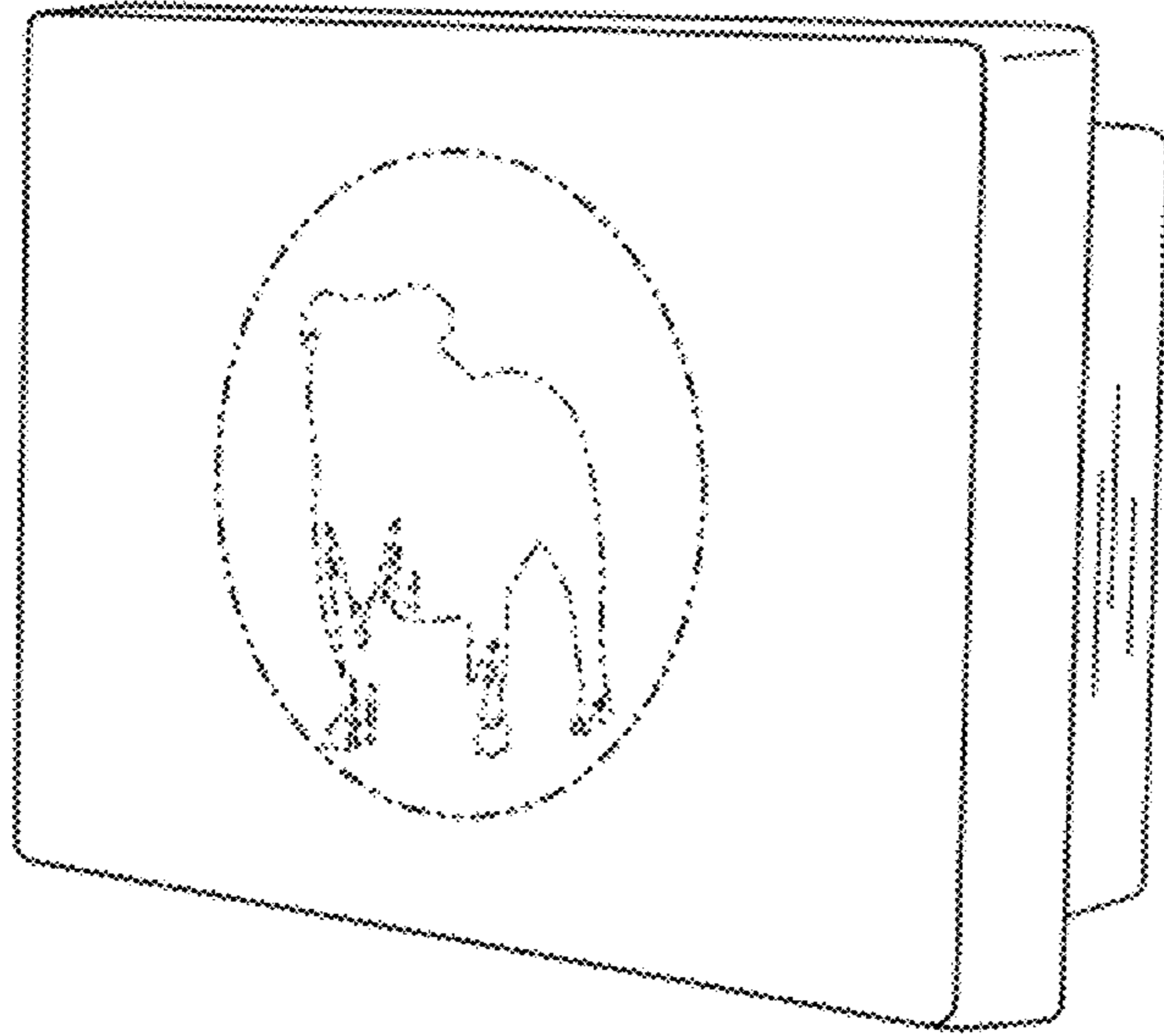


FIG. 3

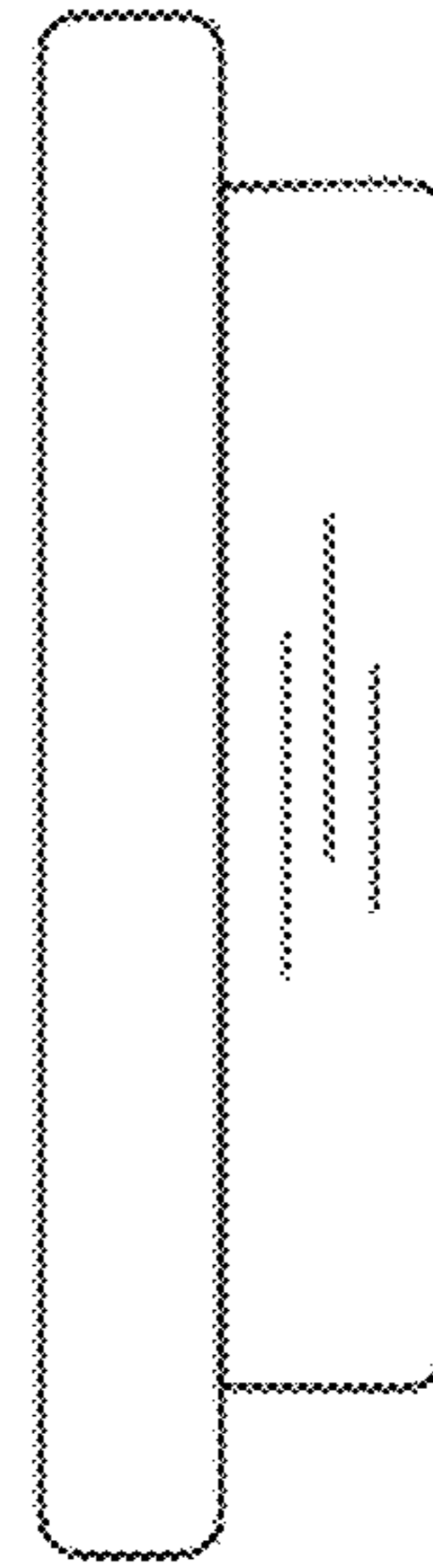


FIG. 4

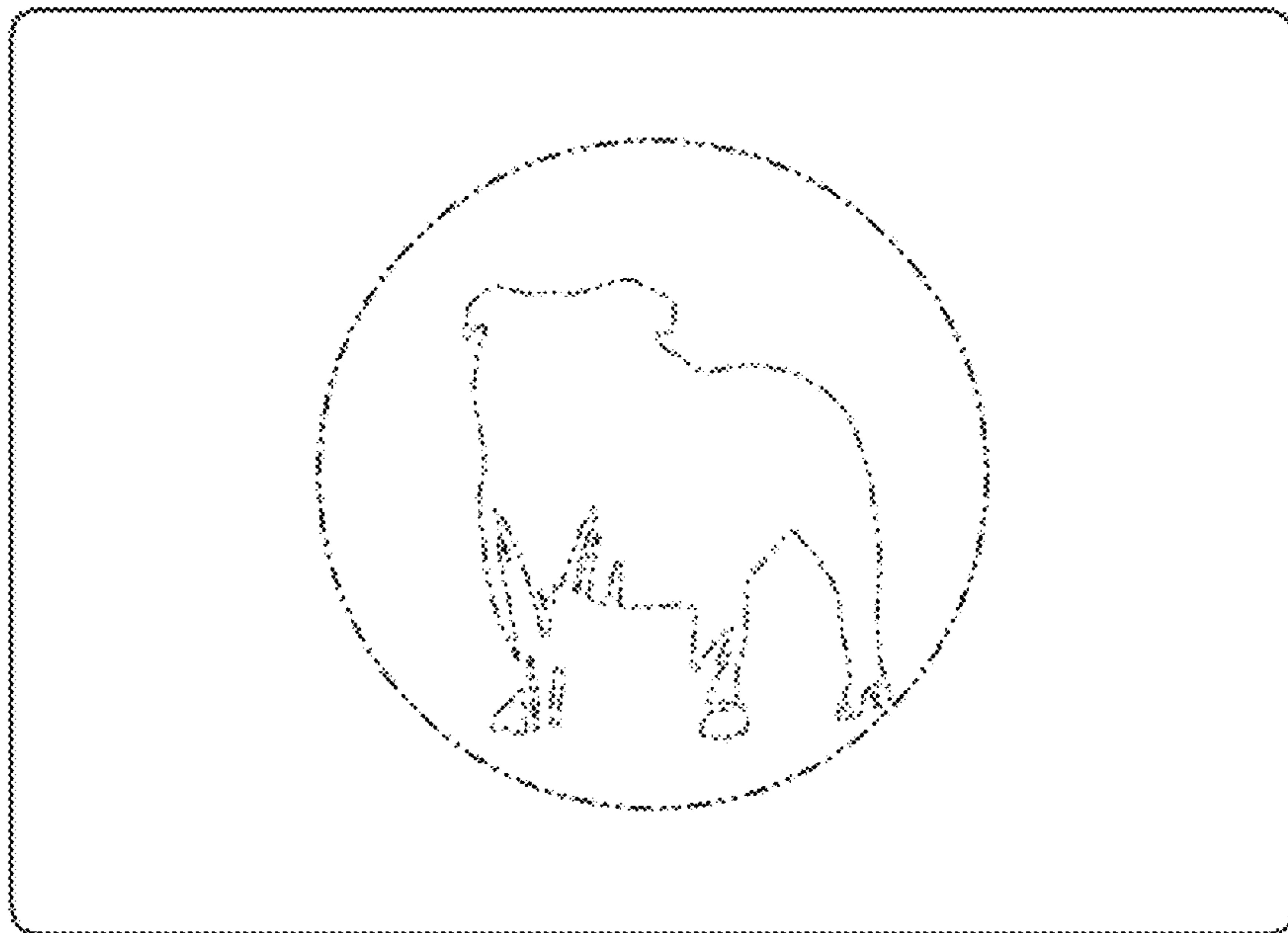


FIG. 5

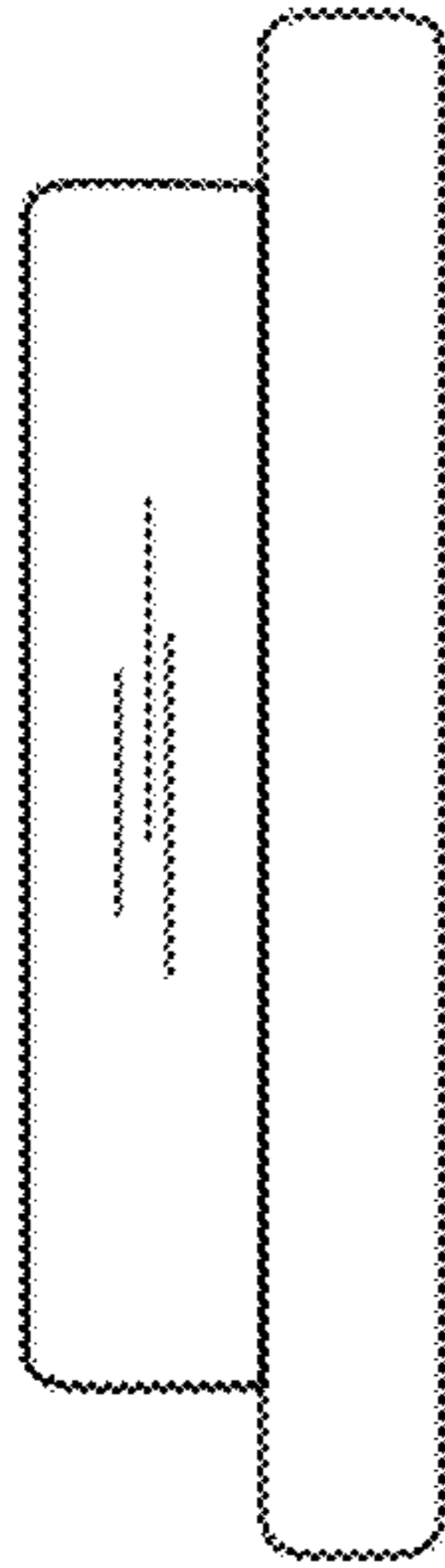


FIG. 6

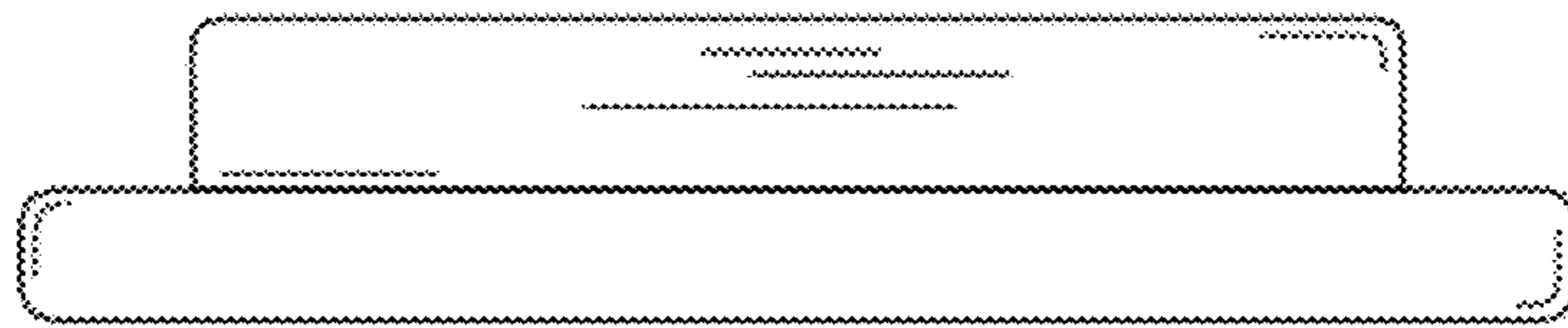


FIG. 7

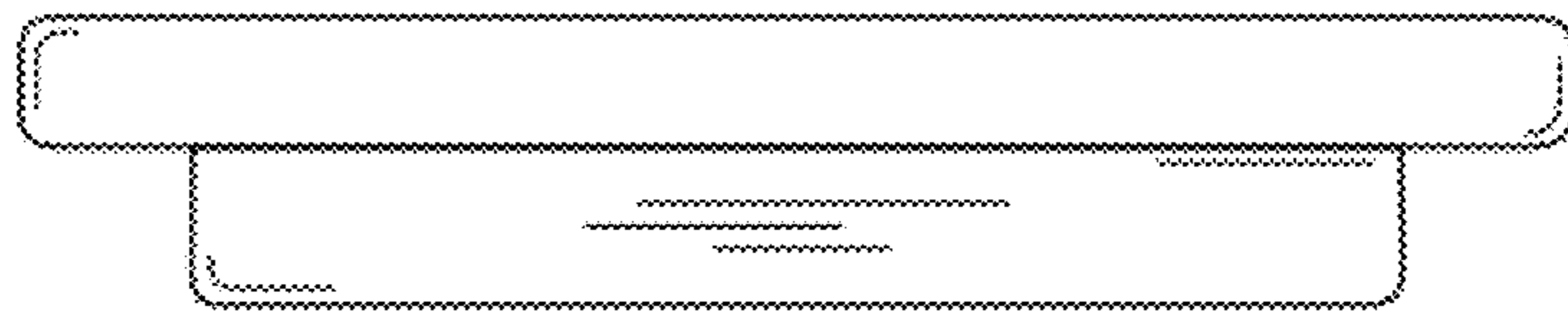


FIG. 8

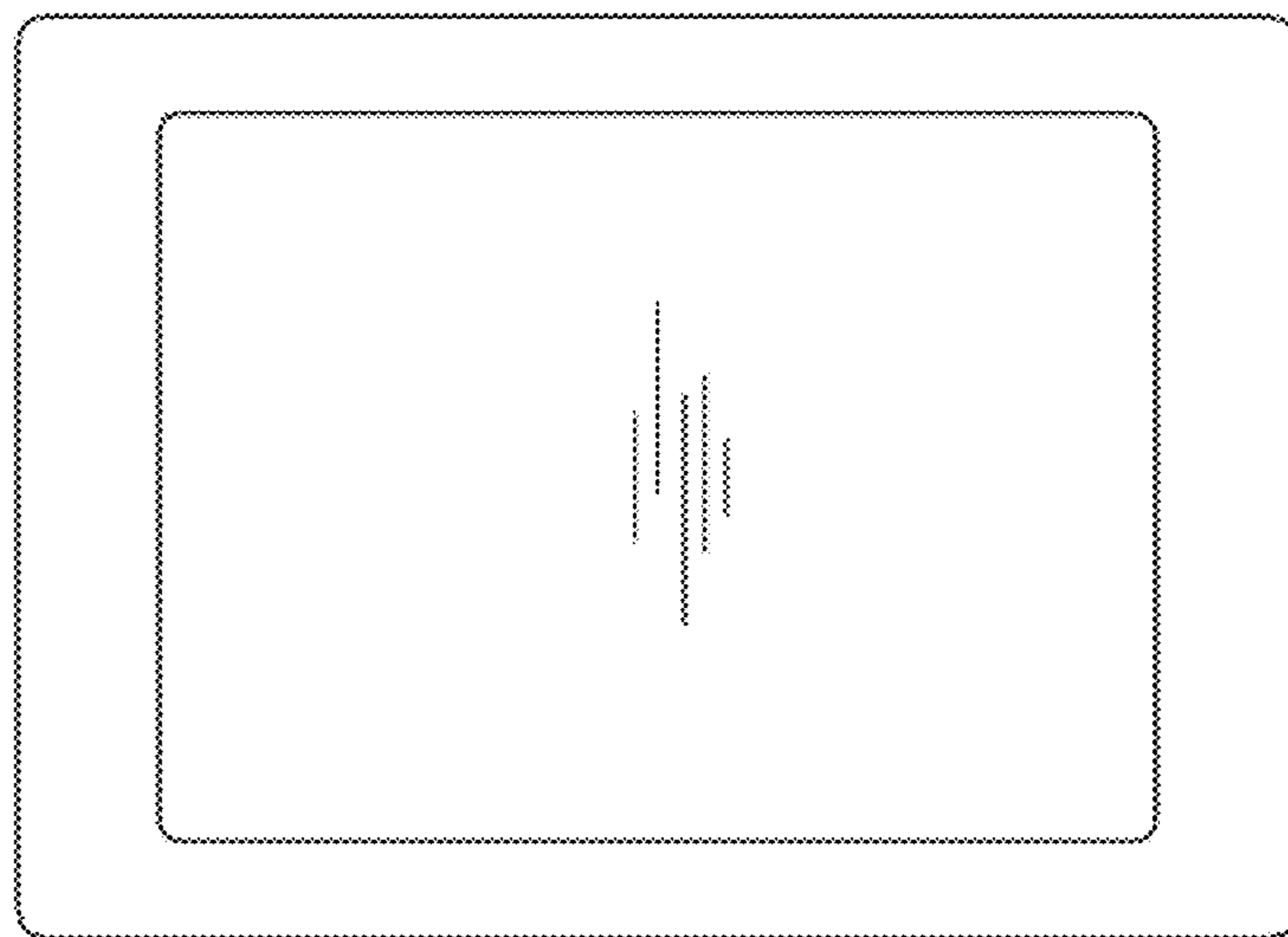


FIG. 9

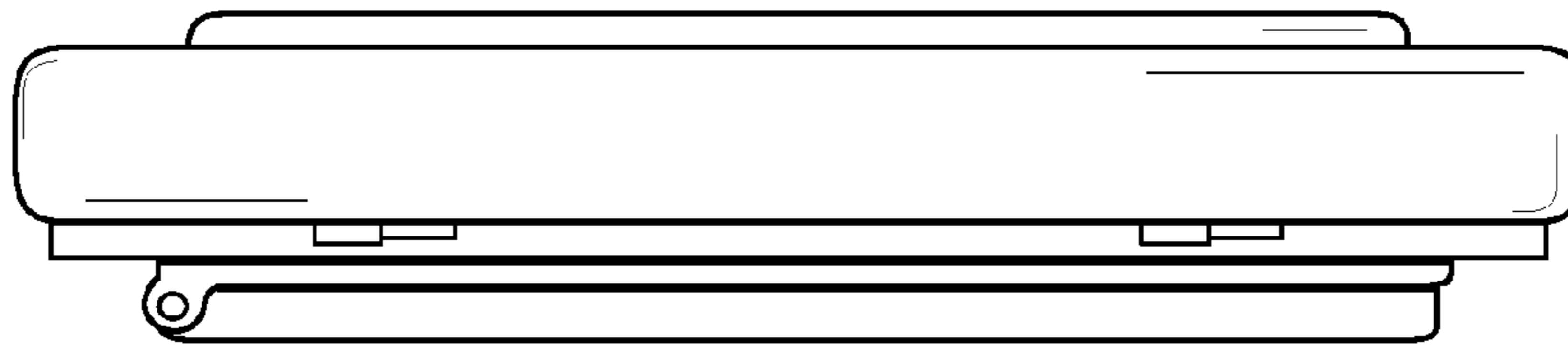


FIG. 10

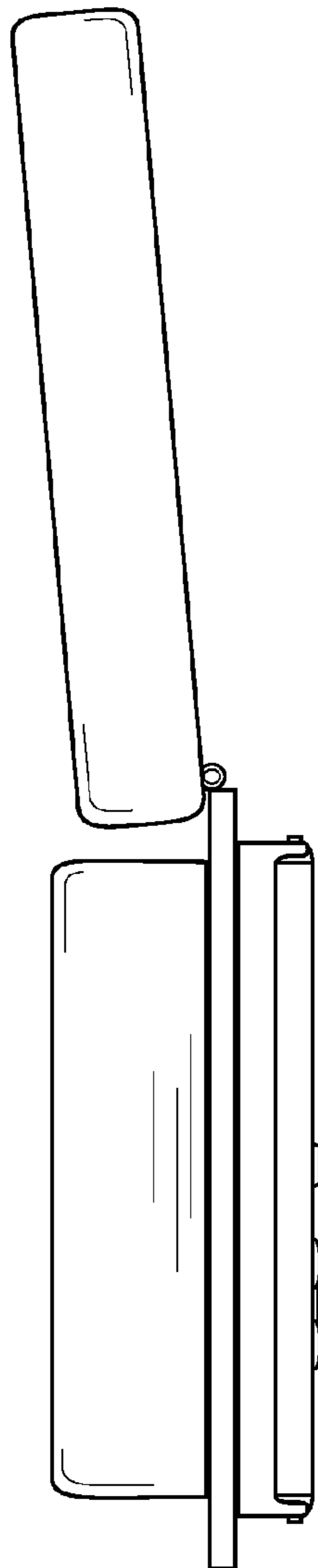


FIG. 11

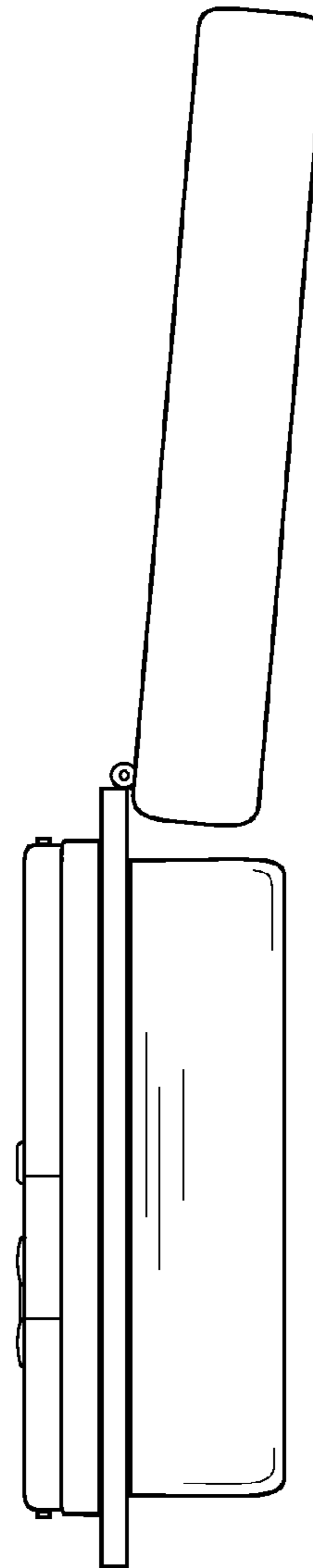


FIG. 12