



US00D669035S

(12) **United States Design Patent**
Ruddick

(10) **Patent No.:** **US D669,035 S**
(45) **Date of Patent:** **** Oct. 16, 2012**

(54) **CONDUIT CONNECTOR**
(75) Inventor: **Paul Ruddick**, Newcastle Upon Tyne (GB)
(73) Assignee: **D-Line (Europe) Limited** (GB)
(**) Term: **14 Years**
(21) Appl. No.: **29/369,226**
(22) Filed: **Sep. 3, 2010**
(30) **Foreign Application Priority Data**
Mar. 11, 2010 (EM) 001680091-003
Mar. 11, 2010 (EM) 001680091-004

EM 000109665-0001 3/2004
EM 000109673-0001 3/2004
EM 000109673-0002 3/2004
EM 000109673-0003 3/2004
EM 000109673-0004 3/2004
EM 000109673-0005 3/2004
EM 000109673-0006 3/2004
EM 000109673-0007 3/2004
EM 000109673-0008 3/2004
EM 000151873-0001 6/2004
EM 000139985-0001 7/2004
EM 000139985-0002 7/2004
EM 000139985-0003 7/2004
EM 000281274-0001 3/2005
EM 000281274-0002 3/2005

(Continued)

(51) **LOC (9) Cl.** **13-03**
(52) **U.S. Cl.** **D13/155**
(58) **Field of Classification Search** D13/155,
D13/123, 133, 153, 154, 156, 184, 199; D8/349,
D8/354, 380; D23/259, 262; 138/156, 162;
174/68.1, 68.2, 68.3, 71 R, 72 C, 74 R, 504,
174/660, 665, 667, 668; 403/83, 92, 403
See application file for complete search history.

OTHER PUBLICATIONS
“Trunking Decorative Style—Quick to Fit, Looks Great!,” Dec. 2009 (12 pages).
Primary Examiner — Derrick Holland
(74) *Attorney, Agent, or Firm* — Sterne, Kessler, Goldstein & Fox P.L.L.C.

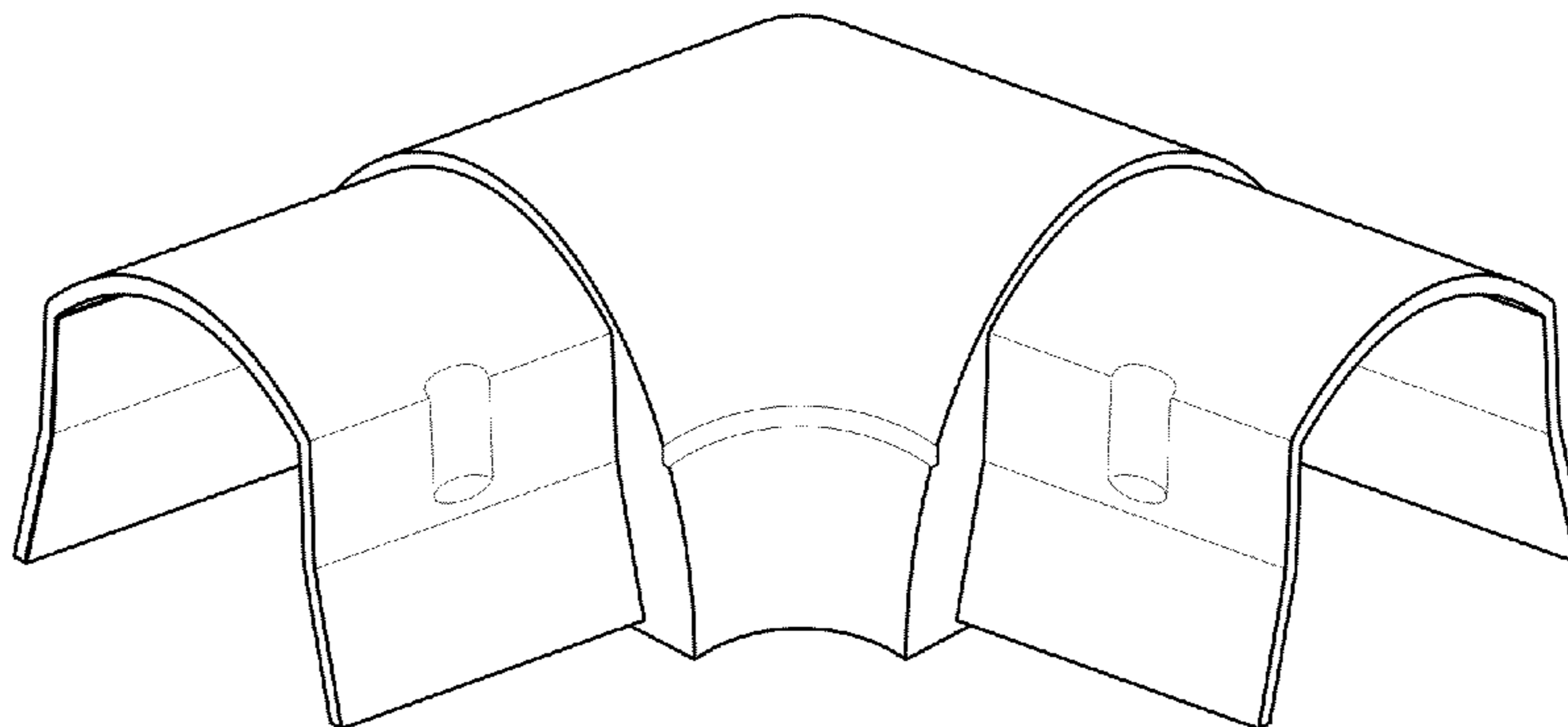
(56) **References Cited**
U.S. PATENT DOCUMENTS
D304,904 S * 12/1989 Kercher D8/380
4,951,716 A * 8/1990 Tsunoda et al. 138/162
5,336,849 A * 8/1994 Whitney 174/72 C
5,753,855 A * 5/1998 Nicoli et al. 174/504
D413,306 S * 8/1999 Scherer et al. D13/155
D447,737 S * 9/2001 Scherer et al. D13/155
D503,968 S 4/2005 Ruddick
D503,969 S 4/2005 Ruddick
6,874,969 B2 * 4/2005 Jadaud et al. 403/92
D504,938 S 5/2005 Ruddick
D539,752 S 4/2007 Ruddick
D541,143 S 4/2007 Ruddick
2002/0006312 A1 * 1/2002 Buard 403/403
2005/0217883 A1 * 10/2005 Ewer et al. 174/49

(57) **CLAIM**
The ornamental design for a conduit connector, as shown and described.

FOREIGN PATENT DOCUMENTS
EM 000029814-0001 8/2003
EM 000029814-0002 8/2003

DESCRIPTION
FIG. 1 is a top front perspective view of a conduit connector showing my new design;
FIG. 2 is a front view thereof;
FIG. 3 is a rear view thereof;
FIG. 4 is a right side view thereof;
FIG. 5 is a left side view thereof;
FIG. 6 is a top view thereof; and,
FIG. 7 is a top rear perspective view thereof.

1 Claim, 3 Drawing Sheets



US D669,035 S

Page 2

FOREIGN PATENT DOCUMENTS					
EM	000281274-0003	3/2005	EM	000379946-0003	9/2005
EM	000281274-0004	3/2005	EM	000379946-0004	9/2005
EM	000281274-0005	3/2005	EM	001680091-0001	3/2010
EM	000281274-0006	3/2005	EM	001680091-0002	3/2010
EM	000379946-0001	9/2005	EM	001680091-0003	3/2010
EM	000379946-0002	9/2005	EM	001680091-0004	3/2010

* cited by examiner

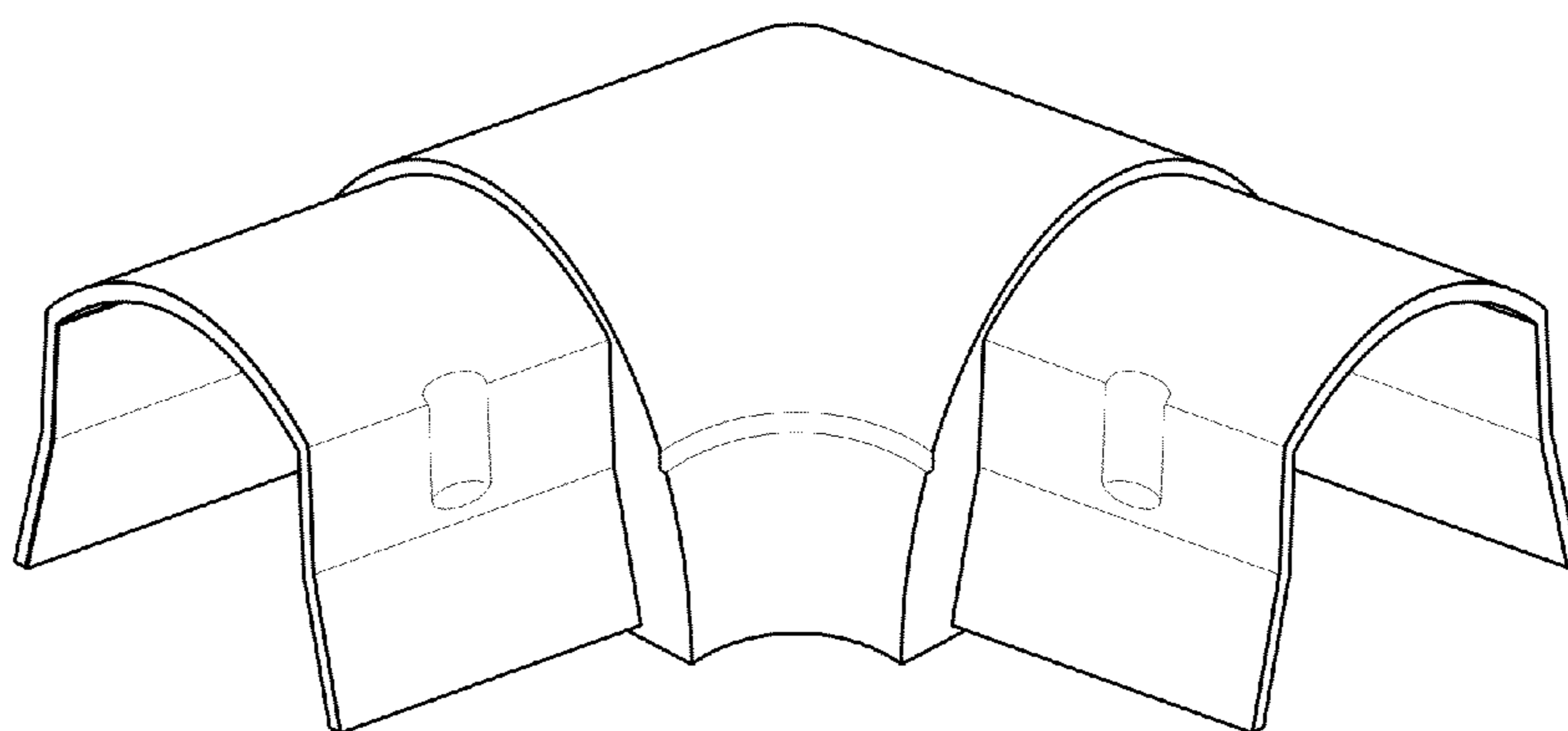


FIG. 1

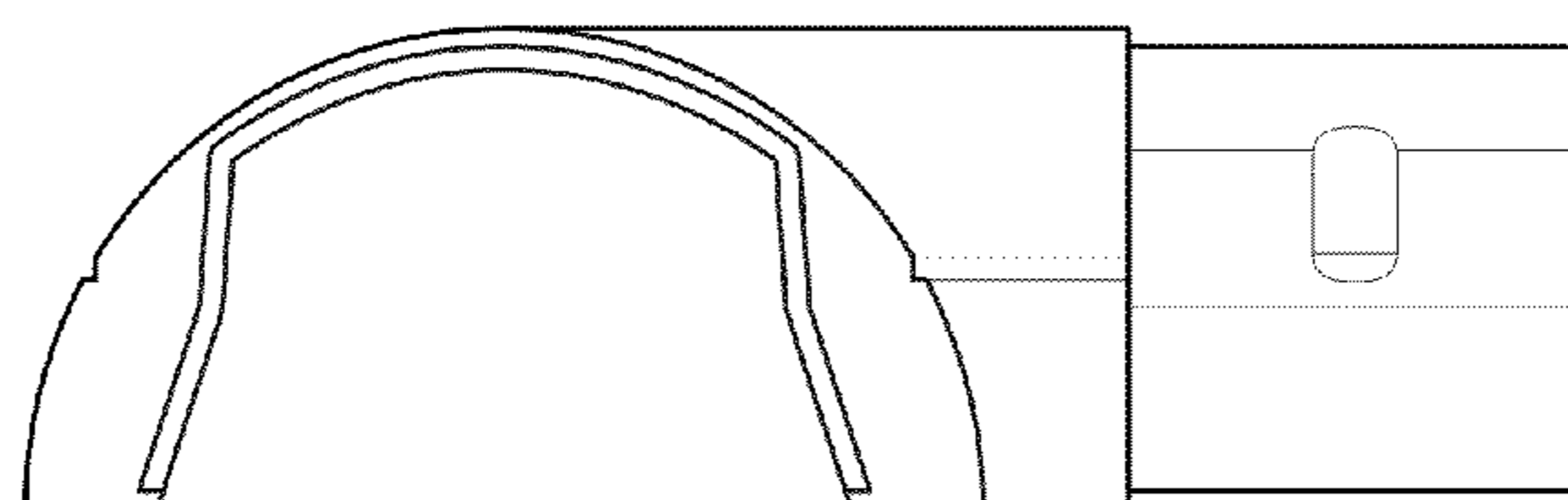


FIG. 2

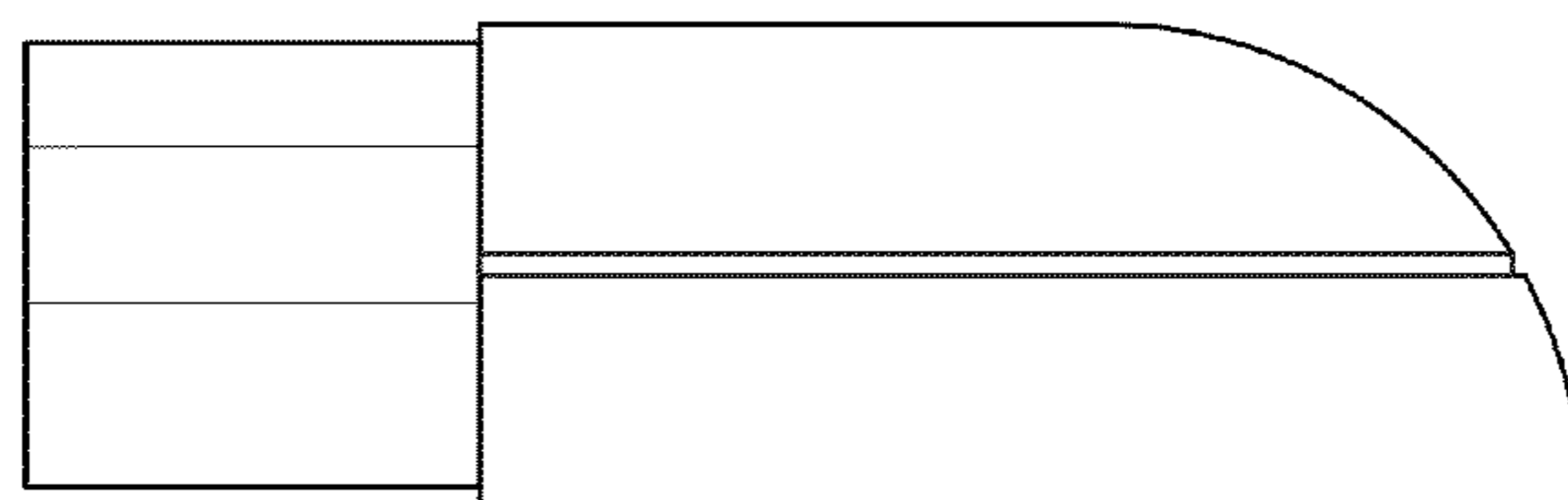


FIG. 3

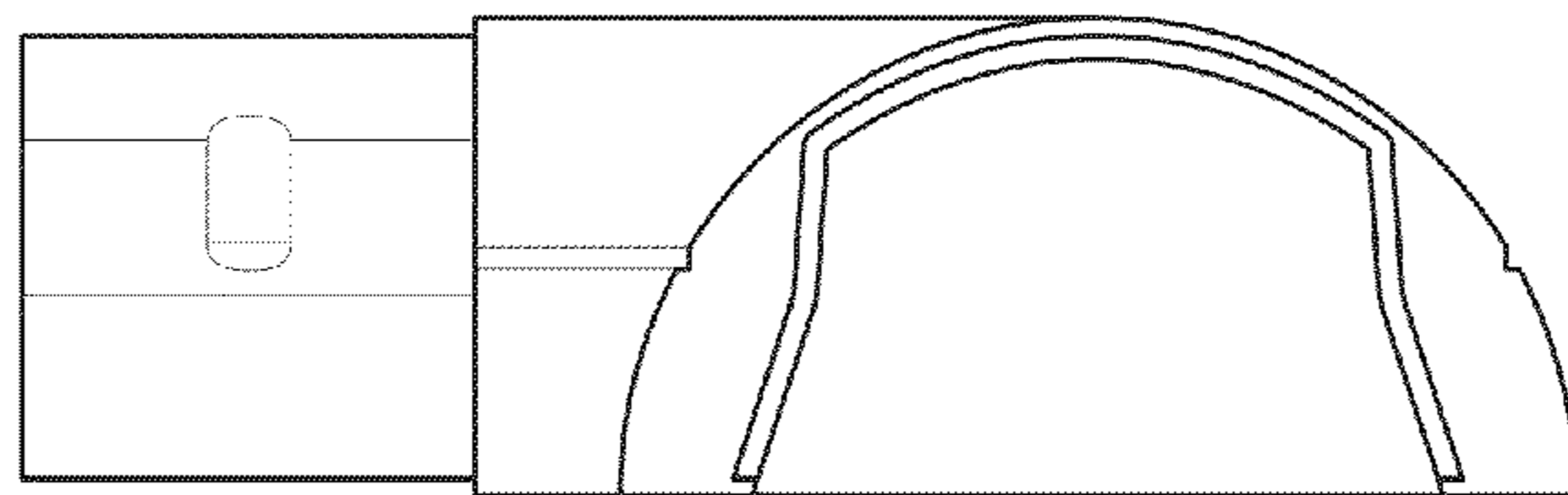


FIG. 4

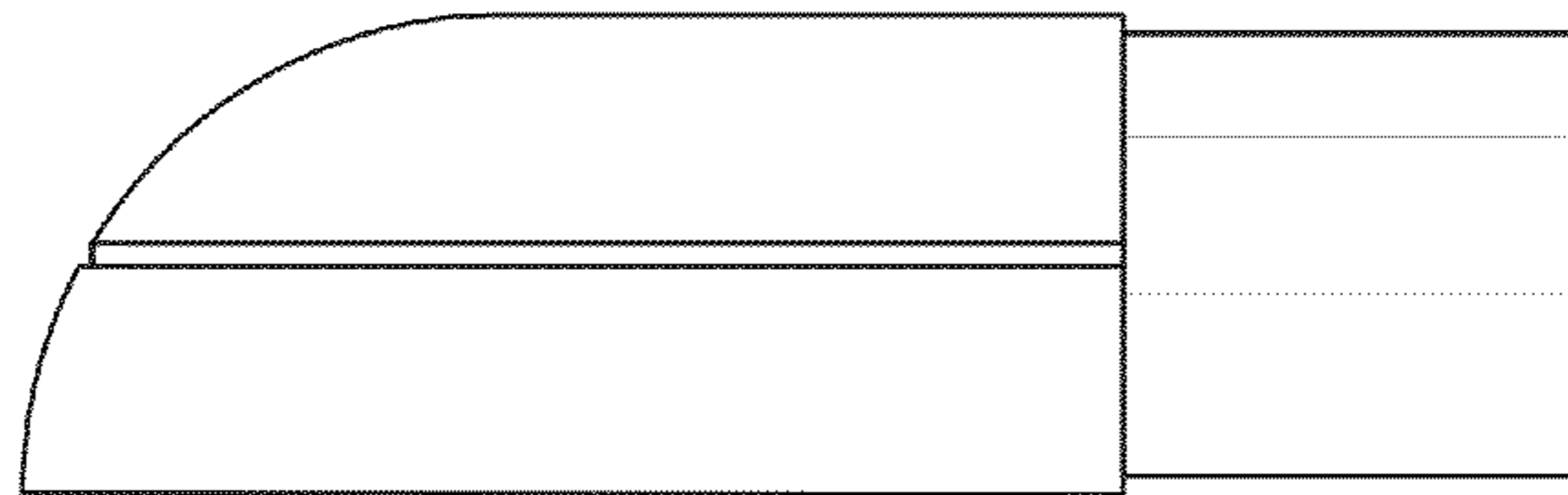


FIG. 5

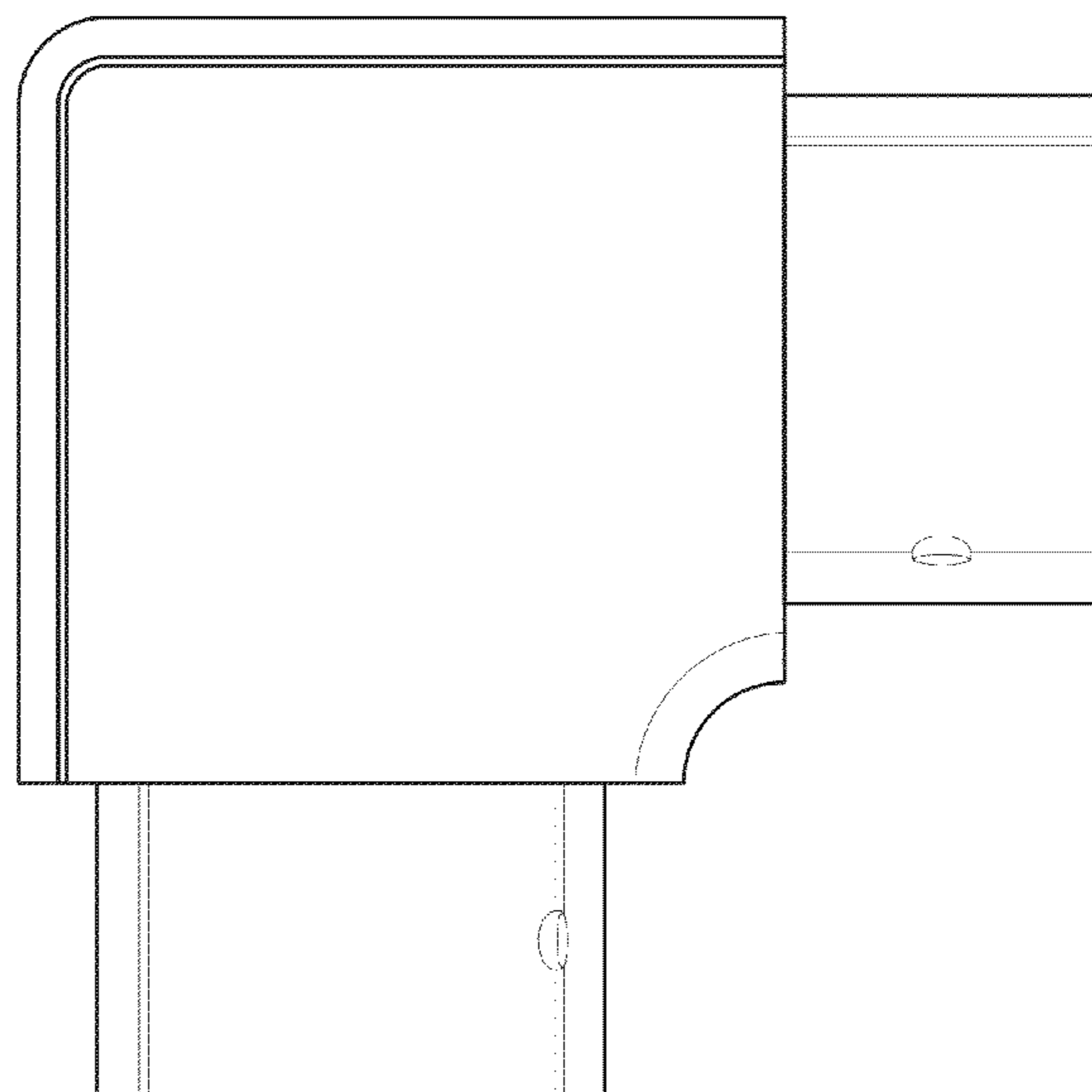


FIG. 6

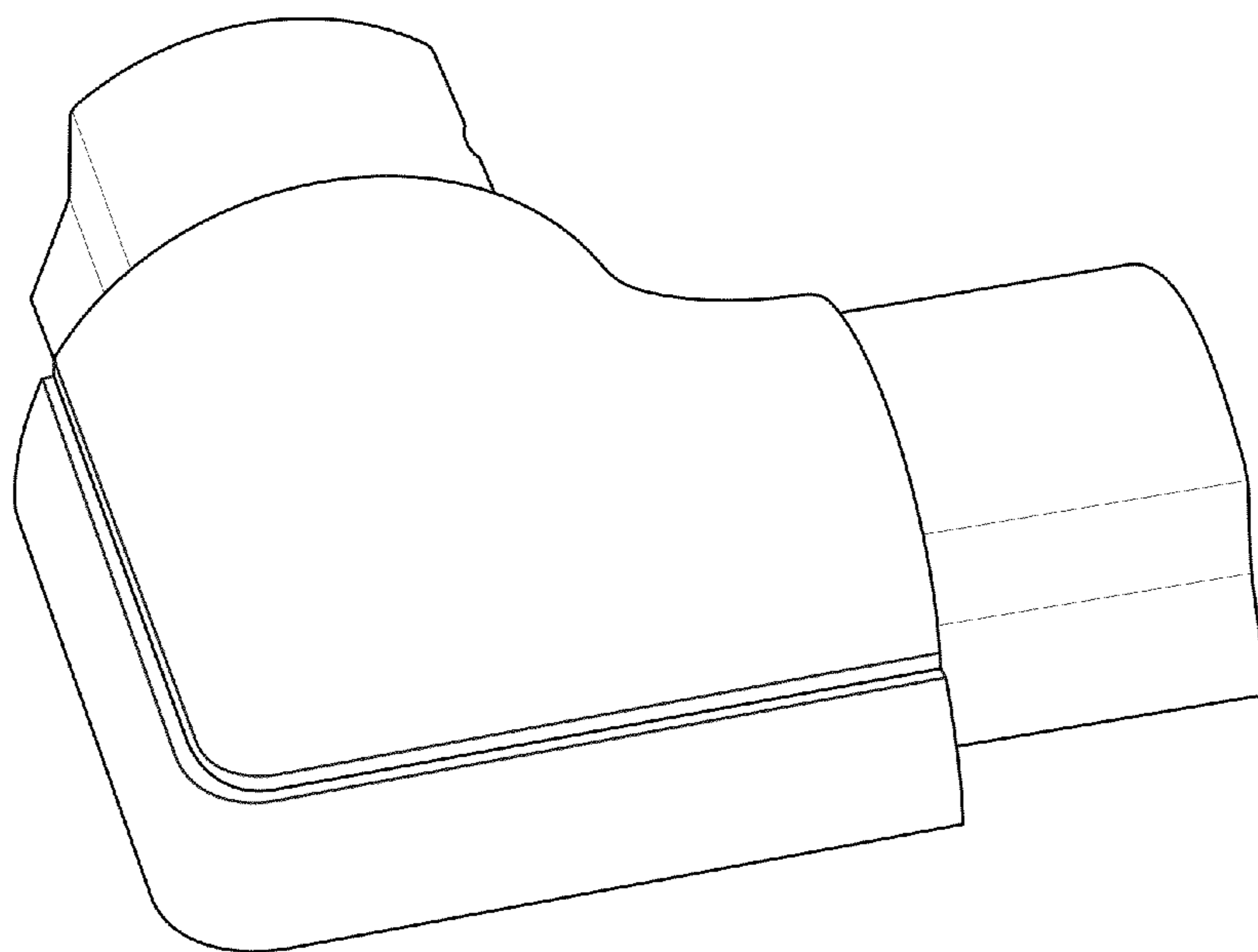


FIG. 7