



US00D669033S

(12) **United States Design Patent**
Senk et al.

(10) **Patent No.:** **US D669,033 S**
(45) **Date of Patent:** **** Oct. 16, 2012**

(54) **CHARGE COUPLER HANDLE**

(75) Inventors: **Joseph Matthew Senk**, Cortland, OH (US); **Brian D. Pasha**, Cortland, OH (US); **Steven William Marzo**, Cortland, OH (US); **Ronald Henry Dybalski**, Oxford, MI (US)

(73) Assignee: **Delphi Technologies, Inc.**, Troy, MI (US)

(**) Term: **14 Years**

(21) Appl. No.: **29/376,111**

(22) Filed: **Oct. 1, 2010**

(51) **LOC (9) Cl.** **13-03**

(52) **U.S. Cl.** **D13/146; D13/133; D13/147**

(58) **Field of Classification Search** D13/107-109, D13/118-119, 133, 146, 147, 154, 184, 199; D23/226; 320/104, 107-115, FOR. 104, 320/FOR. 119, DIG. 35

See application file for complete search history.

(56) **References Cited**

U.S. PATENT DOCUMENTS

5,350,312 A * 9/1994 Kuno et al. 439/310
D390,827 S * 2/1998 Sekimori et al. D13/146

D636,334 S * 4/2011 Kato et al. D13/119
8,016,607 B2 * 9/2011 Brown, II 439/353
D655,242 S * 3/2012 Holthusen D13/107
2011/0145141 A1 * 6/2011 Blain 705/39

* cited by examiner

Primary Examiner — Daniel Bui

(74) *Attorney, Agent, or Firm* — Paul W. Thiede

(57) **CLAIM**

The ornamental design for a charge coupler handle, as shown and described.

DESCRIPTION

FIG. 1 is a perspective view of a left side of a charge coupler handle showing our new design;

FIG. 2 is a perspective view of a right side of the charge coupler handle thereof;

FIG. 3 is a front view thereof;

FIG. 4 is a back view thereof;

FIG. 5 is a left side view thereof;

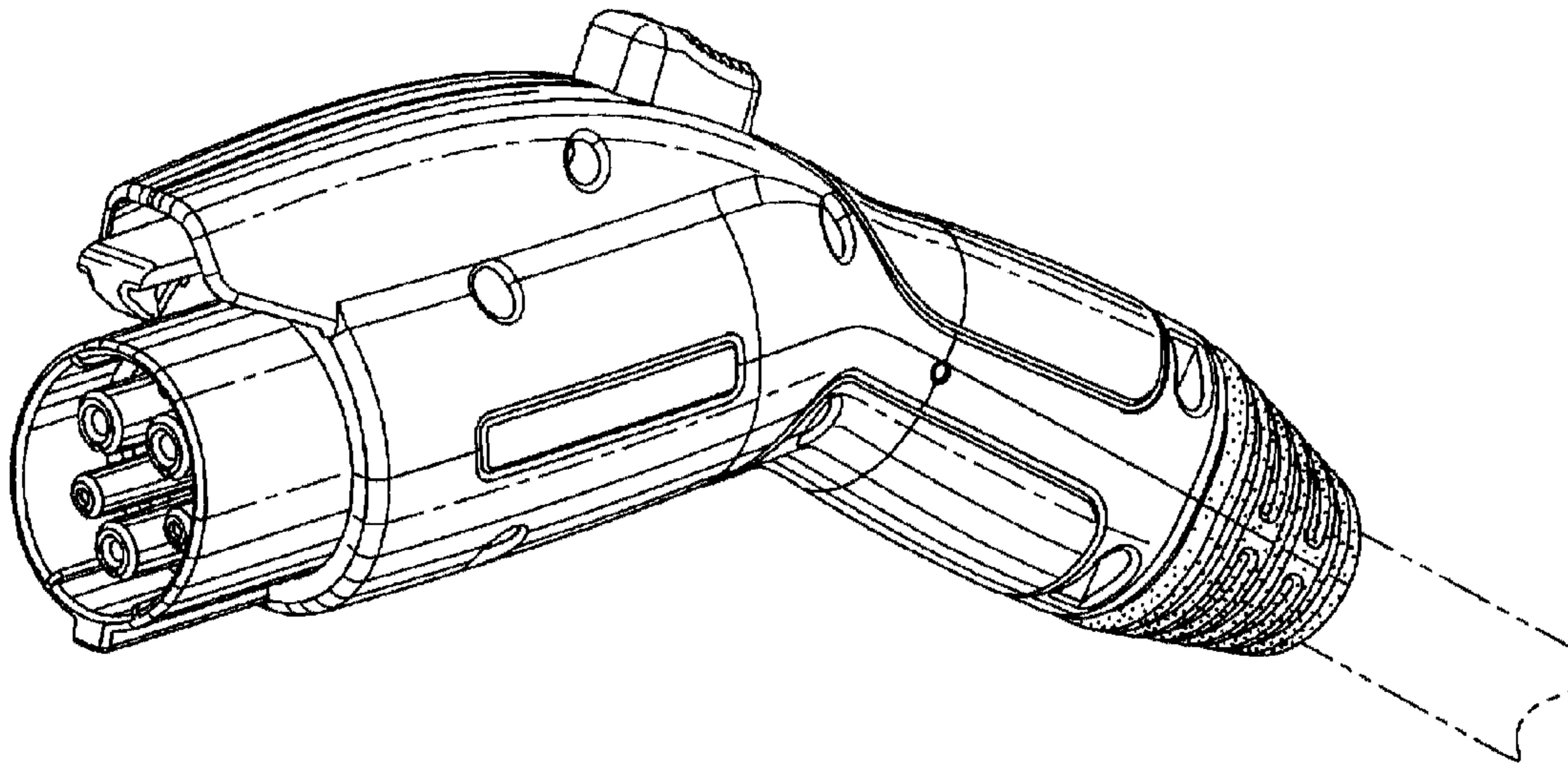
FIG. 6 is a right side view thereof;

FIG. 7 is a top plan view thereof; and,

FIG. 8 is a bottom plan view thereof.

The broken line portion of the figure drawings is included for the purpose of illustrating environment and forms no part of the claimed design.

1 Claim, 3 Drawing Sheets



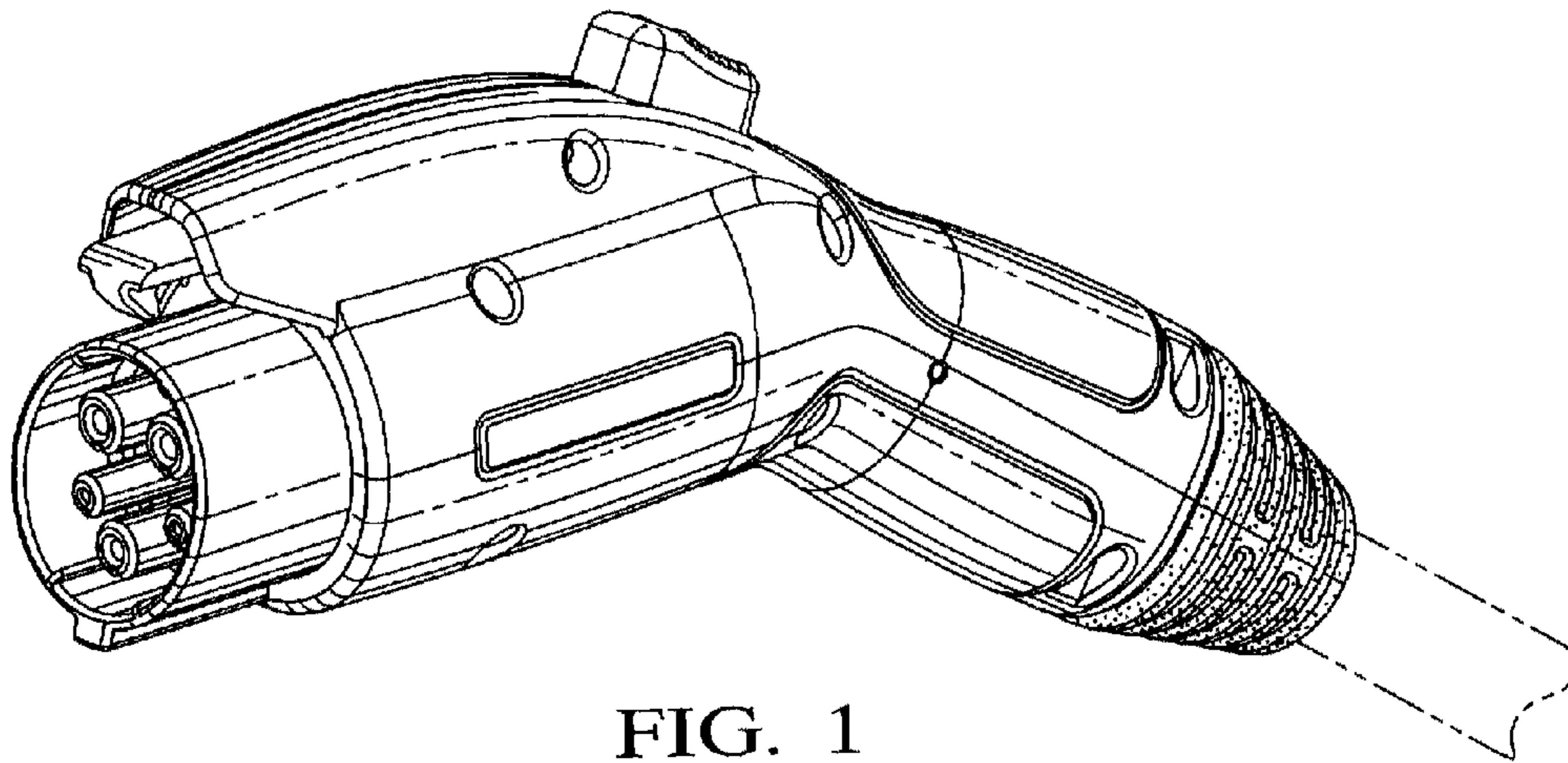


FIG. 1

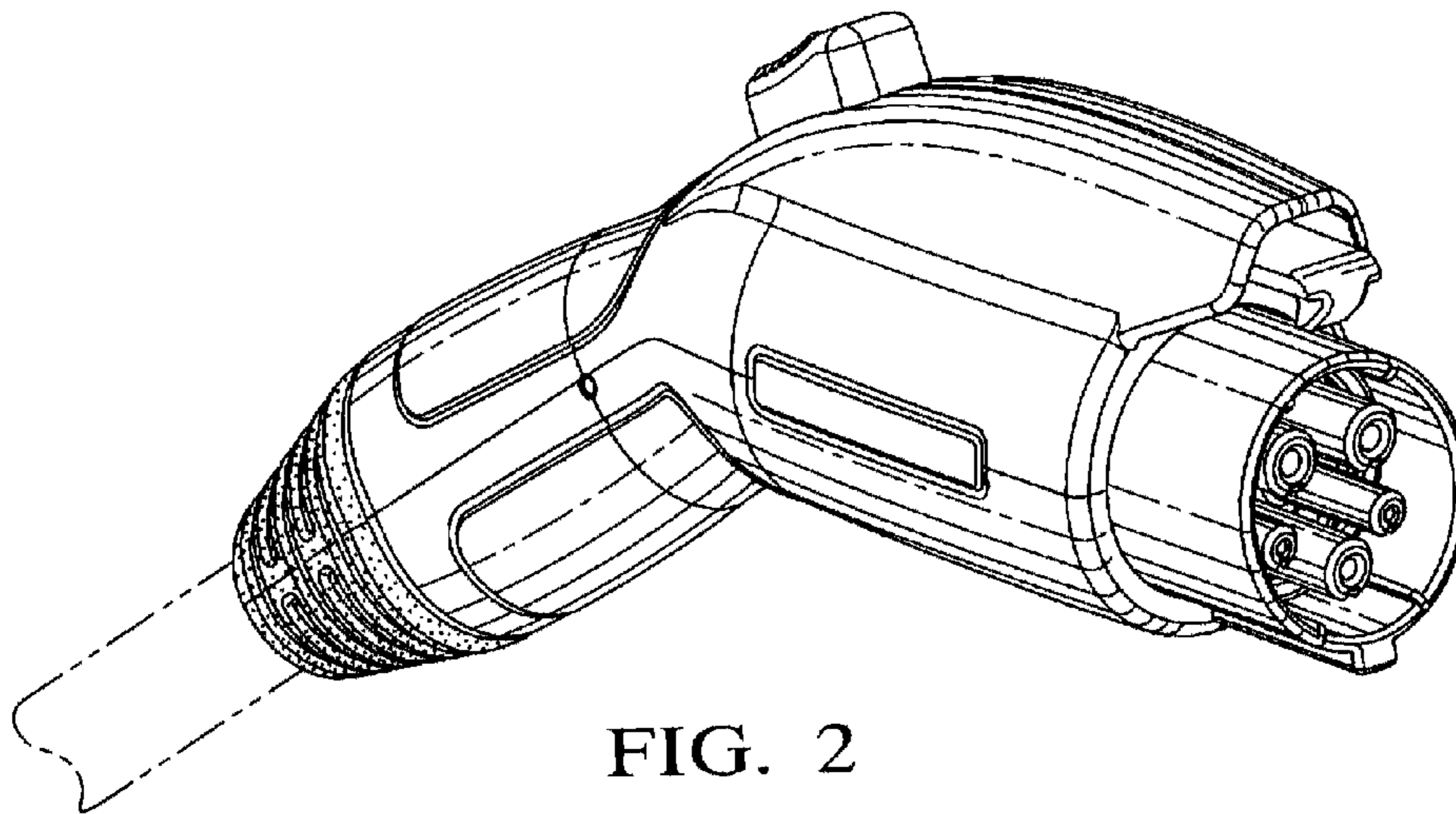


FIG. 2

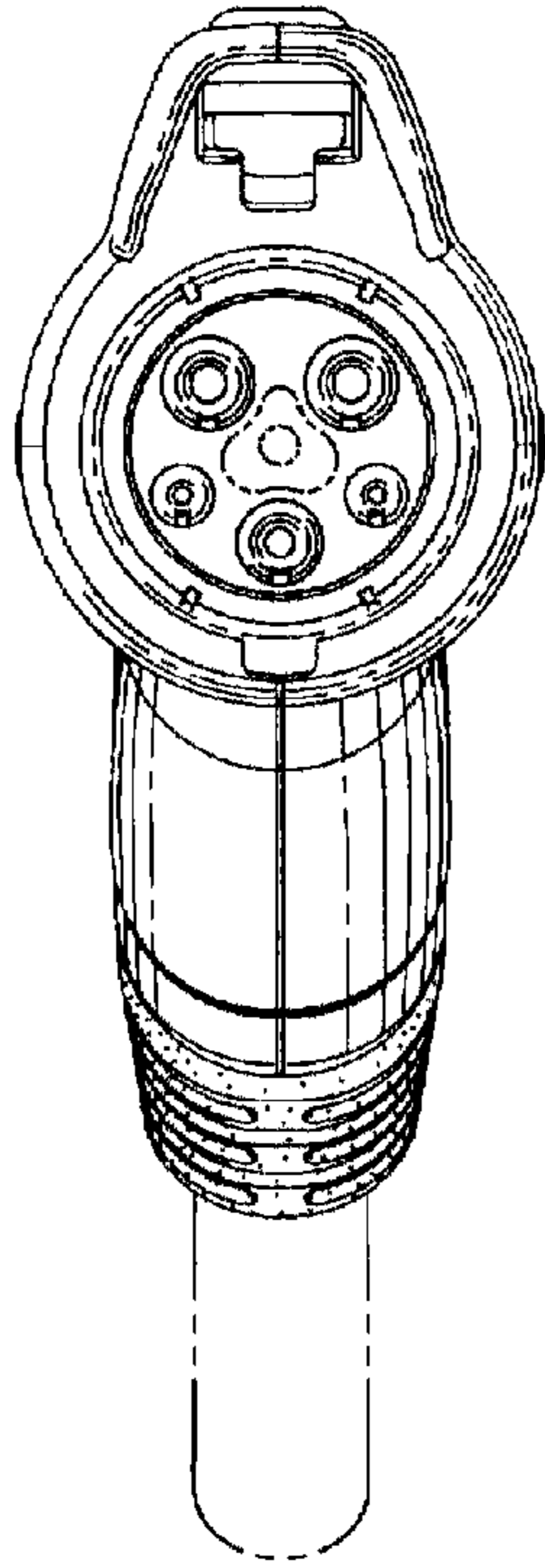


FIG. 3

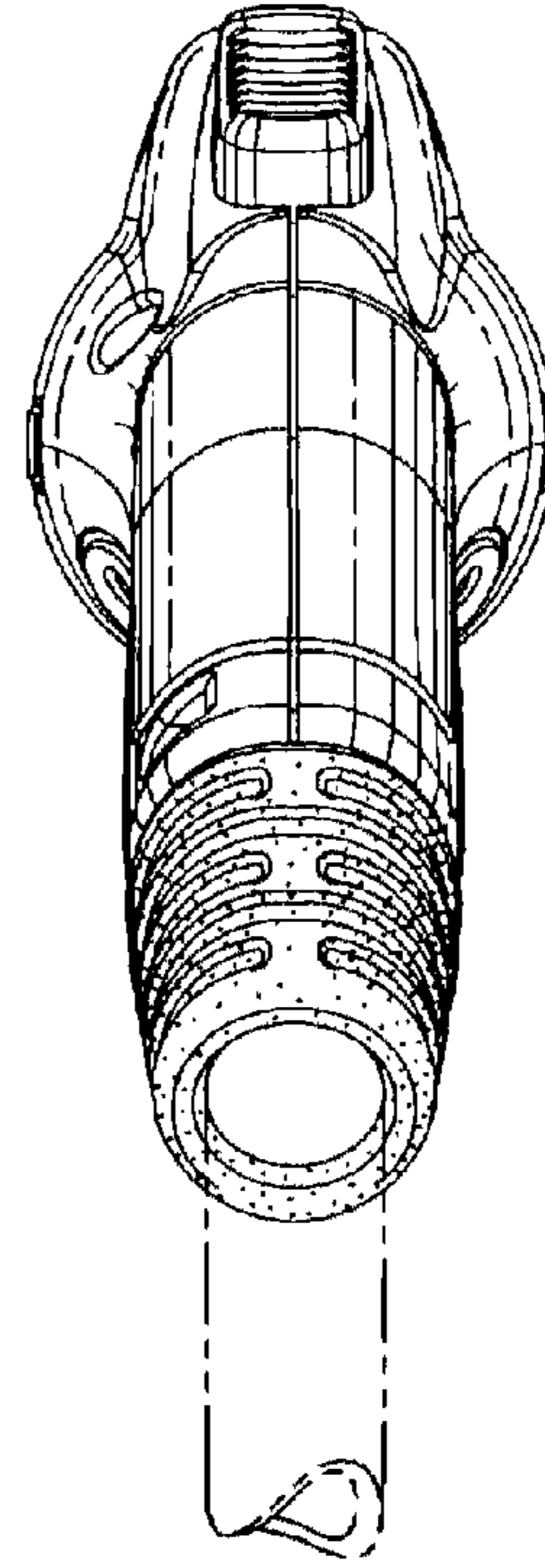


FIG. 4

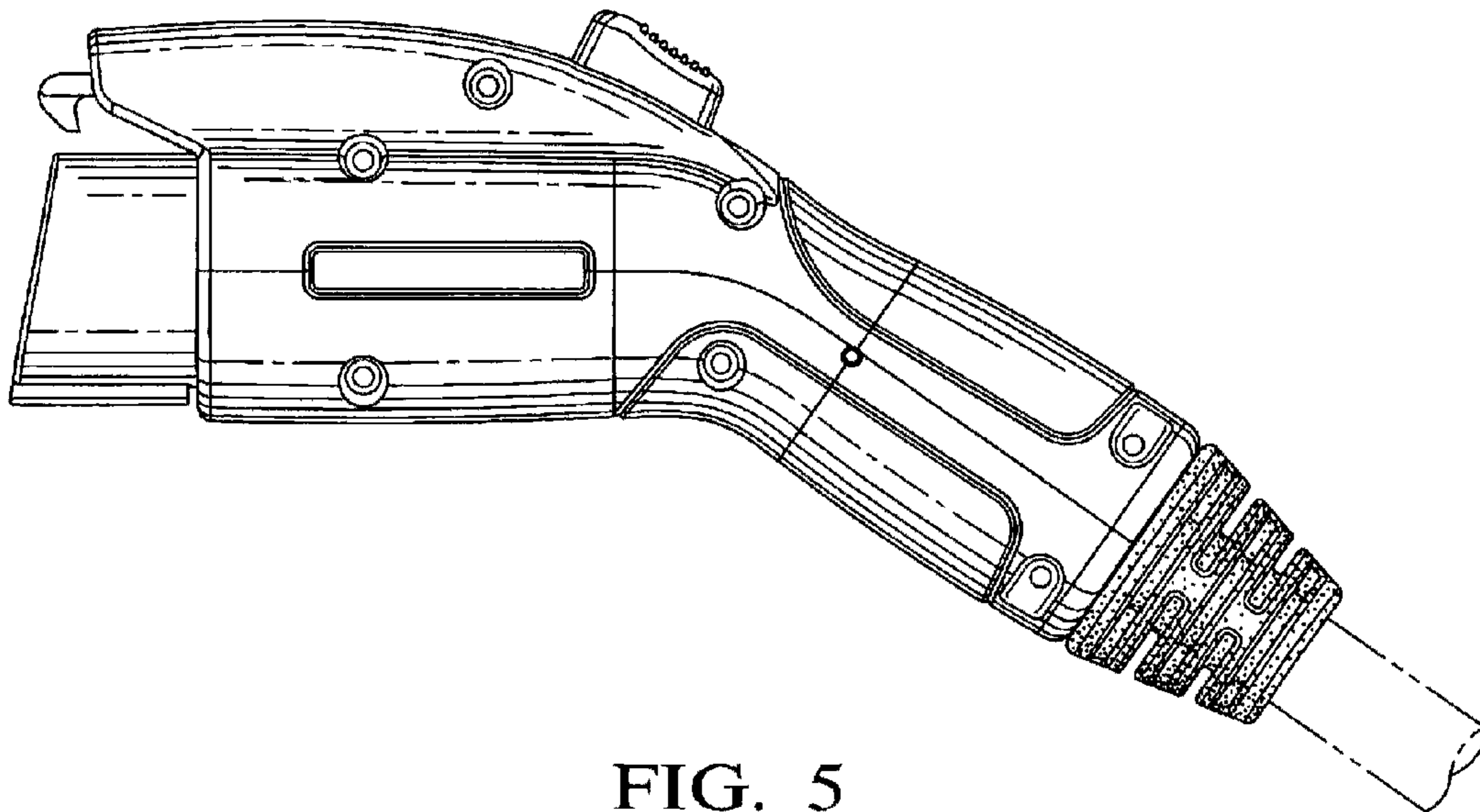


FIG. 5

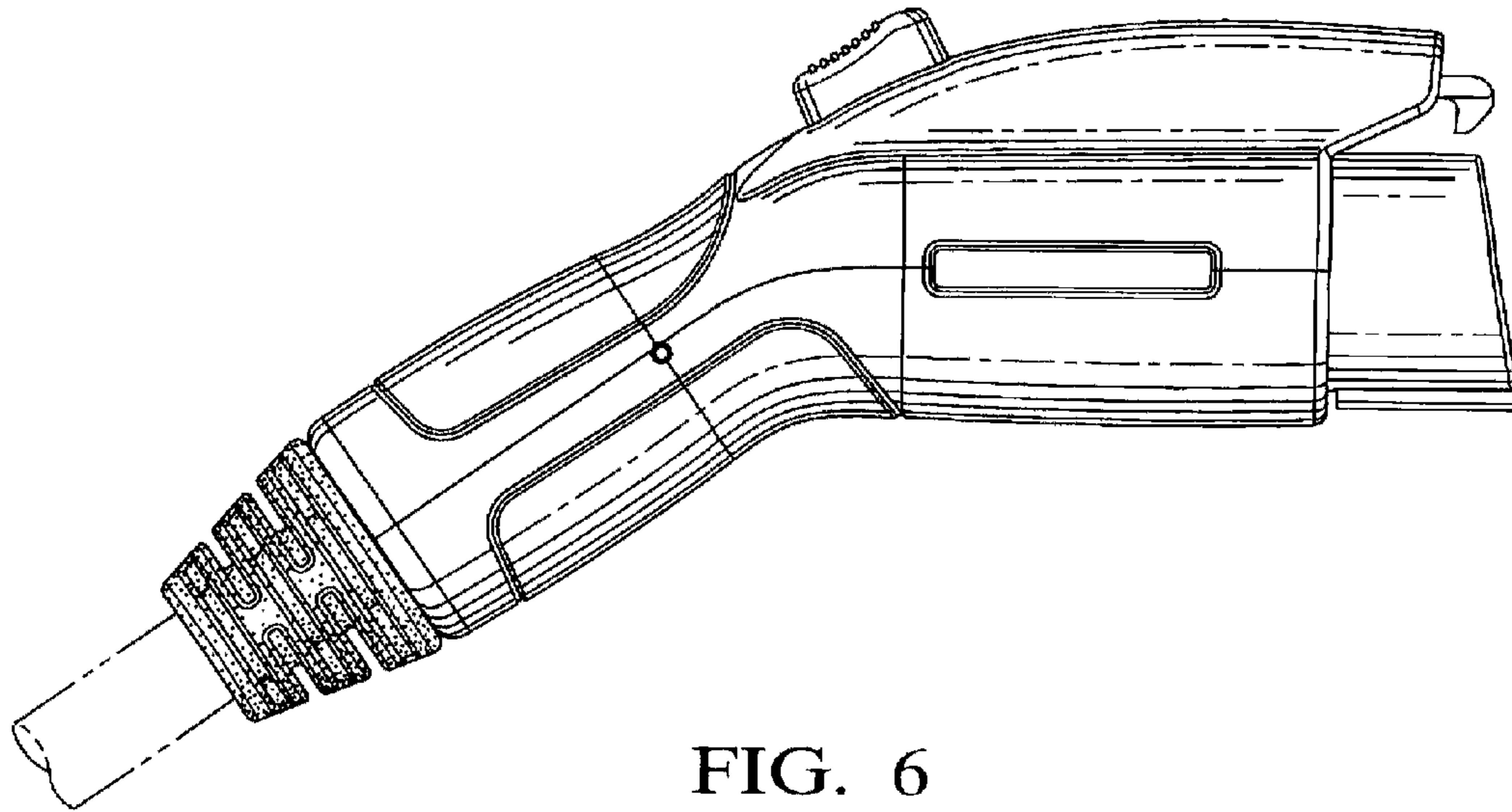


FIG. 6

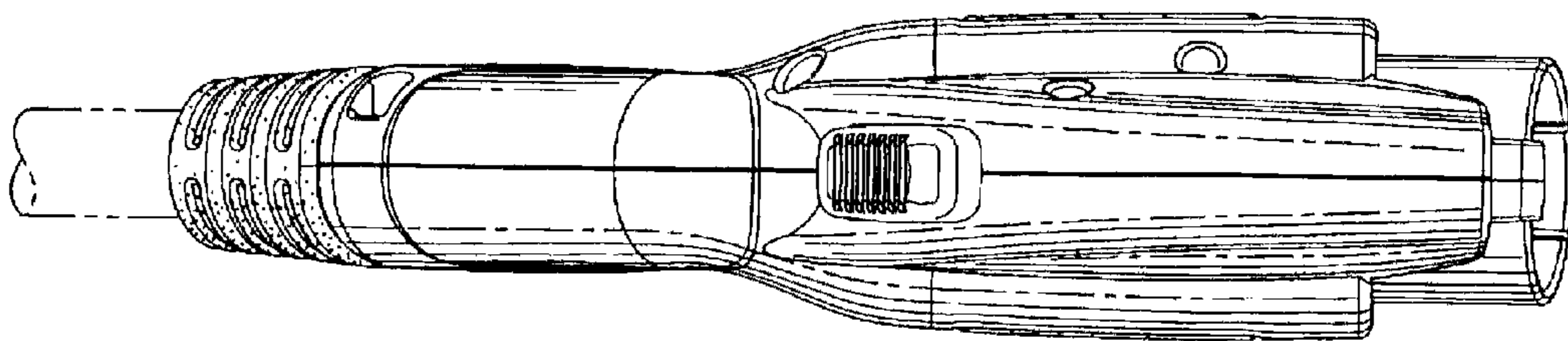


FIG. 7

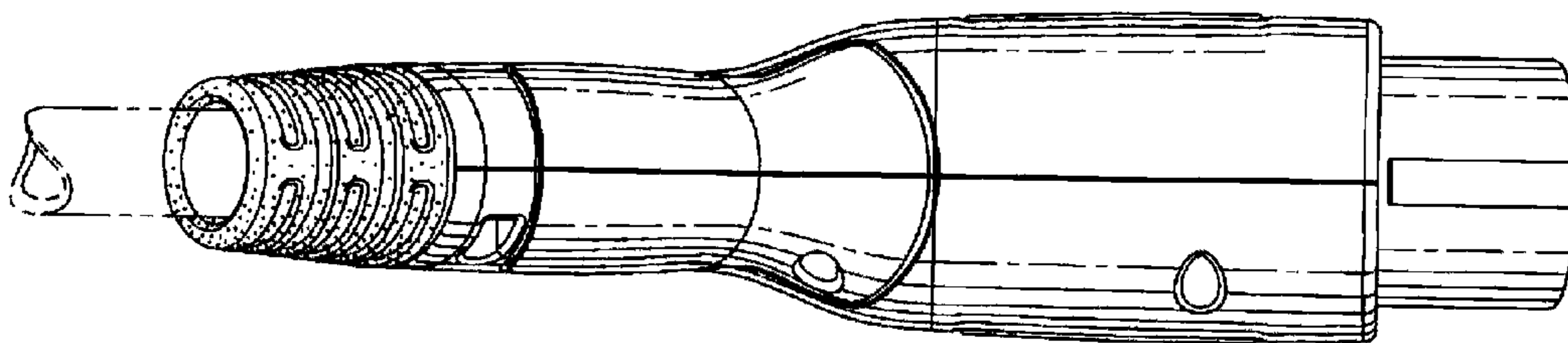


FIG. 8