



US00D669032S

(12) **United States Design Patent**
Anwar et al.

(10) **Patent No.:** **US D669,032 S**
(45) **Date of Patent:** **** Oct. 16, 2012**

(54) **FLOW BLOCKING SHADOW FRAME SUPPORT**

(75) Inventors: **Suhail Anwar**, San Jose, CA (US); **John M. White**, Hayward, CA (US); **Soo Young Choi**, Fremont, CA (US); **Gaku Furuta**, Sunnyvale, CA (US); **Shinichi Kurita**, San Jose, CA (US); **Carl Sorenson**, Morgan Hill, CA (US); **Robin L. Tiner**, Santa Cruz, CA (US)

(73) Assignee: **Applied Materials, Inc.**, Santa Clara, CA (US)

(**) Term: **14 Years**

(21) Appl. No.: **29/353,503**

(22) Filed: **Jan. 9, 2010**

(51) **LOC (9) Cl.** **13-02**

(52) **U.S. Cl.** **D13/118; D13/102**

(58) **Field of Classification Search** D13/118, D13/101, 102, 120, 180, 182, 199; D8/349, D8/354, 363, 364, 380, 381; D25/119, 123, D25/131, 133; 52/655.1, 656.2, 656.6; 248/235, 248/237, 245, 247; 428/430, 848.5
See application file for complete search history.

(56) **References Cited**

U.S. PATENT DOCUMENTS

D279,283 S * 6/1985 Tate D13/118
6,773,562 B1 * 8/2004 Inagawa et al. 204/298.15
D547,262 S * 7/2007 Ullman D13/102

D560,605 S * 1/2008 McClintock et al. D13/102
D608,742 S * 1/2010 Tiner D13/182
D627,625 S * 11/2010 Anwar et al. D8/363
D627,717 S * 11/2010 Munoz et al. D13/102
2006/0011137 A1 * 1/2006 Keller 118/720
* cited by examiner

Primary Examiner — Derrick Holland

(74) *Attorney, Agent, or Firm* — Patterson & Sheridan, LLP

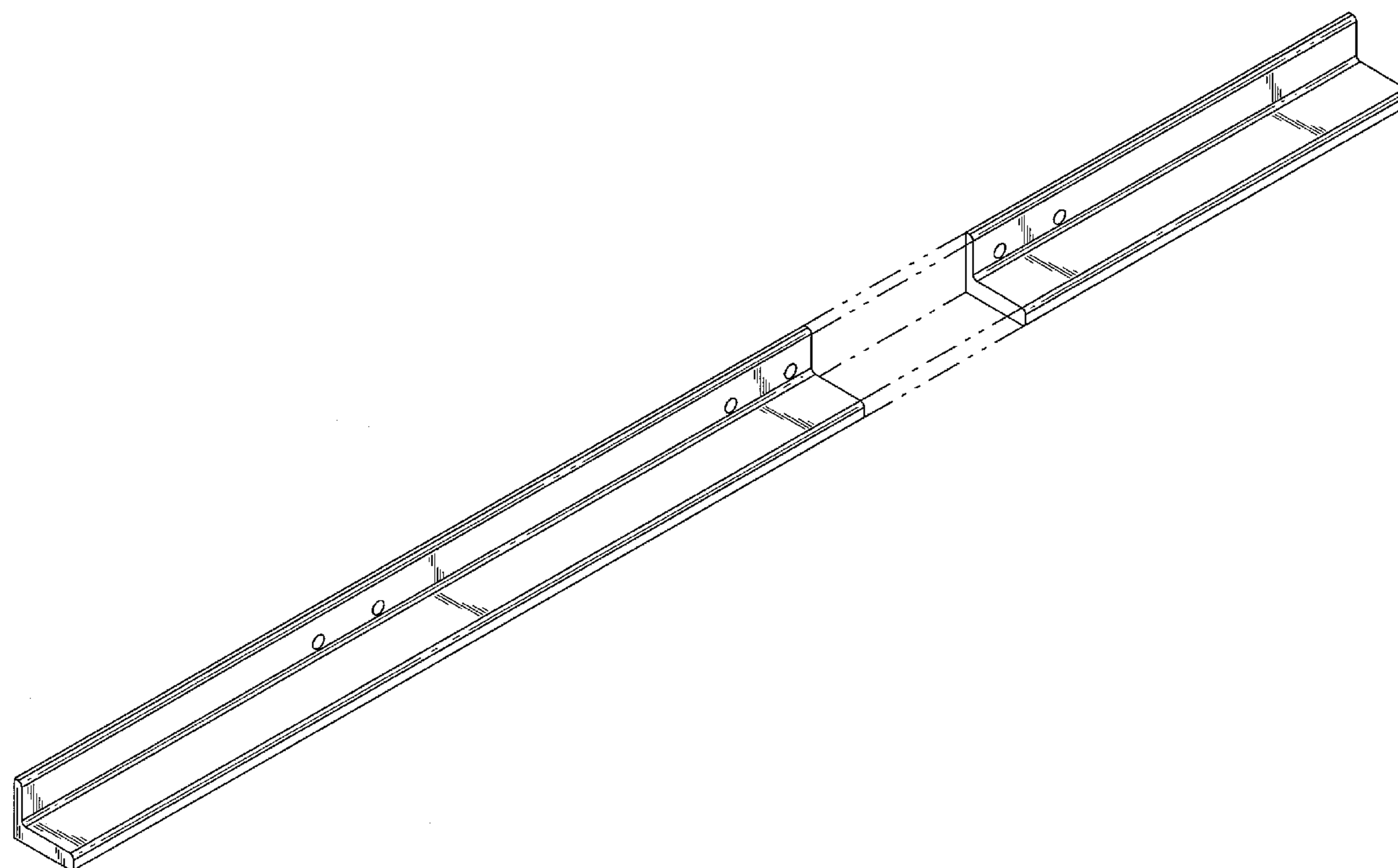
(57) **CLAIM**

The ornamental design for a flow blocking shadow frame support, as shown and described.

DESCRIPTION

FIG. 1 is a front and top perspective of a flow blocking shadow frame support showing our new design, with a portion omitted to show the ends in sufficient detail;
FIG. 2 is an enlarged fragmental back and top perspective view thereof;
FIG. 3 is a side elevation view thereof, the opposite side being a mirror image;
FIG. 4 is a rear elevation view thereof, with one enlarged section shown for ease of illustration;
FIG. 5 is a top plan view thereof, with one enlarged section shown for ease of illustration;
FIG. 6 is a front elevation view thereof; and,
FIG. 7 is a bottom plan view thereof.
The broken lines shown in FIGS. 1-2 represent indeterminate width. The broken lines in FIGS. 4-5 represent unclaimed subject matter and form no part of the claimed design.

1 Claim, 4 Drawing Sheets



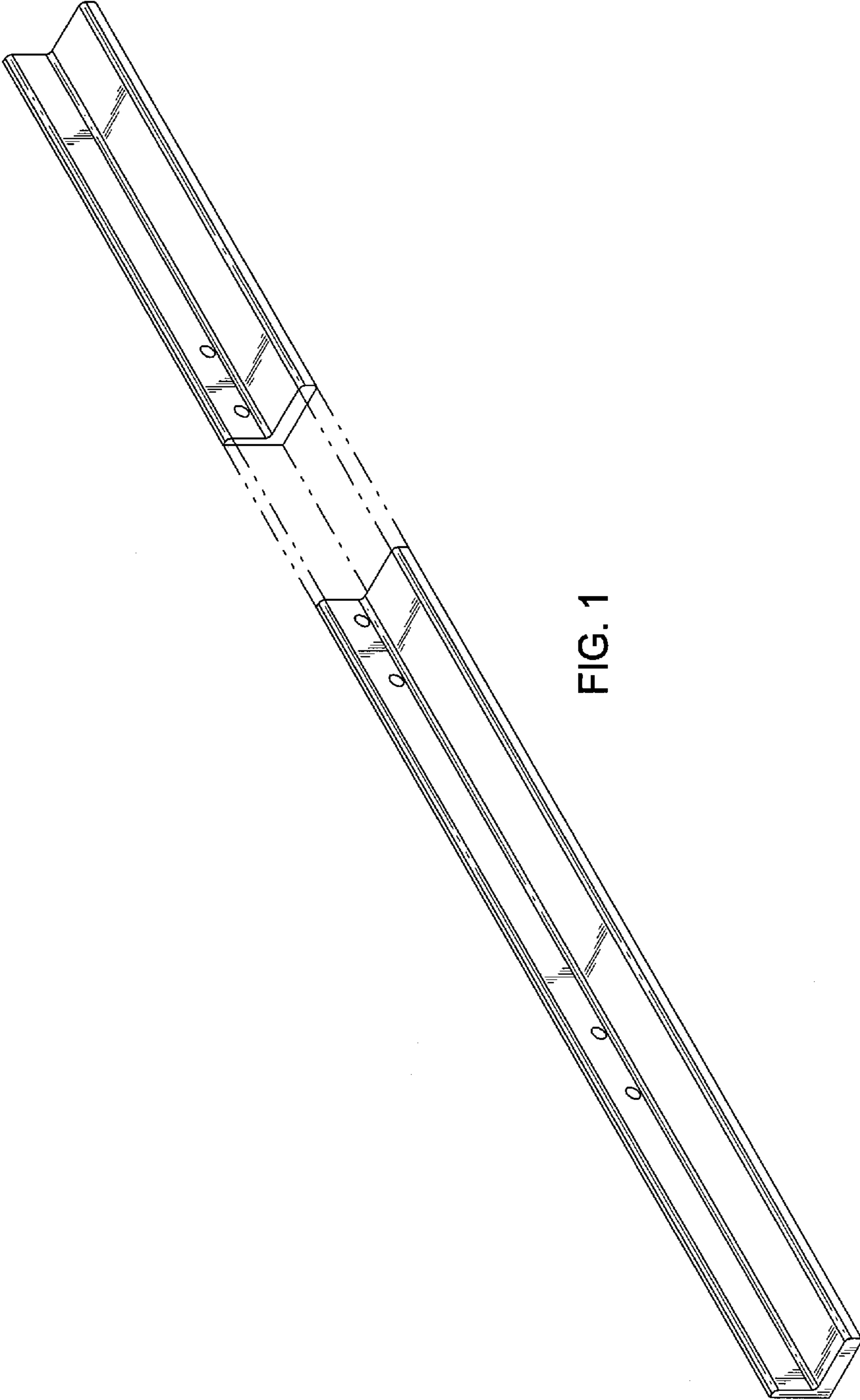


FIG. 1

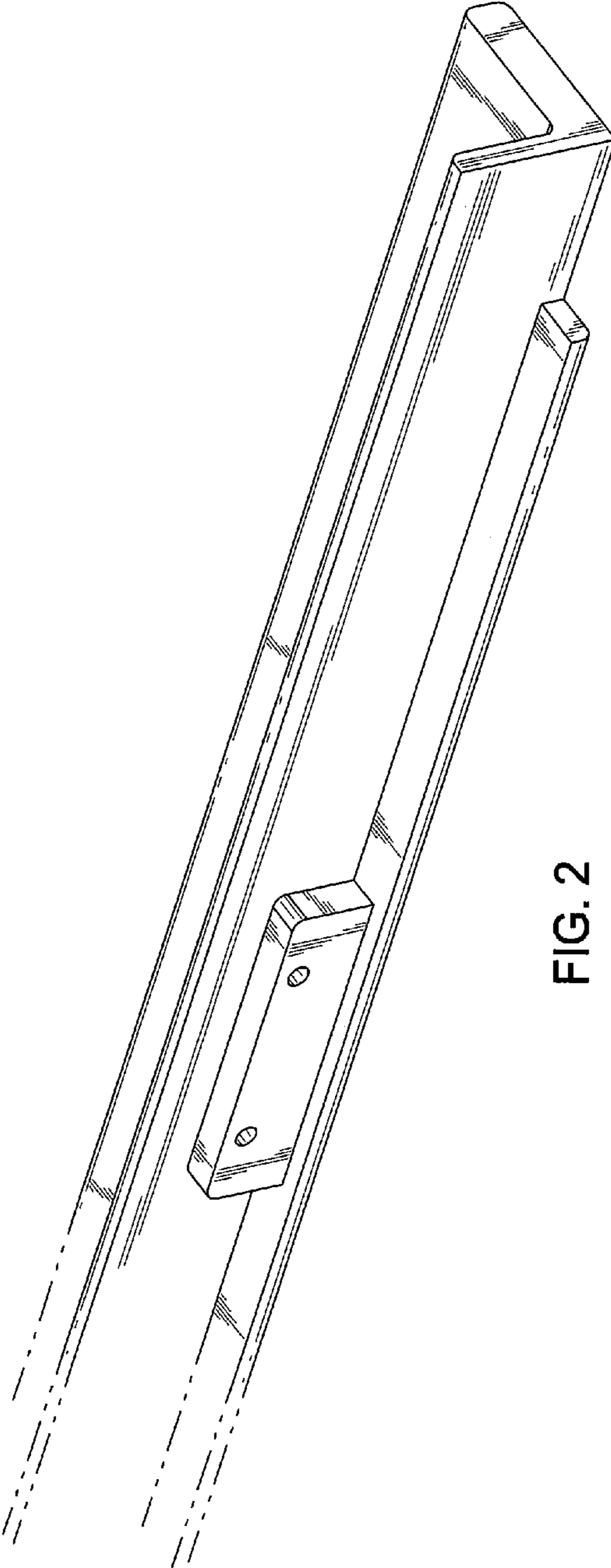


FIG. 2

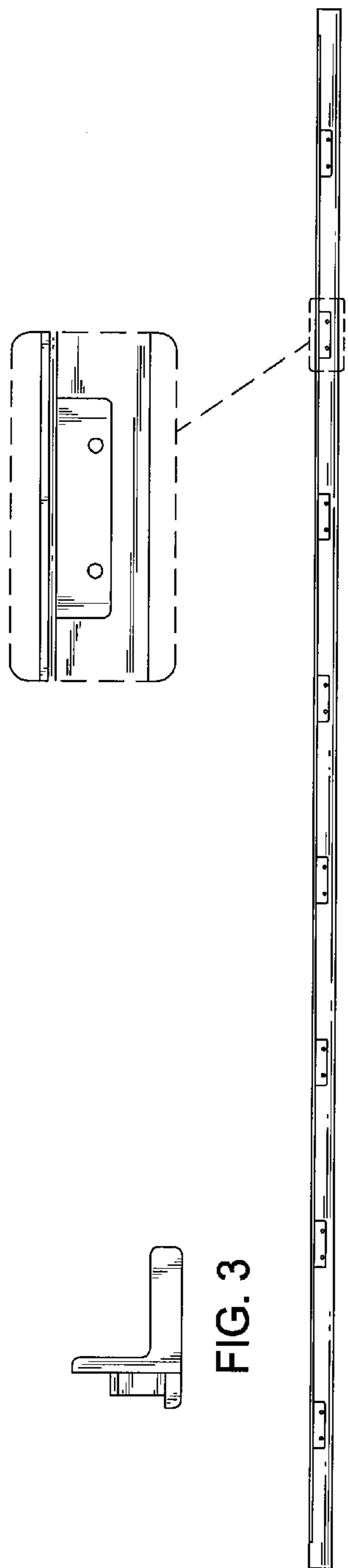
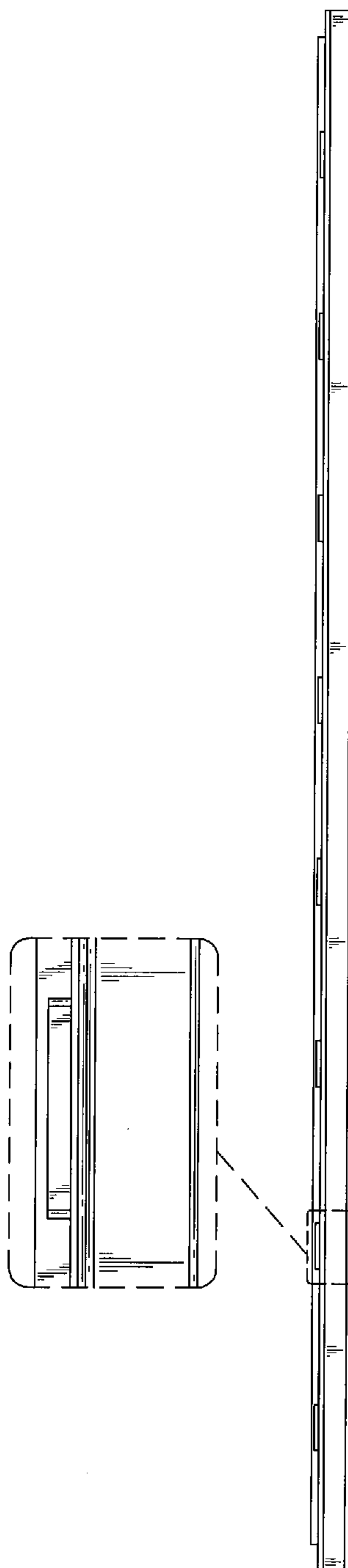


FIG. 4



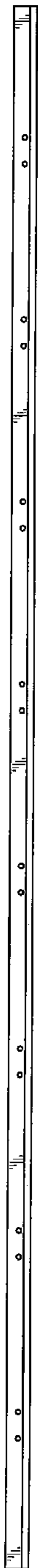


FIG. 6



FIG. 7