



US00D669029S

(12) **United States Design Patent**  
**Huang**

(10) **Patent No.:** **US D669,029 S**

(45) **Date of Patent:** **\*\* Oct. 16, 2012**

(54) **TAP PLUG**

(75) Inventor: **Chih-Hua Huang**, New Taipei (TW)

(73) Assignees: **Askey Technology (Jiangsu) Ltd.** (CN);  
**Askey Computer Corp.** (TW)

(\*\*) Term: **14 Years**

(21) Appl. No.: **29/416,535**

(22) Filed: **Mar. 23, 2012**

(30) **Foreign Application Priority Data**

Feb. 24, 2012 (TW) ..... 101300975

(51) **LOC (9) Cl.** ..... **13-02**

(52) **U.S. Cl.** ..... **D13/110**

(58) **Field of Classification Search** ..... D13/110,  
D13/107, 108, 118, 119, 123, 133, 137.1,  
D13/184, 199; D14/251, 432, 434; 174/53,  
174/54, 59, 61; 307/11, 150, 151; 320/107,  
320/111, 112, 113, 114, 115; 361/679.01;  
363/142, 146; 439/131, 172, 626, 628, 638

See application file for complete search history.

(56) **References Cited**

U.S. PATENT DOCUMENTS

|           |   |   |        |                 |       |         |
|-----------|---|---|--------|-----------------|-------|---------|
| D350,113  | S | * | 8/1994 | Nagele          | ..... | D13/110 |
| 5,613,863 | A | * | 3/1997 | Klaus et al.    | ..... | 439/131 |
| 6,086,395 | A | * | 7/2000 | Lloyd et al.    | ..... | 439/172 |
| D456,008  | S | * | 4/2002 | Kawanobe et al. | ..... | D13/110 |
| D593,031  | S | * | 5/2009 | Miyatake et al. | ..... | D13/110 |

\* cited by examiner

*Primary Examiner* — Derrick Holland

(74) *Attorney, Agent, or Firm* — Schmeiser, Olsen & Watts, LLP

(57) **CLAIM**

The ornamental design for a tap plug, as shown and described.

**DESCRIPTION**

FIG. 1 is a perspective view of a tap plug showing my new design;

FIG. 2 is a front elevational view thereof;

FIG. 3 is a rear elevational view thereof;

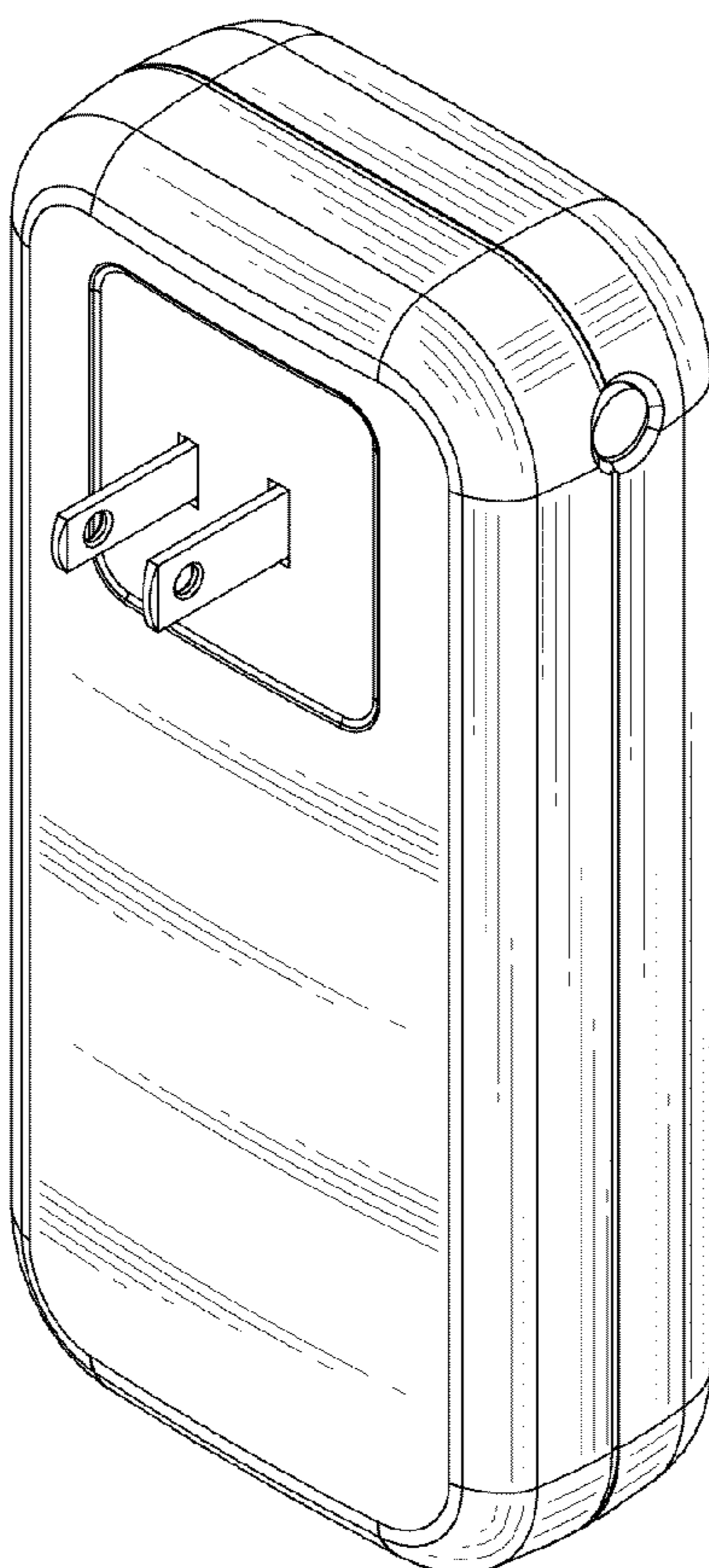
FIG. 4 is a left side elevational view thereof;

FIG. 5 is a right side elevational view thereof;

FIG. 6 is a top plan view thereof; and,

FIG. 7 is a bottom plan view thereof.

**1 Claim, 6 Drawing Sheets**



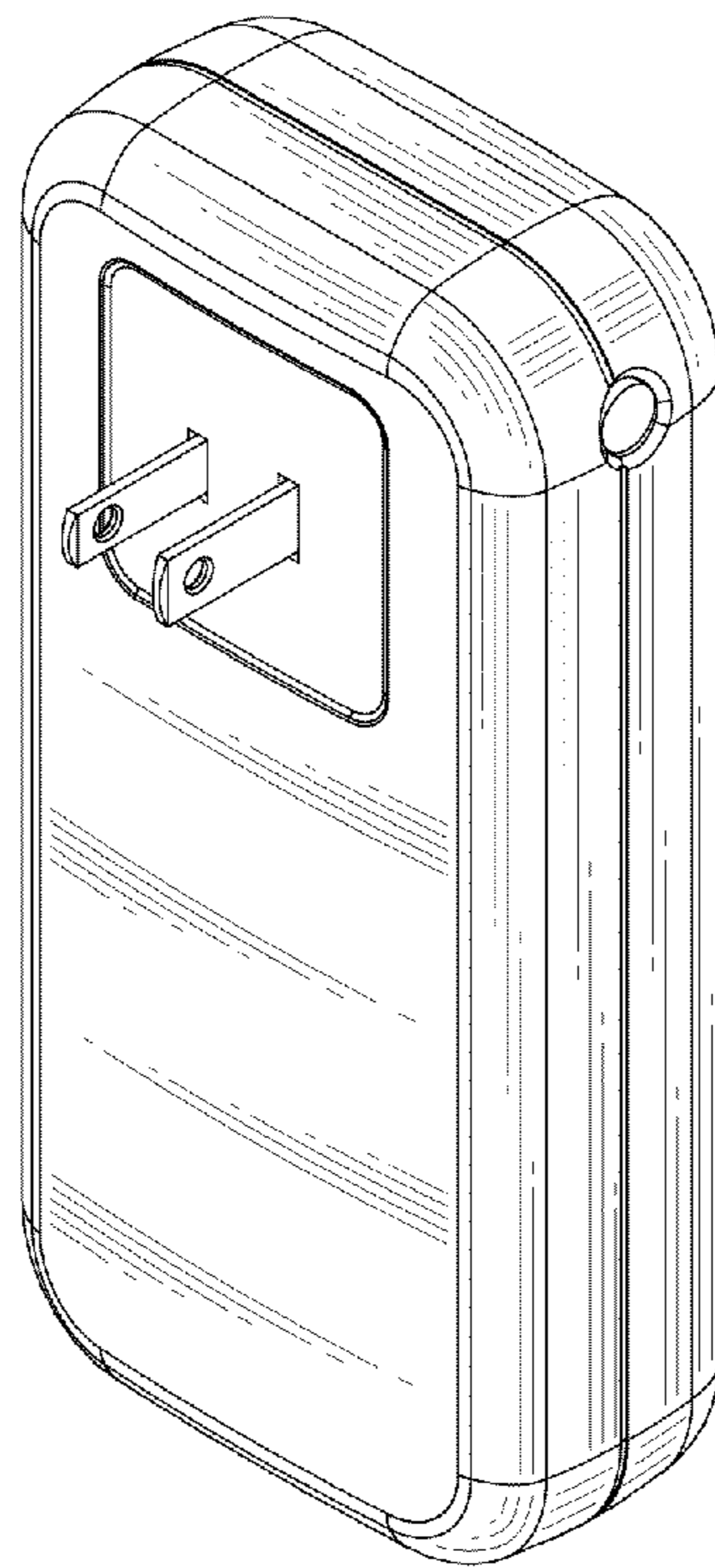


FIG. 1

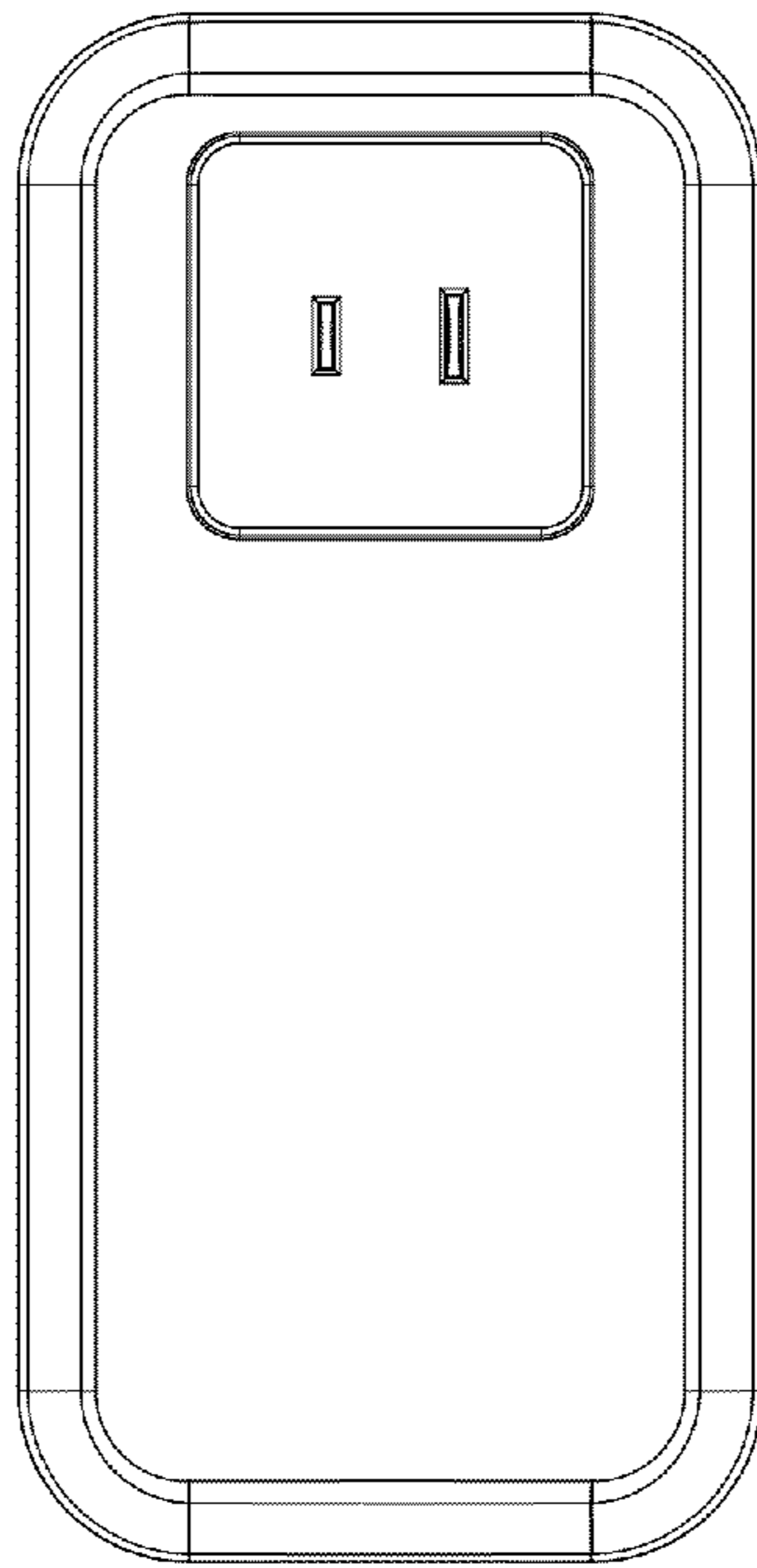


FIG. 2

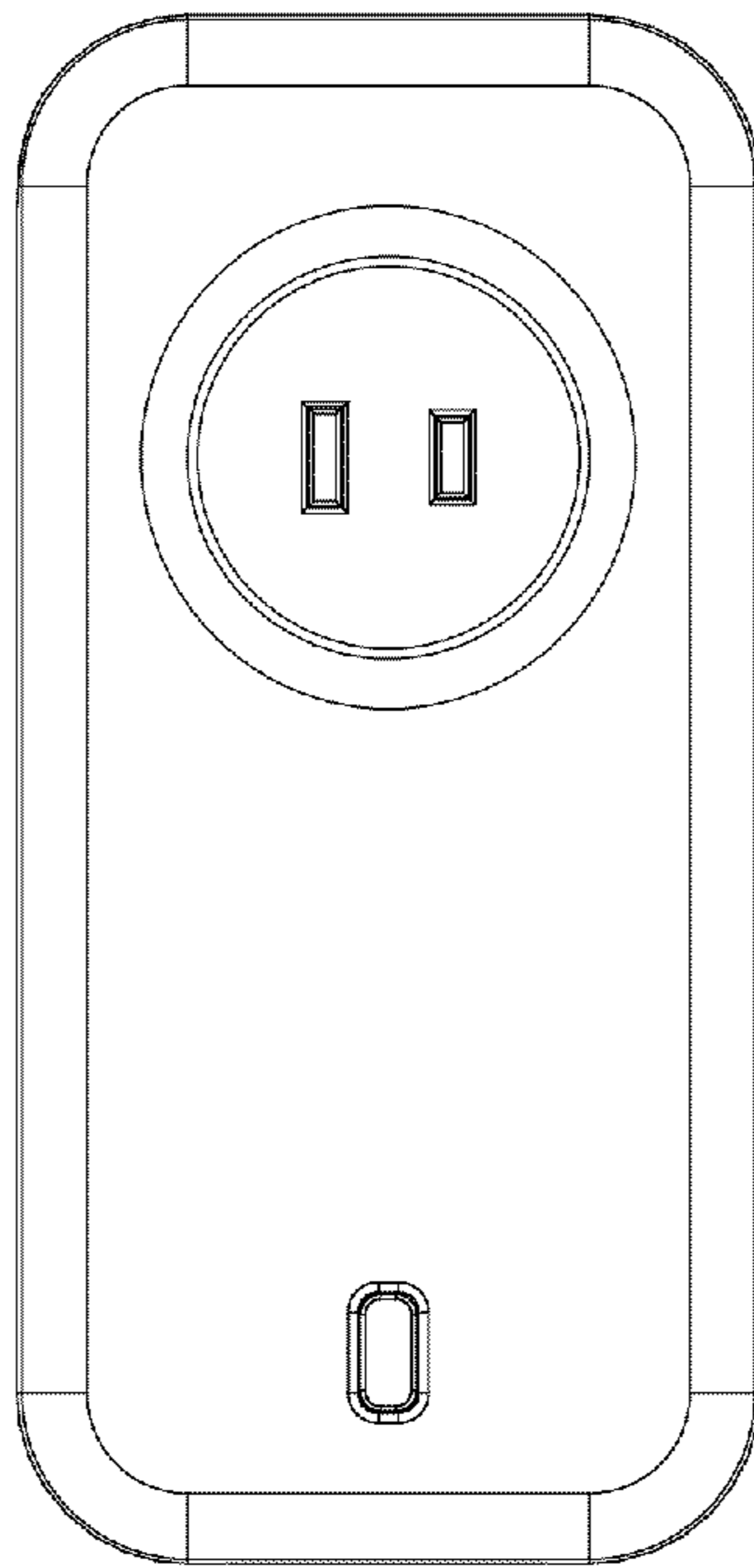


FIG. 3

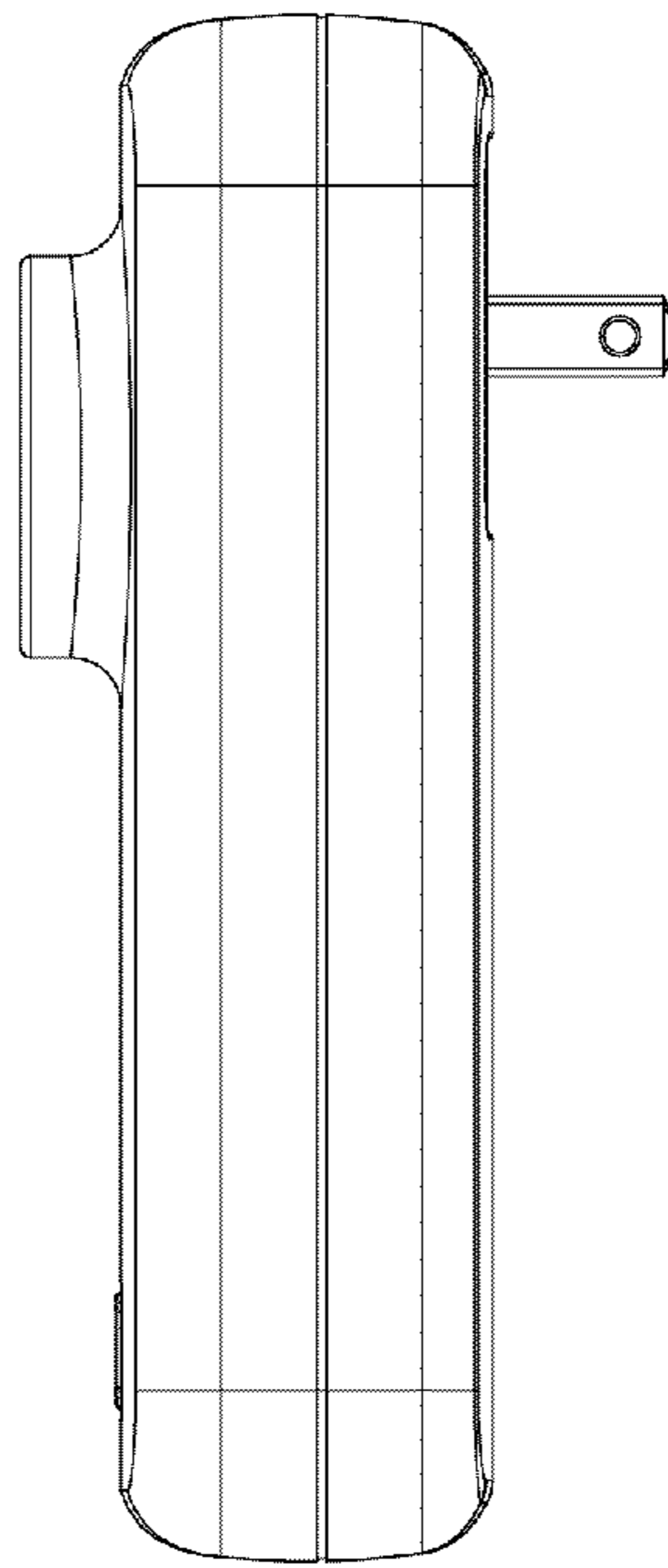


FIG. 4

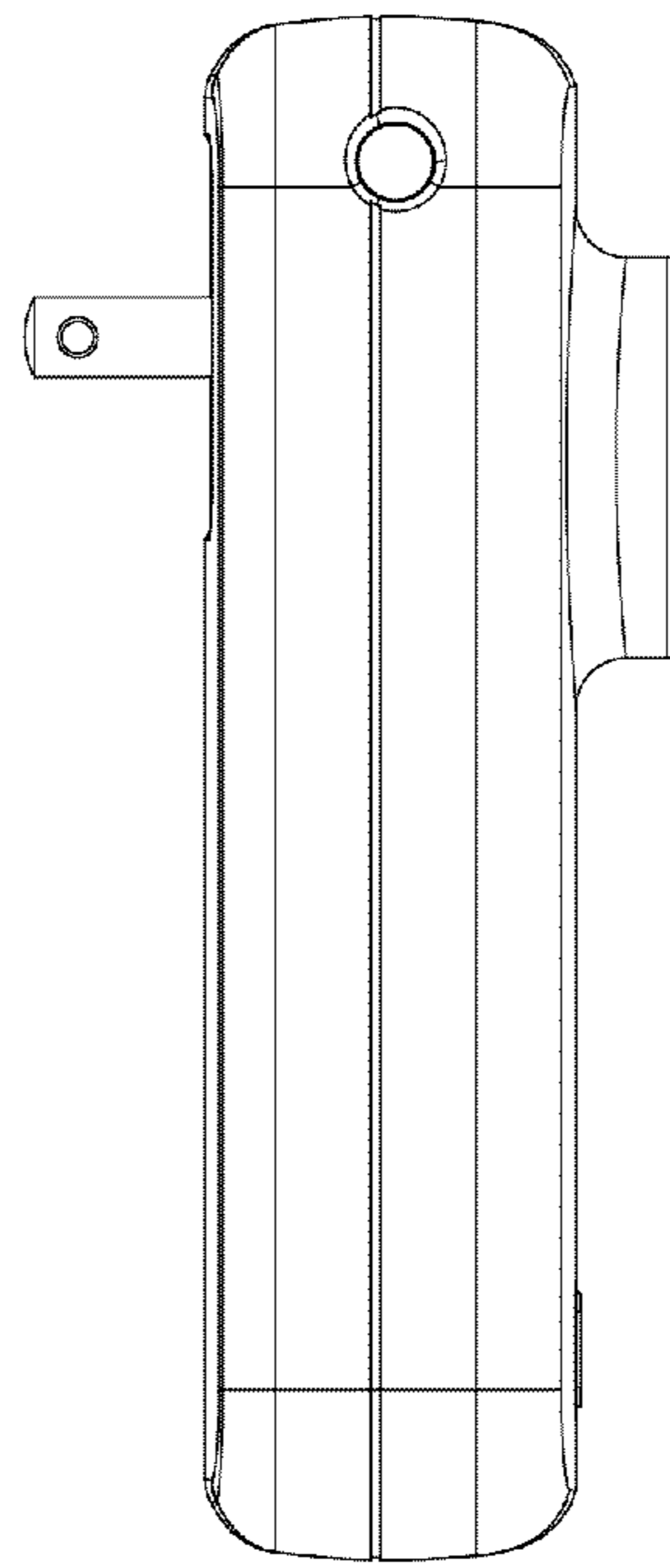


FIG. 5

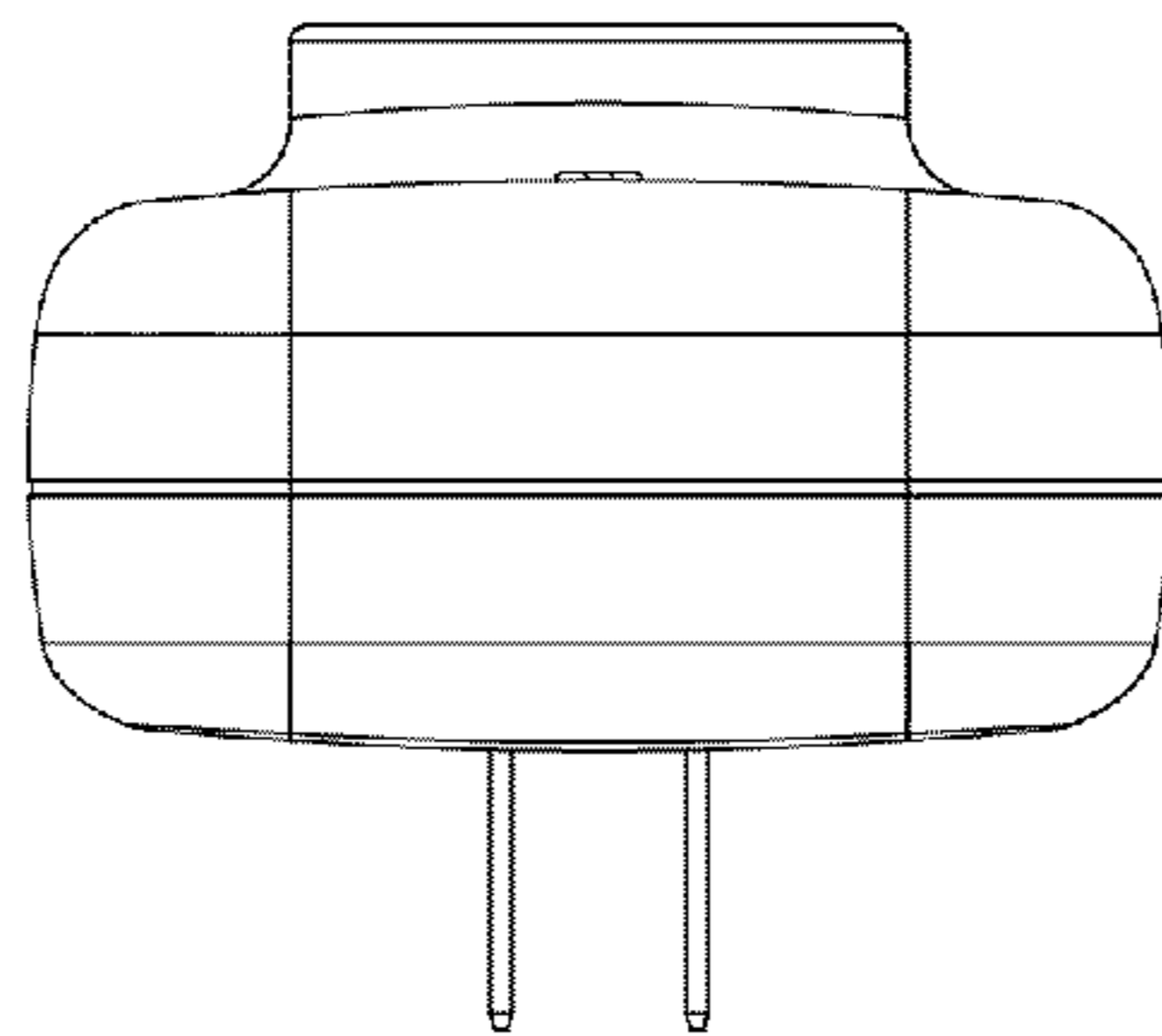


FIG. 6

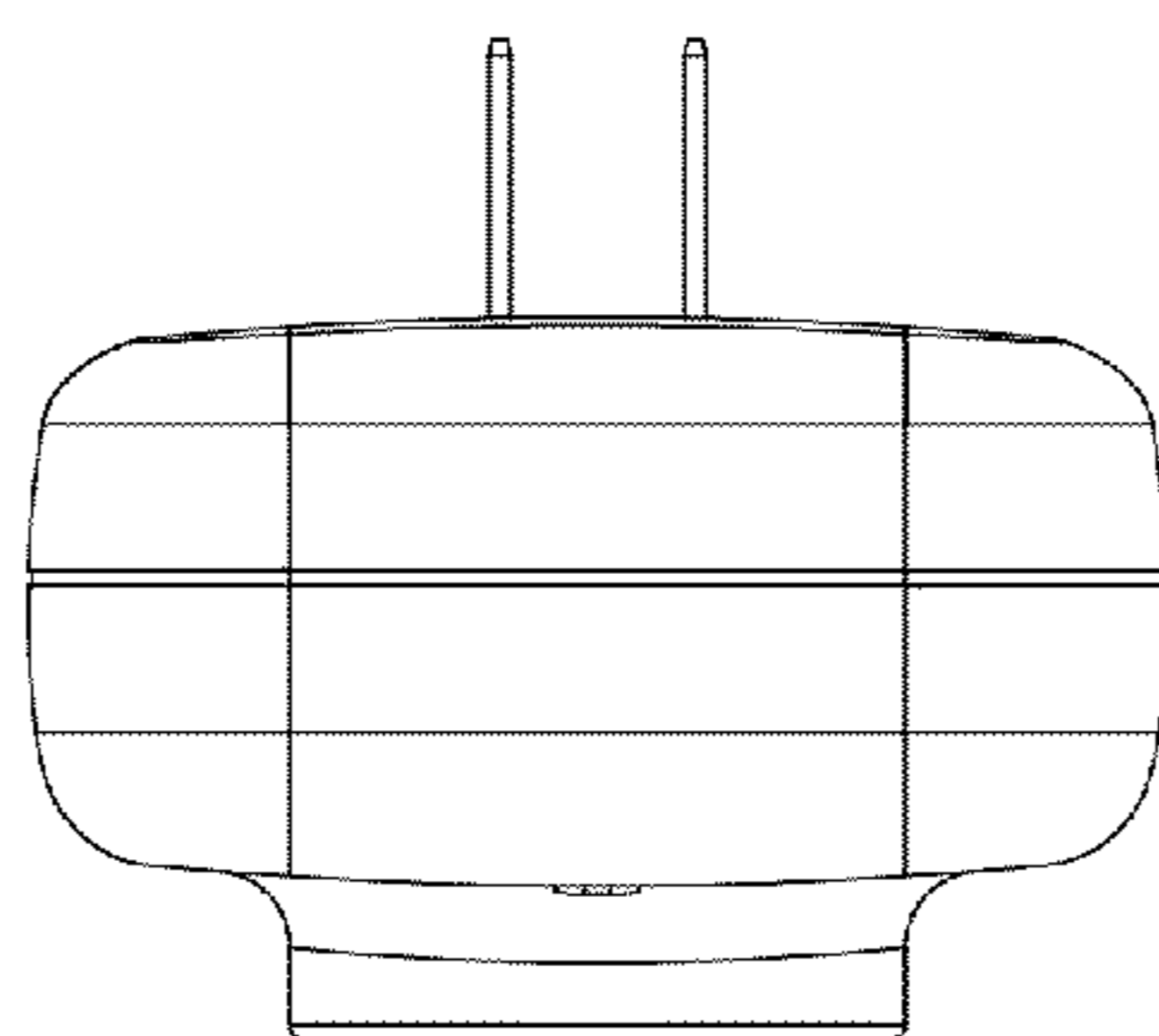


FIG. 7