

US00D669027S

(12) **United States Design Patent**  
**Kumpula et al.**

(10) **Patent No.:** **US D669,027 S**  
(45) **Date of Patent:** **\*\* Oct. 16, 2012**

(54) **ACCUMULATOR BATTERY CHARGING AND ELECTRONIC POWER CONVERSION APPARATUS**

(75) Inventors: **Pekka Kumpula**, Espoo (FI); **Mikko Koskinen**, Espoo (FI); **Maija Itkonen**, Espoo (FI)

(73) Assignee: **Powerkiss Oy**, Espoo (FI)

(\*\*) Term: **14 Years**

(21) Appl. No.: **29/380,187**

(22) Filed: **Dec. 1, 2010**

(30) **Foreign Application Priority Data**

Jun. 2, 2010 (EM) ..... 001714775-0001

(51) **LOC (9) Cl.** ..... **13-02**

(52) **U.S. Cl.** ..... **D13/108**

(58) **Field of Classification Search** ..... D13/107-110,  
D13/118-119, 184; D14/251, 253, 432-434,  
D14/11, 435.1, 436, 480.1-480.7, 484.1;  
320/107-115

See application file for complete search history.

(56) **References Cited**

U.S. PATENT DOCUMENTS

D300,678 S \* 4/1989 Barrault ..... D32/73  
D508,458 S \* 8/2005 Solland et al. .... D13/108  
D524,282 S \* 7/2006 Beasley et al. .... D14/149  
D553,131 S \* 10/2007 Dal Porto et al. .... D14/480.2

7,291,041 B1 \* 11/2007 Yang ..... 439/500  
D559,248 S \* 1/2008 Heshes et al. .... D14/480.5  
D610,538 S \* 2/2010 Wu et al. .... D13/103  
D628,153 S \* 11/2010 Fujii et al. .... D13/108  
D631,053 S \* 1/2011 Bailey ..... D14/480.1  
7,868,589 B2 \* 1/2011 McSweyn et al. .... 320/114  
D634,268 S \* 3/2011 Reishus et al. .... D13/108  
D638,001 S \* 5/2011 Nakhjiri et al. .... D14/242

\* cited by examiner

*Primary Examiner* — Rosemary K Tarcza

(74) *Attorney, Agent, or Firm* — Andrus, Scales, Starke & Sawall, LLP

(57) **CLAIM**

The ornamental design for accumulator battery charging and electronic power conversion apparatus, as shown and described.

**DESCRIPTION**

FIG. 1 is a perspective top, front and left side view of an accumulator battery charging and electronic power conversion apparatus showing our new design;

FIG. 2 is a top view thereof;

FIG. 3 is a bottom view thereof;

FIG. 4 is a left side view thereof;

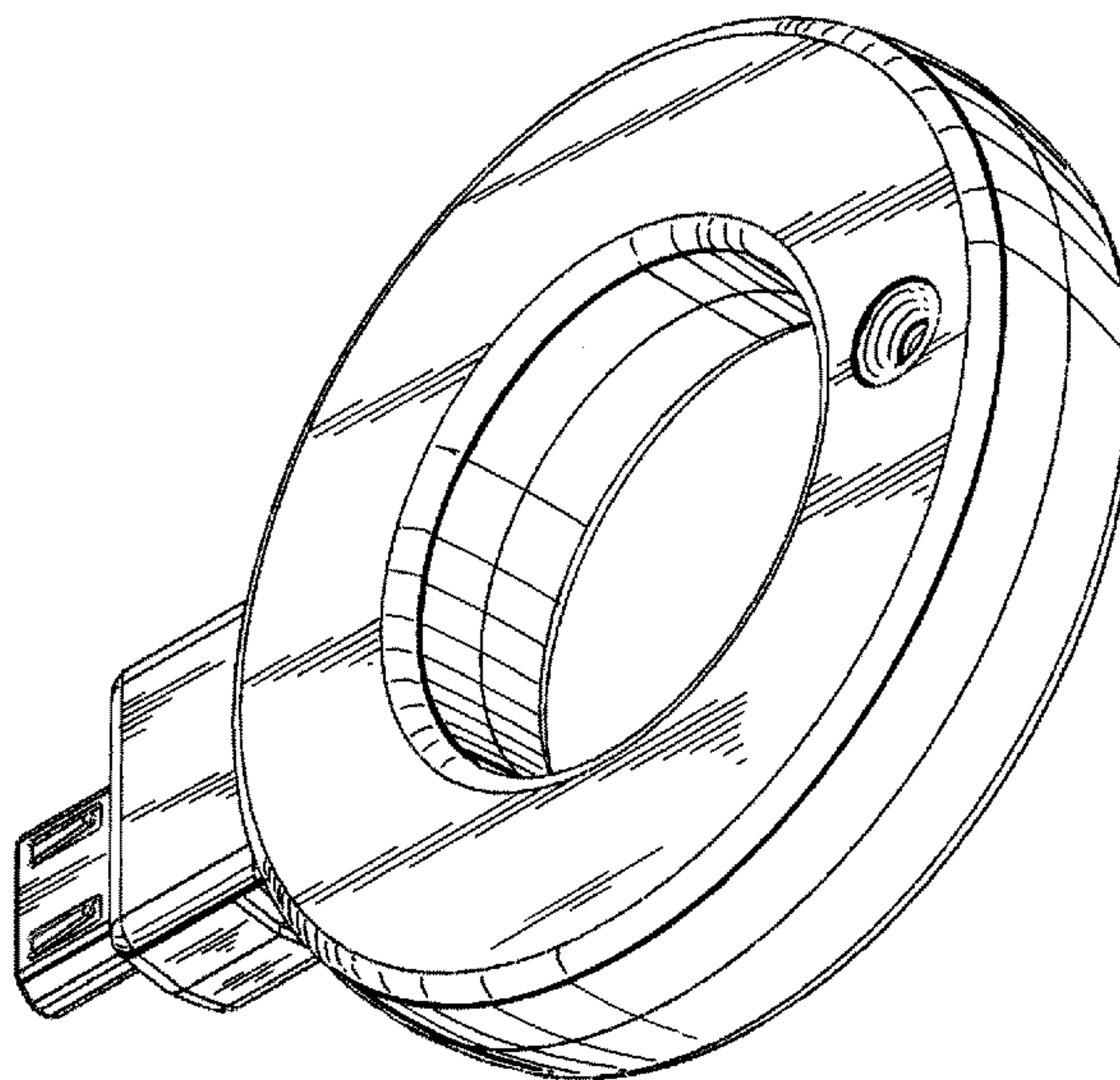
FIG. 5 is a right side view thereof;

FIG. 6 is a rear view thereof; and,

FIG. 7 is a front view thereof.

The broken lines shown in the drawing figures are for the purpose of illustrating environmental structure and form no part of the claimed design.

**1 Claim, 7 Drawing Sheets**



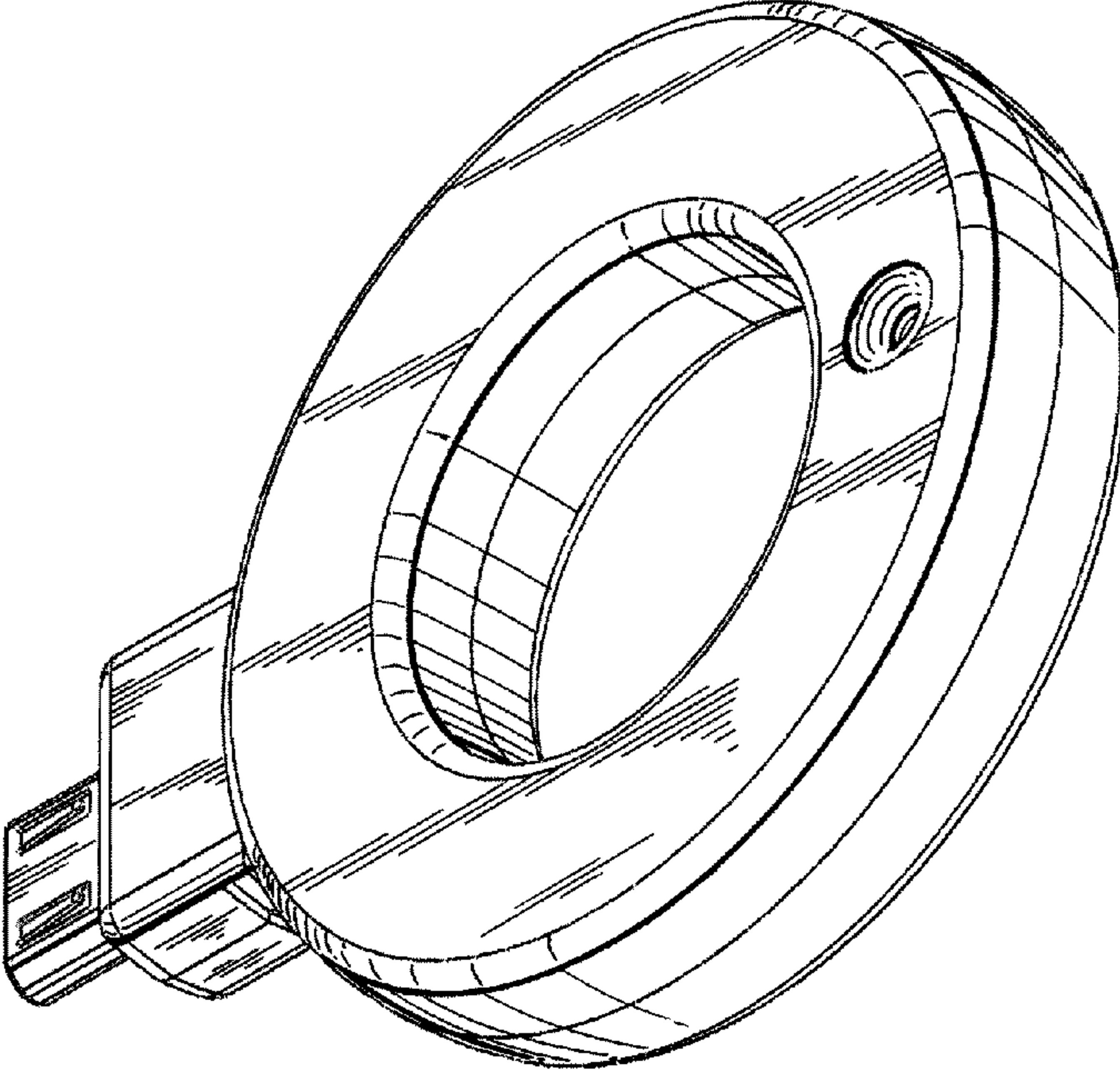


FIGURE 1

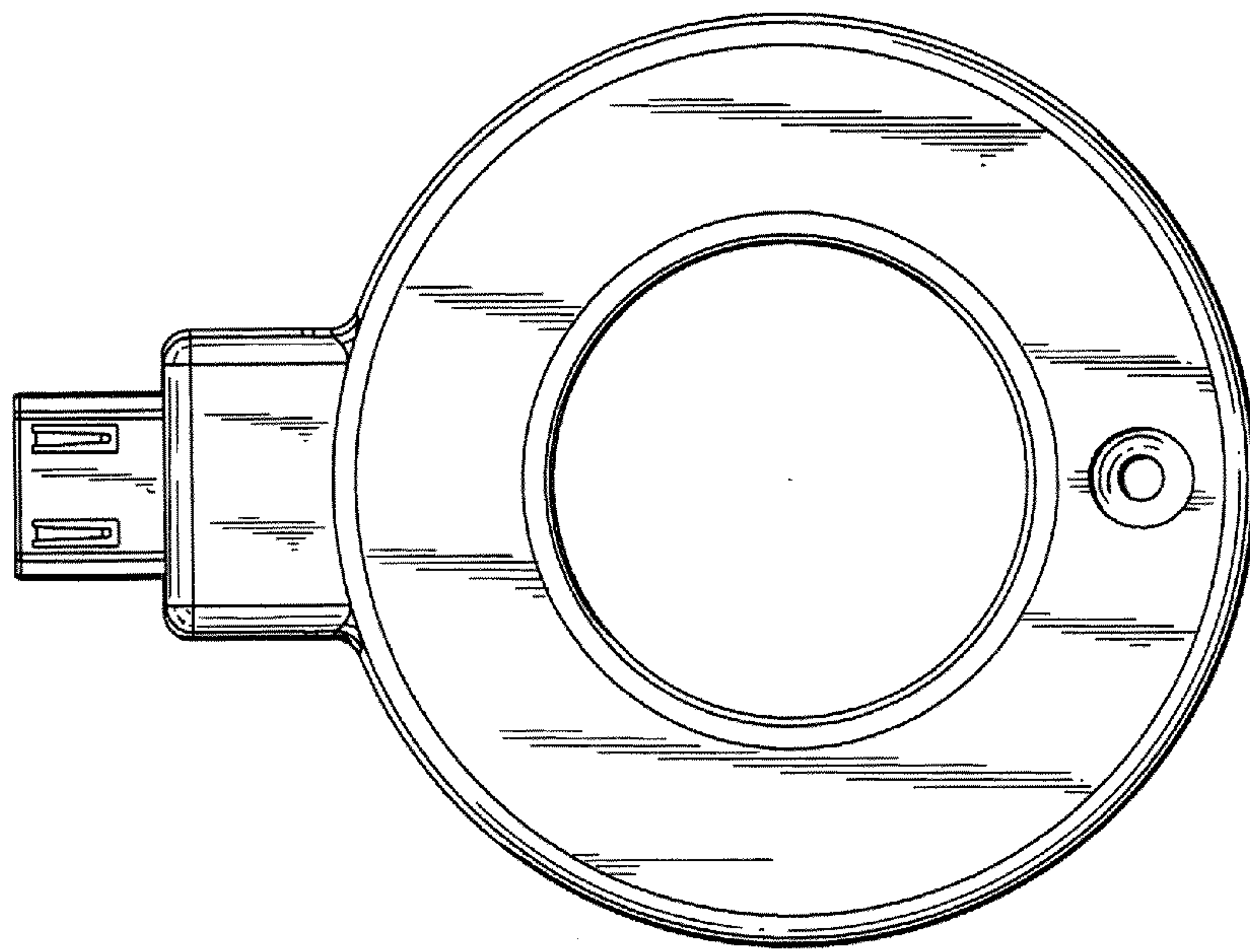


FIGURE 2

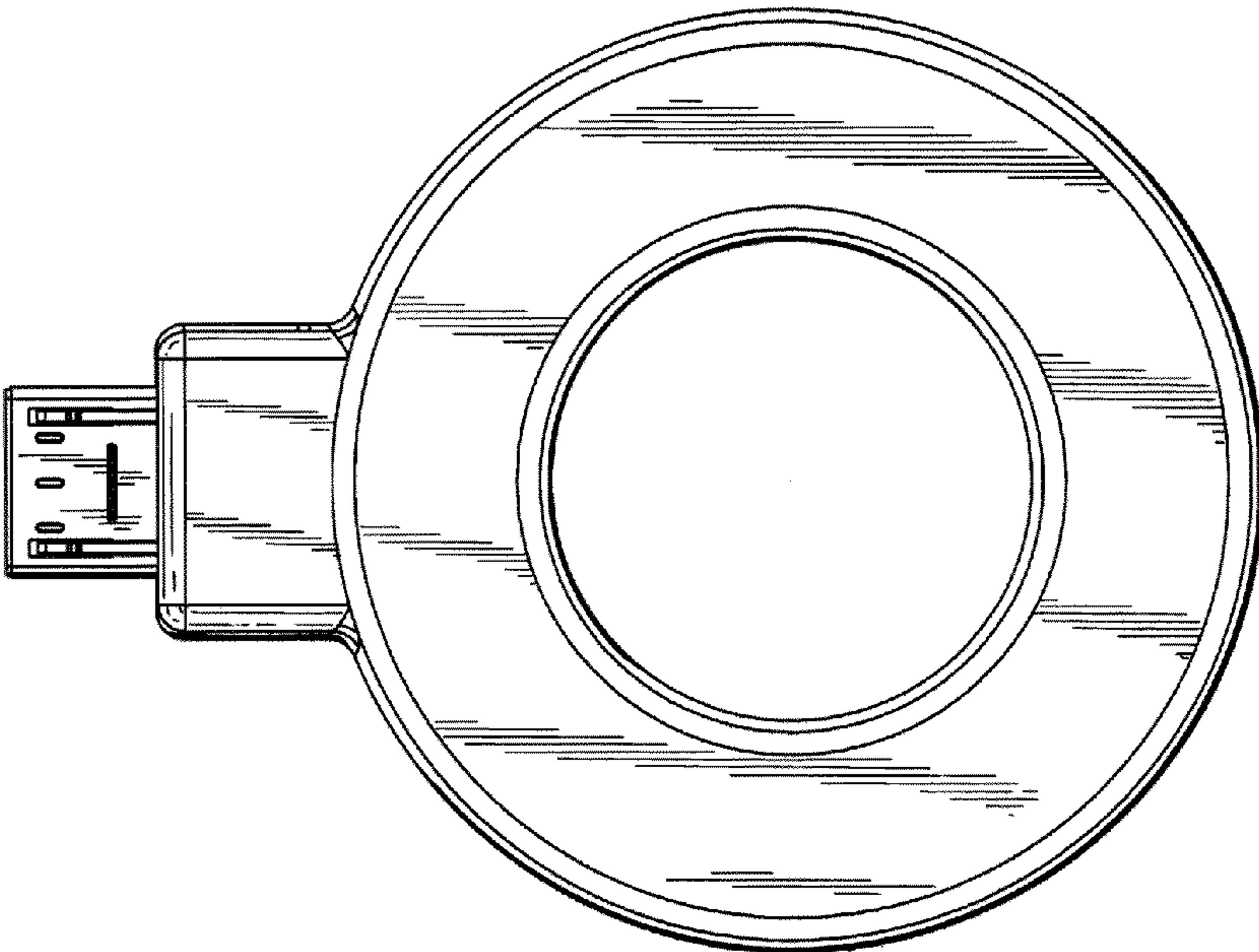


FIGURE 3

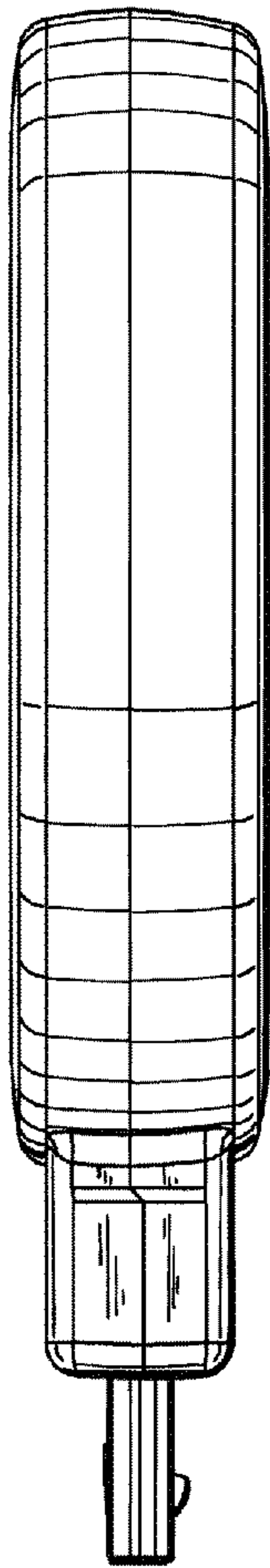


FIGURE 4

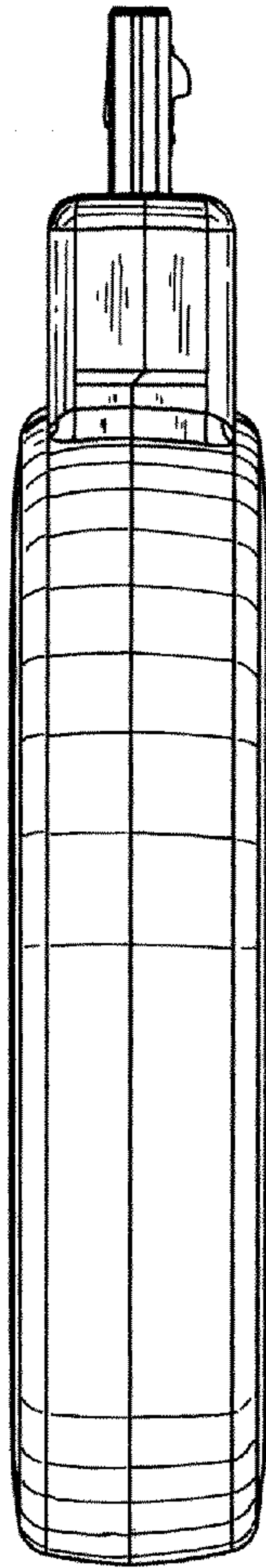


FIGURE 5



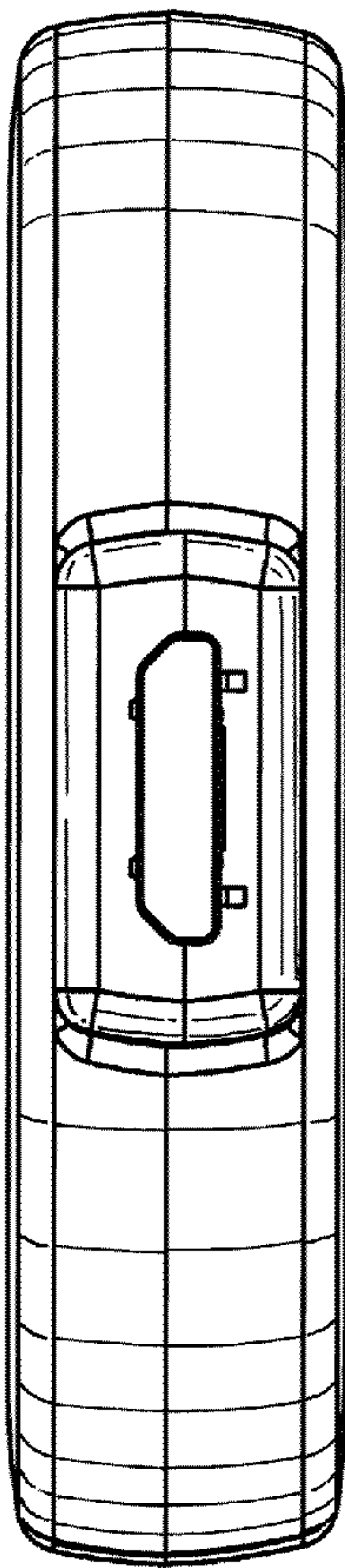


FIGURE 6

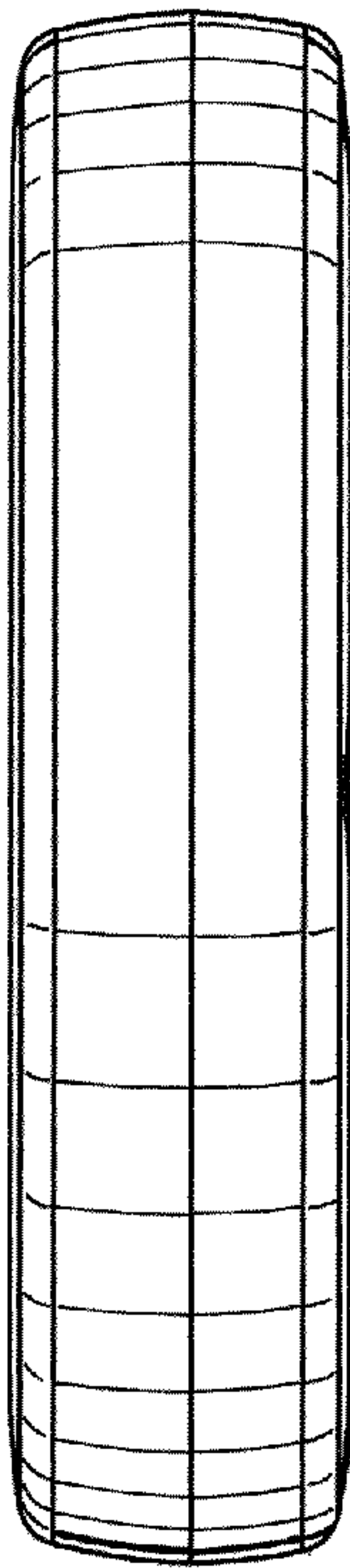


FIGURE 7