

US00D669022S

(12) **United States Design Patent**
Kiwaki

(10) **Patent No.:** **US D669,022 S**
(45) **Date of Patent:** **** Oct. 16, 2012**

(54) **TREAD PORTION OF AN AUTOMOBILE TIRE**

(75) Inventor: **Yukihiro Kiwaki**, Tokyo (JP)
(73) Assignee: **Bridgestone Corporation**, Tokyo (JP)
(**) Term: **14 Years**
(21) Appl. No.: **29/386,758**
(22) Filed: **Mar. 4, 2011**

(30) **Foreign Application Priority Data**

Sep. 9, 2010 (JP) 2010-021806

(51) **LOC (9) Cl.** **12-16**

(52) **U.S. Cl.** **D12/581**

(58) **Field of Classification Search** D12/568-603;
152/209.1-209.28

See application file for complete search history.

(56) **References Cited**

U.S. PATENT DOCUMENTS

D384,917 S * 10/1997 Miura D12/581
D610,974 S * 3/2010 Hagiwara D12/602

D647,463 S * 10/2011 Kojima D12/583
* cited by examiner

Primary Examiner — George D Kirschbaum
(74) *Attorney, Agent, or Firm* — Sughrue Mion, PLLC

(57) **CLAIM**

The ornamental design for a tread portion of an automobile tire, as shown and described.

DESCRIPTION

FIG. 1 is a front view of a tread portion of an automobile tire according to the present invention;
FIG. 2 is a perspective view thereof;
FIG. 3 is a left side view thereof;
FIG. 4 is a fragmentary enlarged view showing the details thereof; and,
FIG. 5 is an end view taken along line 5-5 in FIG. 4.
Broken lines in the drawing figures are intended to show environmental structure only, and form no part of the claimed design.

1 Claim, 5 Drawing Sheets

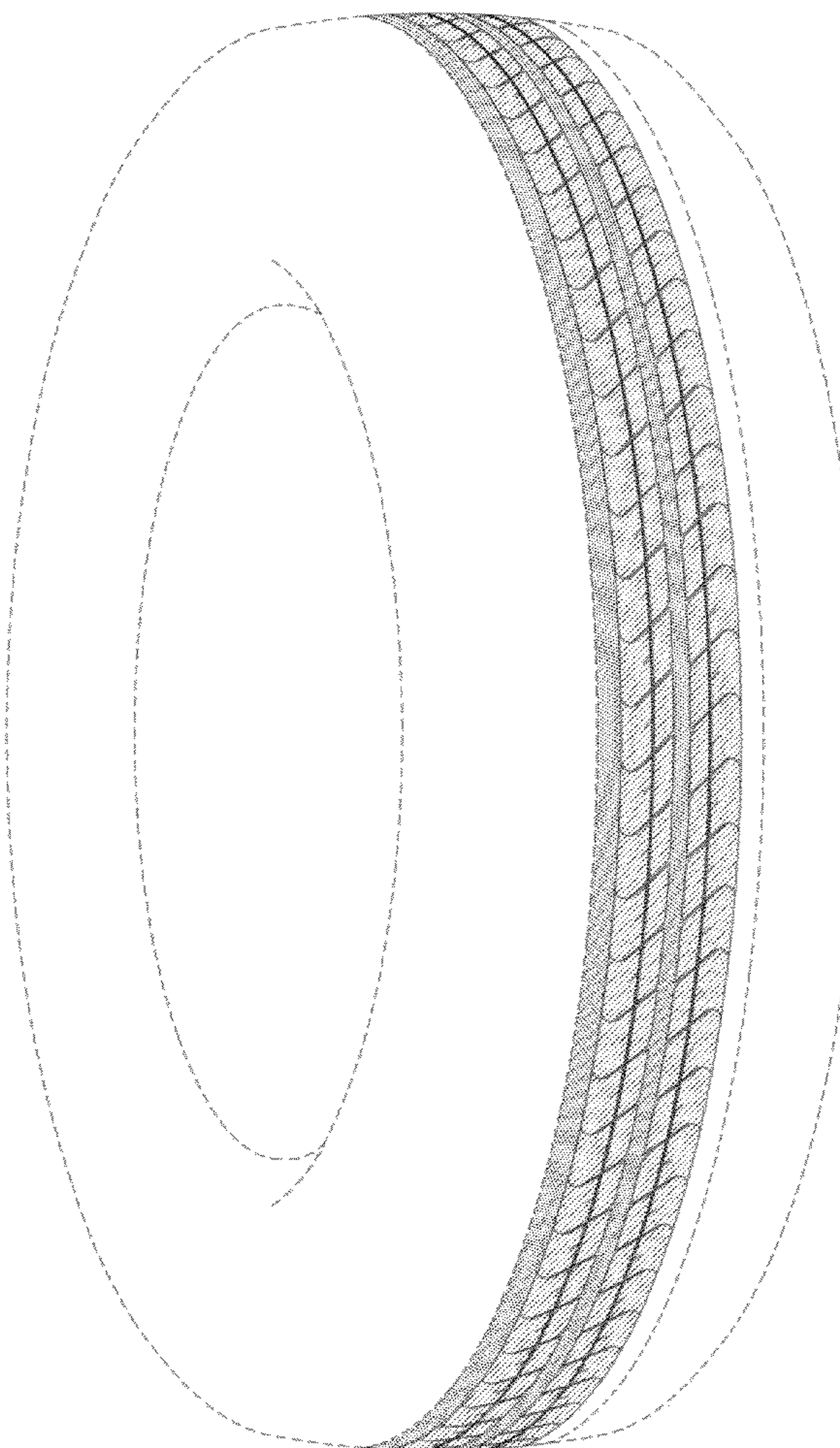
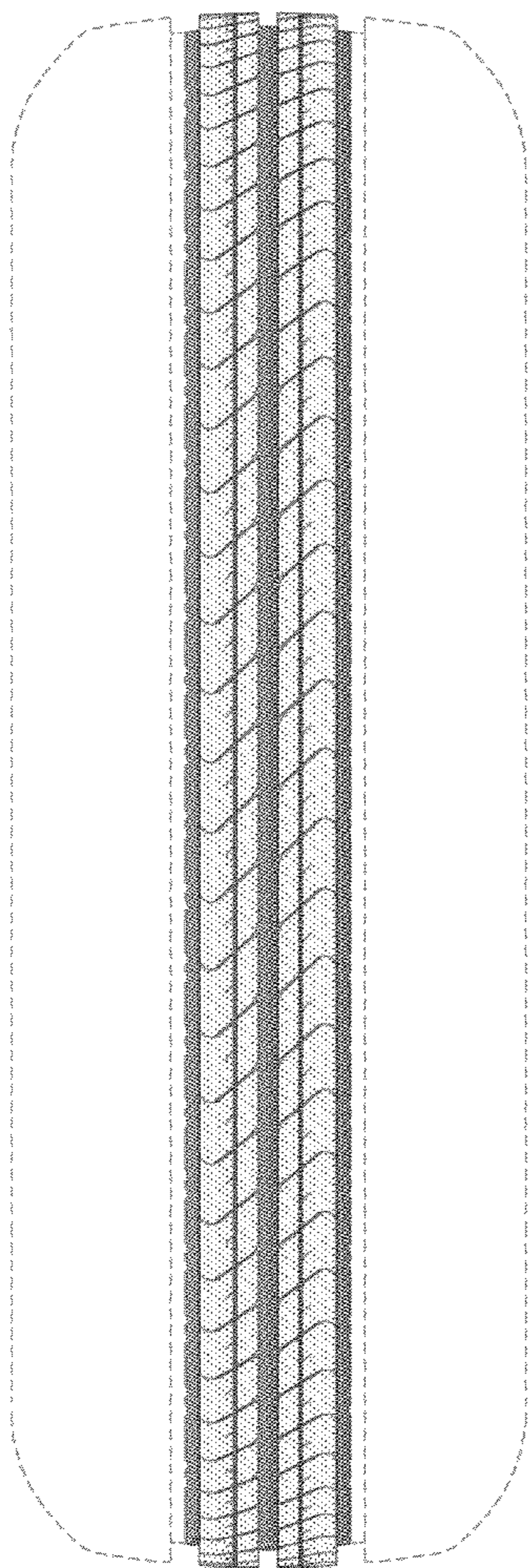


FIG. 1

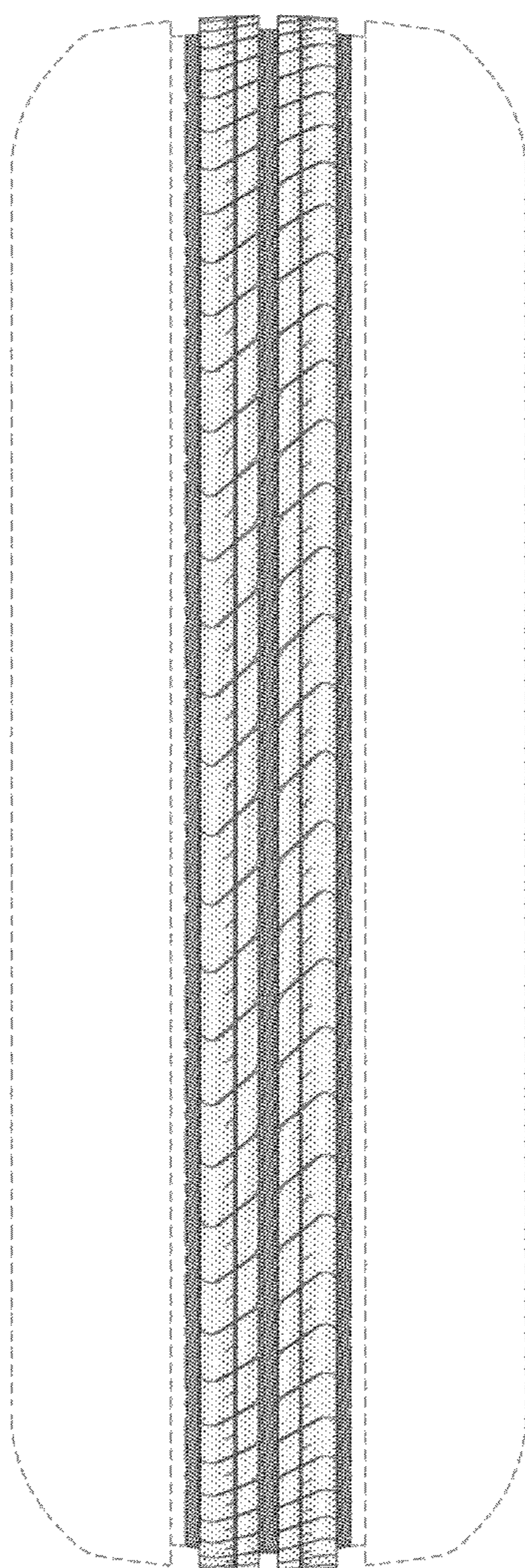


FIG. 2

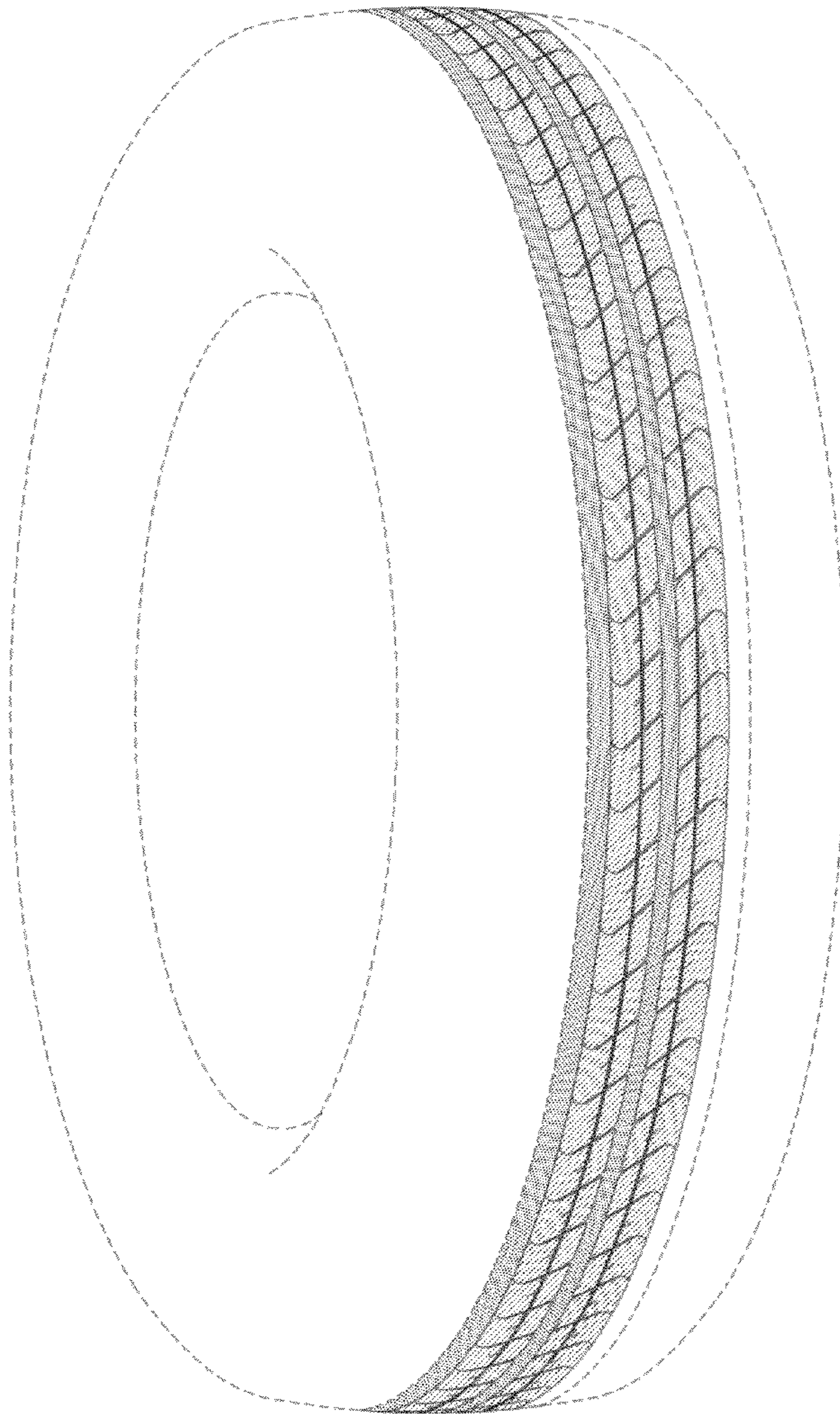


FIG. 3

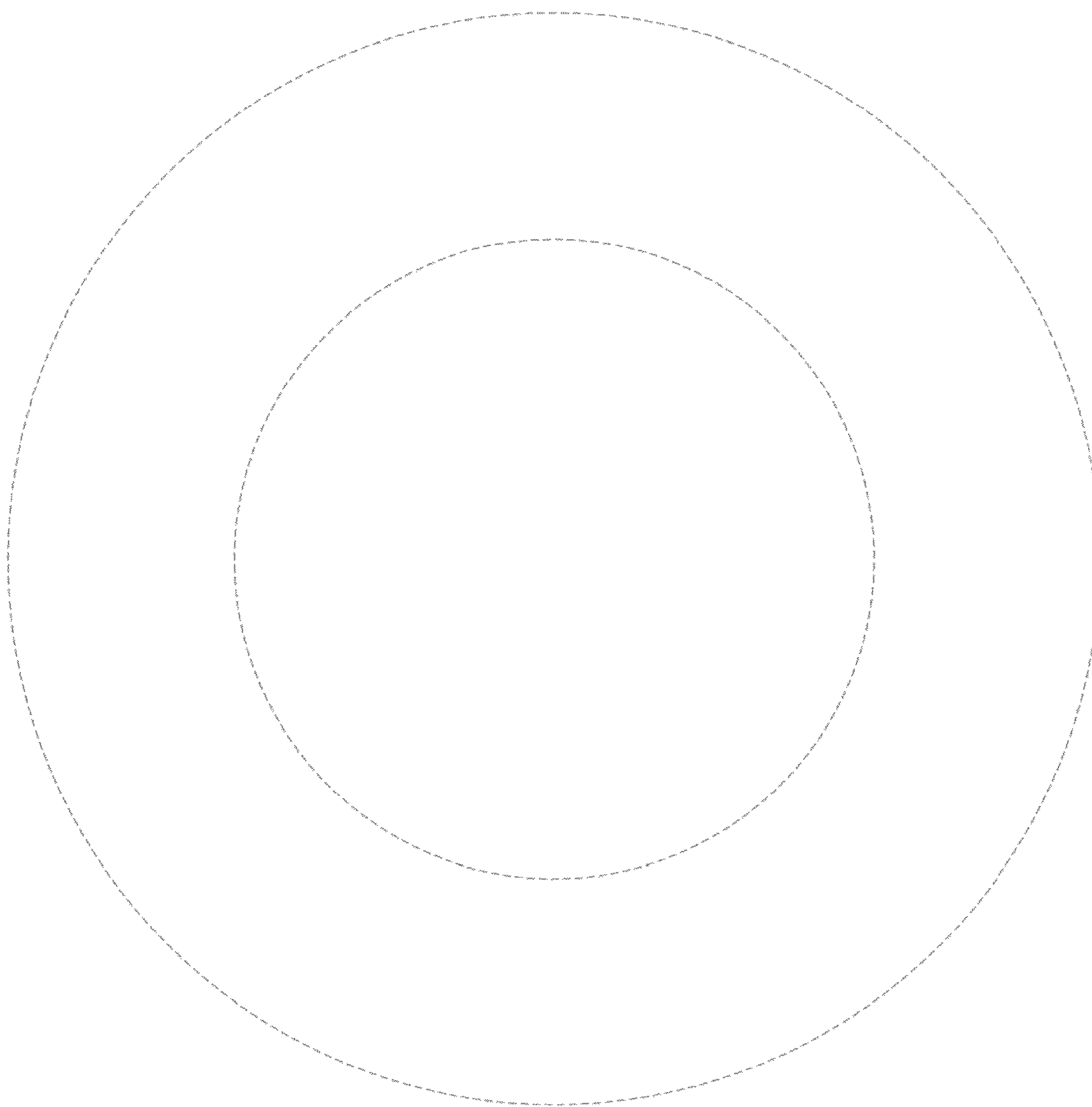


FIG. 4

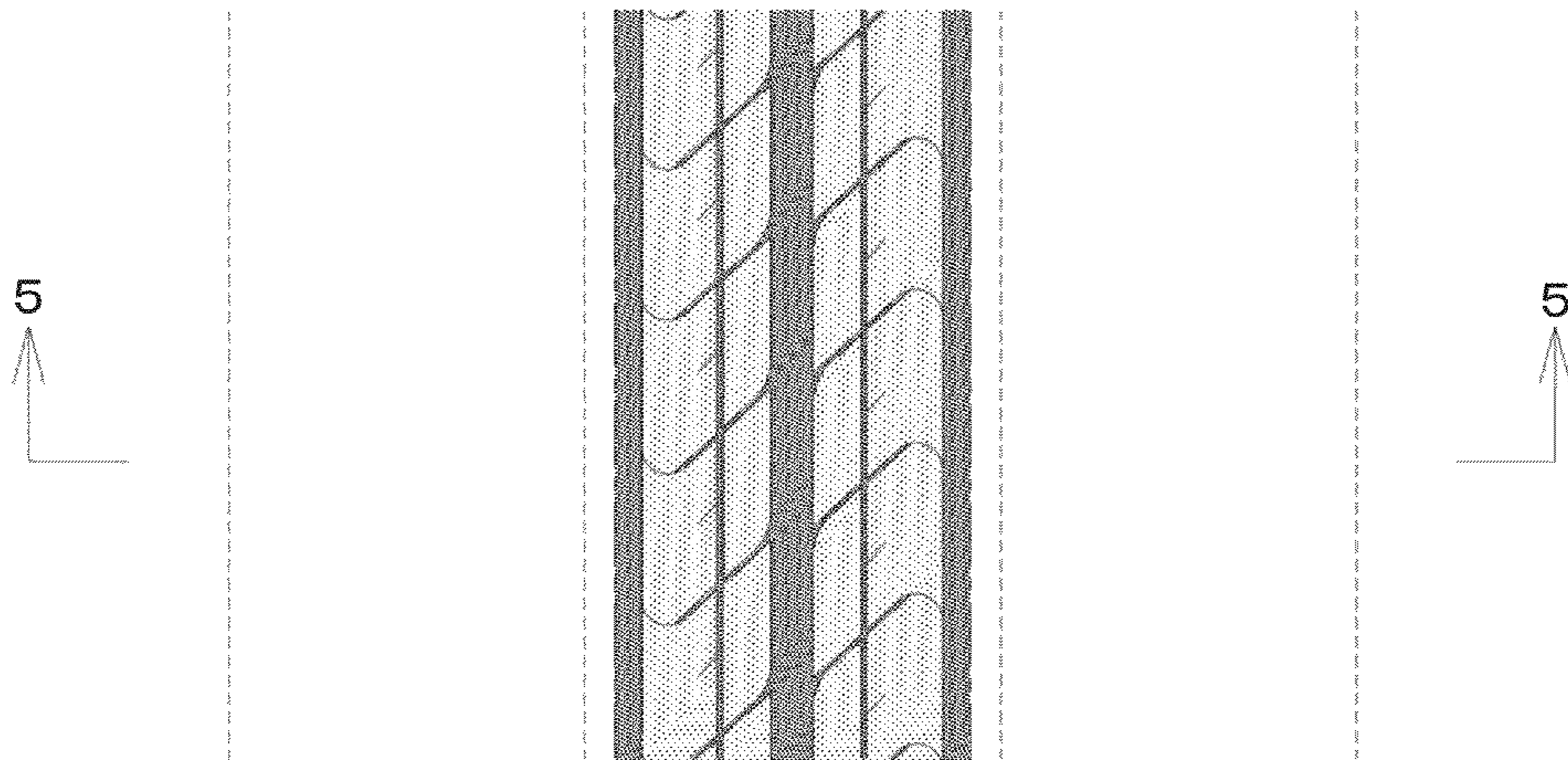


FIG. 5

