



US00D669019S

(12) **United States Design Patent**  
**Sareen**

(10) **Patent No.:** **US D669,019 S**

(45) **Date of Patent:** **\*\* Oct. 16, 2012**

(54) **TIRE TREAD**

(75) Inventor: **Gajendra Singh Sareen**, Singapore (SG)

(73) Assignee: **Omni United (S) Pte Ltd**, Singapore (SG)

(\*\*) Term: **14 Years**

(21) Appl. No.: **29/349,765**

(22) Filed: **Apr. 29, 2010**

(51) **LOC (9) Cl.** ..... **12-16**

(52) **U.S. Cl.** ..... **D12/531**

(58) **Field of Classification Search** ..... D12/505-532;  
152/209.1, 12, 18, 25

See application file for complete search history.

(56) **References Cited**

**U.S. PATENT DOCUMENTS**

D460,402 S *	7/2002	Ishida et al.	.....	D12/523
D559,167 S	1/2008	Krenz et al.		
D575,725 S *	8/2008	Hirai et al.	.....	D12/518
D584,214 S *	1/2009	Mukai	.....	D12/532
D597,021 S	7/2009	Kiwaki		

D597,925 S 8/2009 Lundgren et al.

\* cited by examiner

*Primary Examiner* — George D Kirschbaum

(74) *Attorney, Agent, or Firm* — Thomas W. Cook

(57) **CLAIM**

I claim the ornamental design for the tire tread, as shown and described.

**DESCRIPTION**

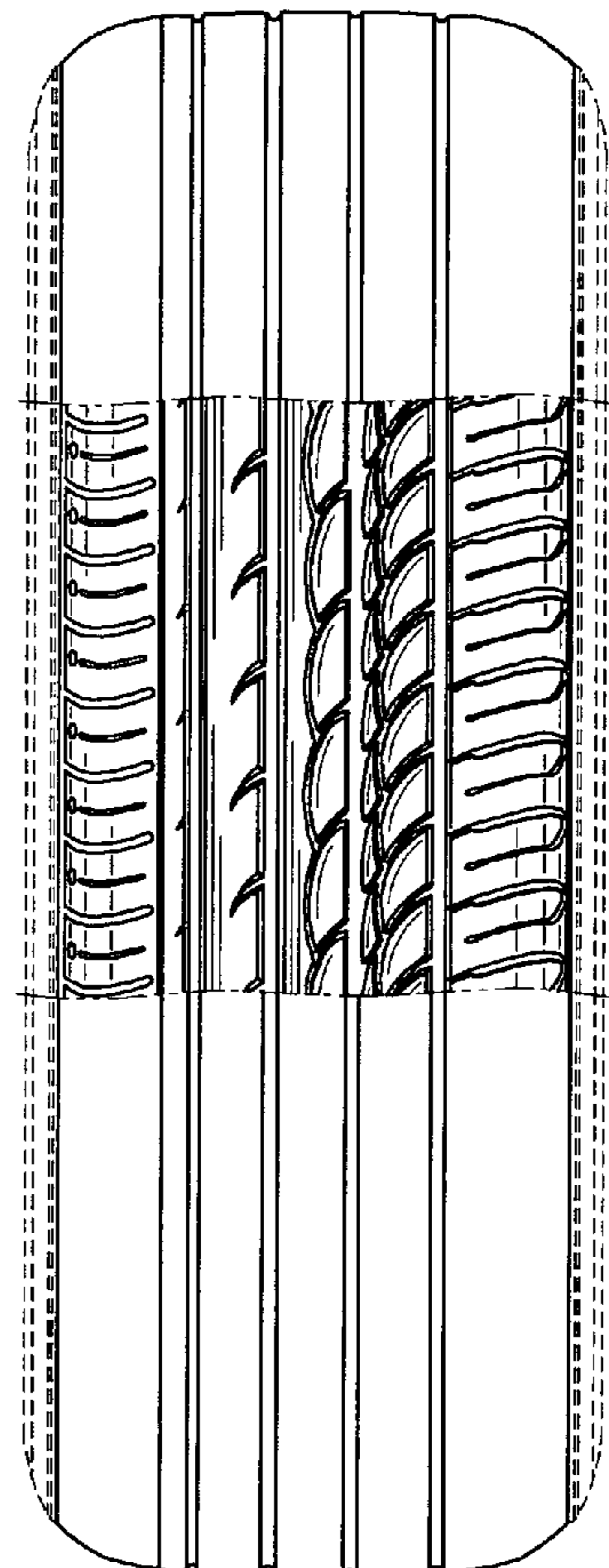
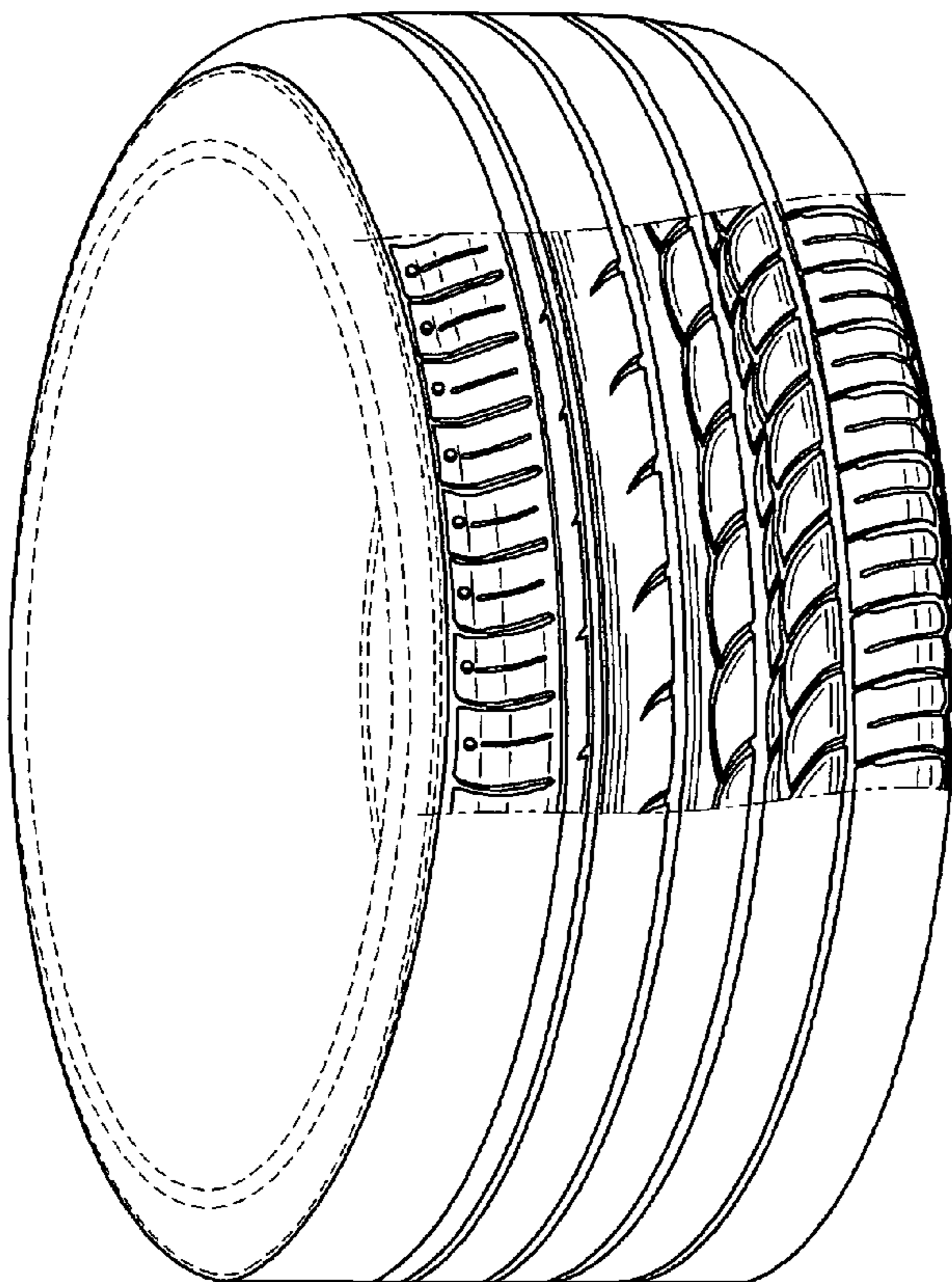
FIG. 1 is perspective view of a tire tread showing my new design, it being understood that the tire continues uninterrupted around the entire circumference of the tire;

FIG. 2 is a front plan view thereof; and,

FIG. 3 is an enlarged view thereof.

In the drawings, the broken lines defining the sidewall, inner bead and the peripheral boundary between the claimed tire tread and the unclaimed sidewall depict environmental subject matter that forms no part of the claimed design. The solid lines following the circumference of the tire are indicate the uninterrupted schematic continuation of the tread pattern around the entire circumference of the tire.

**1 Claim, 3 Drawing Sheets**



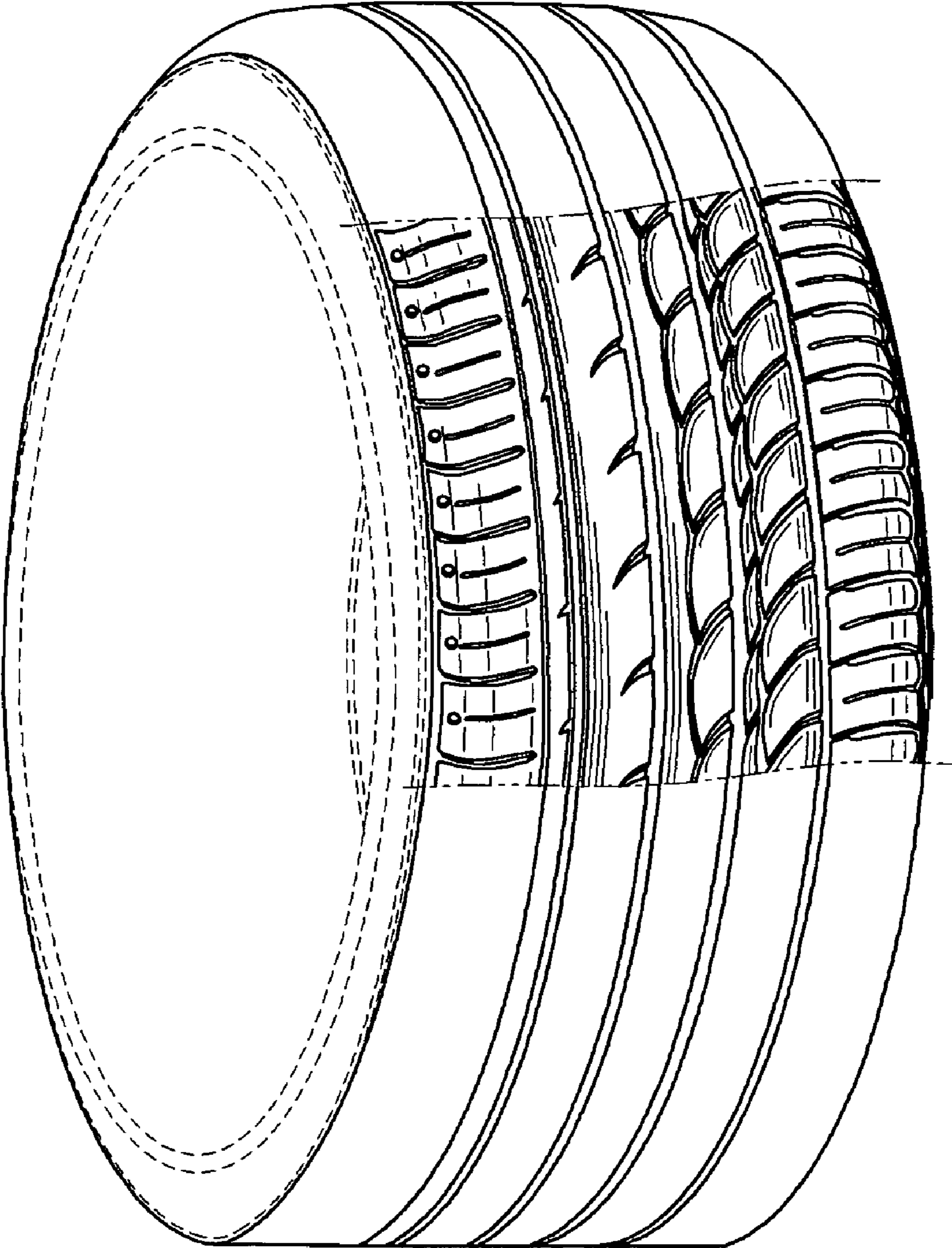
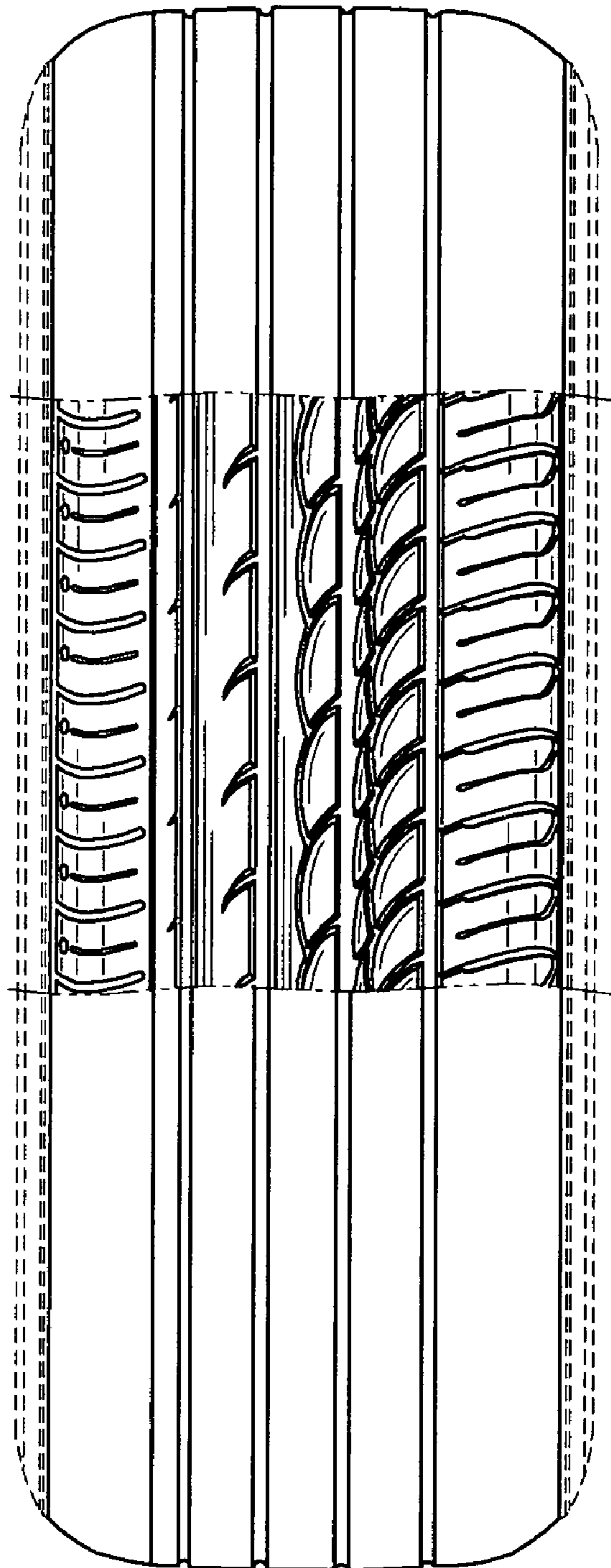


FIG. 1



*FIG. 2*

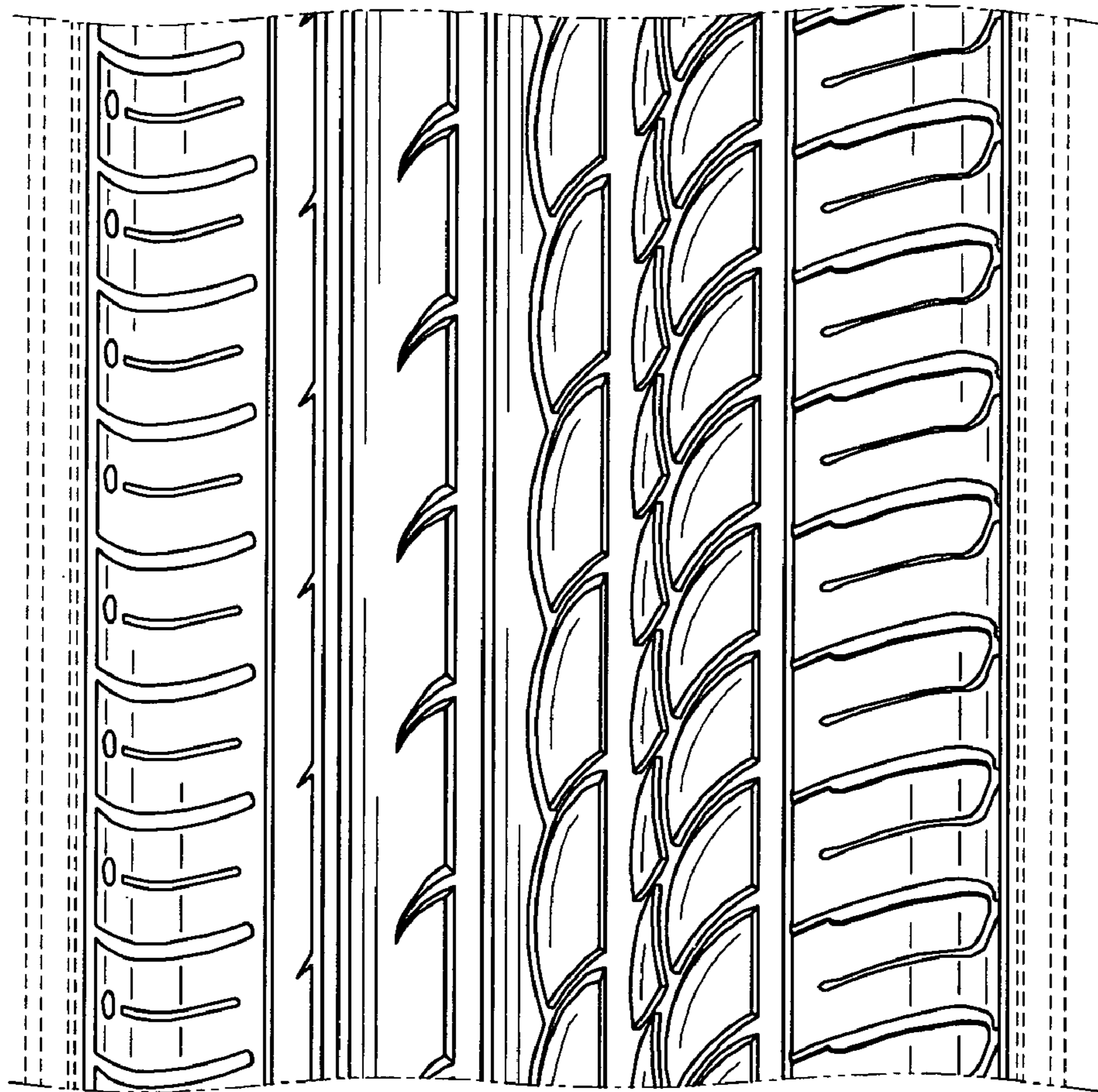


FIG. 3