



US00D669017S

(12) **United States Design Patent**
Robertson

(10) **Patent No.:** **US D669,017 S**

(45) **Date of Patent:** **** Oct. 16, 2012**

(54) **ROOF RACK CONNECTION ASSEMBLY**

(75) Inventor: **Bruce John Robertson**, Christchurch
(NZ)

(73) Assignee: **Hubco Automotive Limited**, Auckland
(NZ)

(**) Term: **14 Years**

(21) Appl. No.: **29/379,476**

(22) Filed: **Nov. 19, 2010**

(30) **Foreign Application Priority Data**

May 20, 2010 (NZ) NZ413653

(51) **LOC (9) Cl.** **12-16**

(52) **U.S. Cl.** **D12/412**

(58) **Field of Classification Search** D12/412,
D12/406, 414, 414.1, 220; 293/37.1, 3, 100;
224/309-310, 315-316, 323-329, 400; D3/304-306;
280/760-762, 848, 727, 769; D6/552
See application file for complete search history.

(56) **References Cited**

U.S. PATENT DOCUMENTS

4,534,496 A * 8/1985 Bott 224/326
D495,654 S * 9/2004 Elwell et al. D12/414
D499,372 S * 12/2004 Andersson D12/414
D592,120 S * 5/2009 Grasso et al. D12/220
D603,835 S * 11/2009 Onoue D14/188

D608,717 S * 1/2010 Aglassinger D12/220
D609,159 S * 2/2010 Aglassinger D12/220
D638,345 S * 5/2011 Kanczuzewski et al. D12/406
D657,301 S * 4/2012 Bogoslofski et al. D12/406
D660,778 S * 5/2012 An et al. D12/220
2008/0066254 A1* 3/2008 Vacher 15/250.32
2008/0121671 A1* 5/2008 Cronce et al. 224/331
2008/0197162 A1* 8/2008 Klinkman et al. 224/314

* cited by examiner

Primary Examiner — Caron D Veynar

Assistant Examiner — Katrina A Betton

(74) *Attorney, Agent, or Firm* — Kolisch Hartwell, P.C.

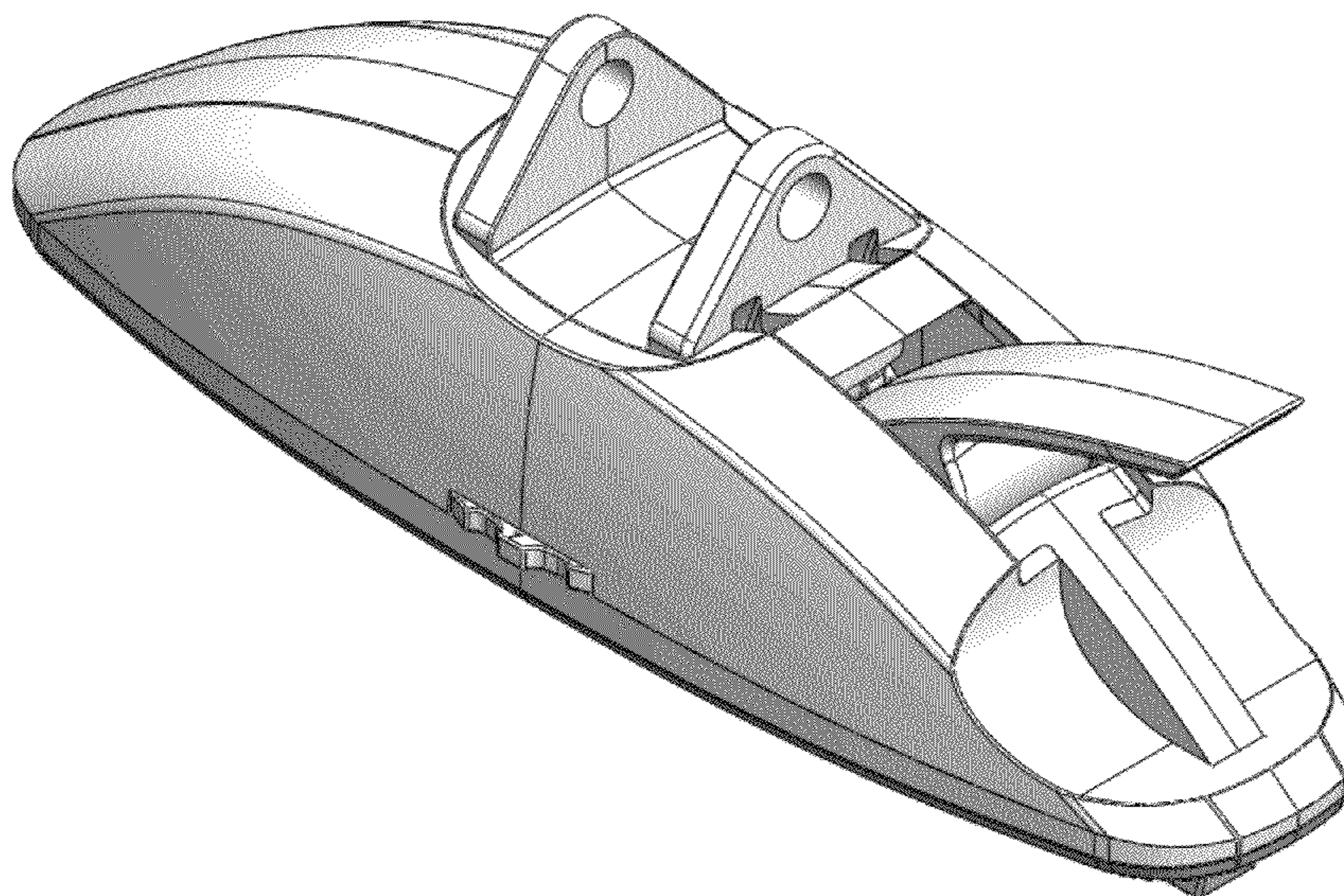
(57) **CLAIM**

The ornamental design for a roof rack connection assembly,
as shown and described.

DESCRIPTION

FIG. 1 is a front top perspective view of a roof rack connection assembly showing my new design, wherein the lever of the roof rack connection assembly is in an open position;
FIG. 2 is a back bottom perspective view thereof;
FIG. 3 is a front elevation view thereof;
FIG. 4 is a side view thereof;
FIG. 5 is an underside view thereof;
FIG. 6 is a front elevation view of a roof rack connection assembly showing my new design, wherein the lever of the roof rack connection assembly is in a closed position;
FIG. 7 is a plan view thereof; and,
FIG. 8 is a side view thereof.

1 Claim, 8 Drawing Sheets



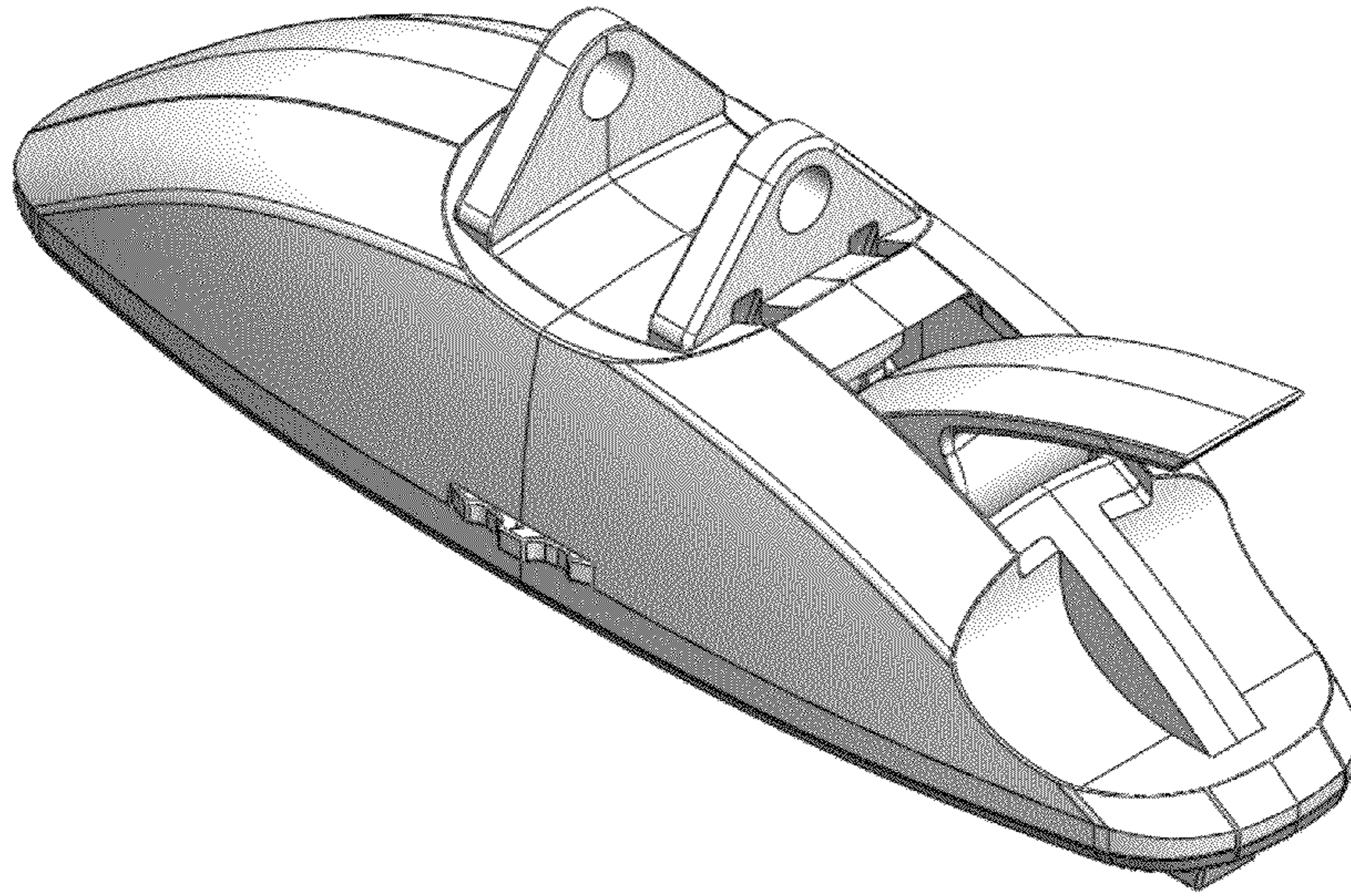


FIGURE 1

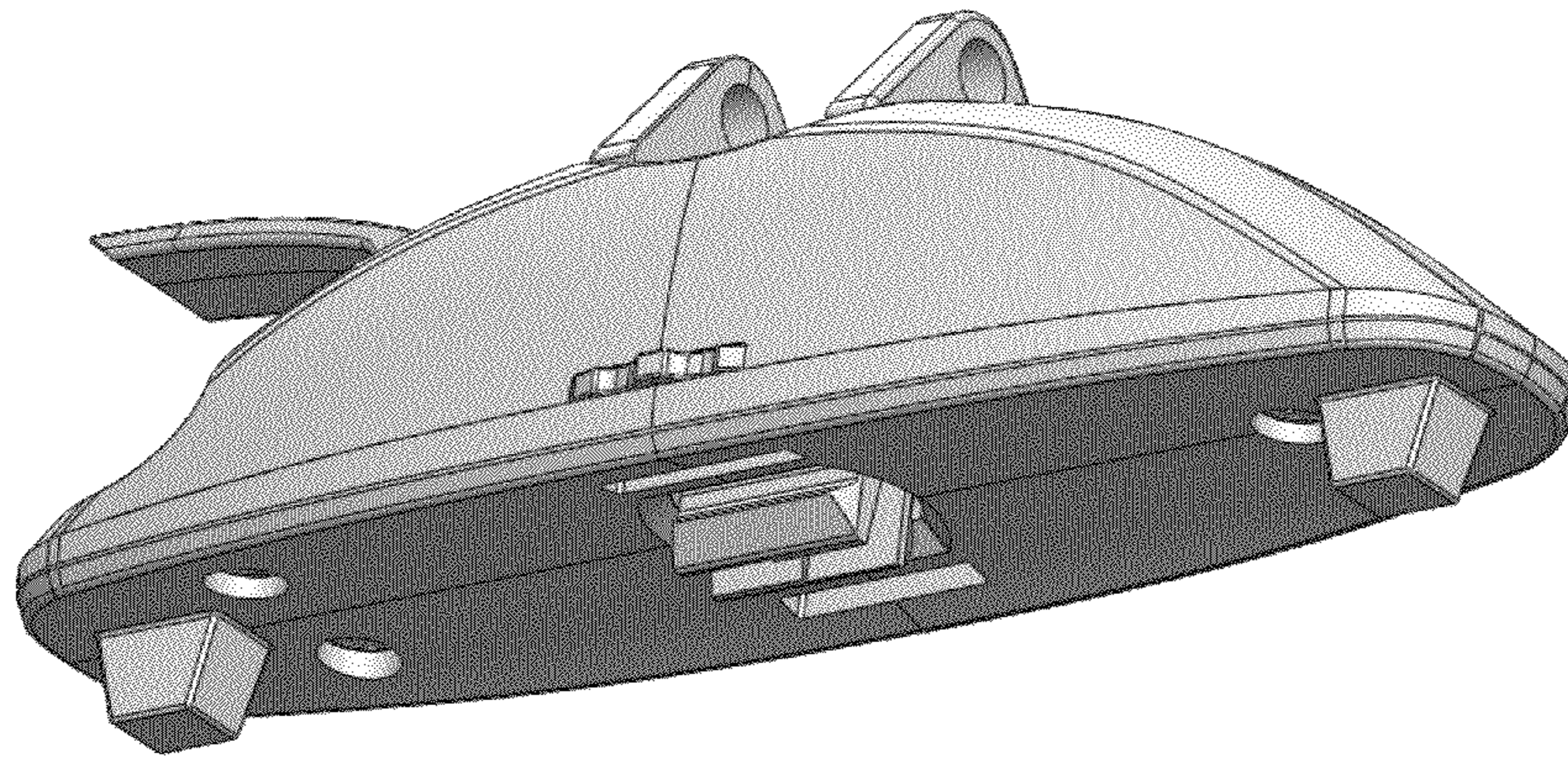


FIGURE 2

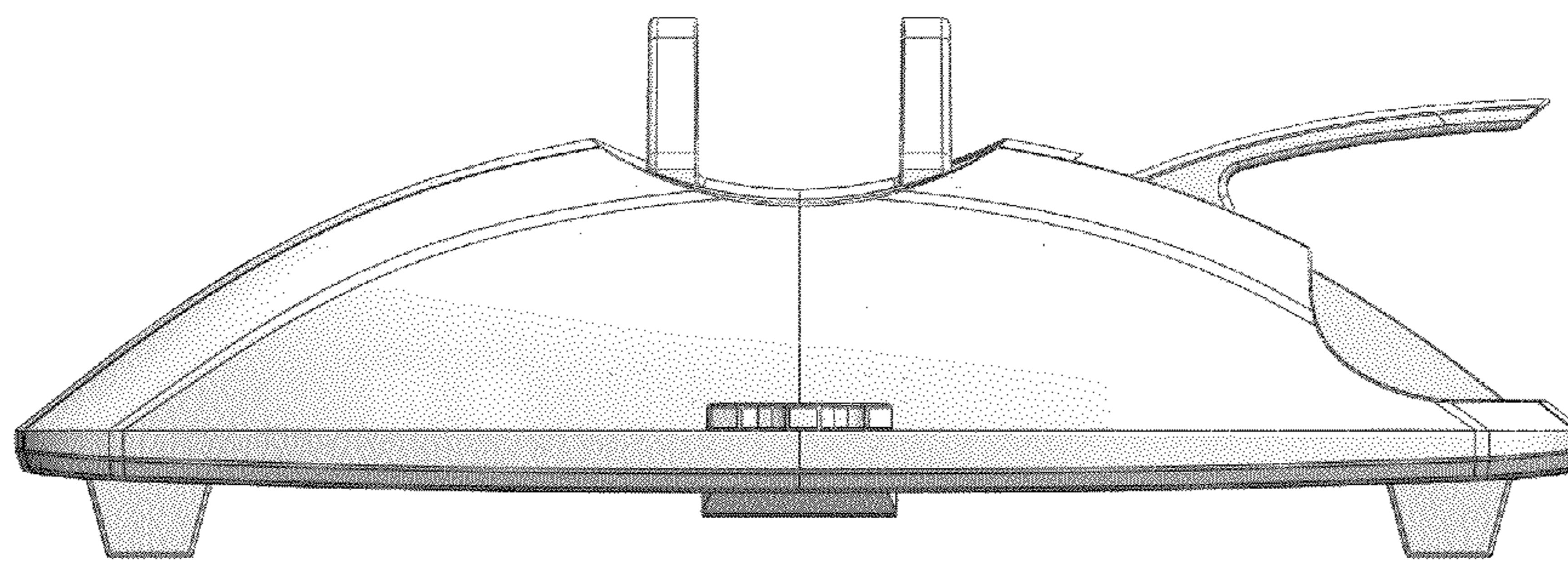


FIGURE 3

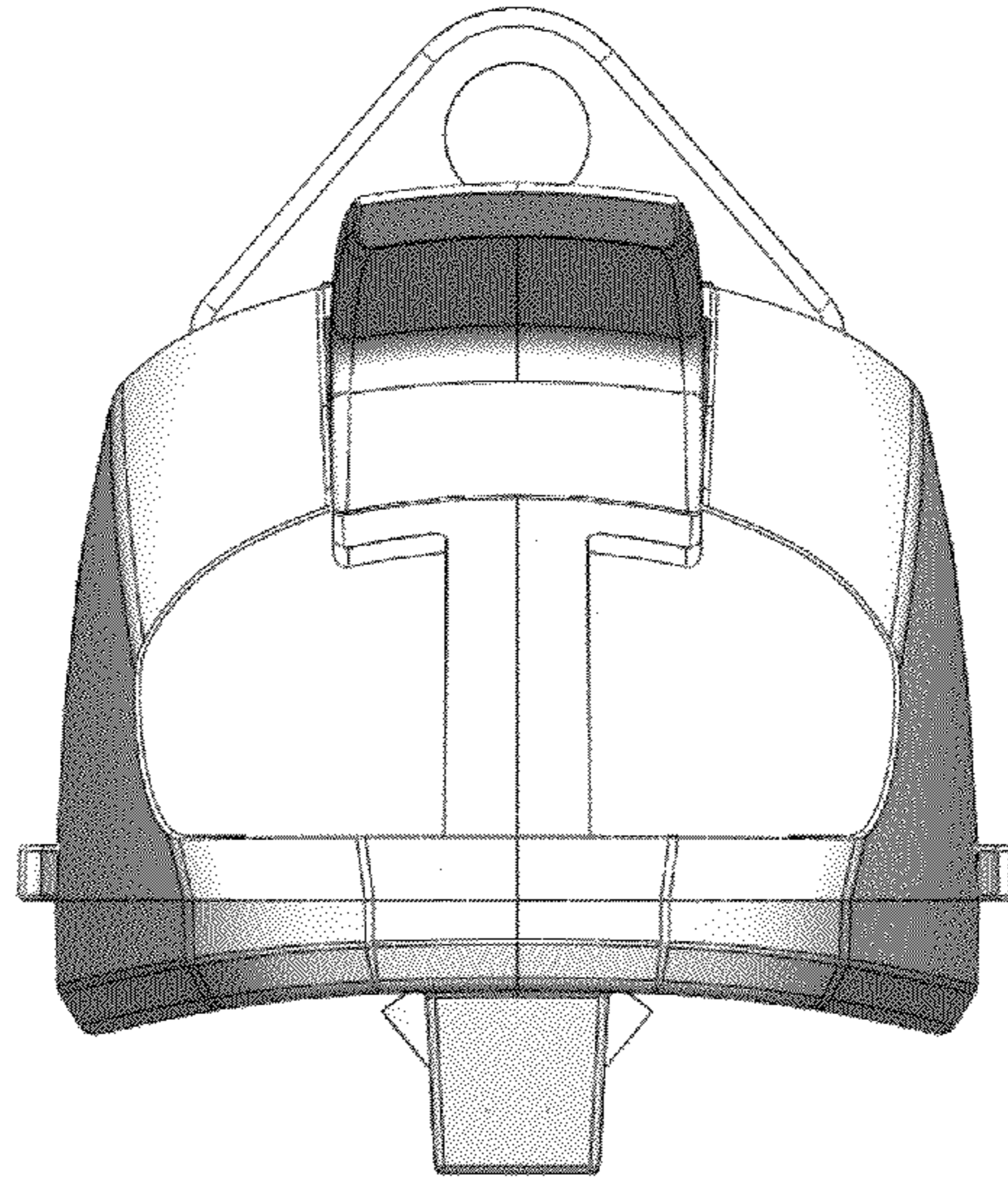


FIGURE 4

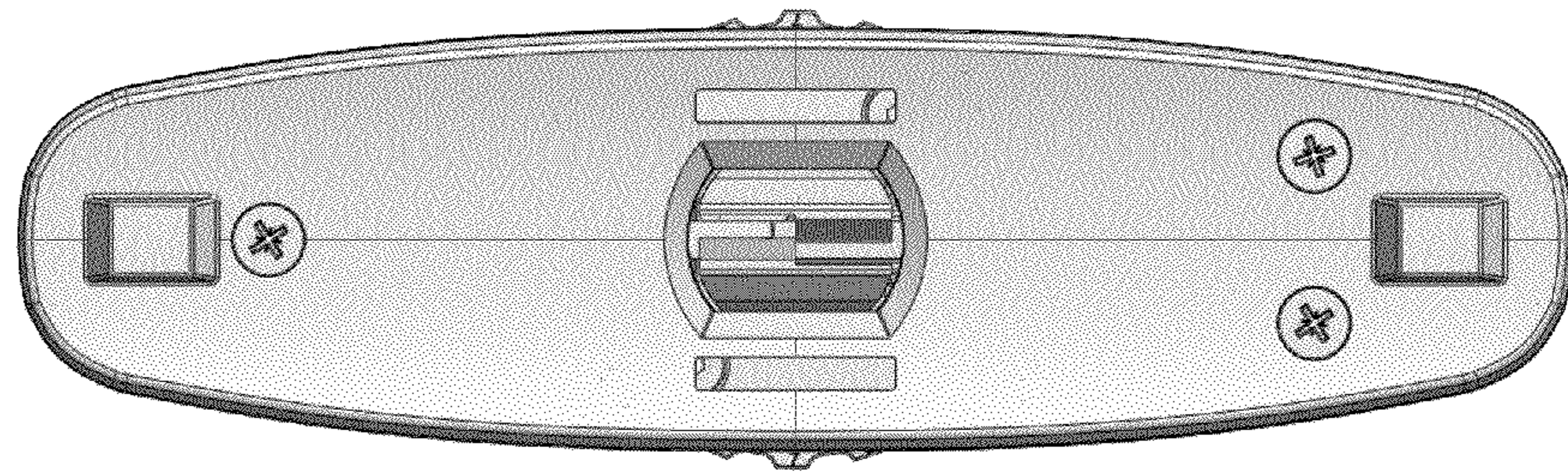


FIGURE 5

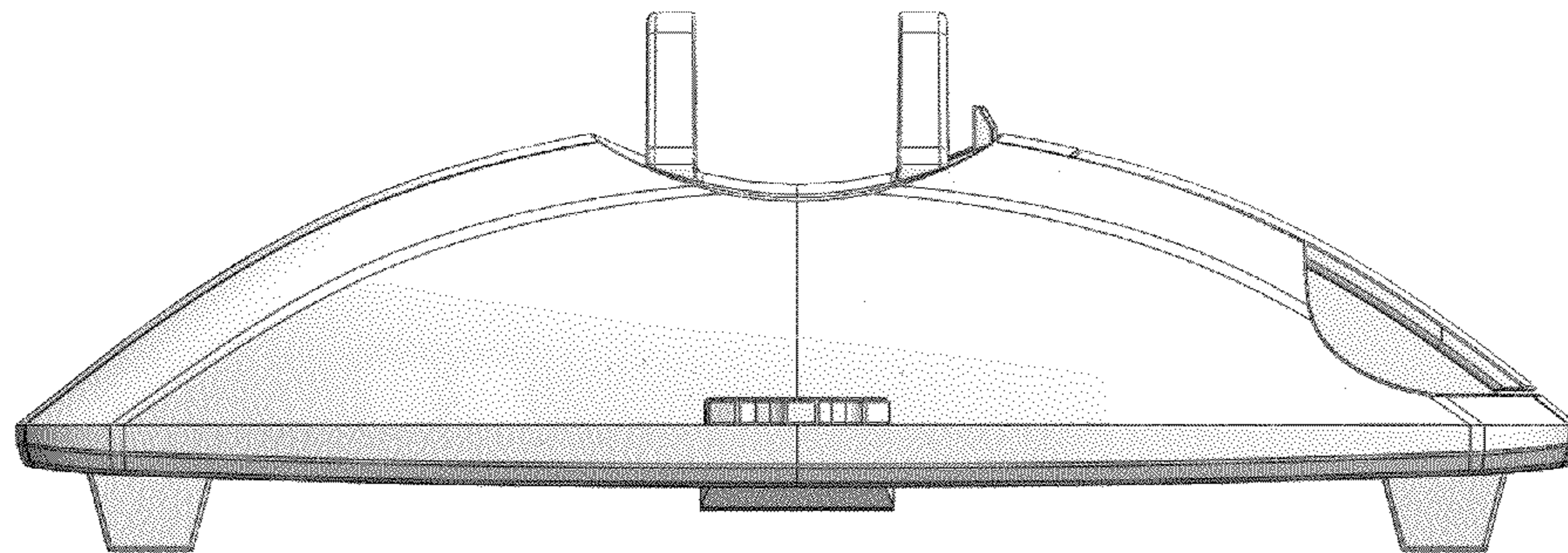


FIGURE 6

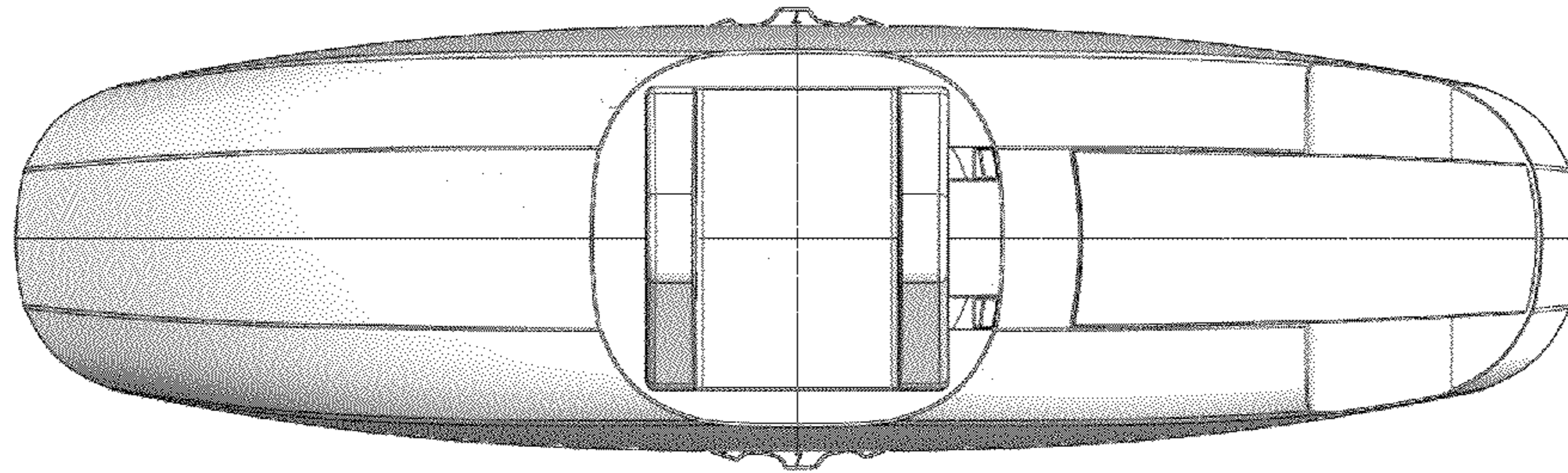


FIGURE 7

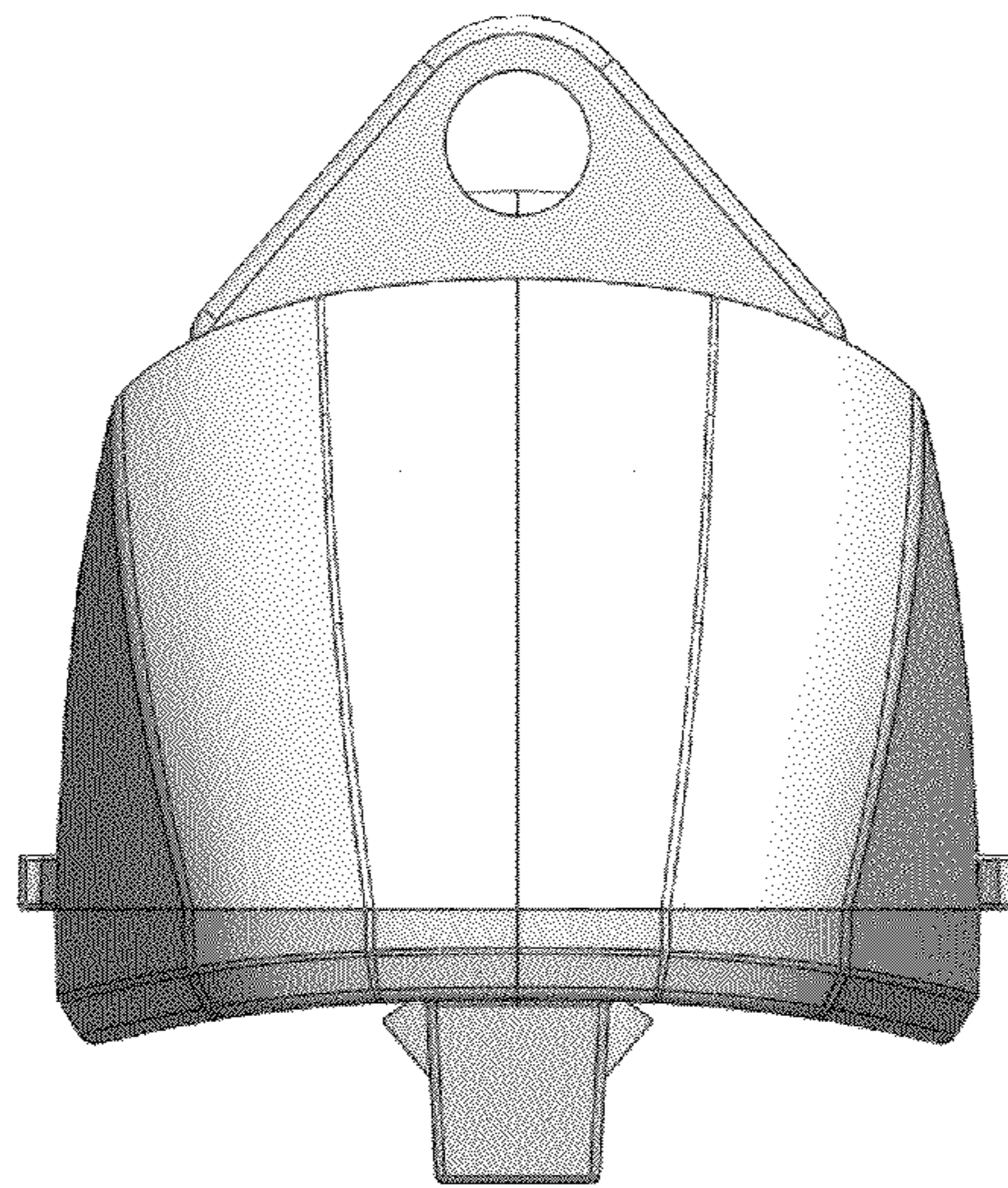


FIGURE 8