



US00D669016S

(12) **United States Design Patent**
Pozzi

(10) **Patent No.:** **US D669,016 S**
(45) **Date of Patent:** **** Oct. 16, 2012**

- (54) **BICYCLE RACK**
- (75) Inventor: **John-David Pozzi**, Zurich (CH)
- (73) Assignee: **Fiamma S.p.A.**, Cardano Al Campo (IT)
- (**) Term: **14 Years**
- (21) Appl. No.: **29/406,877**
- (22) Filed: **Nov. 21, 2011**
- (51) **LOC (9) Cl.** **12-11**
- (52) **U.S. Cl.** **D12/408**
- (58) **Field of Classification Search** D12/408,
D12/412, 406, 414, 414.1, 162; 224/416,
224/430, 432, 487-489, 496, 497, 512, 309,
224/556, 530-532, 525, 529, 405, 499, 501,
224/506, 510, 521, 536, 402, 526, 485, 282,
224/519, 924, 545, 511, 547, 555, 568, 572,
224/505, 400, 42.12, 42.13, 42.11, 324, 533,
224/534; 280/495, 769, 415.1, 202, 288.4
See application file for complete search history.

- D505,106 S * 5/2005 Kuseske et al. D12/406
- 7,165,704 B2 * 1/2007 Lo 224/499
- D628,141 S * 11/2010 Weaver et al. D12/408
- D629,350 S * 12/2010 Weaver et al. D12/408
- D630,572 S * 1/2011 Weaver et al. D12/408
- 7,900,801 B2 * 3/2011 Huang 224/500

* cited by examiner

Primary Examiner — Susan M Lee
Assistant Examiner — Linda G. Brooks
(74) *Attorney, Agent, or Firm* — Norman B. Thot

(57) **CLAIM**
The ornamental design for a bicycle rack, as shown and described.

DESCRIPTION

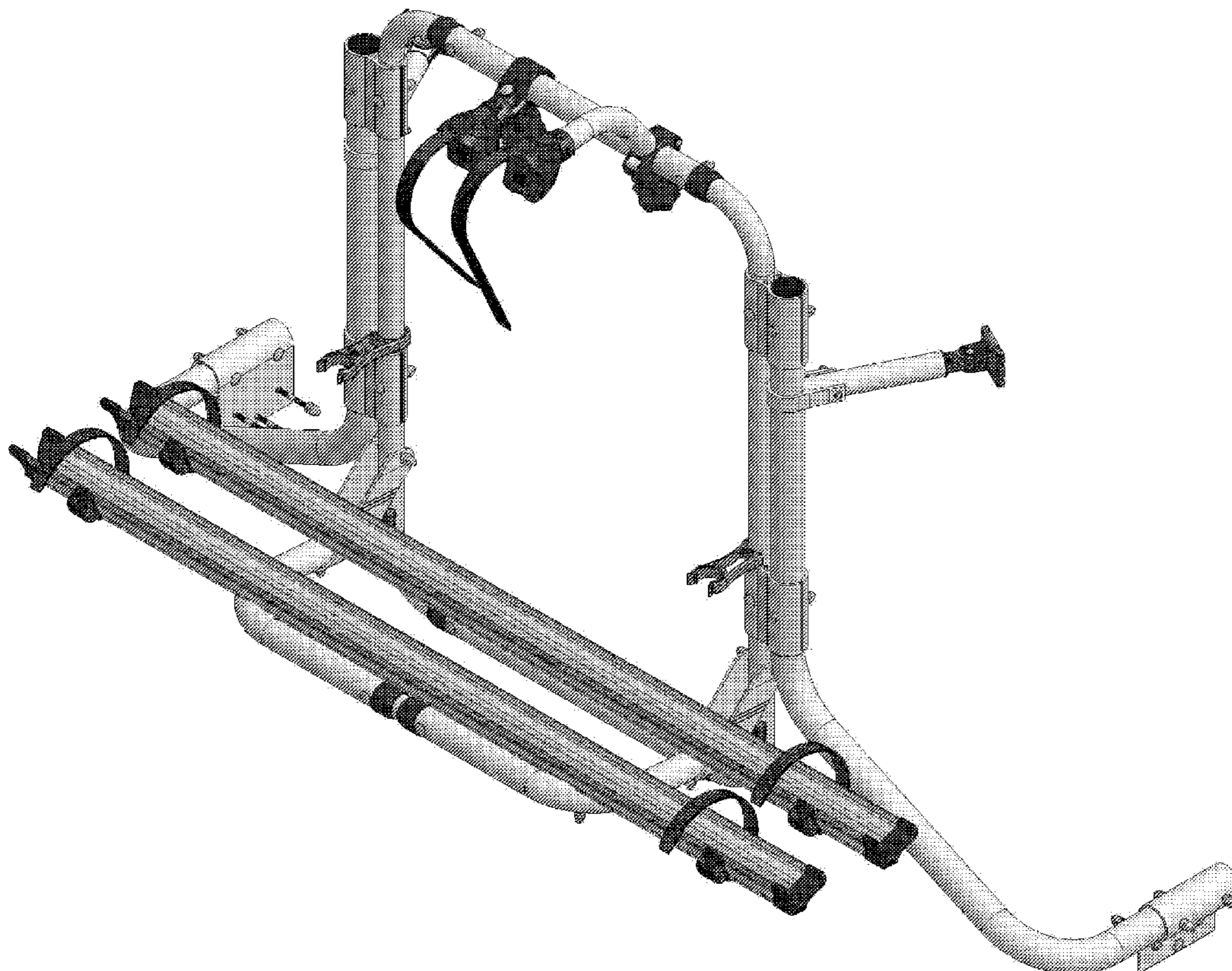
FIG. 1 is a front, right, top-side perspective view of the bicycle rack showing my new design;
FIG. 2 is a back, left, top-side perspective view thereof;
FIG. 3 is a front view thereof;
FIG. 4 is a left view thereof;
FIG. 5 is a top view thereof;
FIG. 6 is a front, right view thereof; and,
FIG. 7 is a back right view thereof.

(56) **References Cited**

U.S. PATENT DOCUMENTS

- 4,815,638 A * 3/1989 Hutyra 224/525
- 4,875,608 A * 10/1989 Graber 224/493

1 Claim, 7 Drawing Sheets



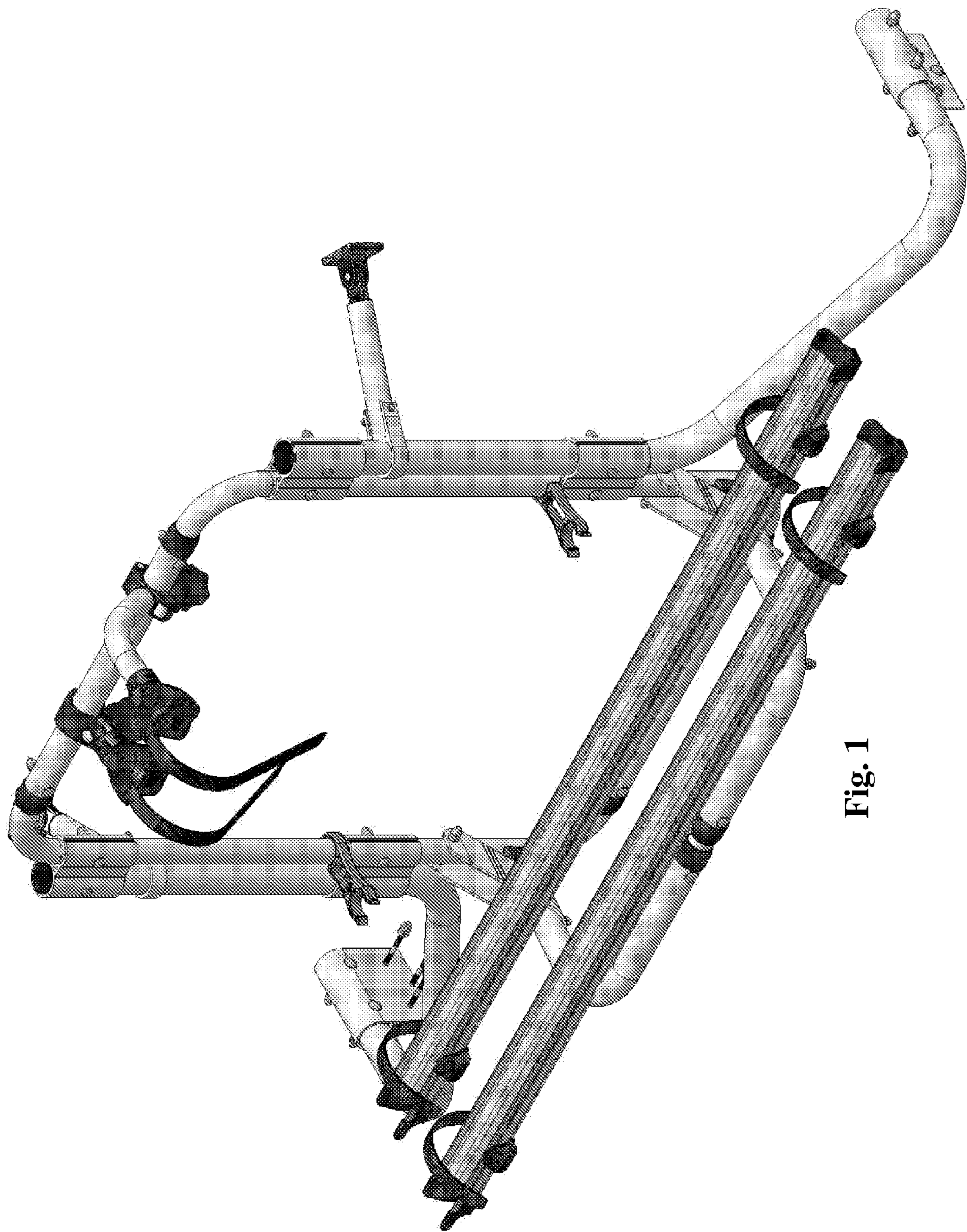


Fig. 1

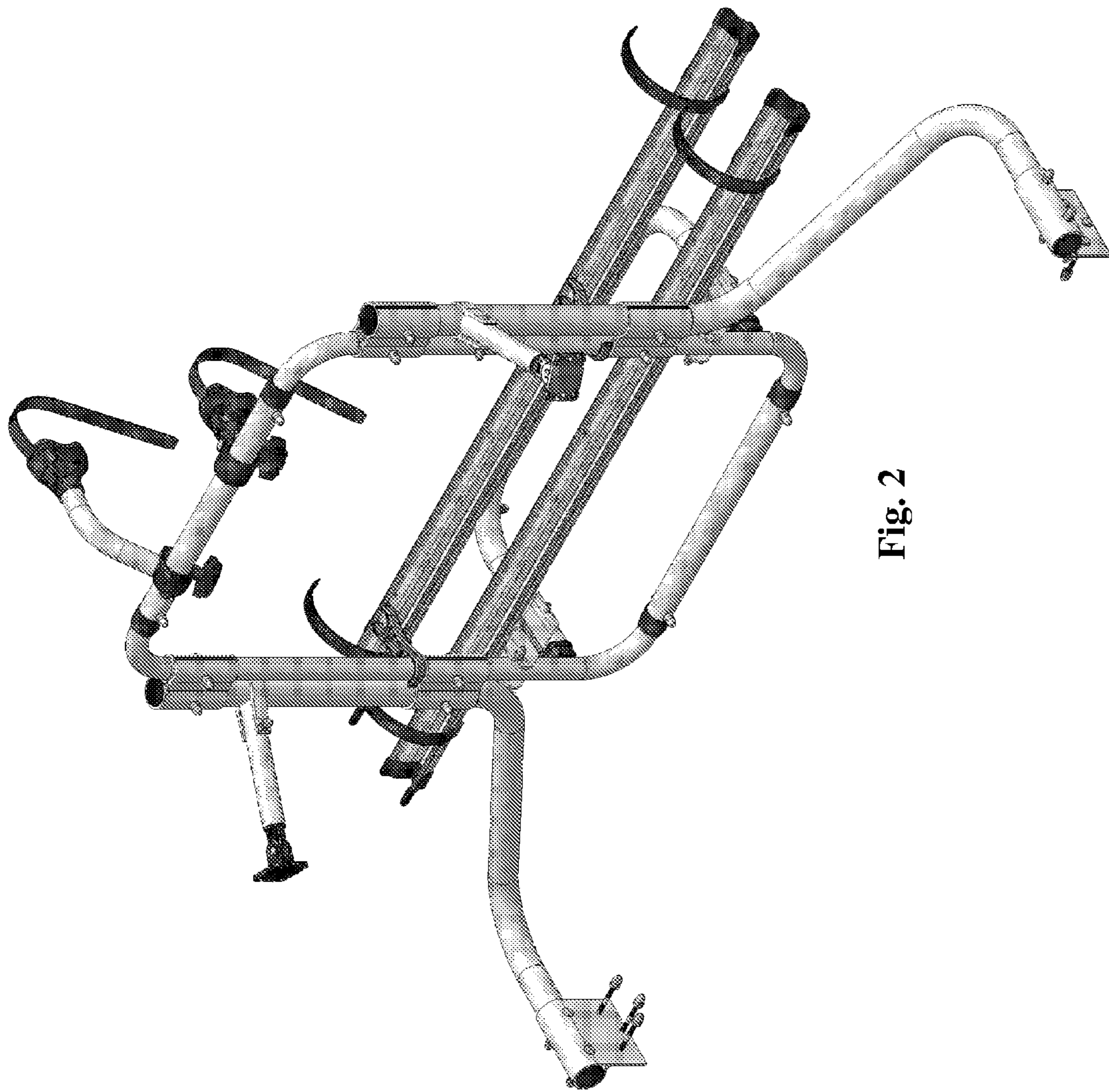


Fig. 2

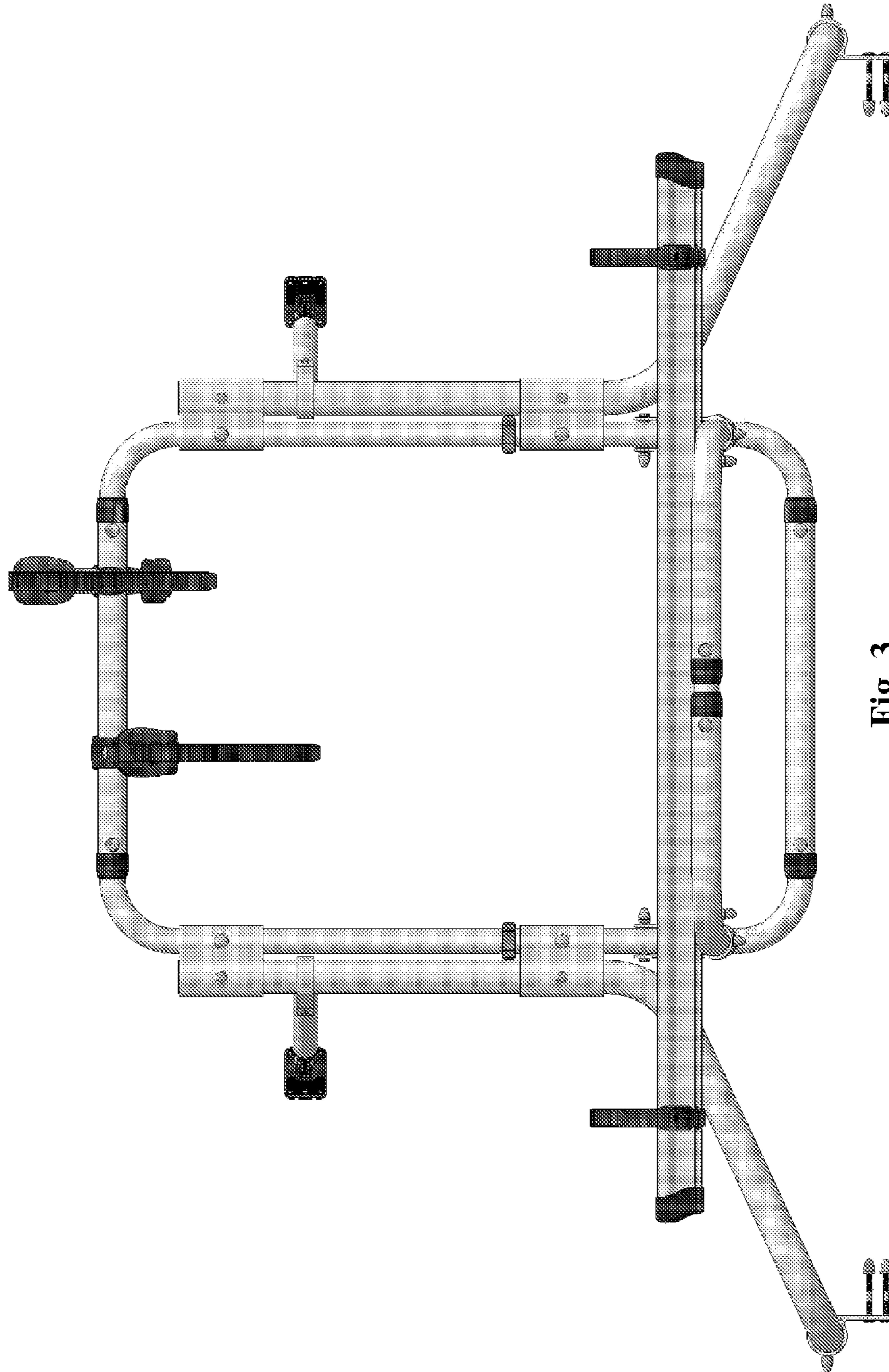


Fig. 3

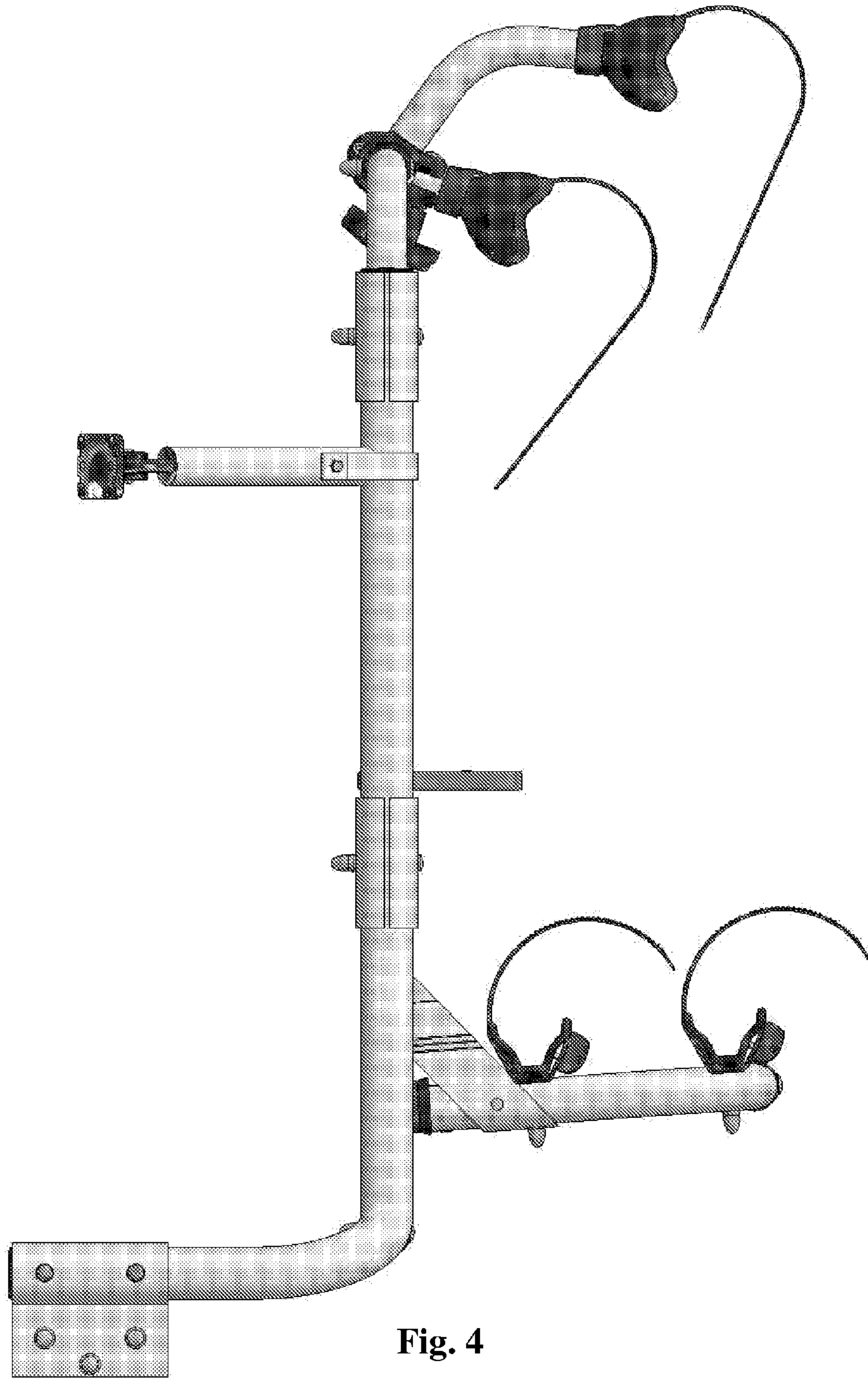


Fig. 4

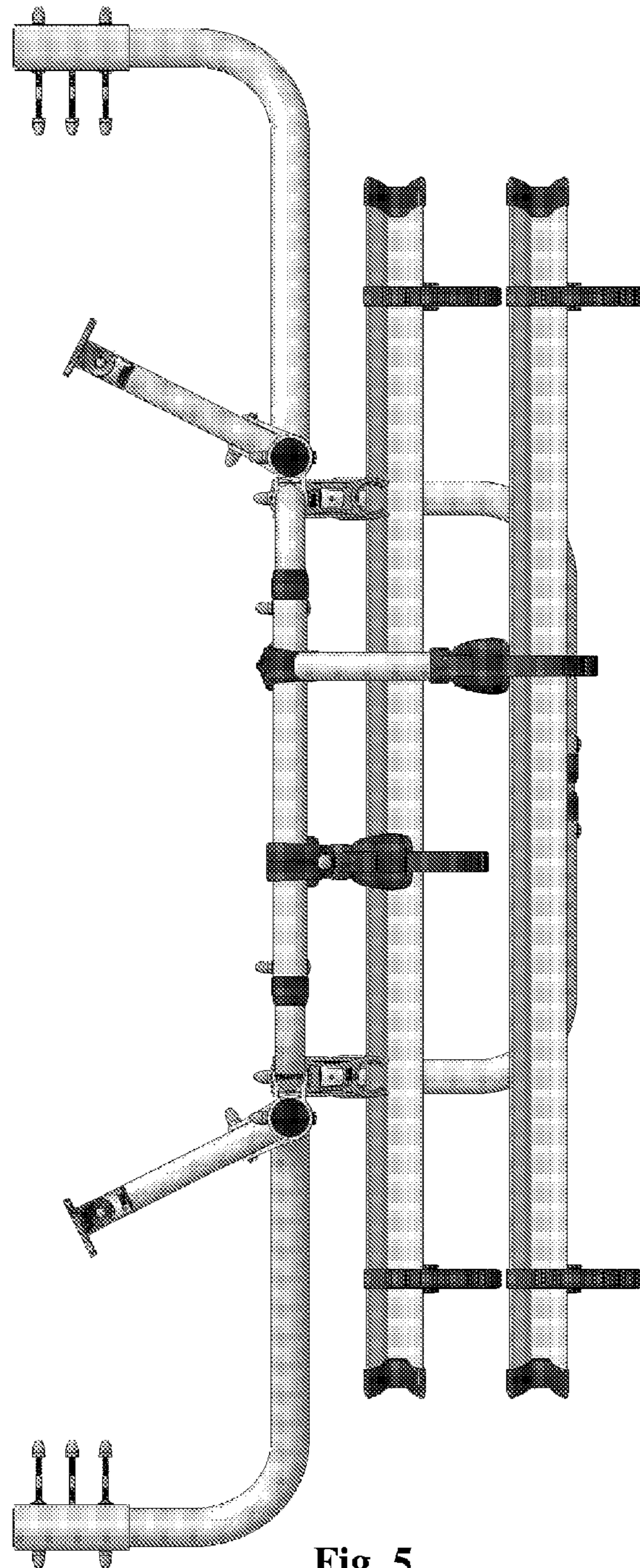


Fig. 5

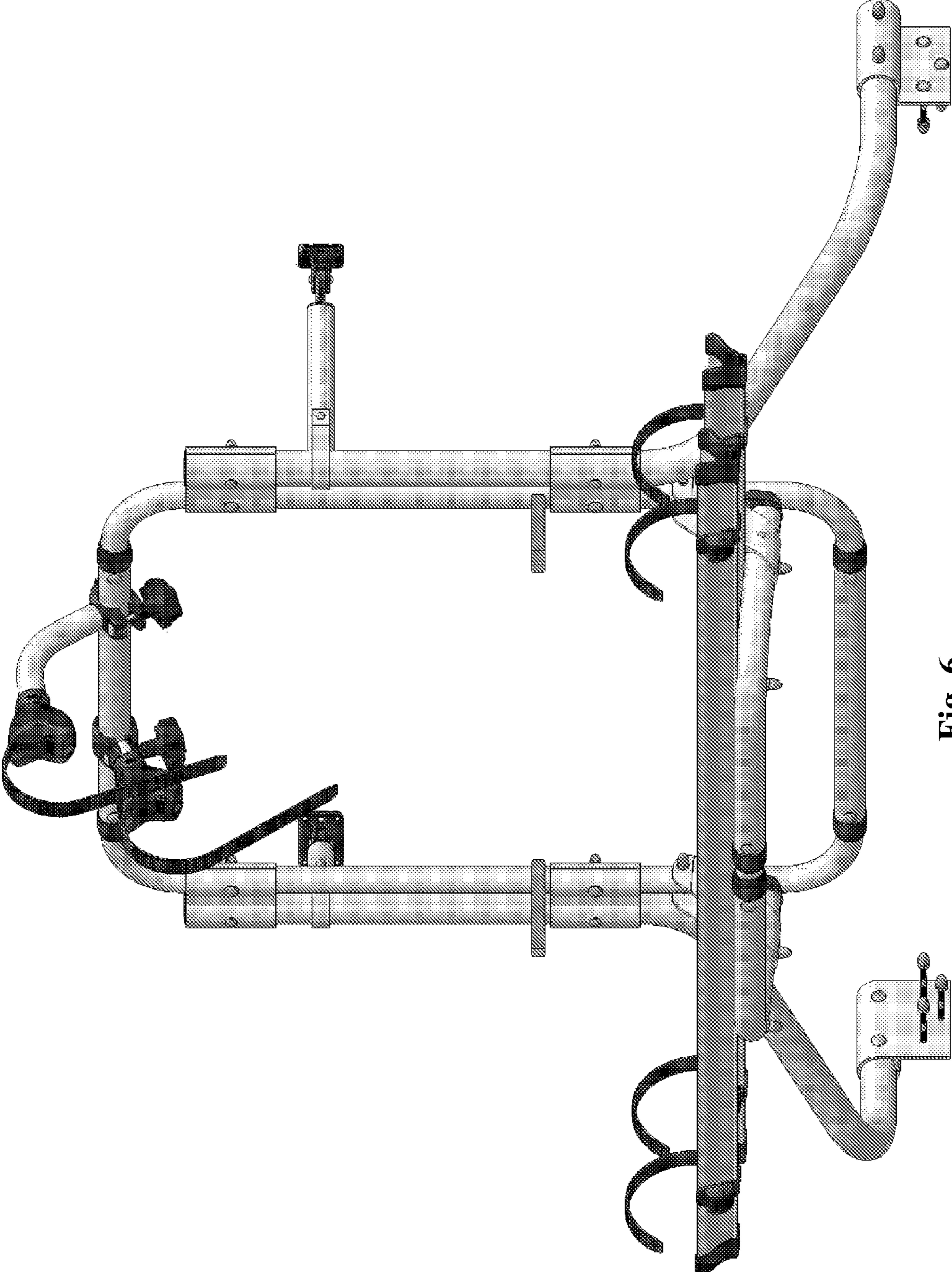


Fig. 6

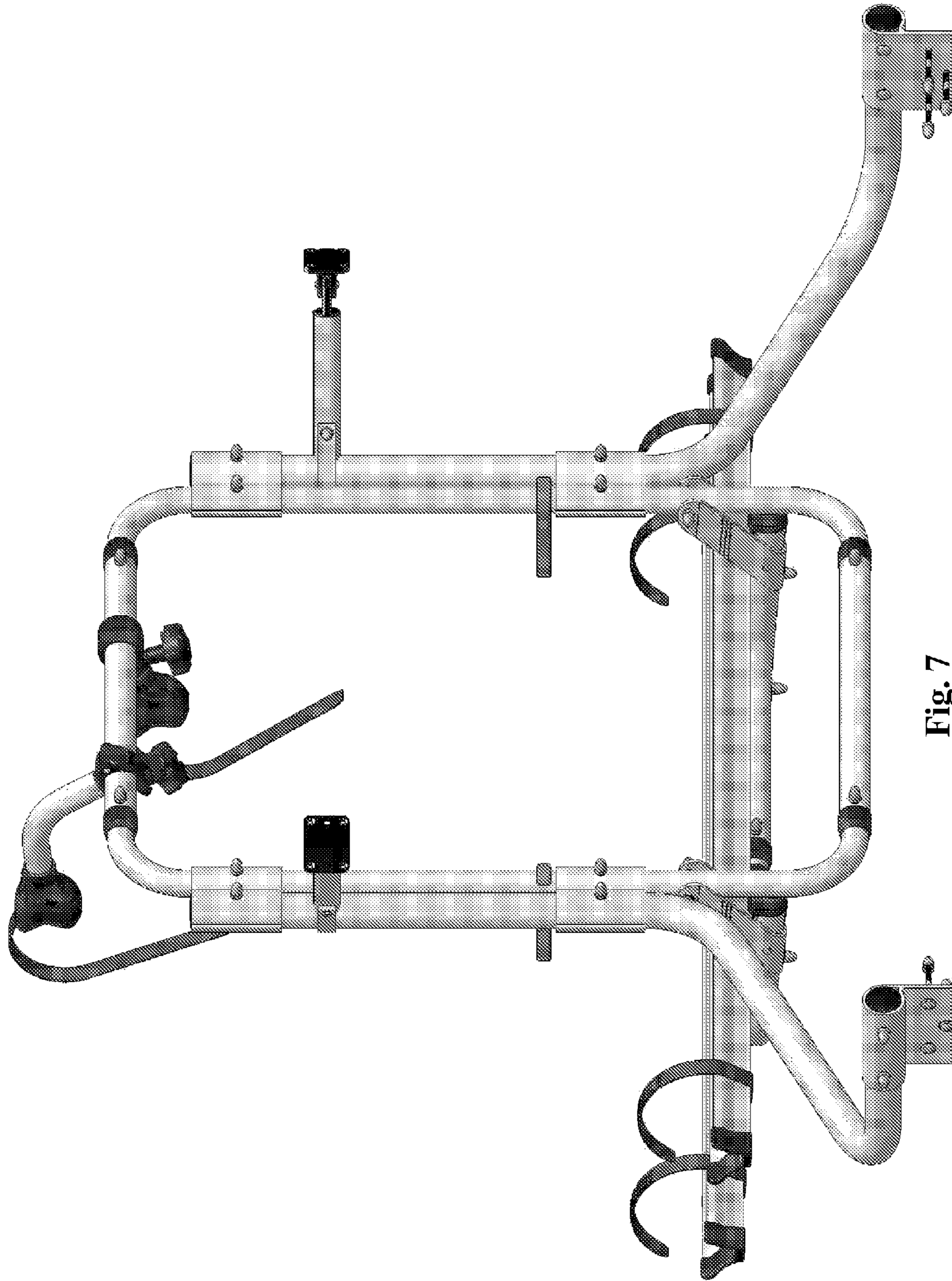


Fig. 7