

US00D669015S

(12) **United States Design Patent**
Turner

(10) **Patent No.:** **US D669,015 S**

(45) **Date of Patent:** **** Oct. 16, 2012**

(54) **TANK SUPPORT**

(76) Inventor: **Mark A. Turner**, Litchfield Park, AZ
(US)

(**) Term: **14 Years**

(21) Appl. No.: **29/410,212**

(22) Filed: **Jan. 5, 2012**

(51) **LOC (9) Cl.** **12-06**

(52) **U.S. Cl.** **D12/406; D12/223**

(58) **Field of Classification Search** D12/401-402,
D12/412-414, 414.1, 406.223; 296/140;
224/309, 327, 328, 321, 402, 488, 493, 315;
280/814

See application file for complete search history.

(56) **References Cited**

U.S. PATENT DOCUMENTS

D326,432 S *	5/1992	McNulty	D12/223
D385,515 S *	10/1997	Gogan et al.	D12/114
D509,468 S *	9/2005	Viger	D12/223
D540,735 S *	4/2007	Jen-Yu	D12/223

D570,175 S *	6/2008	Bingham	D8/70
D573,524 S *	7/2008	Smith et al.	D12/223
D601,936 S *	10/2009	Mirabal	D12/223

* cited by examiner

Primary Examiner — Richard E Chilcot

Assistant Examiner — Katrina A Betton

(74) *Attorney, Agent, or Firm* — The von Hellens Law Firm,
Ltd.

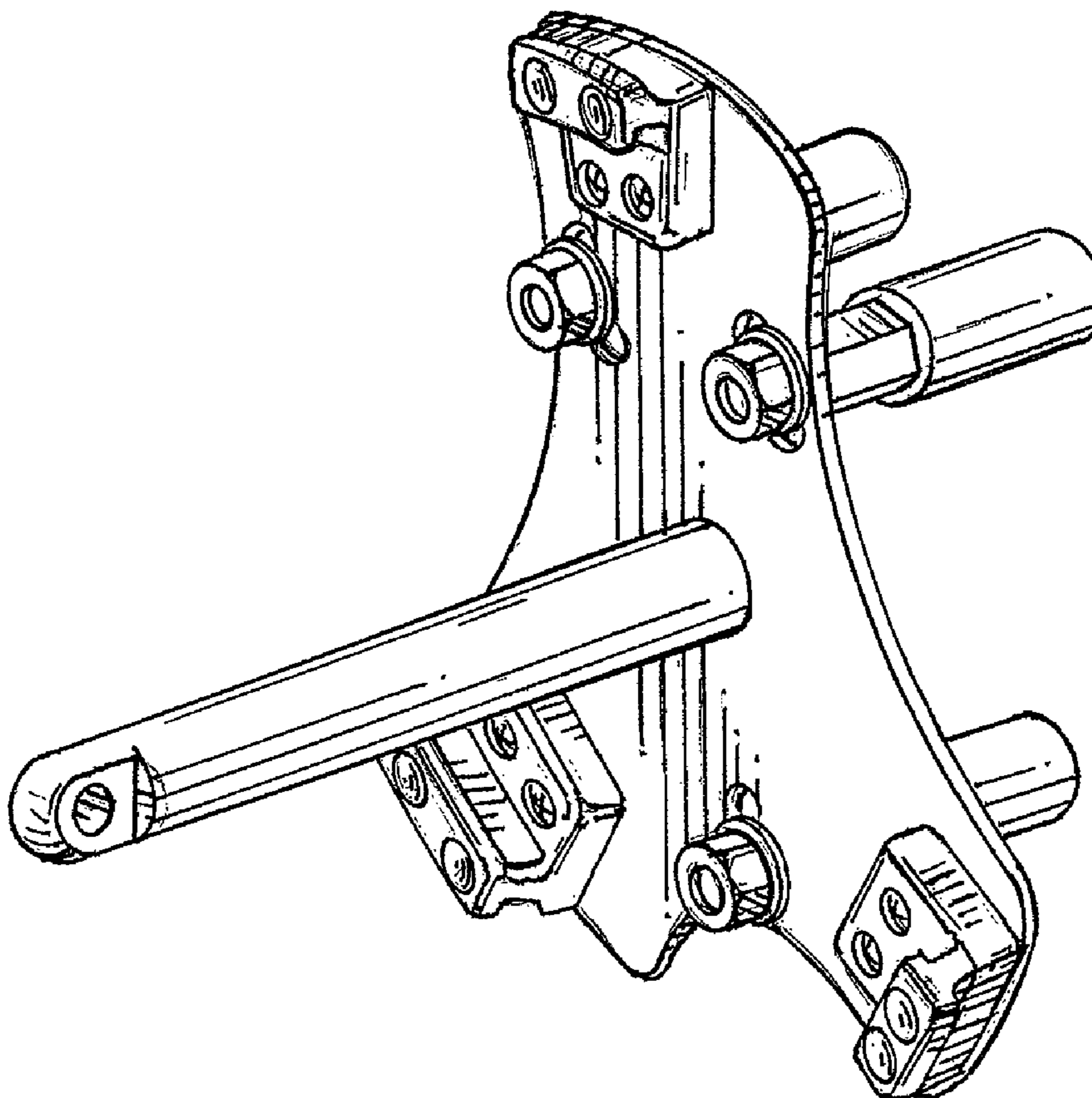
(57) **CLAIM**

The ornamental design for a tank support, as shown and described.

DESCRIPTION

FIG. 1 is an isometric view from the front, right and top of a tank support showing my new design; FIG. 2 is a front elevational view thereof; FIG. 3 is a right side elevational view thereof, the left side elevational view being a mirror image; FIG. 4 is a rear elevational view thereof; FIG. 5 is a top view thereof; and, FIG. 6 is a bottom view thereof.

1 Claim, 2 Drawing Sheets



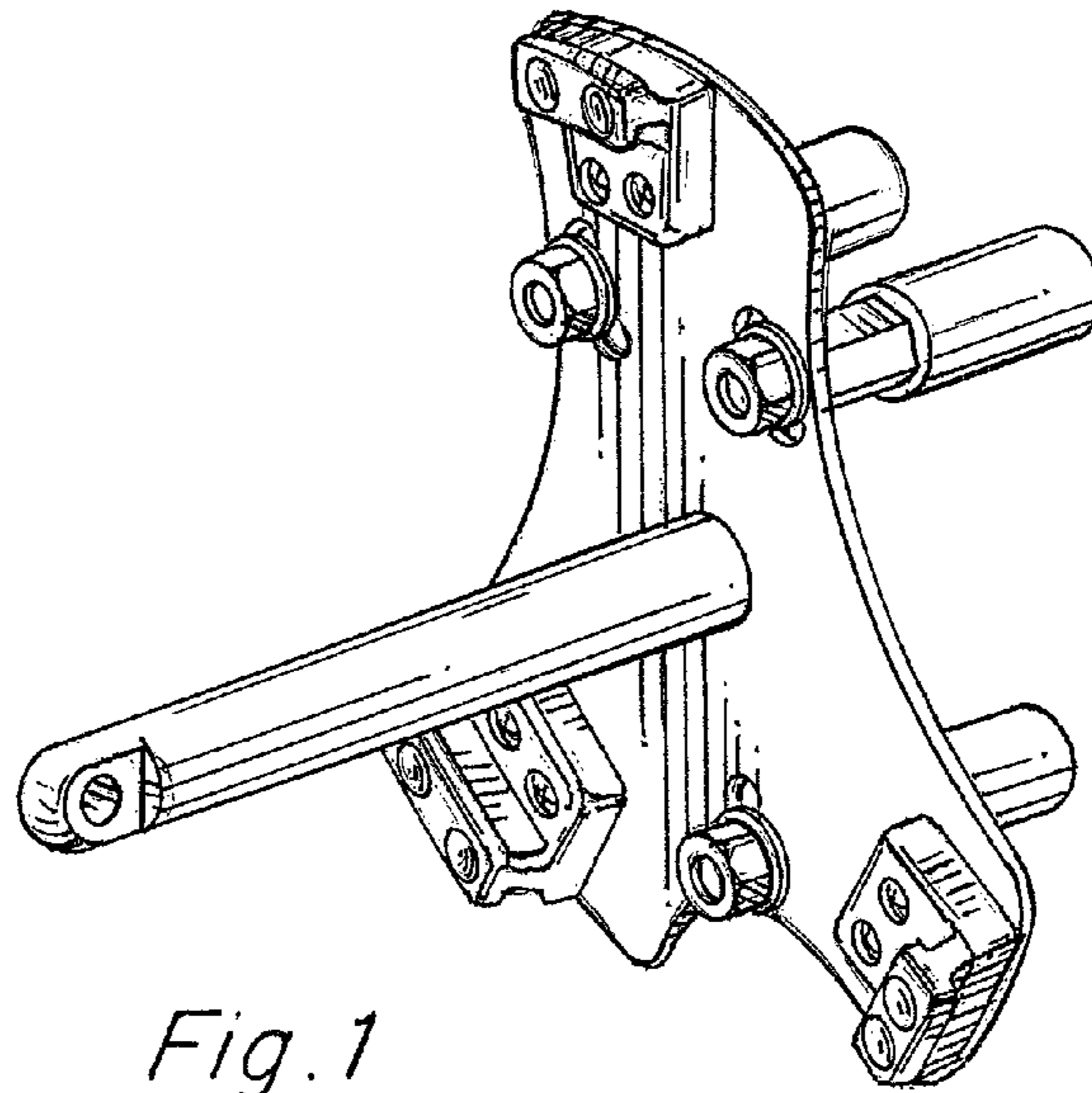


Fig. 1

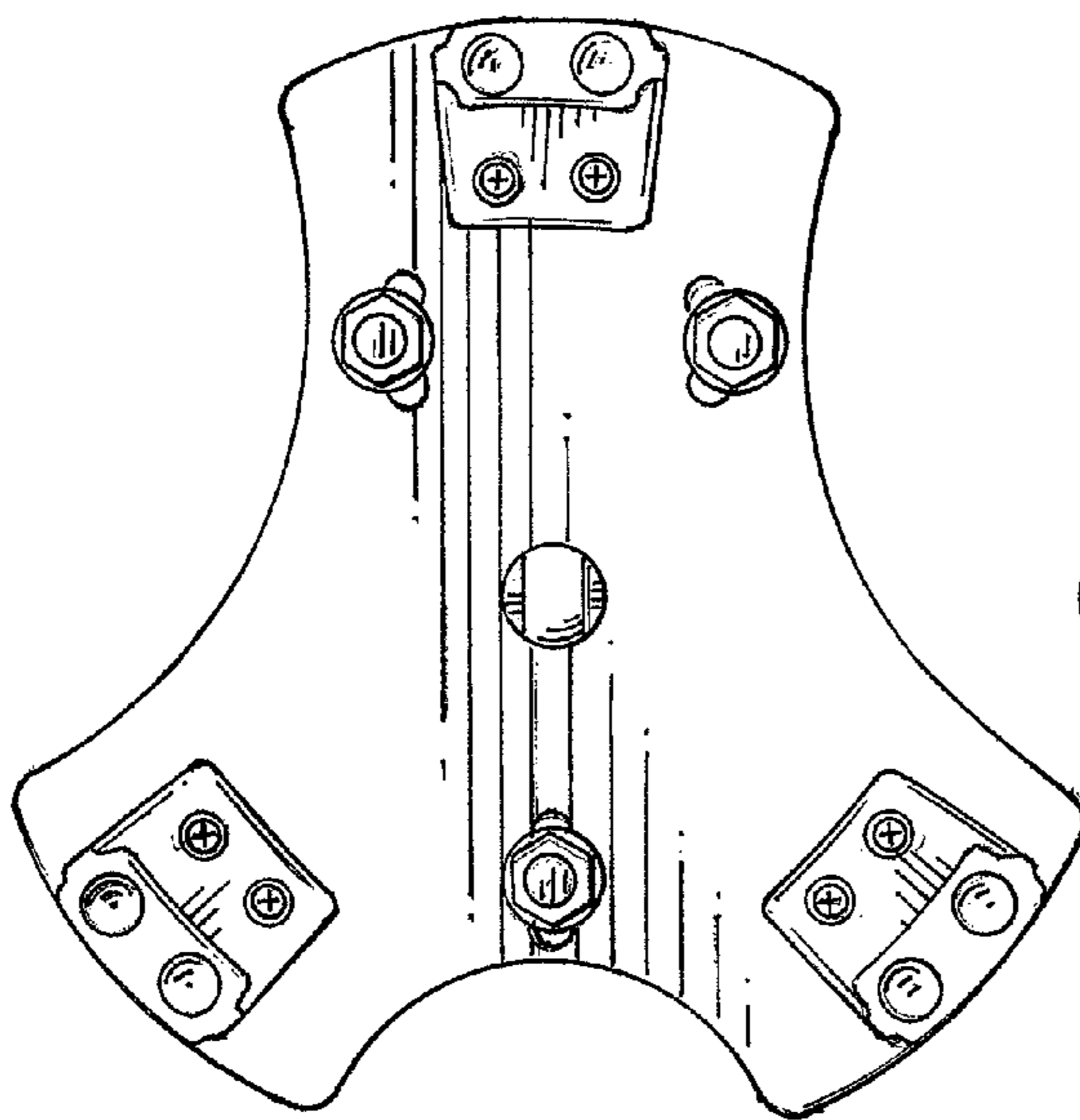


Fig. 2

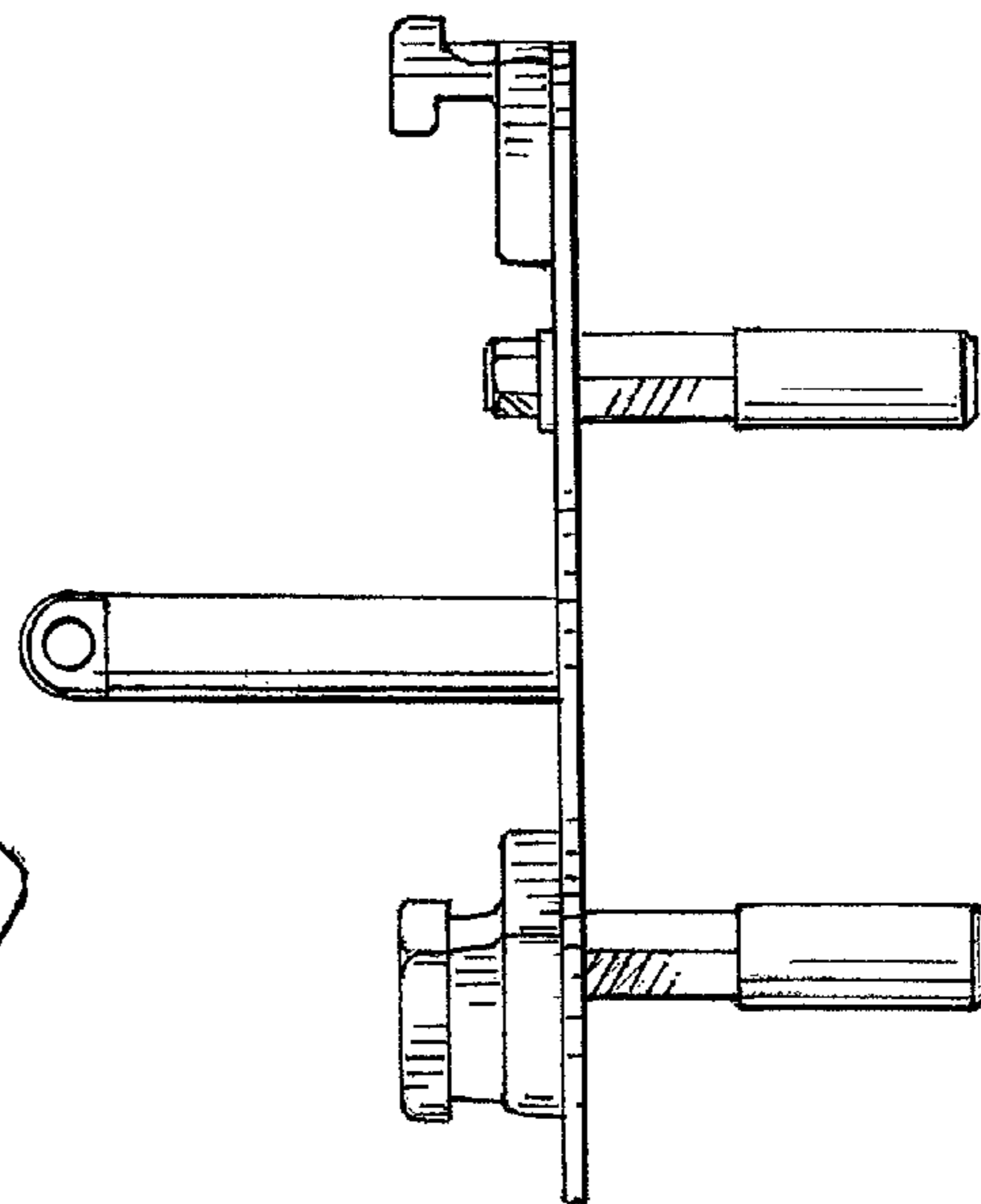


Fig. 3

