



US00D669014S

(12) **United States Design Patent**  
**Matijevich**

(10) **Patent No.:** **US D669,014 S**

(45) **Date of Patent:** **\*\* Oct. 16, 2012**

(54) **TRUCK CRADLE ASSEMBLY**

(75) Inventor: **Tony Matijevich**, Chino, CA (US)

(73) Assignee: **Creative Bus Sales, Inc.**, Chino, CA (US)

(\*\*) Term: **14 Years**

(21) Appl. No.: **29/378,316**

(22) Filed: **Nov. 2, 2010**

(51) **LOC (9) Cl.** ..... **12-16**

(52) **U.S. Cl.** ..... **D12/406**; D12/223

(58) **Field of Classification Search** ..... D12/401-402,  
D12/412-414, 414.1, 406, 223; 296/140;  
224/309, 327, 328, 321, 402, 488, 493, 315;  
280/814

See application file for complete search history.

(56) **References Cited**

**U.S. PATENT DOCUMENTS**

D398,283 S *	9/1998	Miller	.....	D12/223
D523,802 S *	6/2006	Reimitz	.....	D12/223
D523,803 S *	6/2006	Smith et al.	.....	D12/223
D579,402 S *	10/2008	Ball et al.	.....	D12/223
D603,780 S *	11/2009	Peschmann	.....	D12/223
D605,102 S *	12/2009	Peschmann	.....	D12/223

D611,317 S *	3/2010	McGrath et al.	.....	D12/223
D611,887 S *	3/2010	Peschmann	.....	D12/223
D633,427 S *	3/2011	Marr, Jr.	.....	D12/223

\* cited by examiner

*Primary Examiner* — Richard E Chilcot

*Assistant Examiner* — Katrina A Betton

(74) *Attorney, Agent, or Firm* — Hani Z. Sayed; Rutan & Tucker, LLP

(57) **CLAIM**

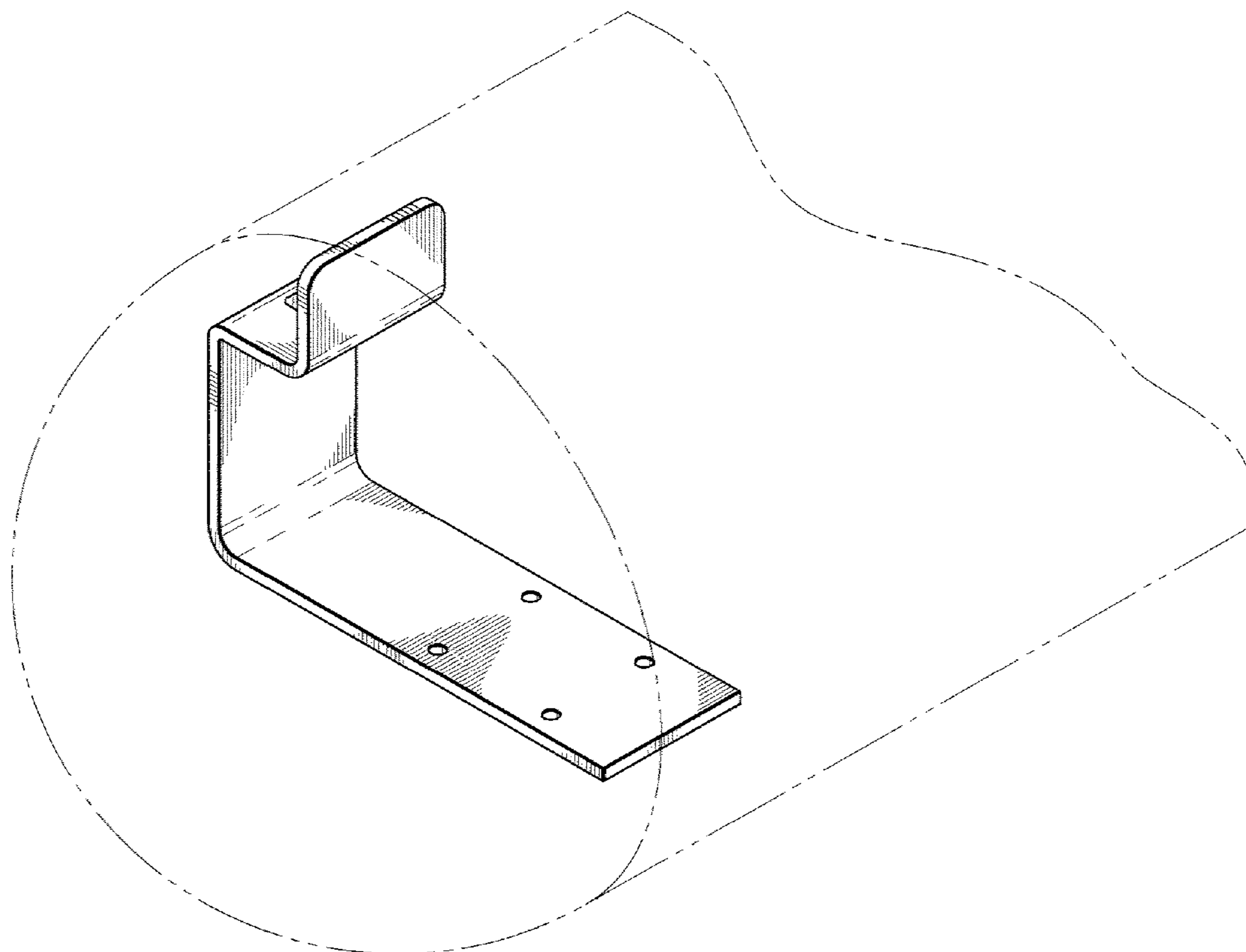
The ornamental design for truck cradle assembly, as shown and described.

**DESCRIPTION**

FIG. 1 is a top, front left side perspective view of an embodiment of a truck cradle assembly showing my new design; FIG. 2 is a rear elevation view; FIG. 3 is a left side elevation view; FIG. 4 is a right side elevation view; FIG. 5 is a top plane view; and, FIG. 6 is a bottom plane view.

In the drawings, the broken lines in FIG. 1 depict structures that form no part of the claim.

**1 Claim, 2 Drawing Sheets**



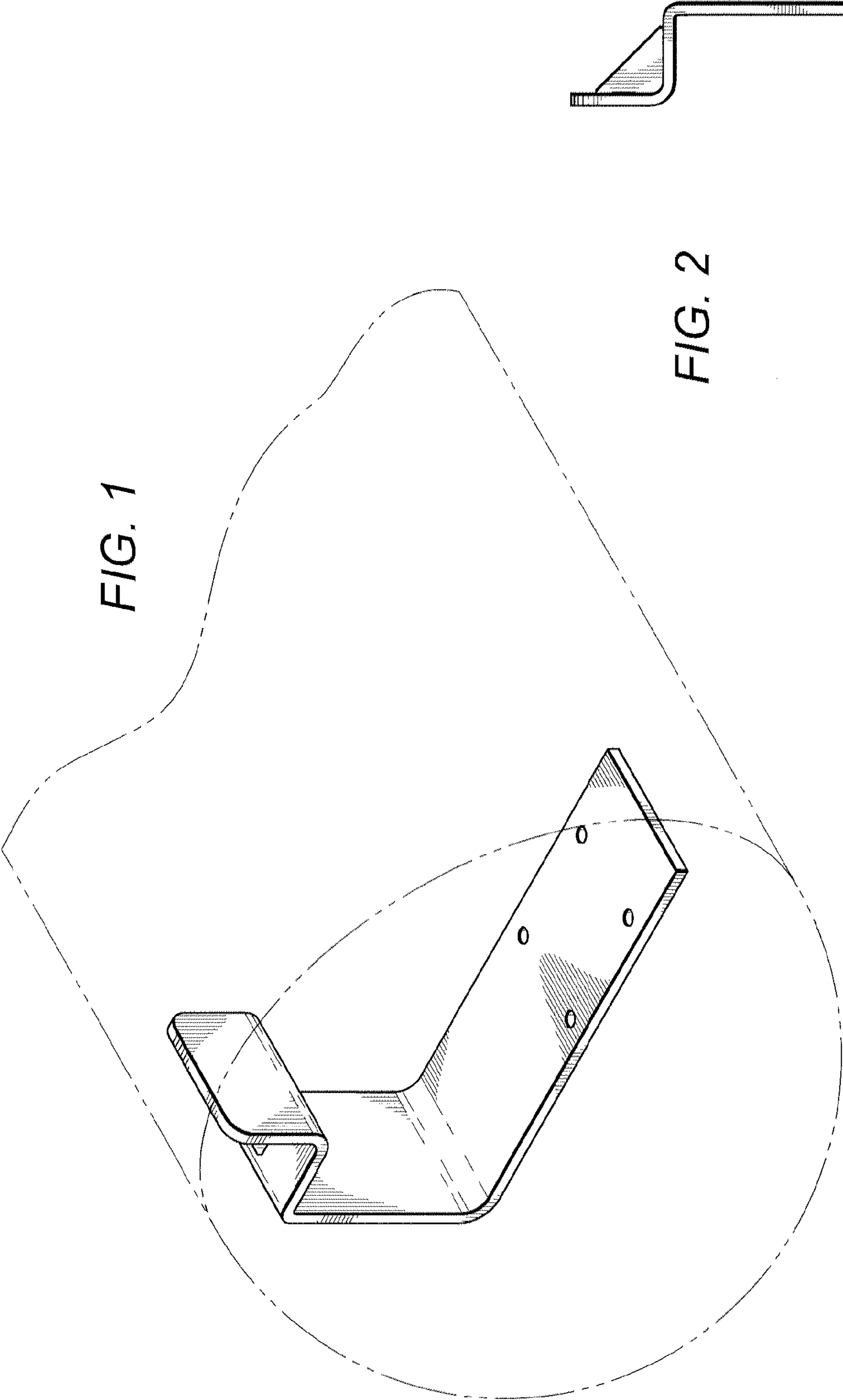


FIG. 1

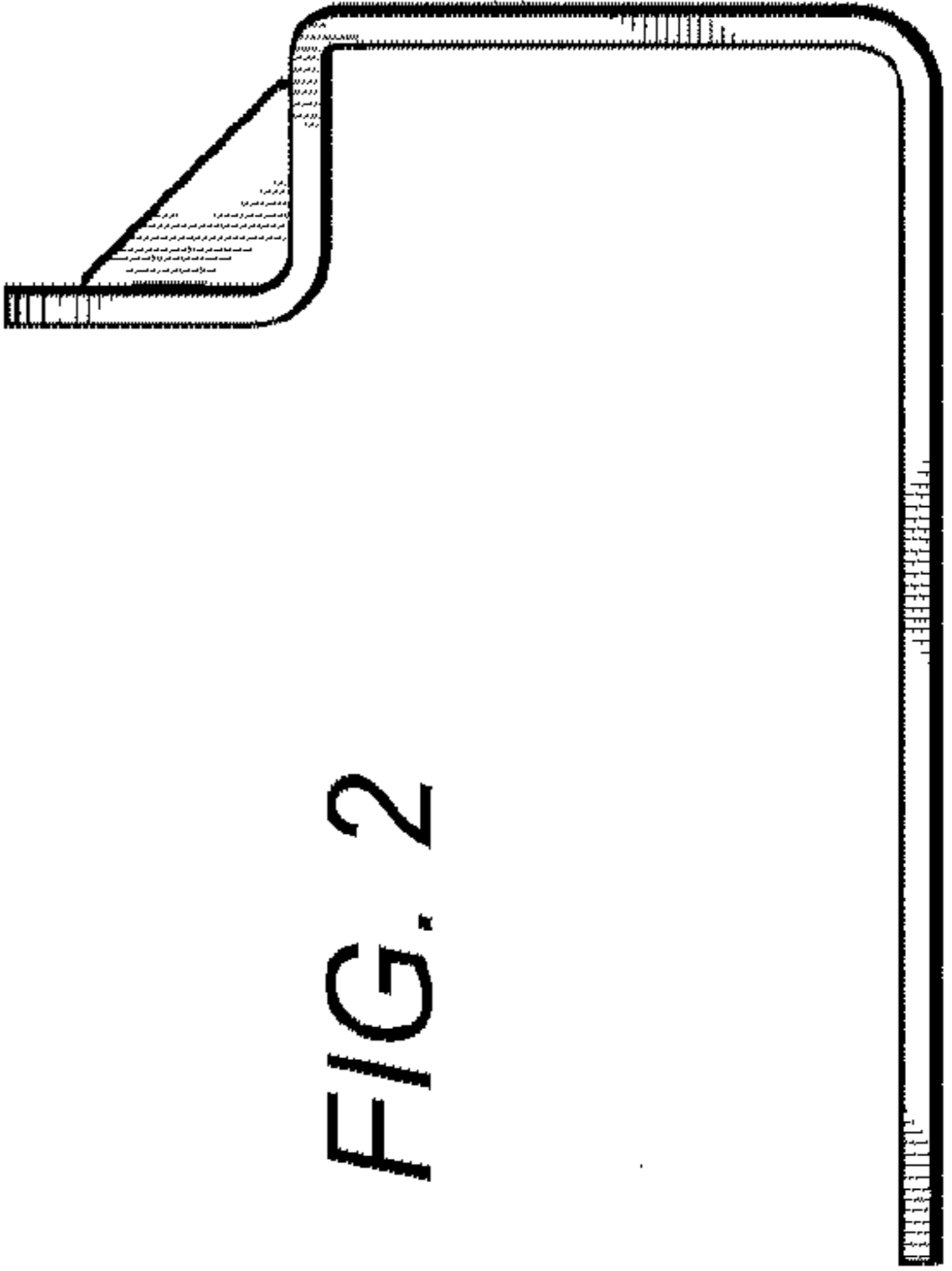


FIG. 2

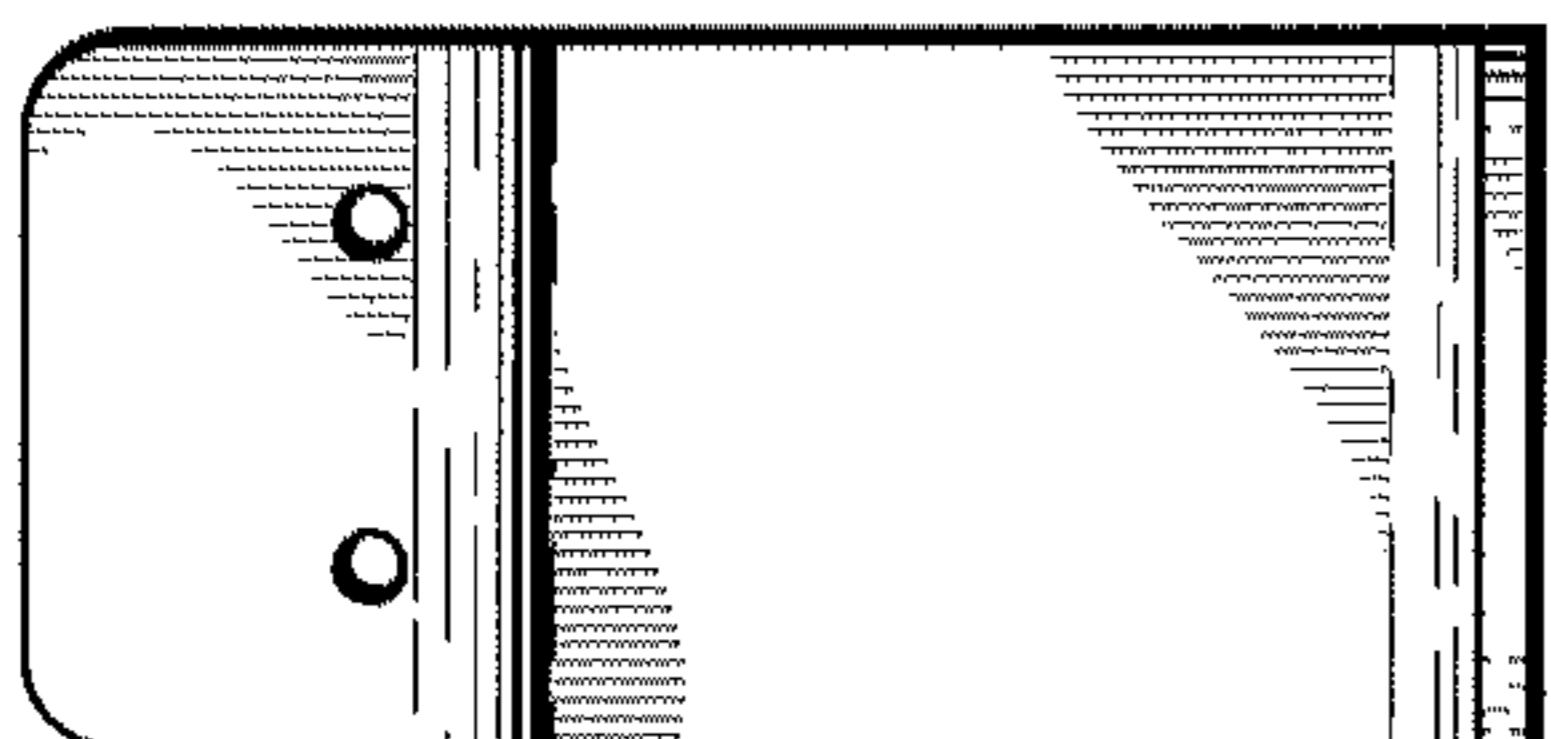


FIG. 3

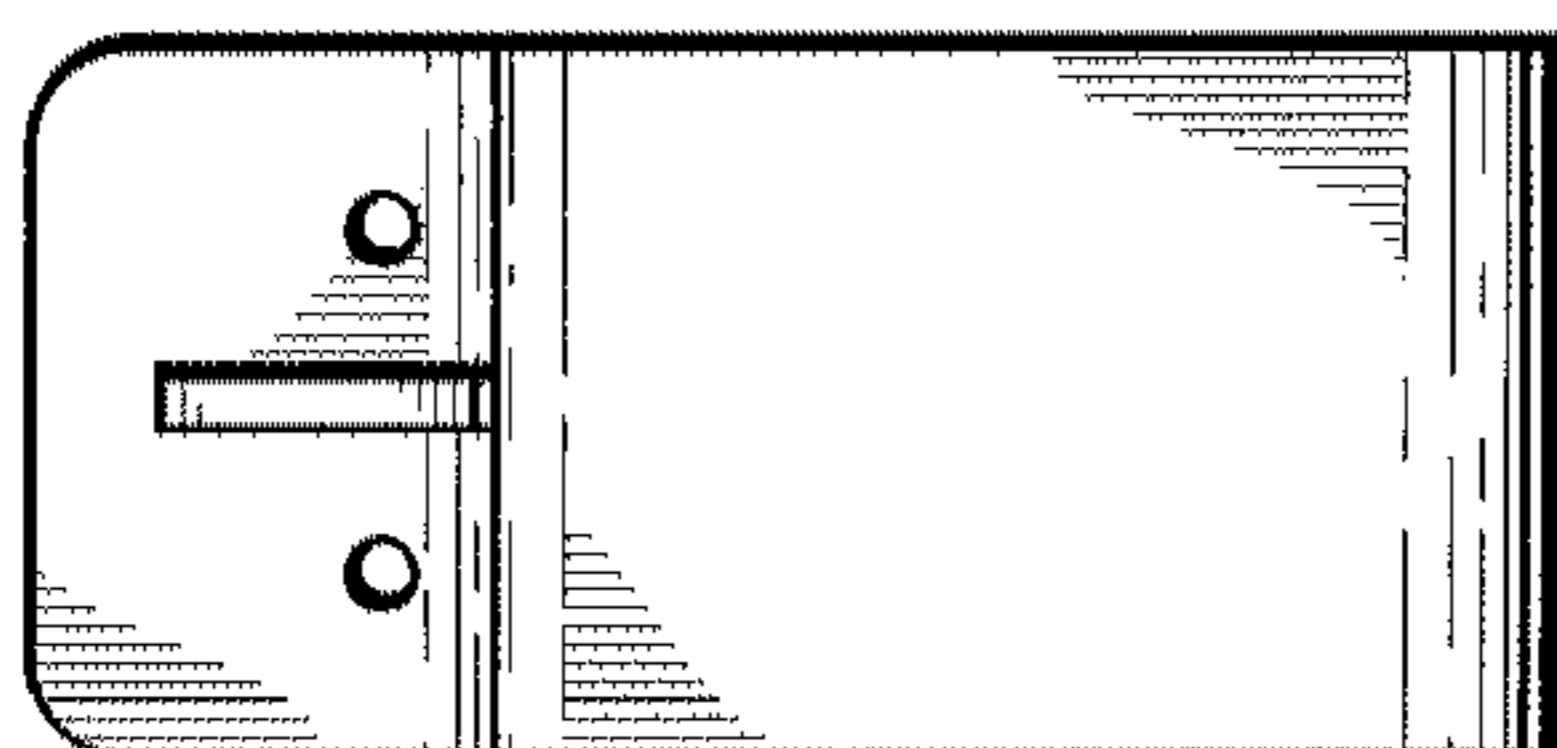


FIG. 4

FIG. 5

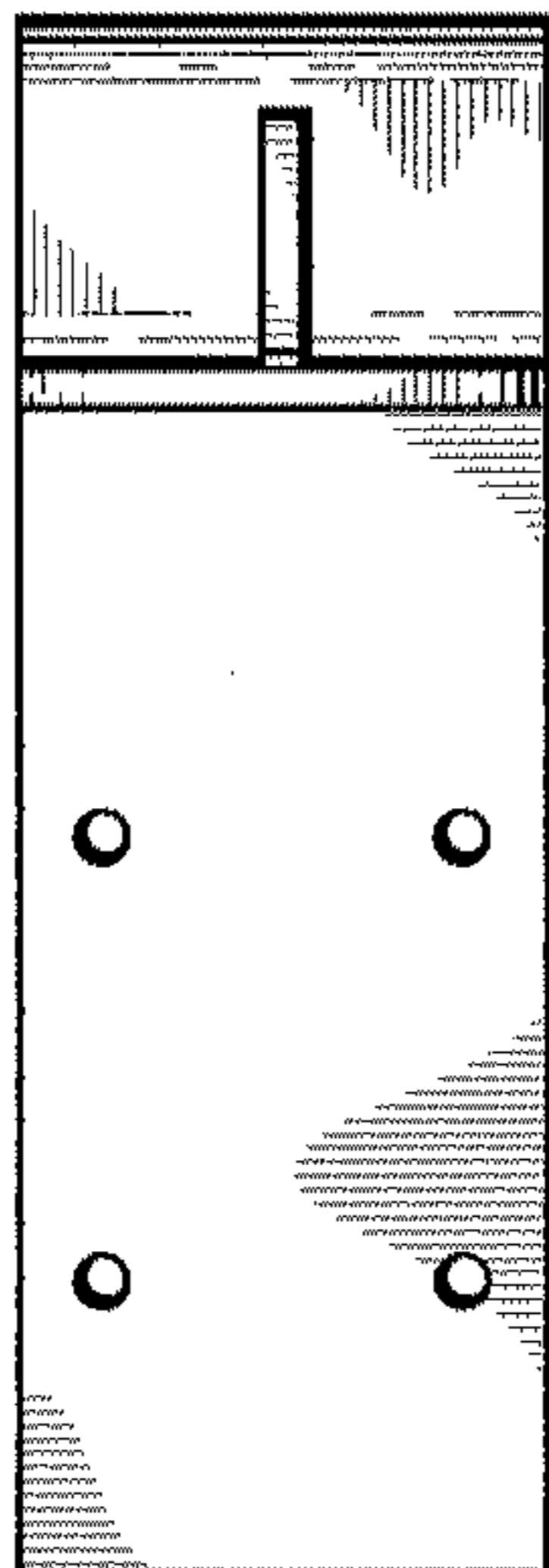


FIG. 6

