



US00D669011S

(12) **United States Design Patent**
Chung

(10) **Patent No.:** **US D669,011 S**

(45) **Date of Patent:** **** Oct. 16, 2012**

(54) **WHEEL**

(75) Inventor: **Suny Chung**, Yorba Linda, CA (US)

(73) Assignee: **Wheel Pros, LLC**, Lakewood, CO (US)

(**) Term: **14 Years**

(21) Appl. No.: **29/425,197**

(22) Filed: **Jun. 20, 2012**

(51) **LOC (9) Cl.** **12-16**

(52) **U.S. Cl.** **D12/211**

(58) **Field of Classification Search** D12/204-213;
301/37.101, 64.101, 65, 64.201

See application file for complete search history.

(56) **References Cited**

U.S. PATENT DOCUMENTS

D480,672 S *	10/2003	Pfeiffer et al.	D12/209
D487,242 S *	3/2004	Lecher et al.	D12/211
D493,405 S *	7/2004	Boyer	D12/211
D499,681 S *	12/2004	Boyer	D12/209
D508,671 S *	8/2005	Baum	D12/209
D510,719 S *	10/2005	Noble	D12/211
D513,221 S *	12/2005	Pfeiffer	D12/211
D525,577 S *	7/2006	Laengerer	D12/211
D536,294 S *	2/2007	Laengerer	D12/211
D589,423 S *	3/2009	Juergens et al.	D12/209
D597,013 S *	7/2009	Chung	D12/211
D597,917 S *	8/2009	Chung	D12/209
D619,072 S *	7/2010	Gallert	D12/211
D620,872 S *	8/2010	Juergens et al.	D12/211
D623,110 S *	9/2010	Juergens et al.	D12/209
D623,574 S *	9/2010	Thompson	D12/211

D643,793 S *	8/2011	Juergens et al.	D12/209
D651,958 S *	1/2012	Chung	D12/209
D662,868 S *	7/2012	Furst et al.	D12/209

* cited by examiner

Primary Examiner — Stacia Cadmus

(74) *Attorney, Agent, or Firm* — Garcia-Zamor IP Law; Ruy M. Garcia-Zamor

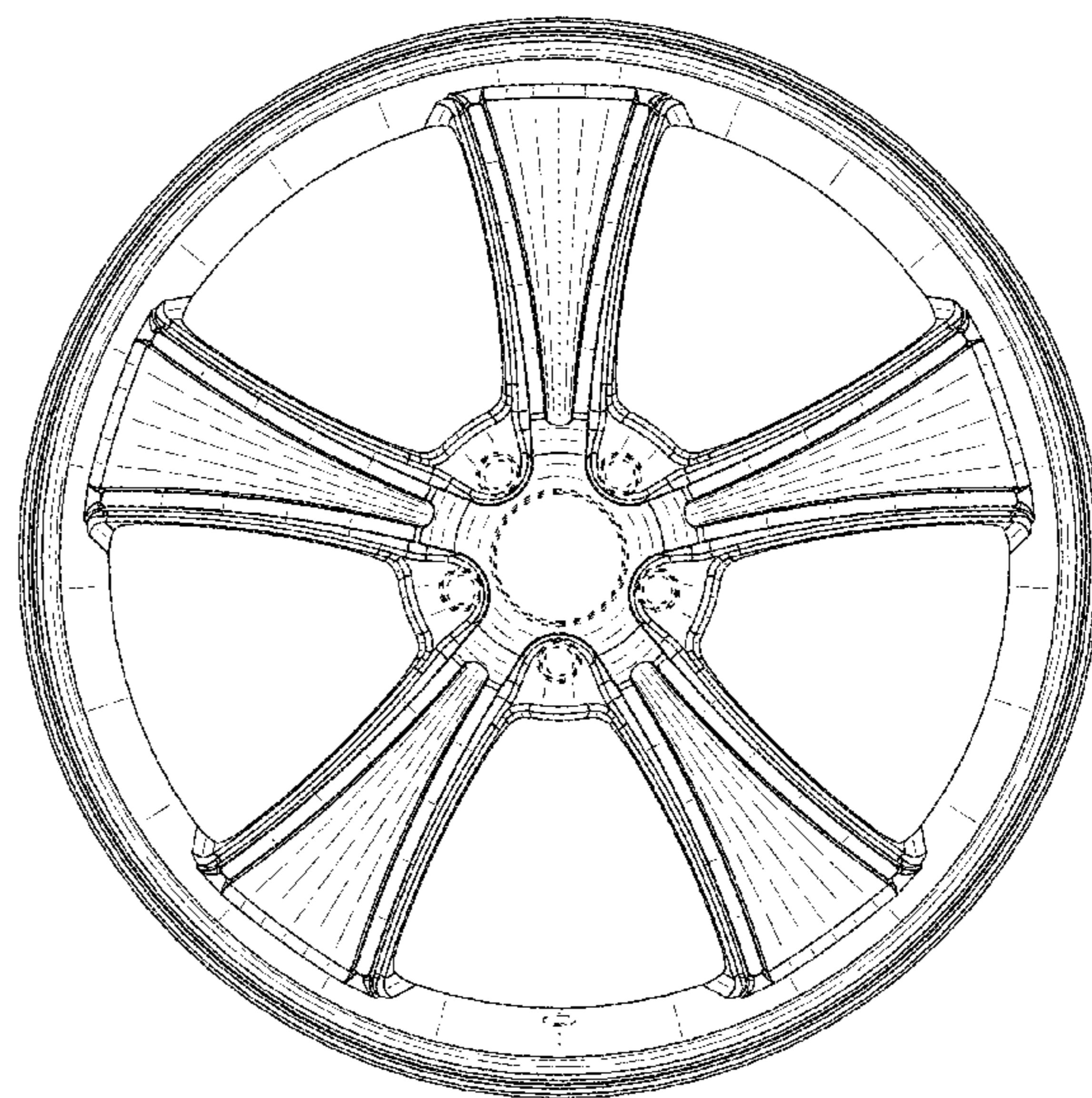
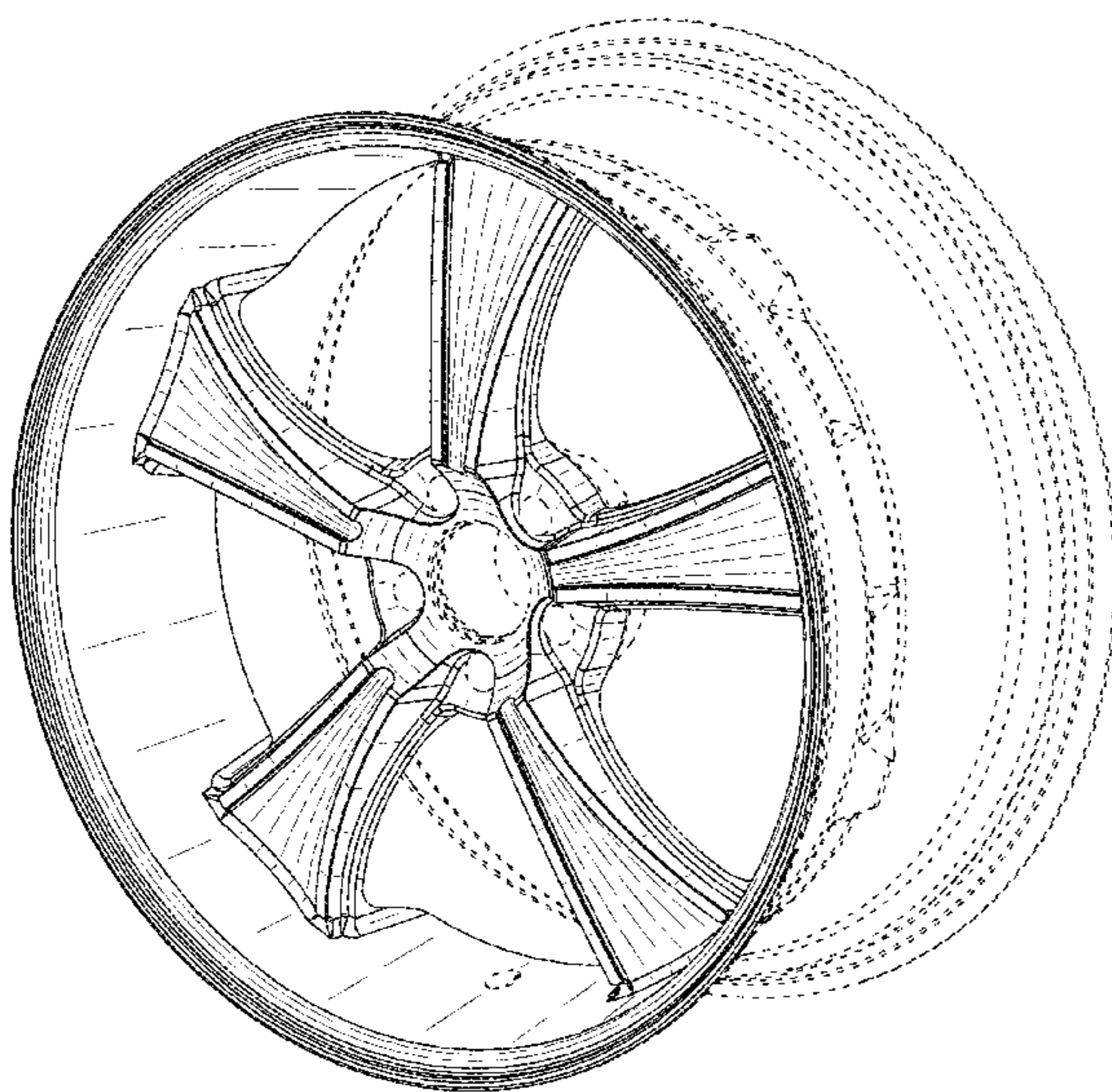
(57) **CLAIM**

The ornamental design for a wheel, as shown and described.

DESCRIPTION

FIG. 1 is a perspective view of a wheel my new design;
 FIG. 2 is a front elevational view of the wheel of FIG. 1;
 FIG. 3 is a left side elevational view of the wheel of FIG. 1, the right side elevational view of the wheel of FIG. 1 is a mirror image of FIG. 3;
 FIG. 4 is a top plan view of the wheel of FIG. 1;
 FIG. 5 is a bottom plan view of the wheel of FIG. 1;
 FIG. 6 is a rear elevational view of the wheel of FIG. 1;
 FIG. 7 is a perspective view of a wheel according to a second preferred embodiment of my new design;
 FIG. 8 is a front elevational view of the wheel of FIG. 7;
 FIG. 9 is a left side elevational view of the wheel of FIG. 7, the right side elevational view of the wheel of FIG. 7 is a mirror image of FIG. 9;
 FIG. 10 is a top plan view of the wheel of FIG. 7;
 FIG. 11 is a bottom plan view of the wheel of FIG. 7; and,
 FIG. 12 is a rear elevational view of the wheel of FIG. 7.
 The broken lines in FIGS. 1-12 represent environment and are for illustrative purposes only and do not constitute part of the claimed design.

1 Claim, 10 Drawing Sheets



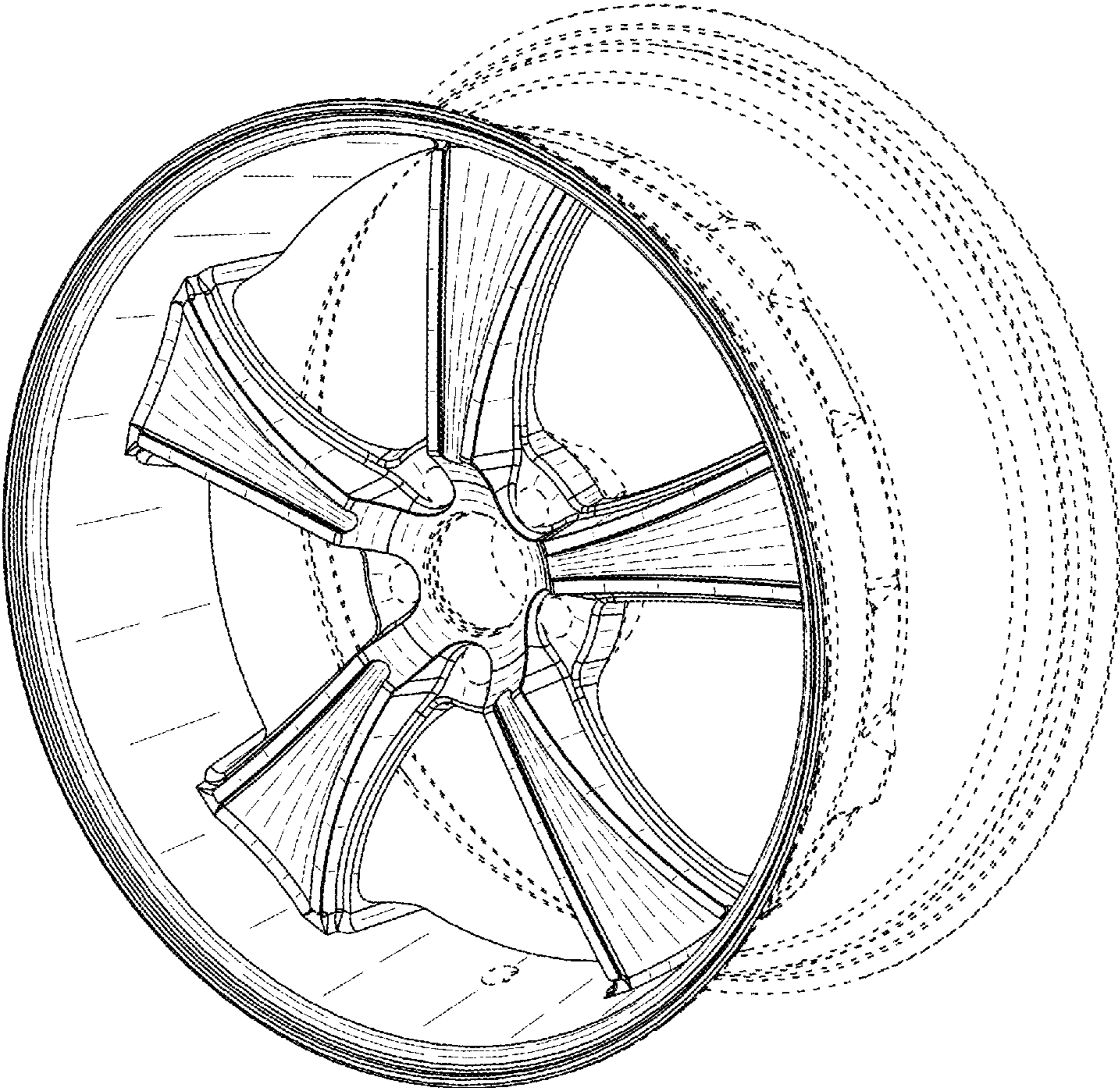


FIG. 1

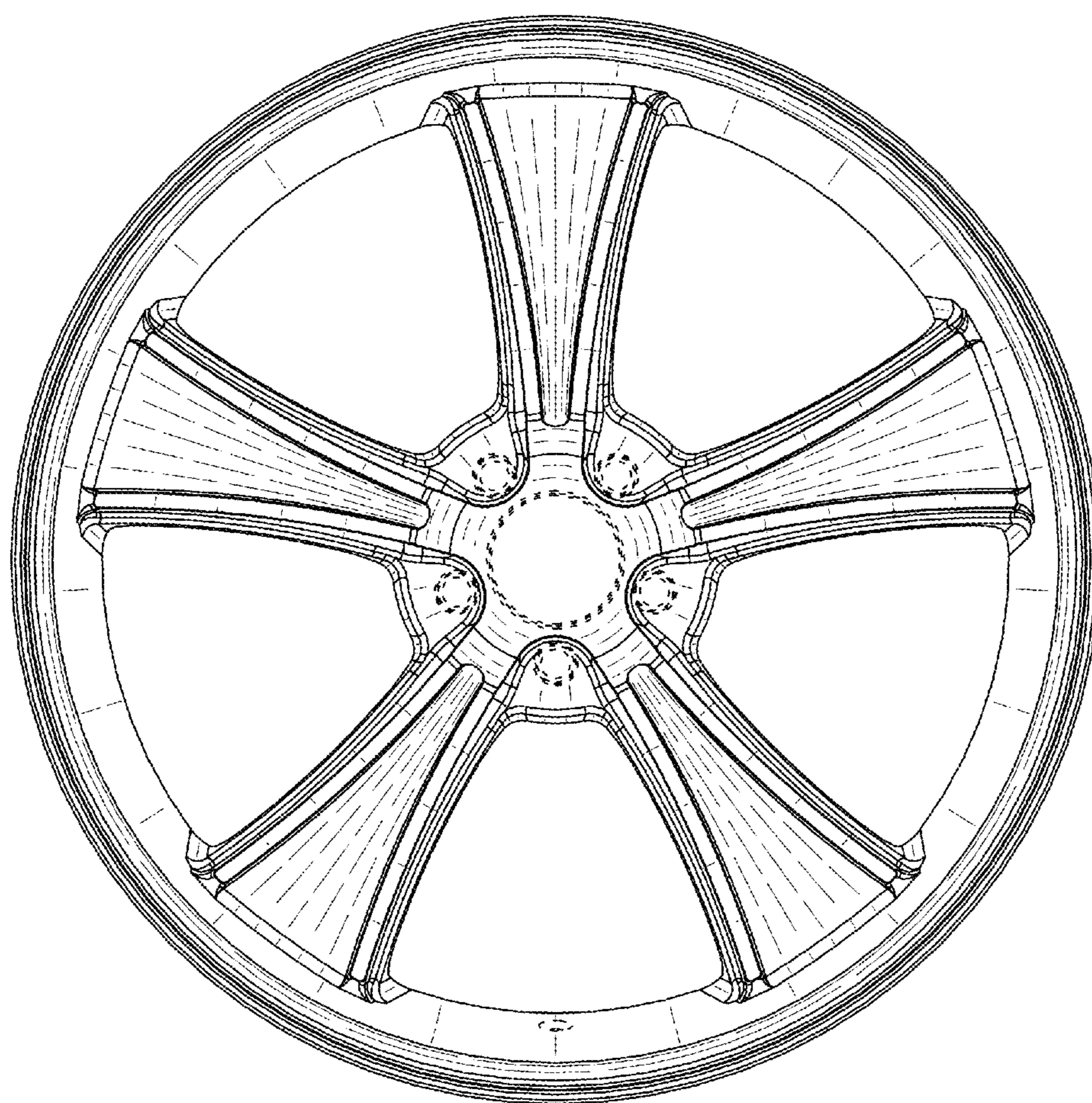


FIG. 2

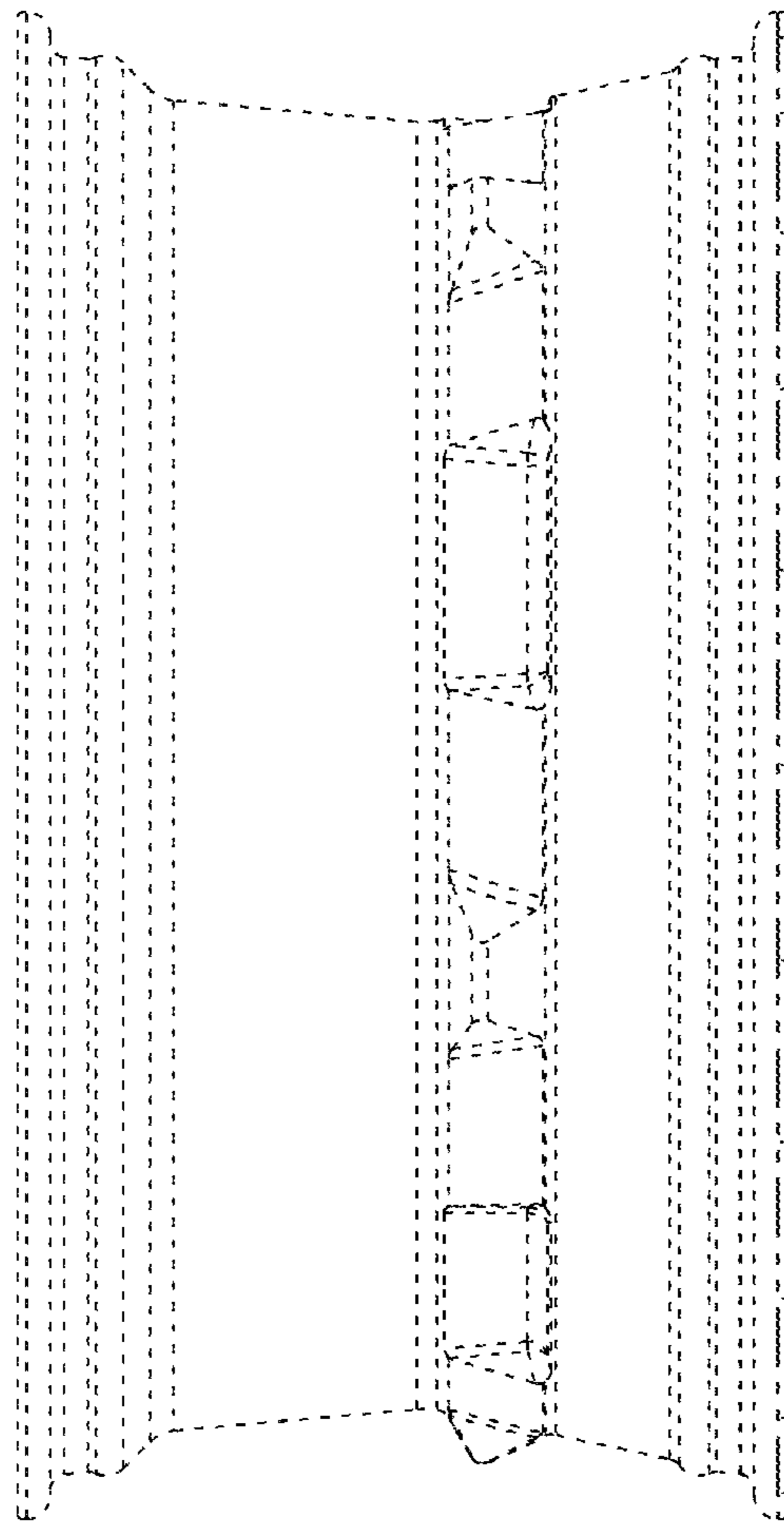


FIG. 3

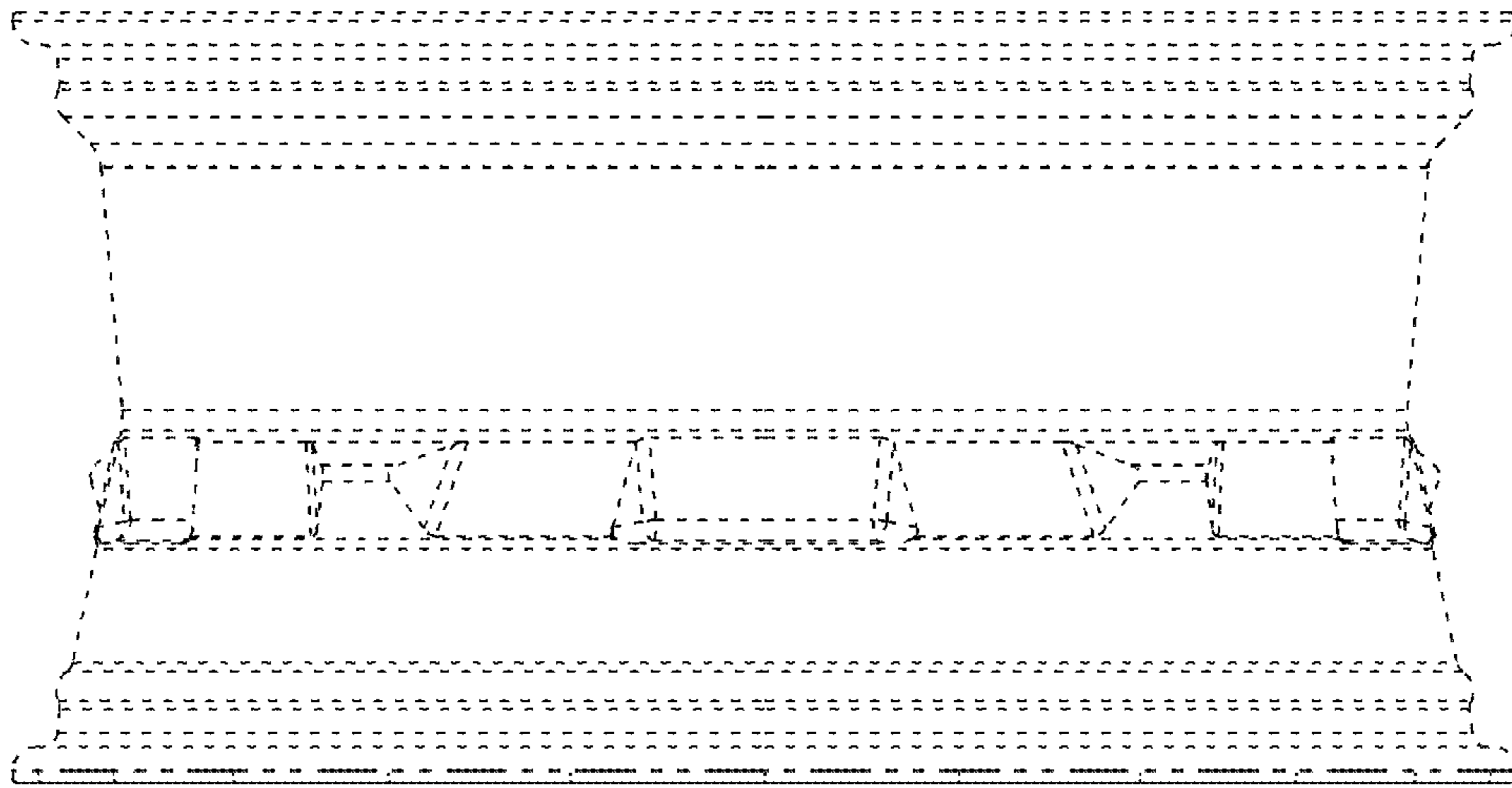


FIG. 4

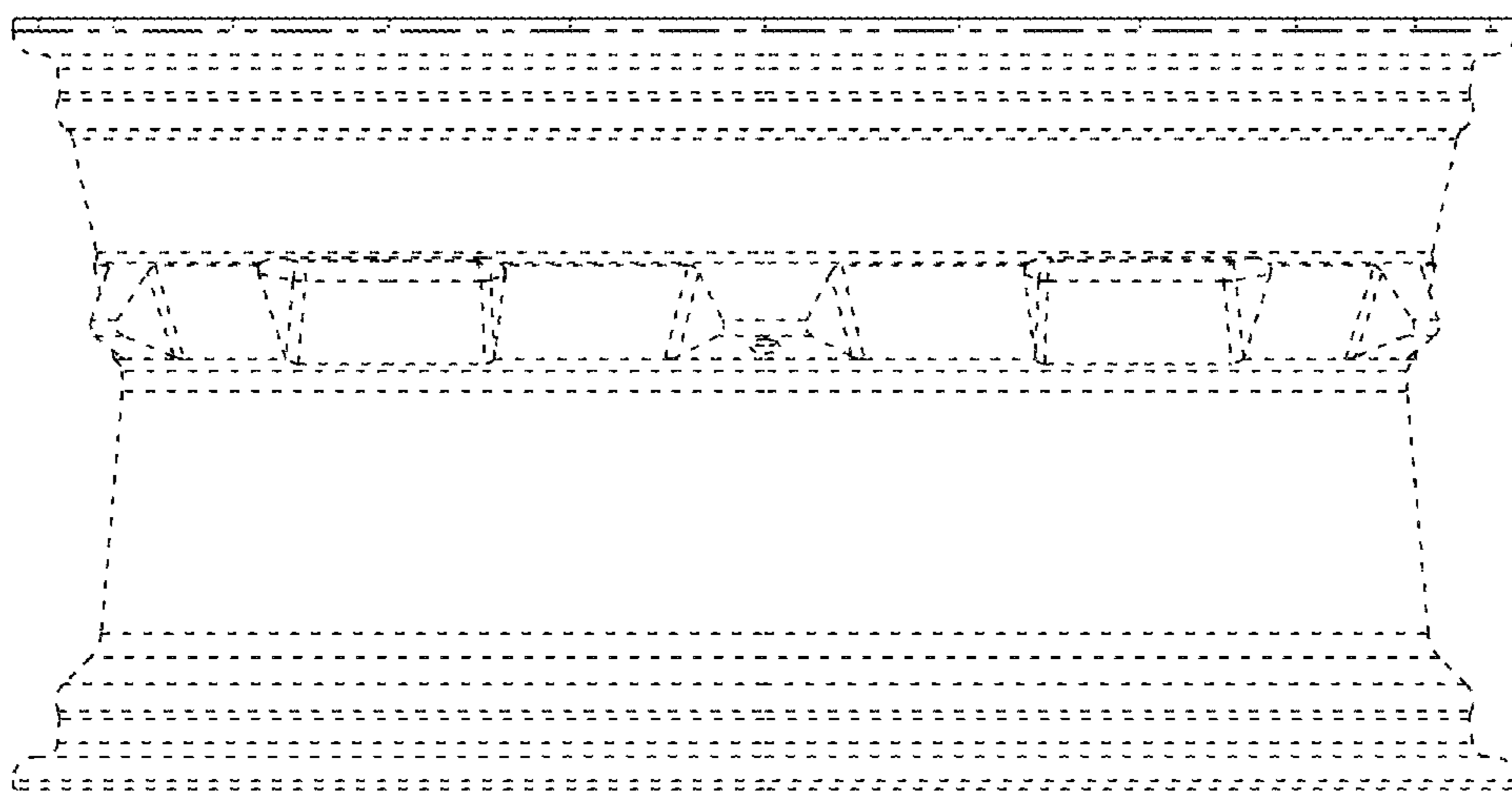


FIG. 5

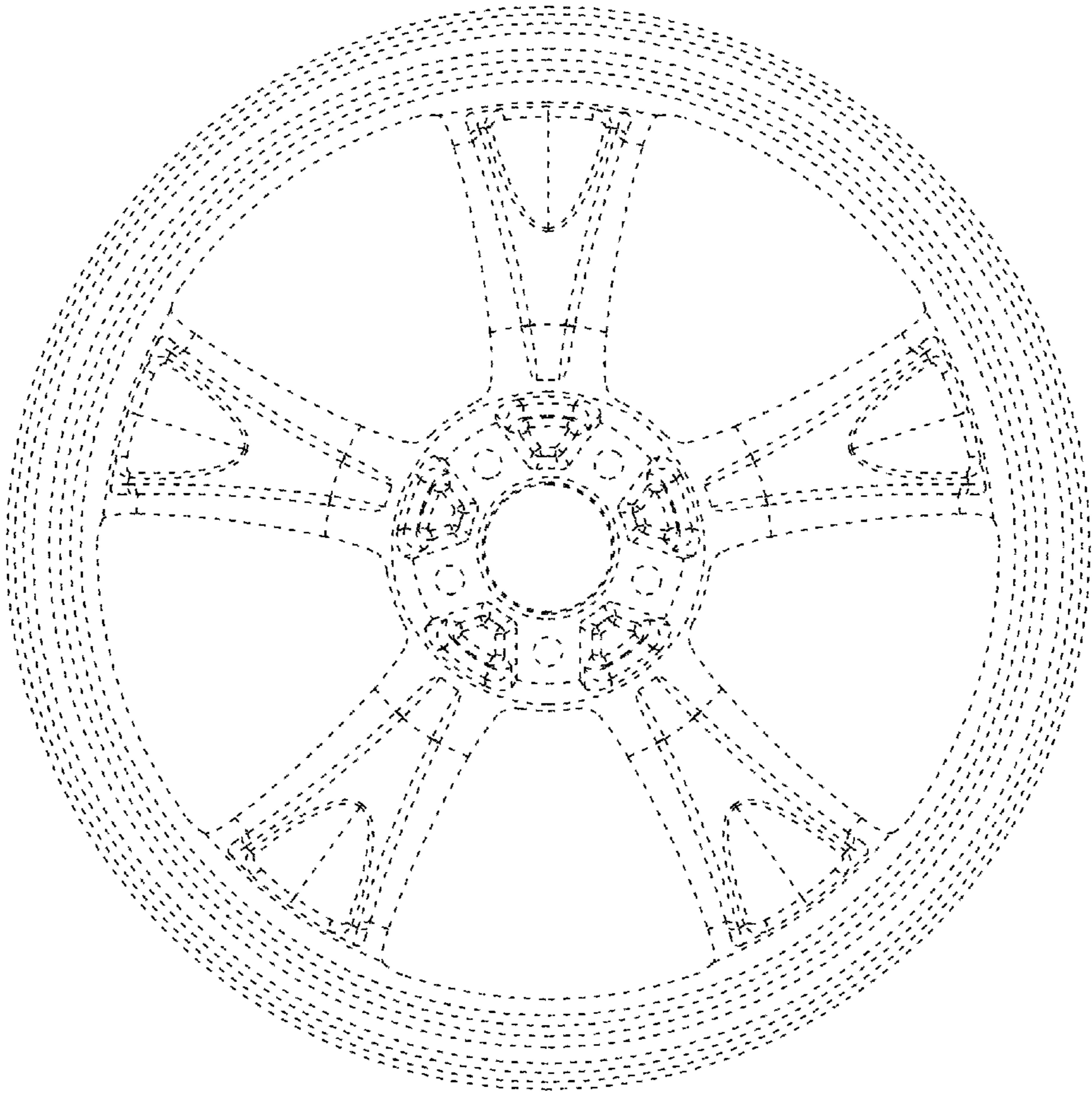


FIG. 6

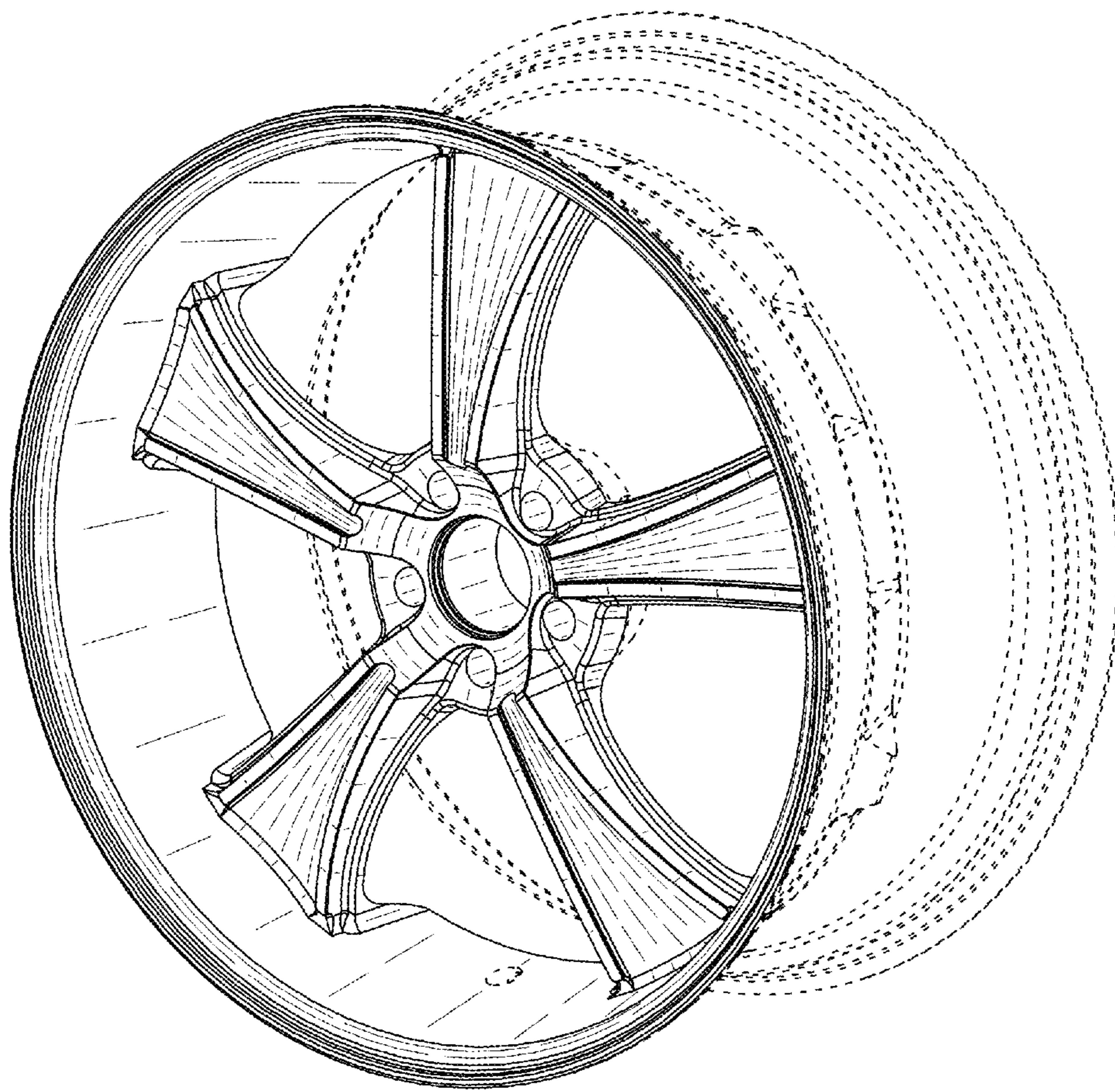


FIG. 7

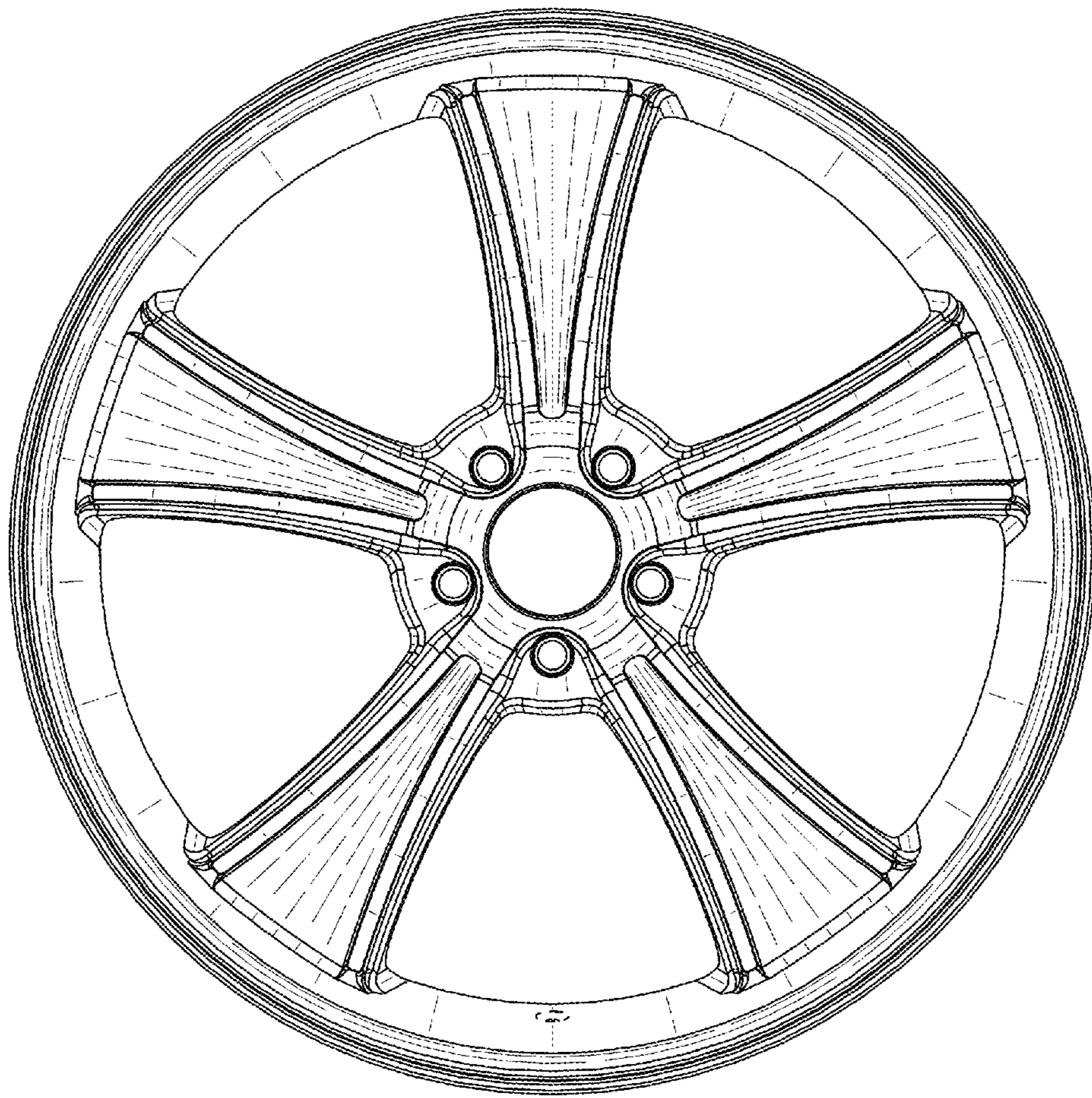


FIG. 8

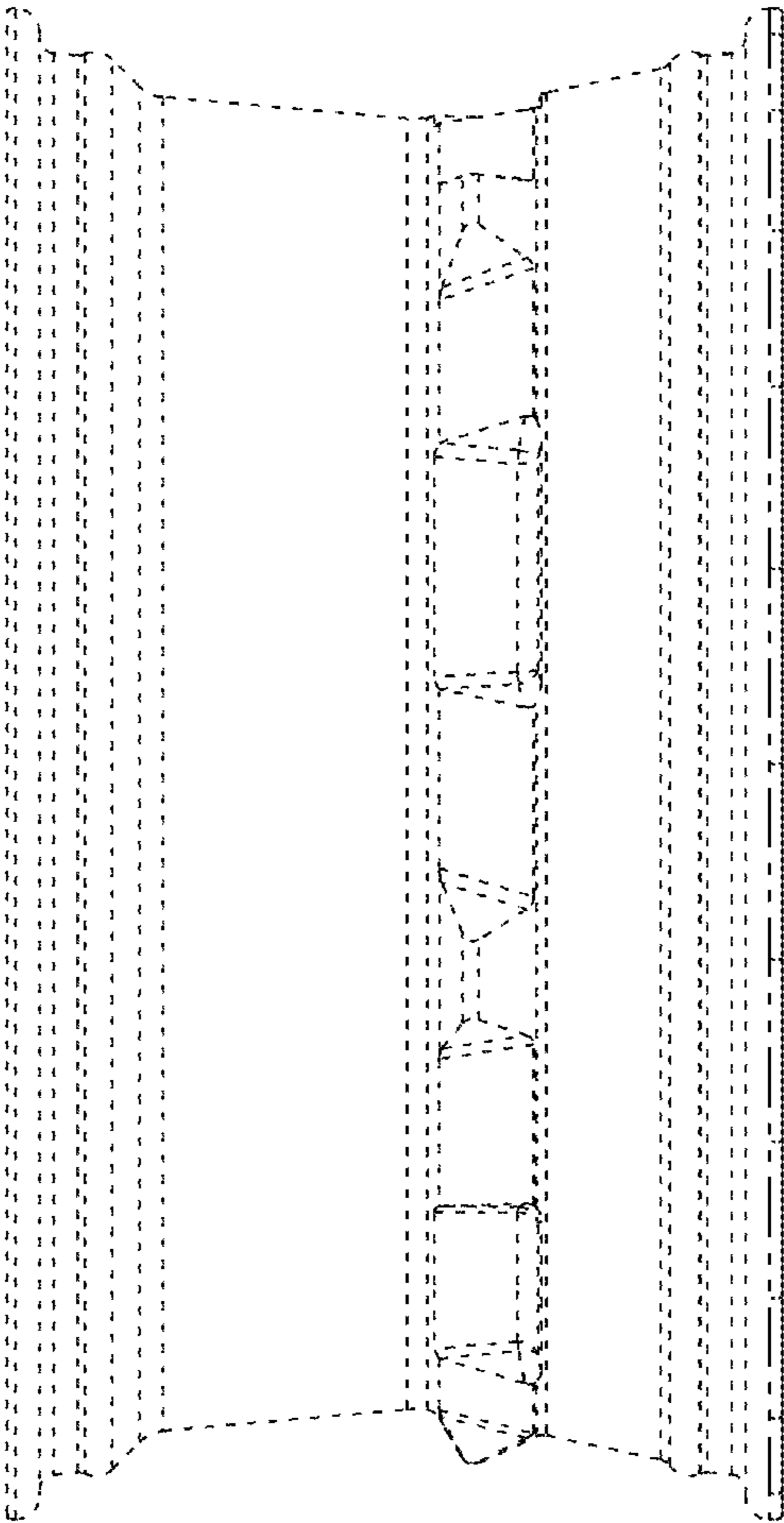


FIG. 9

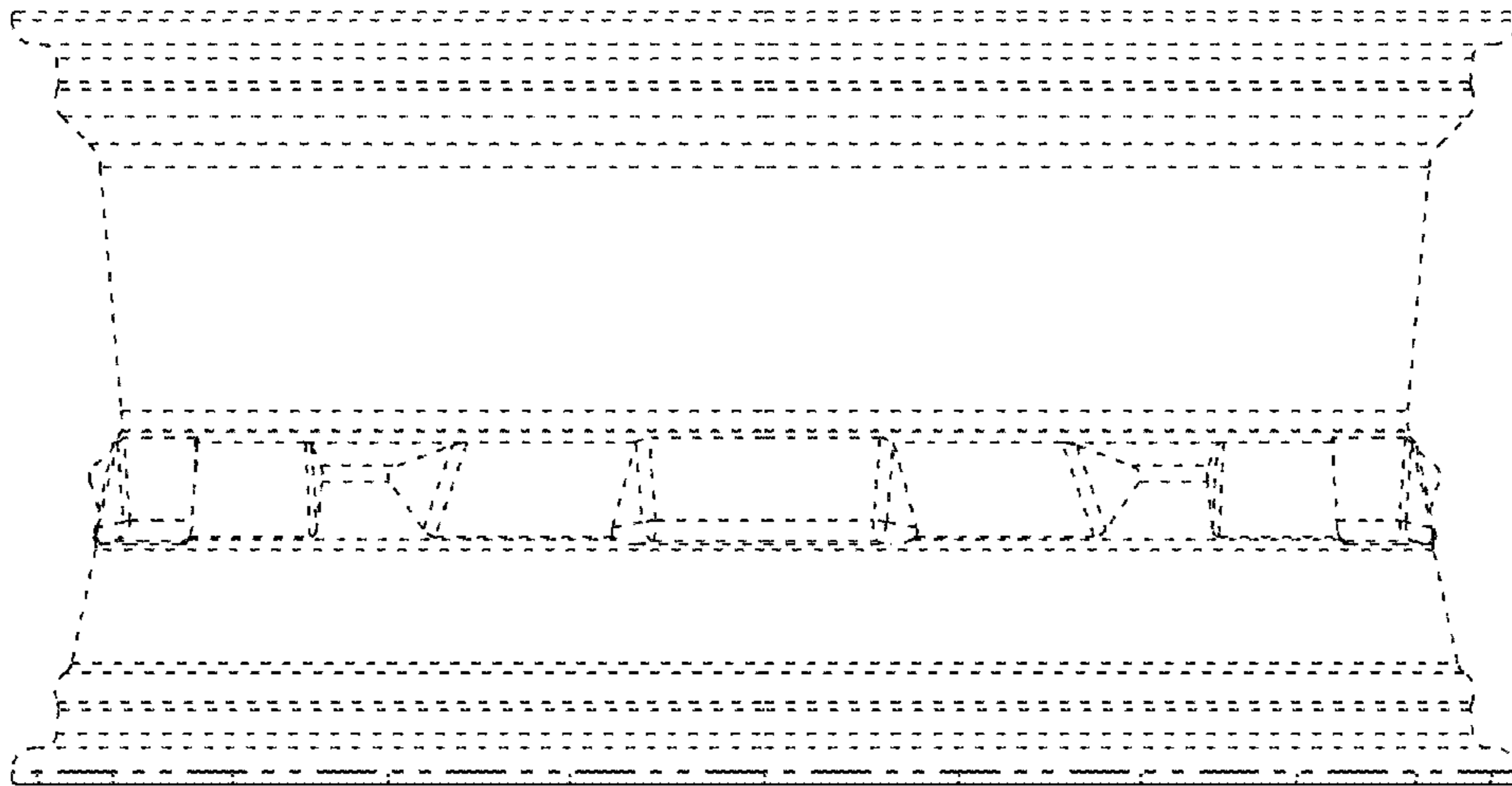


FIG. 10

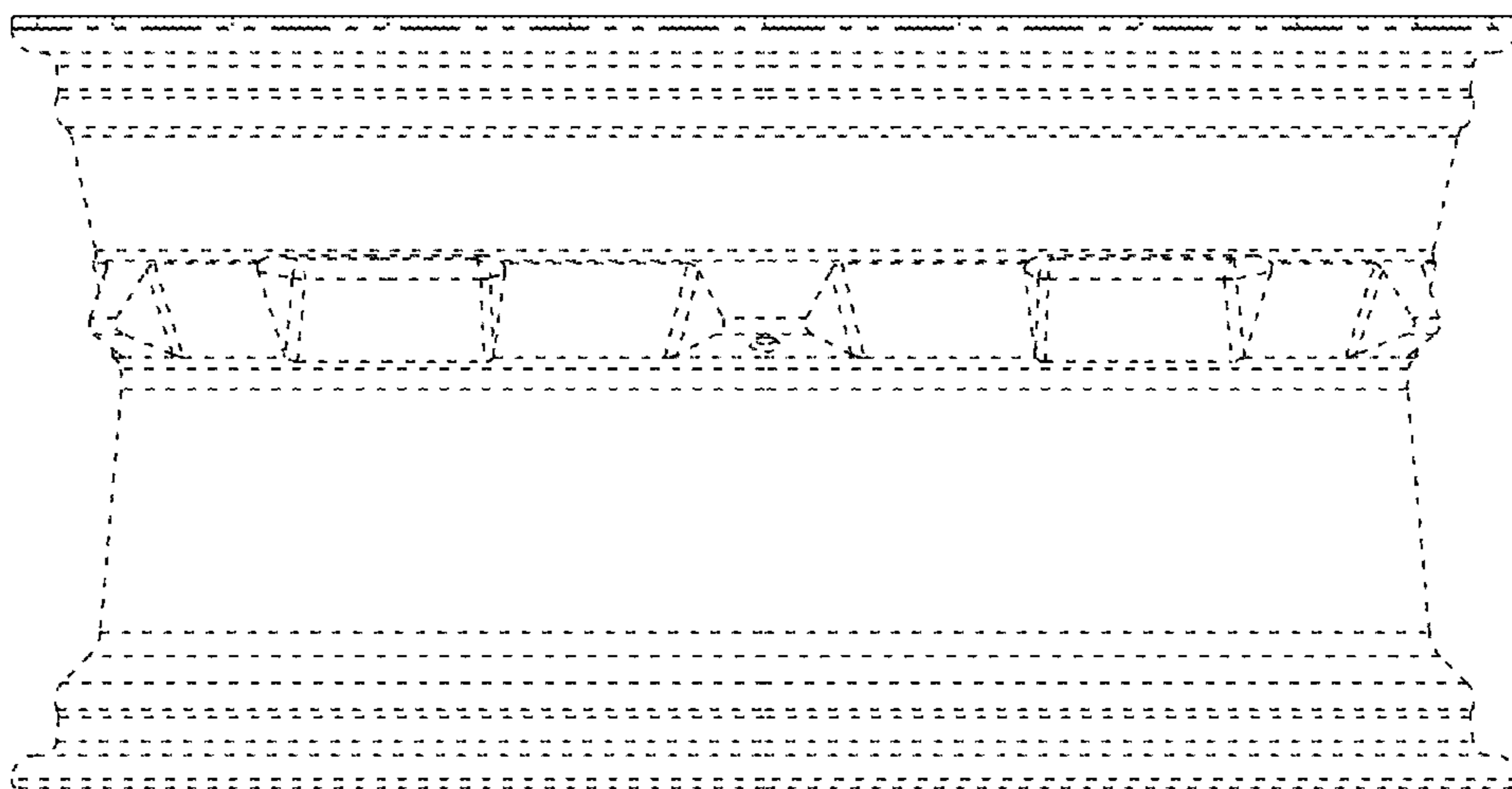


FIG. 11

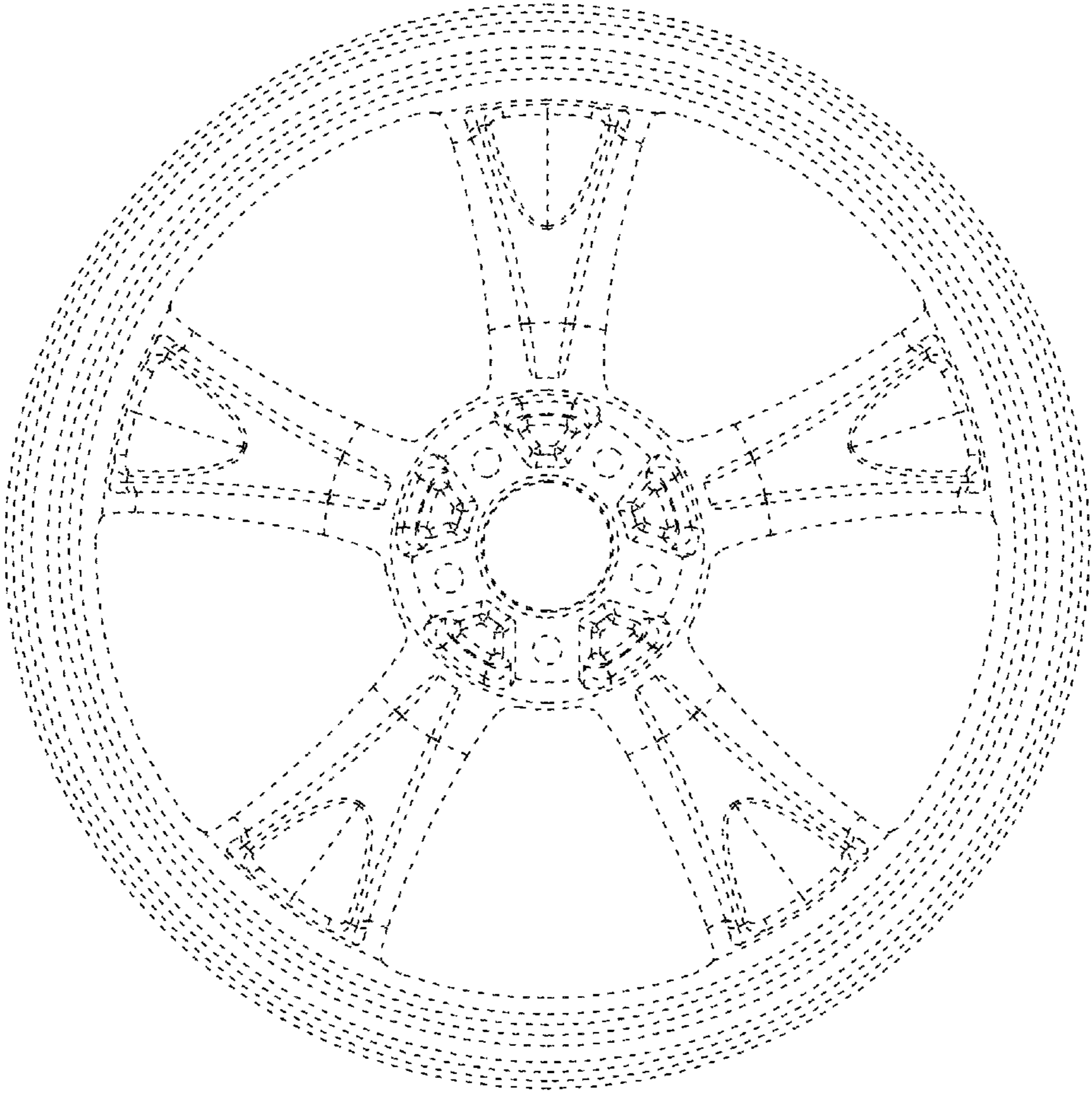


FIG. 12