

US00D669010S

(12) **United States Design Patent**
Nakano

(10) **Patent No.:** **US D669,010 S**
(45) **Date of Patent:** **** Oct. 16, 2012**

(54) **WHEEL**

(75) Inventor: **Tadashi Nakano**, Fujimino (JP)

(73) Assignee: **Honda Access Corp.**, Niiza-shi, Saitama (JP)

(**) Term: **14 Years**

(21) Appl. No.: **29/424,961**

(22) Filed: **Jun. 18, 2012**

(30) **Foreign Application Priority Data**

Mar. 28, 2012 (JP) 2012-007103

(51) **LOC (9) Cl.** **12-16**

(52) **U.S. Cl.** **D12/211**

(58) **Field of Classification Search** D12/204-213;
301/37.101, 64.101, 65, 64.201

See application file for complete search history.

(56) **References Cited**

U.S. PATENT DOCUMENTS

D415,094 S *	10/1999	Neeper	D12/211
D421,953 S *	3/2000	Sims et al.	D12/211
D524,218 S *	7/2006	Madden	D12/211
D527,333 S *	8/2006	Blasi	D12/211
D585,010 S *	1/2009	Pollmann	D12/211

D586,285 S *	2/2009	Fridie	D12/211
D593,922 S *	6/2009	Blasi	D12/211
D596,552 S *	7/2009	Beermann	D12/211
D613,230 S *	4/2010	Antoniadis et al.	D12/211
D617,715 S *	6/2010	Gallert	D12/211
D617,717 S *	6/2010	Nordmann	D12/211
D619,952 S *	7/2010	Juergens et al.	D12/211
D625,856 S *	10/2010	Franklin	D12/209
D632,240 S *	2/2011	Szews	D12/211
D639,226 S *	6/2011	Juergens et al.	D12/211
D649,502 S *	11/2011	Platto et al.	D12/209

* cited by examiner

Primary Examiner — Stacia Cadmus

(74) *Attorney, Agent, or Firm* — Westerman, Hattori, Daniels & Adrian, LLP

(57) **CLAIM**

The ornamental design for a wheel, as shown and described.

DESCRIPTION

FIG. 1 is a front perspective view of a wheel showing my new design;

FIG. 2 is a rear perspective view thereof;

FIG. 3 is a front elevational view thereof;

FIG. 4 is a rear elevational view thereof;

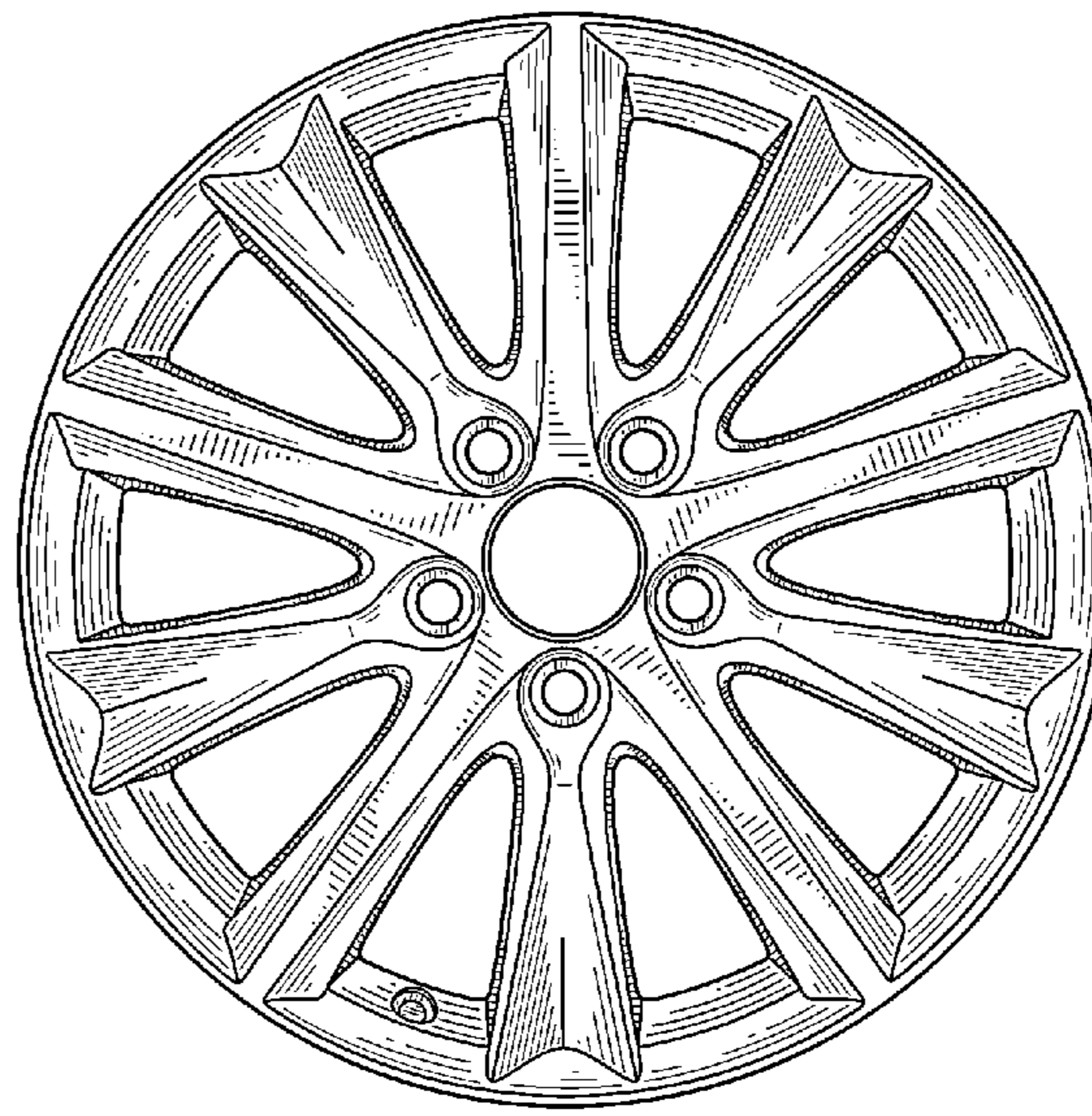
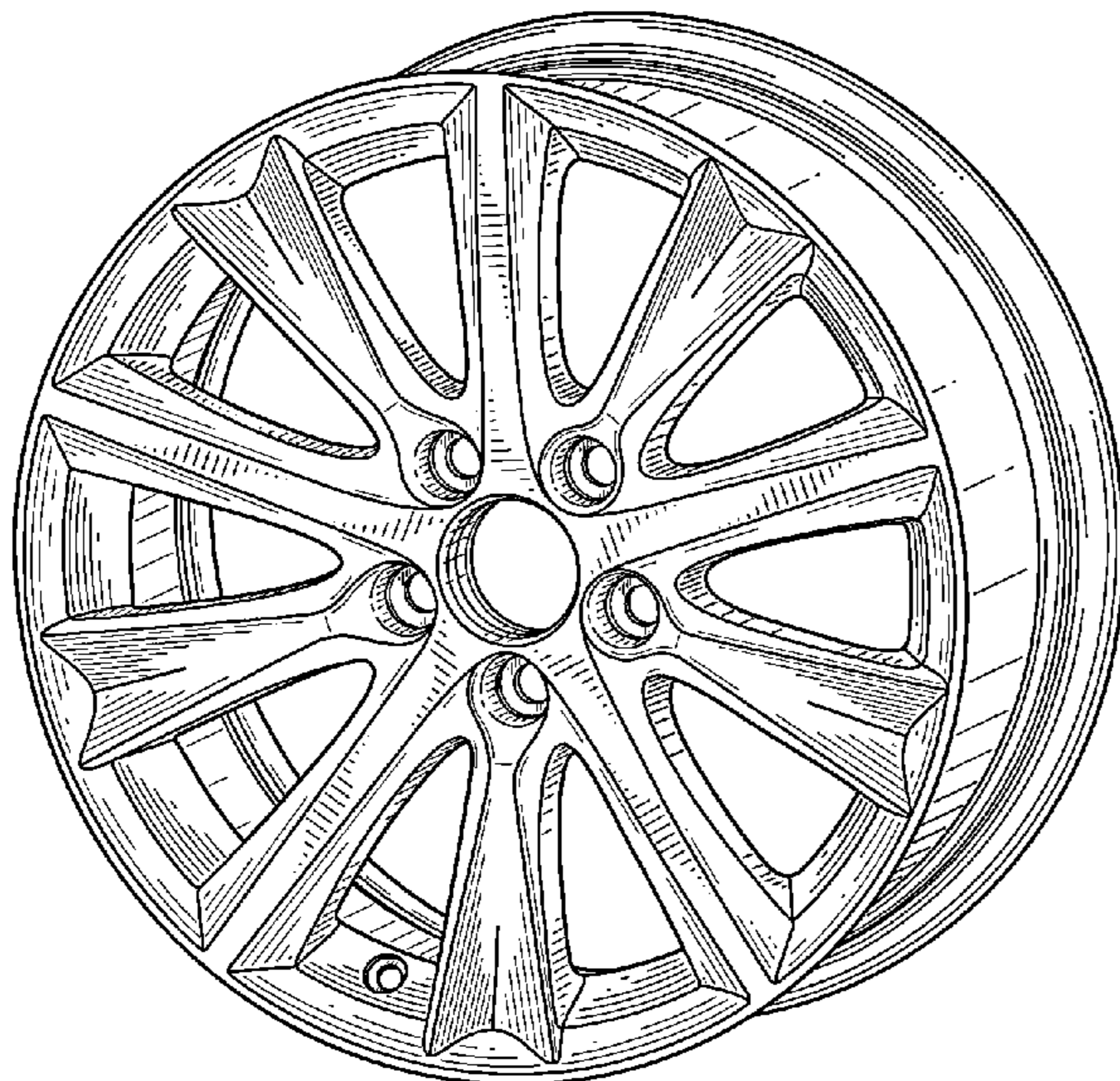
FIG. 5 is a top plan view thereof;

FIG. 6 is a bottom plan view thereof;

FIG. 7 is a left side view thereof; and,

FIG. 8 is a right side view thereof.

1 Claim, 4 Drawing Sheets



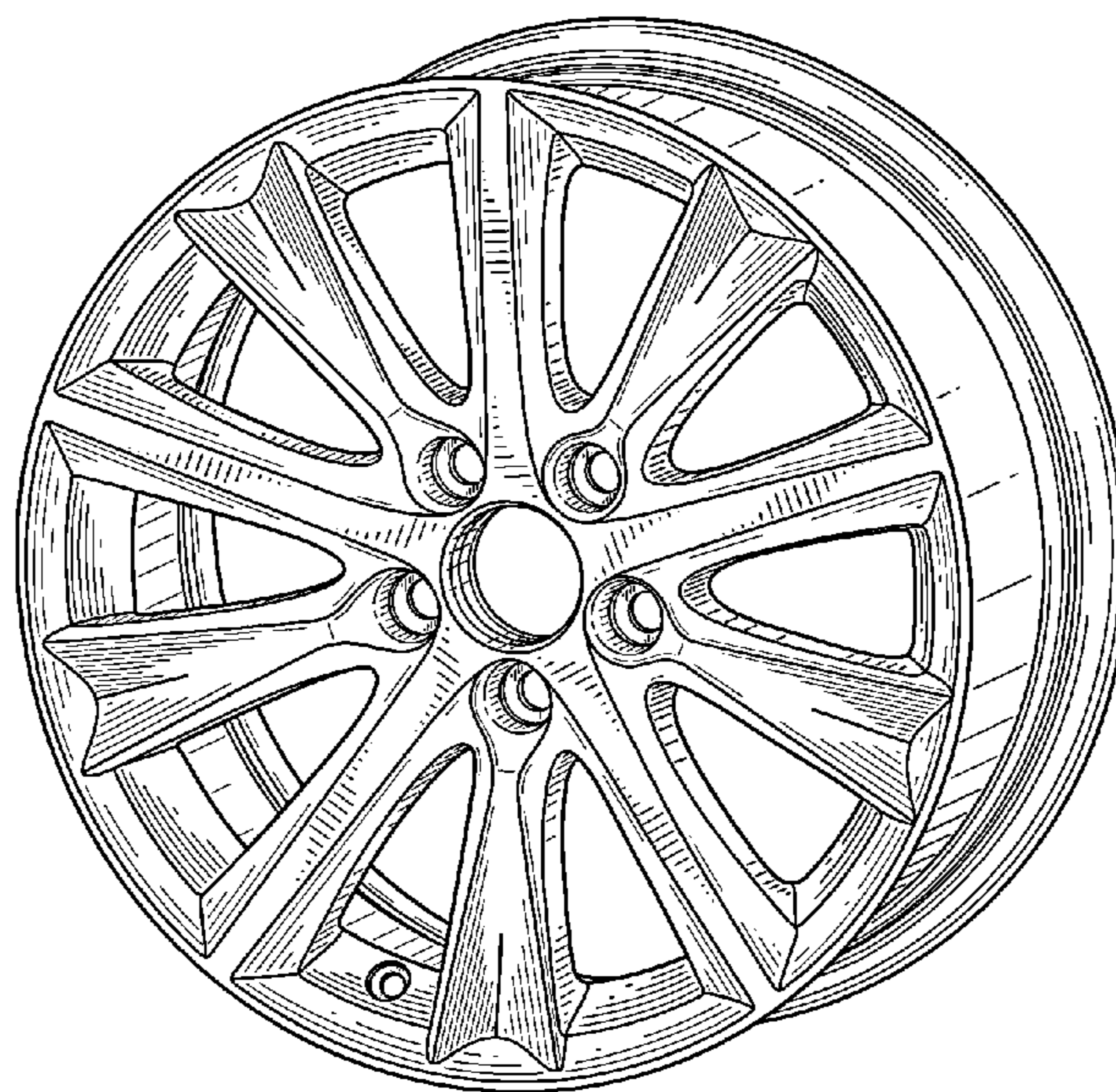


FIG. 1

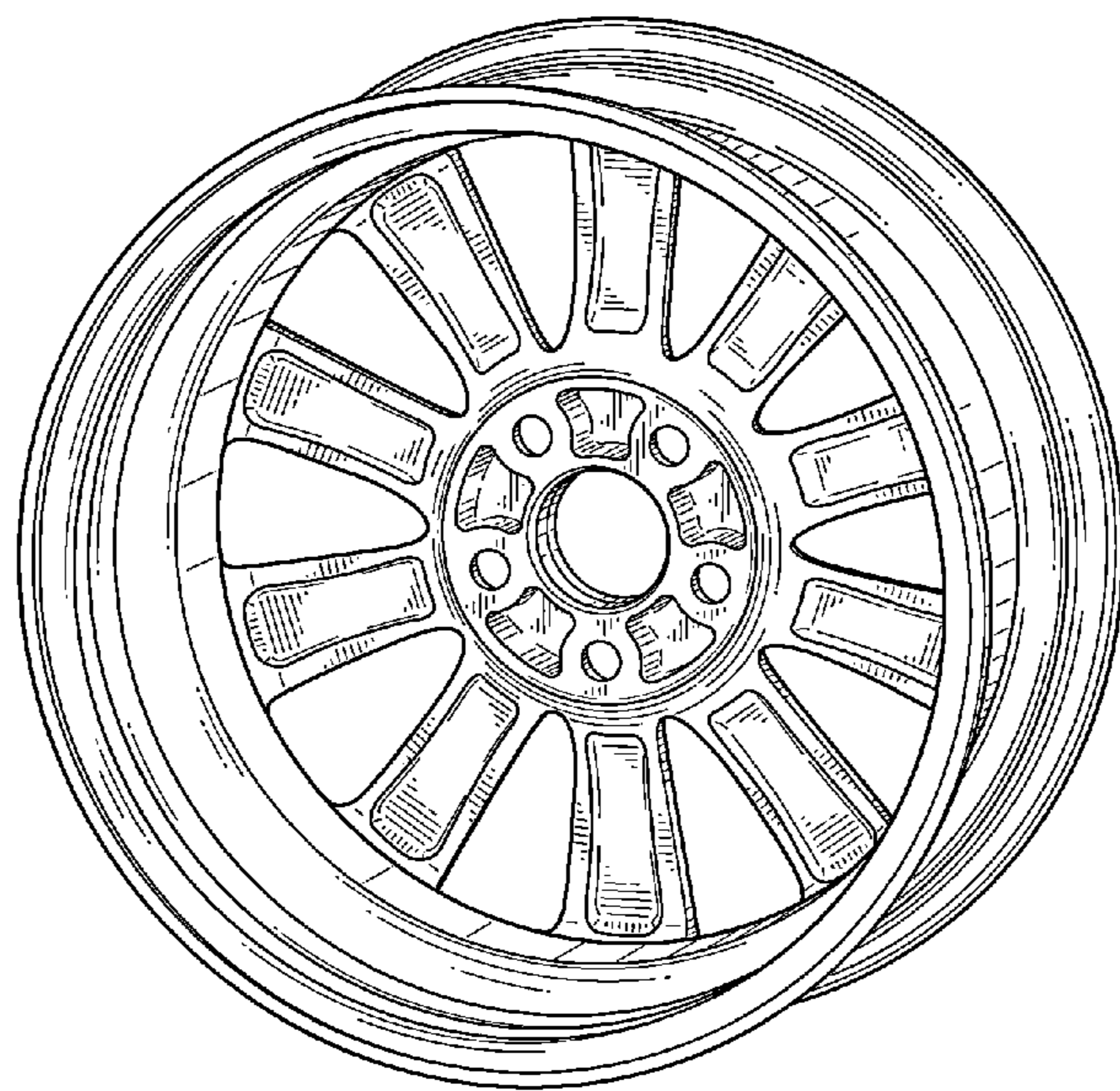


FIG. 2

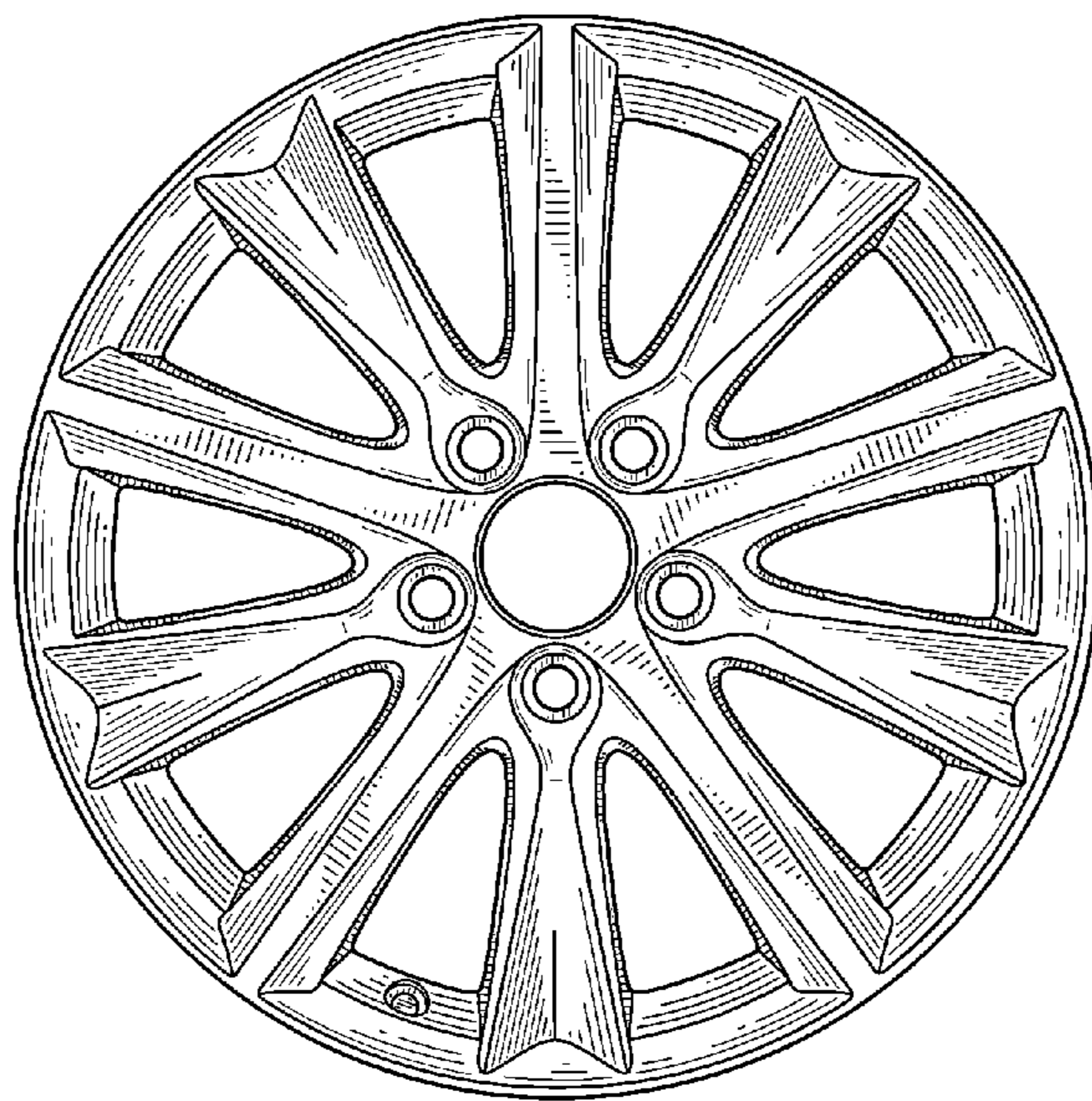


FIG.3

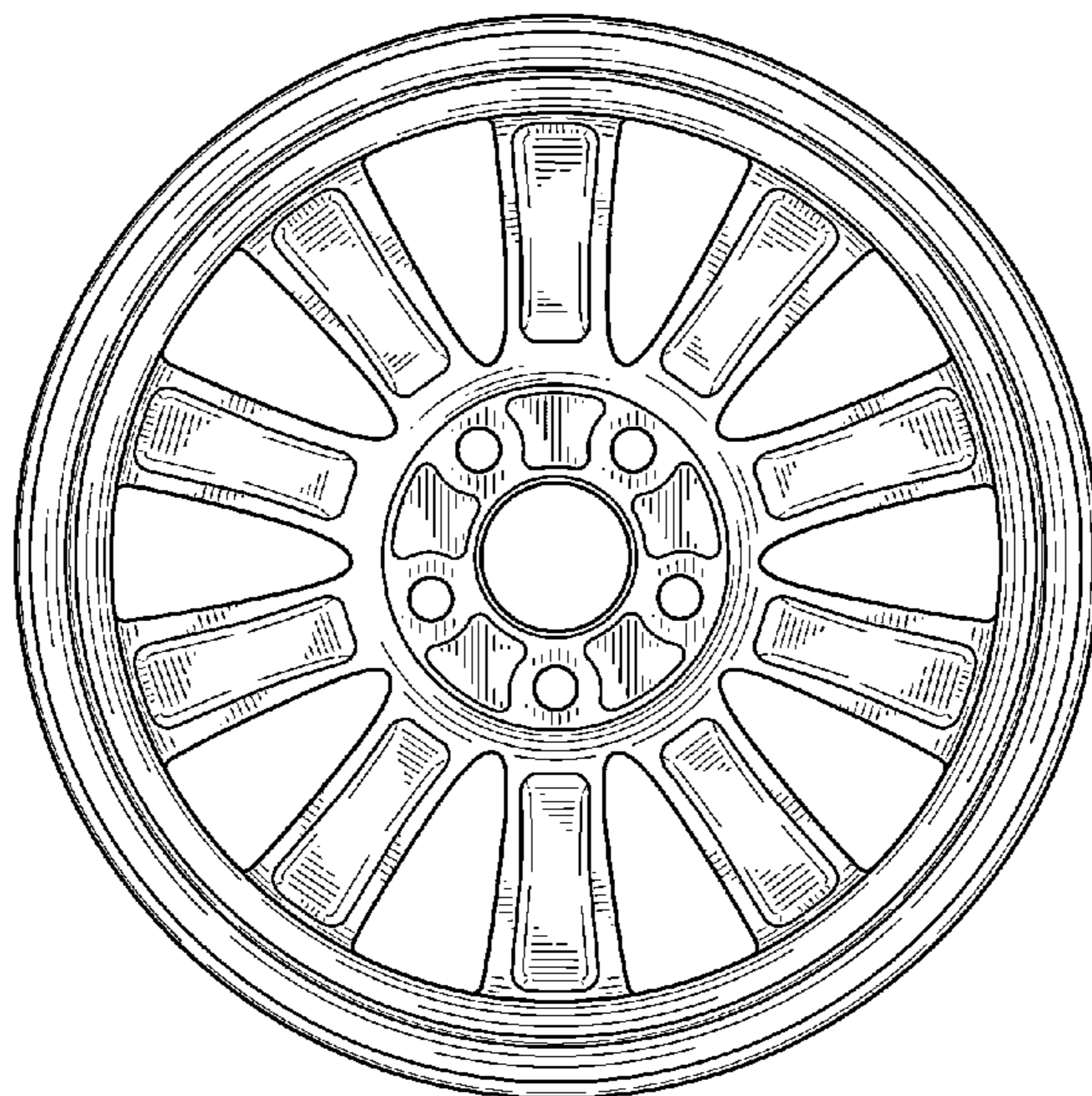


FIG.4

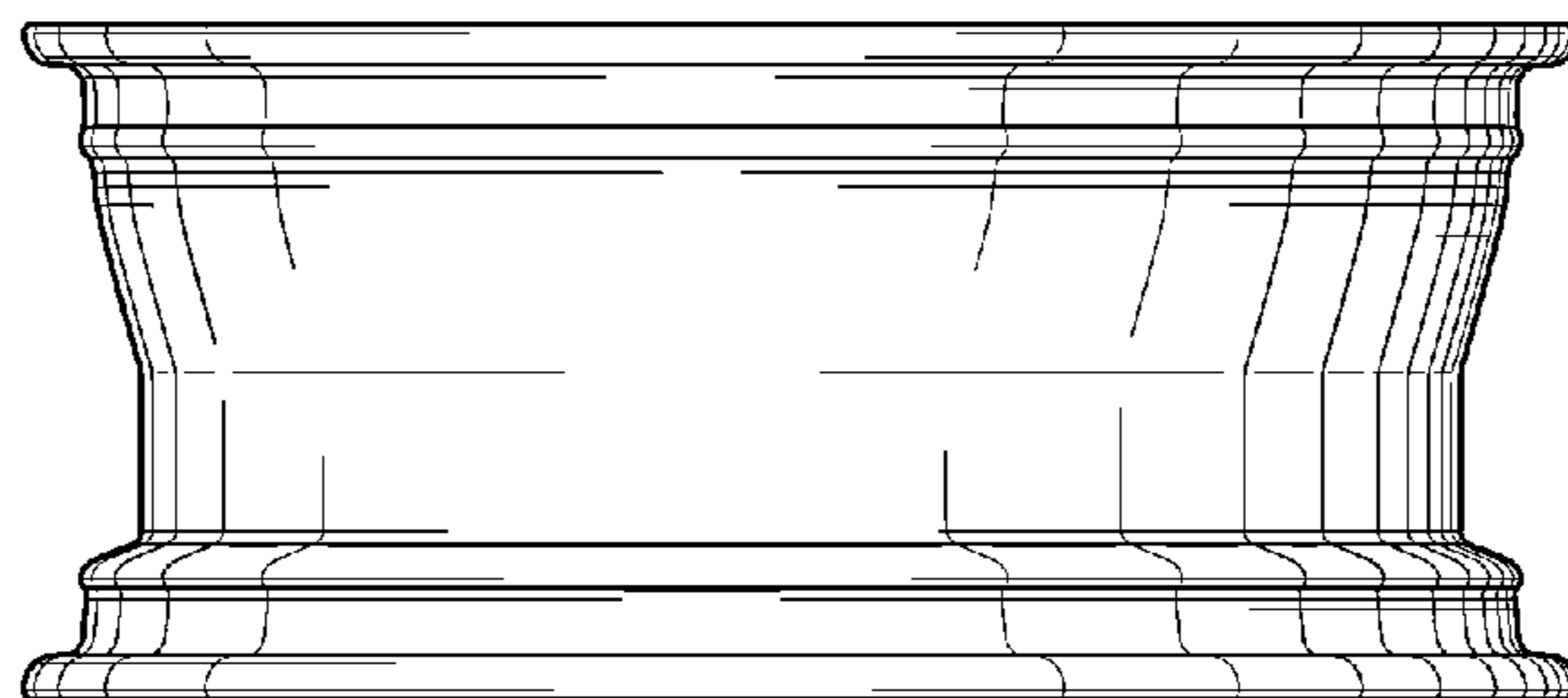


FIG. 5

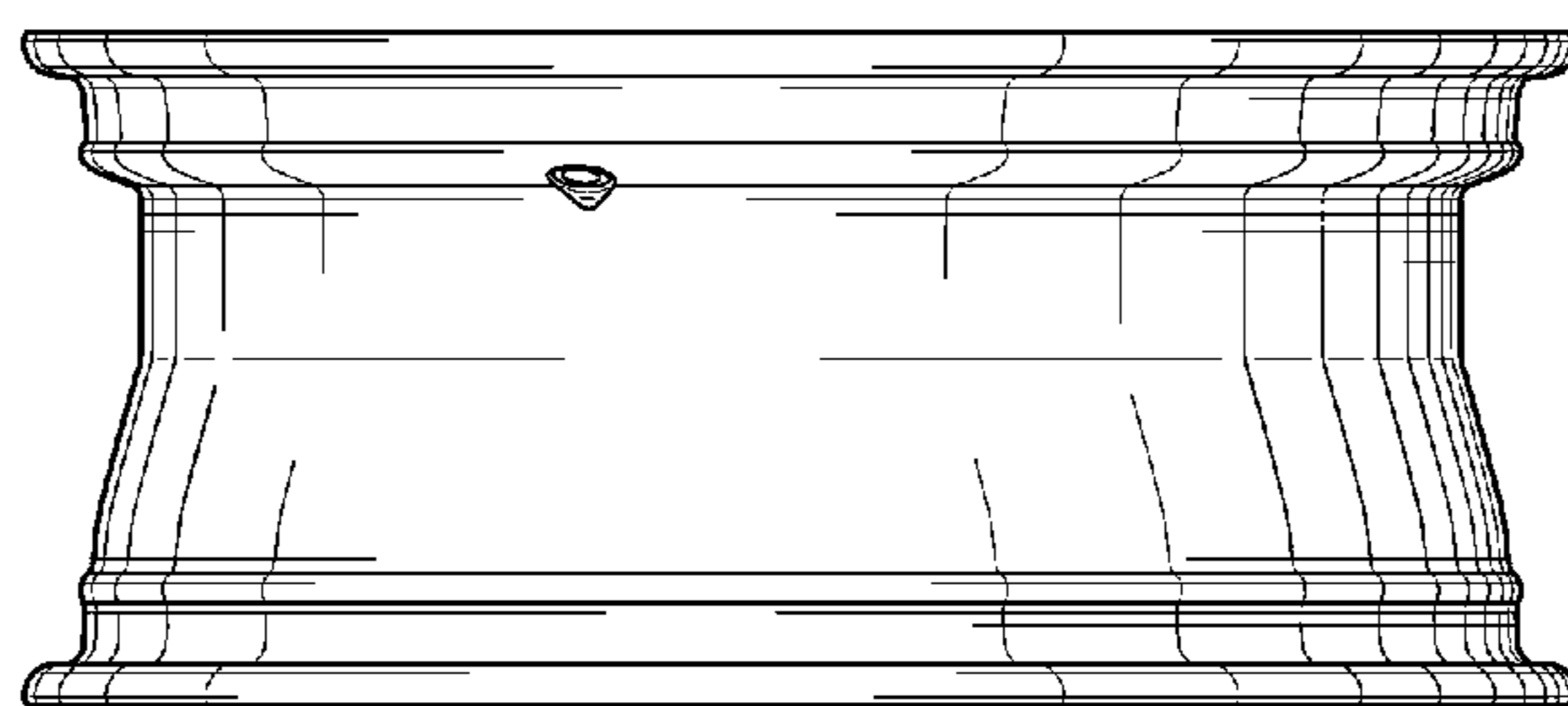


FIG. 6

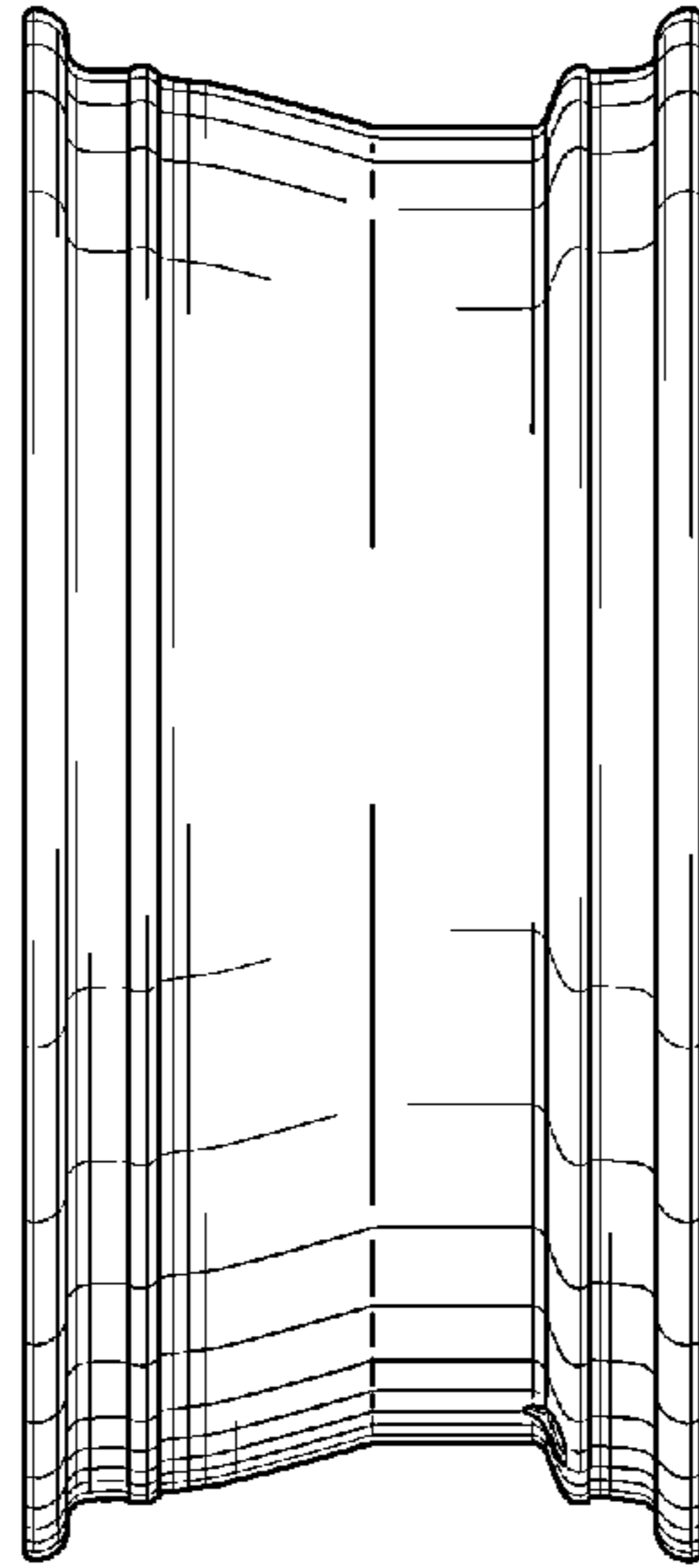


FIG. 7

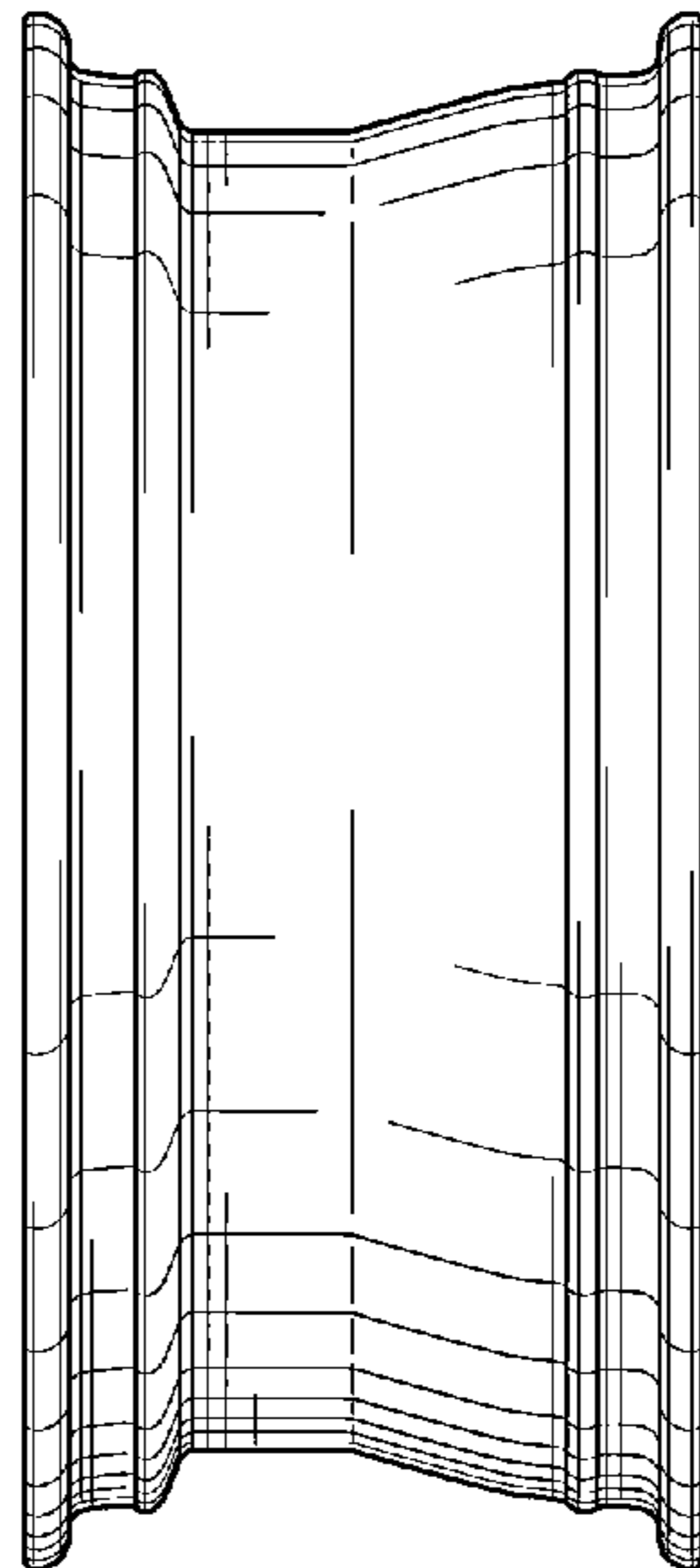


FIG. 8