



US00D669008S

(12) **United States Design Patent**
von Holzhausen et al.

(10) **Patent No.:** **US D669,008 S**

(45) **Date of Patent:** **** Oct. 16, 2012**

(54) **VEHICLE WHEEL FRONT FACE**

(75) Inventors: **Franz von Holzhausen**, Malibu, CA (US); **Bernard Lee**, Aliso Viejo, CA (US)

(73) Assignee: **Tesla Motors, Inc.**, Palo Alto, CA (US)

(**) Term: **14 Years**

(21) Appl. No.: **29/412,802**

(22) Filed: **Feb. 8, 2012**

(51) **LOC (9) Cl.** **12-16**

(52) **U.S. Cl.** **D12/211**

(58) **Field of Classification Search** D12/204-213;
301/37.101, 64.101, 65, 64.201

See application file for complete search history.

(56) **References Cited**

U.S. PATENT DOCUMENTS

D542,211 S	*	5/2007	Hieke	D12/211
D586,284 S	*	2/2009	Fridie	D12/211
D603,779 S	*	11/2009	Futschik et al.	D12/211
D606,477 S	*	12/2009	Gelardi et al.	D12/211
D614,108 S	*	4/2010	Varga	D12/211
D615,018 S	*	5/2010	Truebsbach	D12/211

D628,137 S	*	11/2010	Groom	D12/211
D629,346 S	*	12/2010	Szews	D12/211
D633,847 S	*	3/2011	Johnson	D12/211
D646,212 S	*	10/2011	Ettensberger	D12/211
D649,923 S	*	12/2011	Hans et al.	D12/211
D652,363 S	*	1/2012	Chung	D12/211
D656,879 S	*	4/2012	Gallert	D12/211
D663,670 S	*	7/2012	Juergens et al.	D12/211

* cited by examiner

Primary Examiner — Stacia Cadmus

(74) *Attorney, Agent, or Firm* — Patent Law Office of David G. Beck

(57) **CLAIM**

The ornamental design for a vehicle wheel front face, as shown and described.

DESCRIPTION

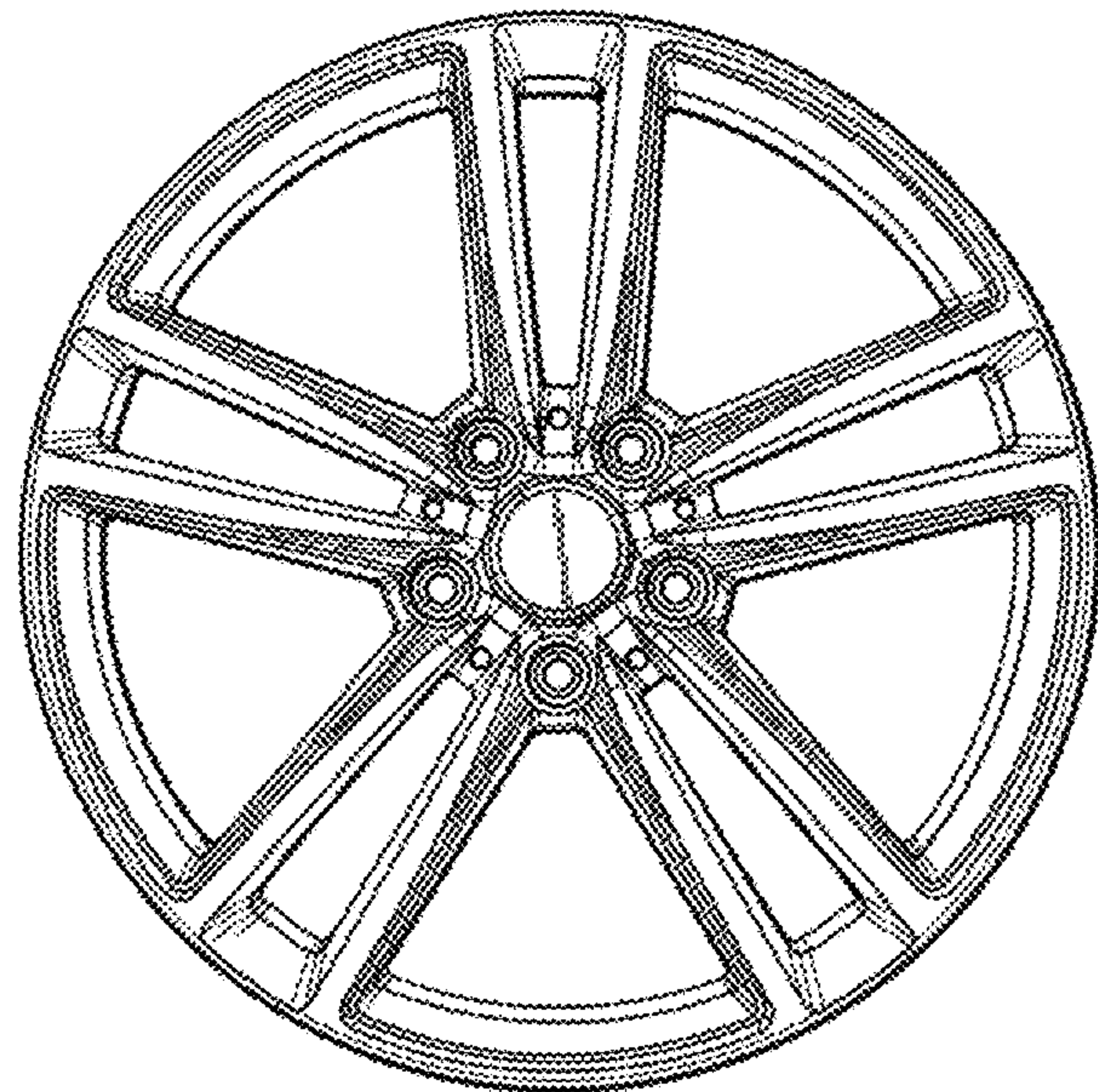
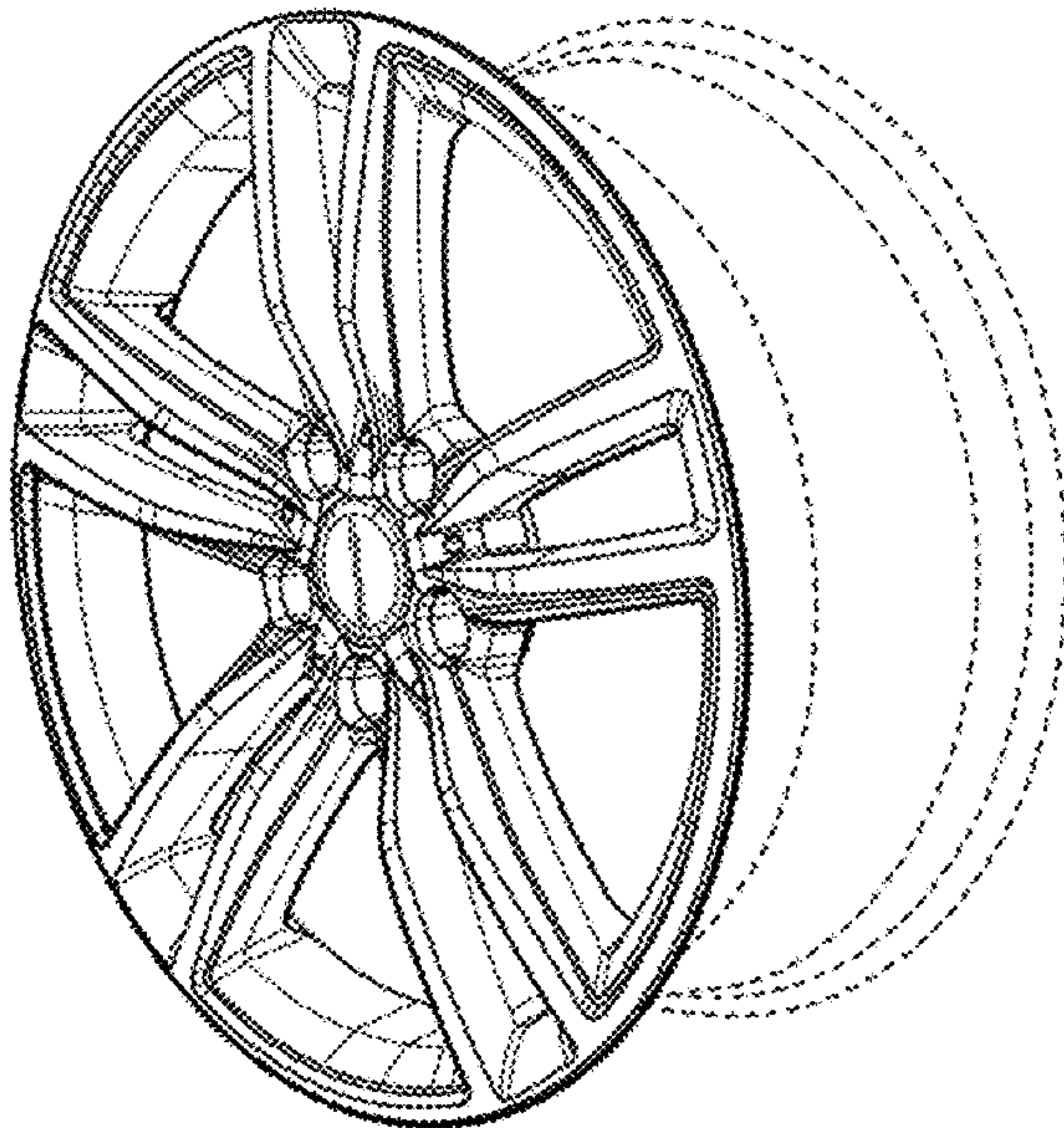
FIG. 1 is a perspective view of a front face of a wheel for a motor vehicle;

FIG. 2 is a front elevational view thereof; and,

FIG. 3 is a side elevational view thereof.

The broken lines are for illustrative purposes and form no part of the claimed design.

1 Claim, 3 Drawing Sheets



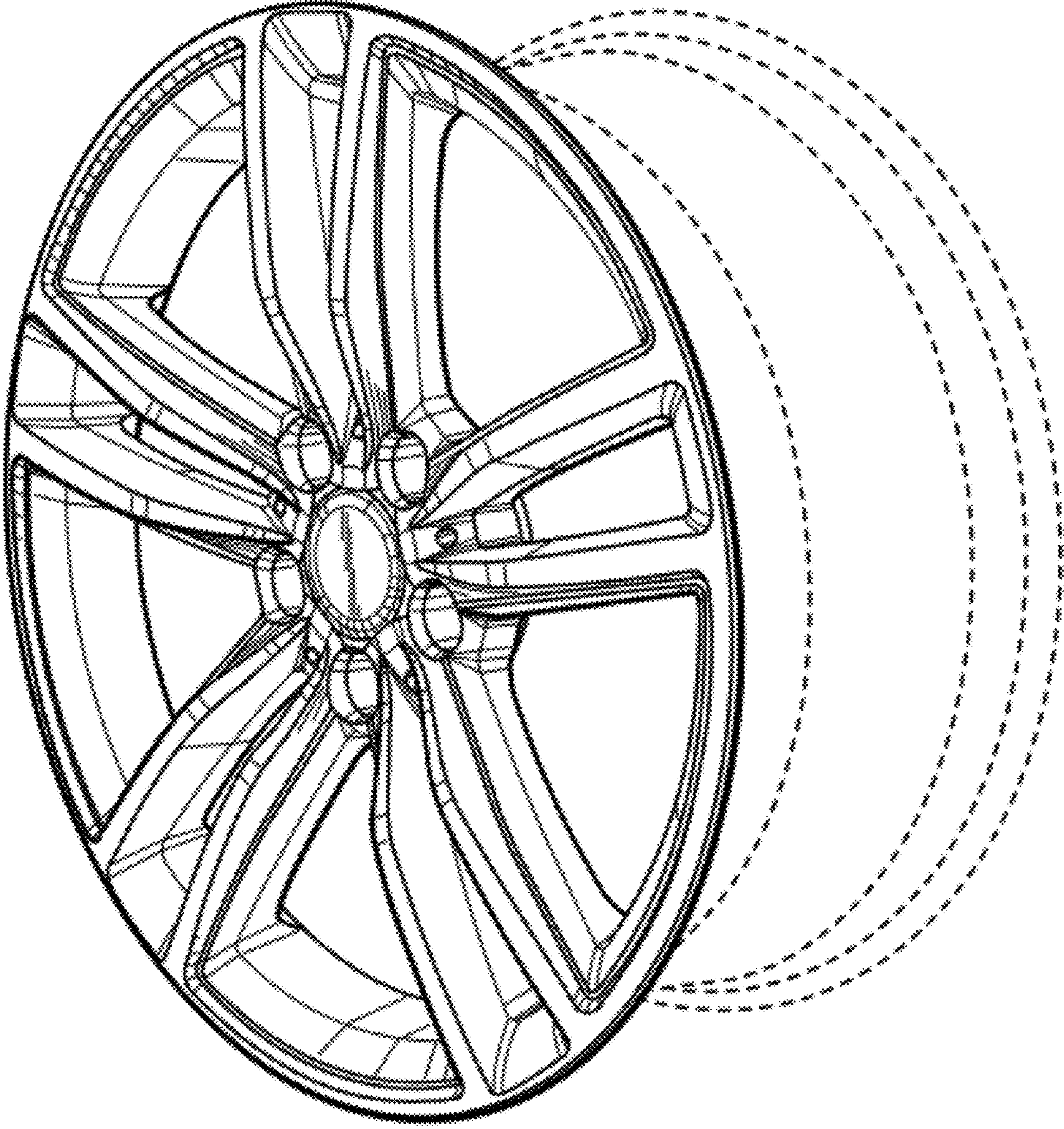


FIG. 1

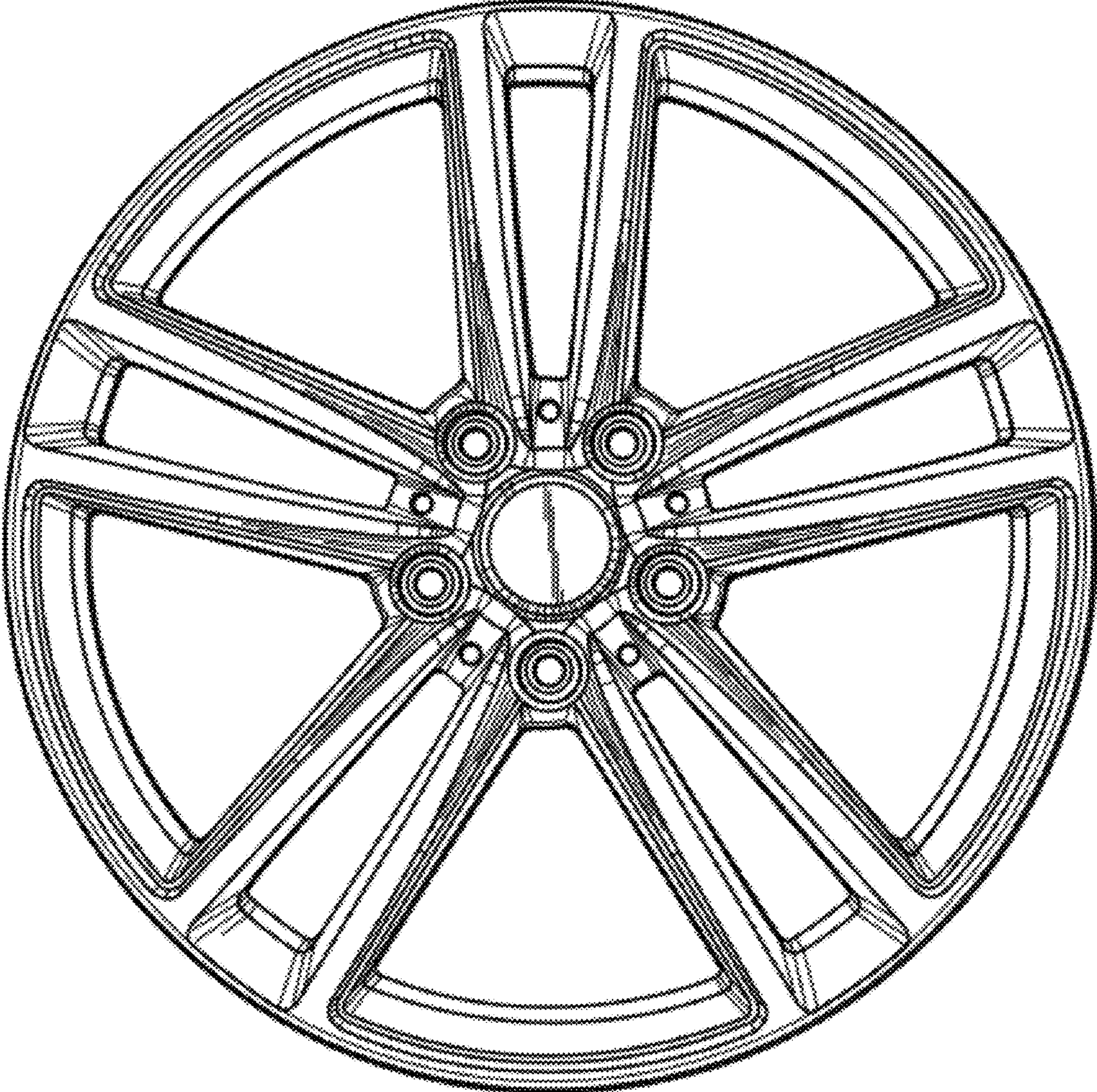


FIG. 2

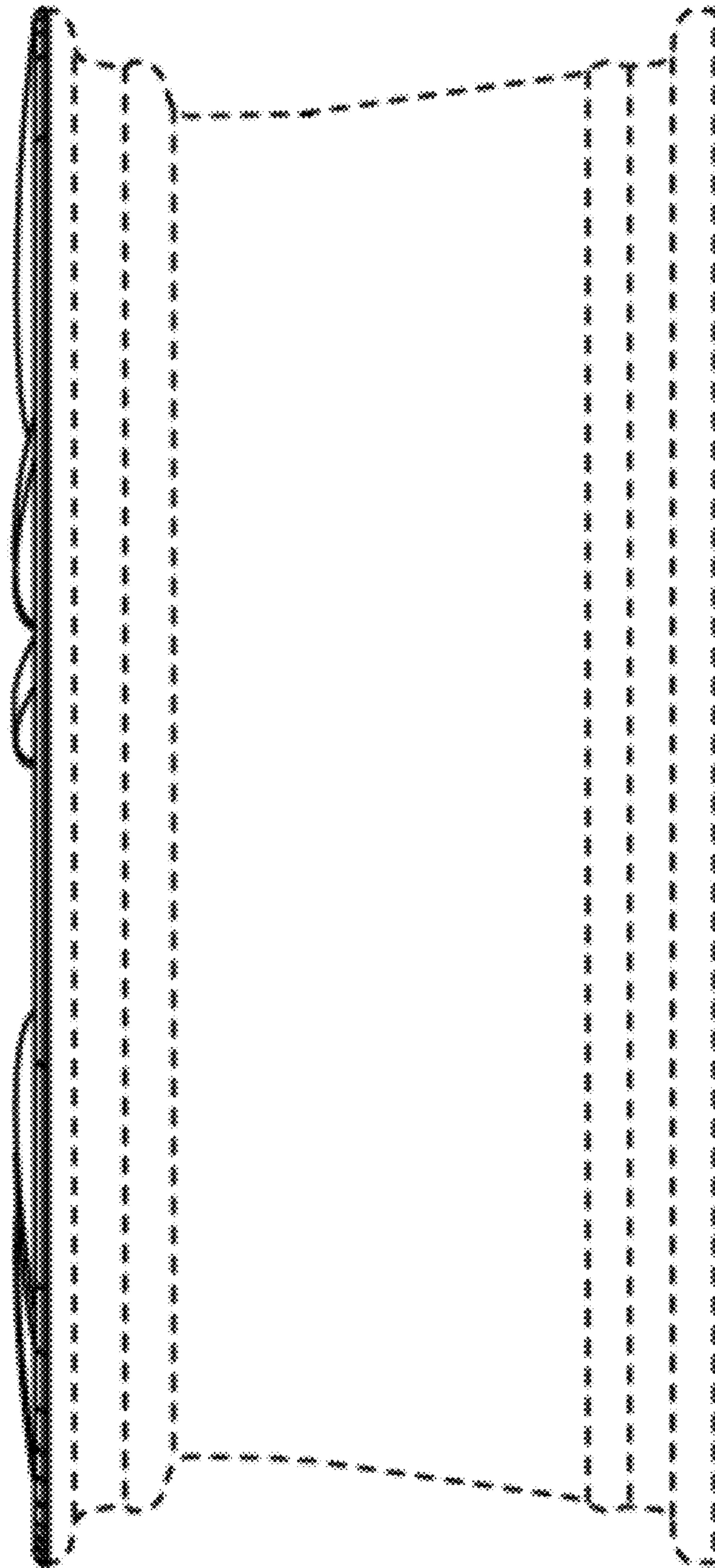


FIG. 3