



US00D668997S

(12) **United States Design Patent**
Douglas

(10) **Patent No.:** **US D668,997 S**
(45) **Date of Patent:** **** Oct. 16, 2012**

(54) **GOLF BALL BELT BUCKLE**

(76) Inventor: **David J. Douglas**, Providenciales (TC)

(**) Term: **14 Years**

(21) Appl. No.: **29/414,068**

(22) Filed: **Feb. 24, 2012**

(51) **LOC (9) Cl.** **02-07**

(52) **U.S. Cl.** **D11/231**

(58) **Field of Classification Search** D11/200-237;
D2/625-629; 24/614-614, 625, 650, 199-200,
24/170, 30.5 R, 318; 224/163

See application file for complete search history.

(56) **References Cited**

U.S. PATENT DOCUMENTS

D159,033 S *	6/1950	Yarbrough	D11/238
D159,621 S *	8/1950	Howard	D11/238
D256,186 S *	8/1980	Danat et al.	D11/238
D340,679 S *	10/1993	Chen	D11/232
D365,046 S *	12/1995	McKinley	D11/232

D501,426 S *	2/2005	Robbins	D11/238
D501,427 S *	2/2005	Robbins	D11/238
D577,486 S *	9/2008	Kudarauskas	D3/211

* cited by examiner

Primary Examiner — T. Chase Nelson

Assistant Examiner — Mark Cavanna

(57) **CLAIM**

I claim the ornamental design for a golf ball belt buckle, as shown and described.

DESCRIPTION

FIG. 1 is a perspective view of the golf ball belt buckle of the claimed design;

FIG. 2 is a front view of the golf ball belt buckle of FIG. 1;

FIG. 3 is a back side view of the golf ball belt buckle of FIG. 1;

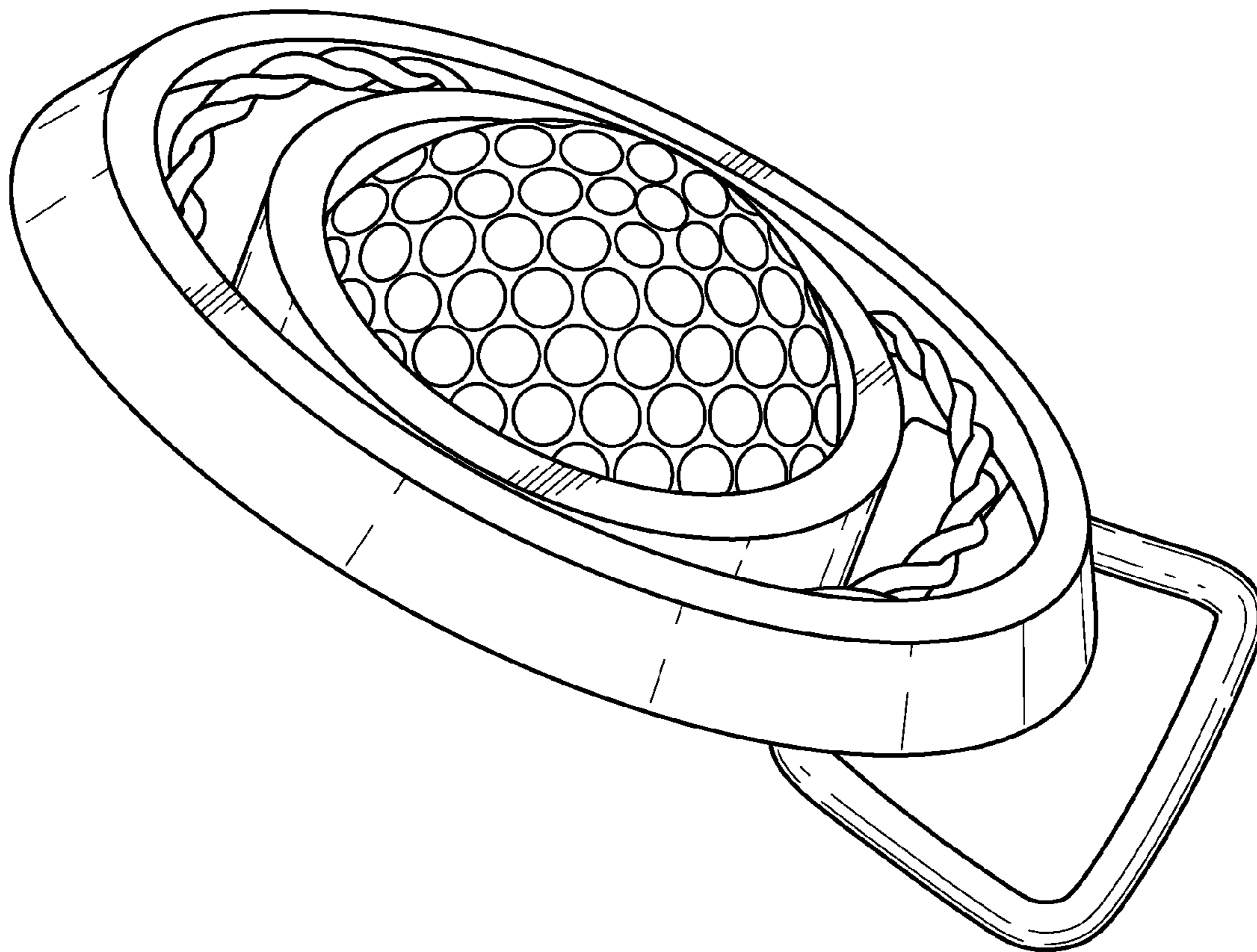
FIG. 4 is a left side view of the golf ball belt buckle of FIG. 1;

FIG. 5 is a side view of the golf ball belt buckle of FIG. 1, viewed from the longest side of the golf ball belt buckle; and,

FIG. 6 is a right side view of the golf ball belt buckle of FIG. 1.

1.

1 Claim, 3 Drawing Sheets



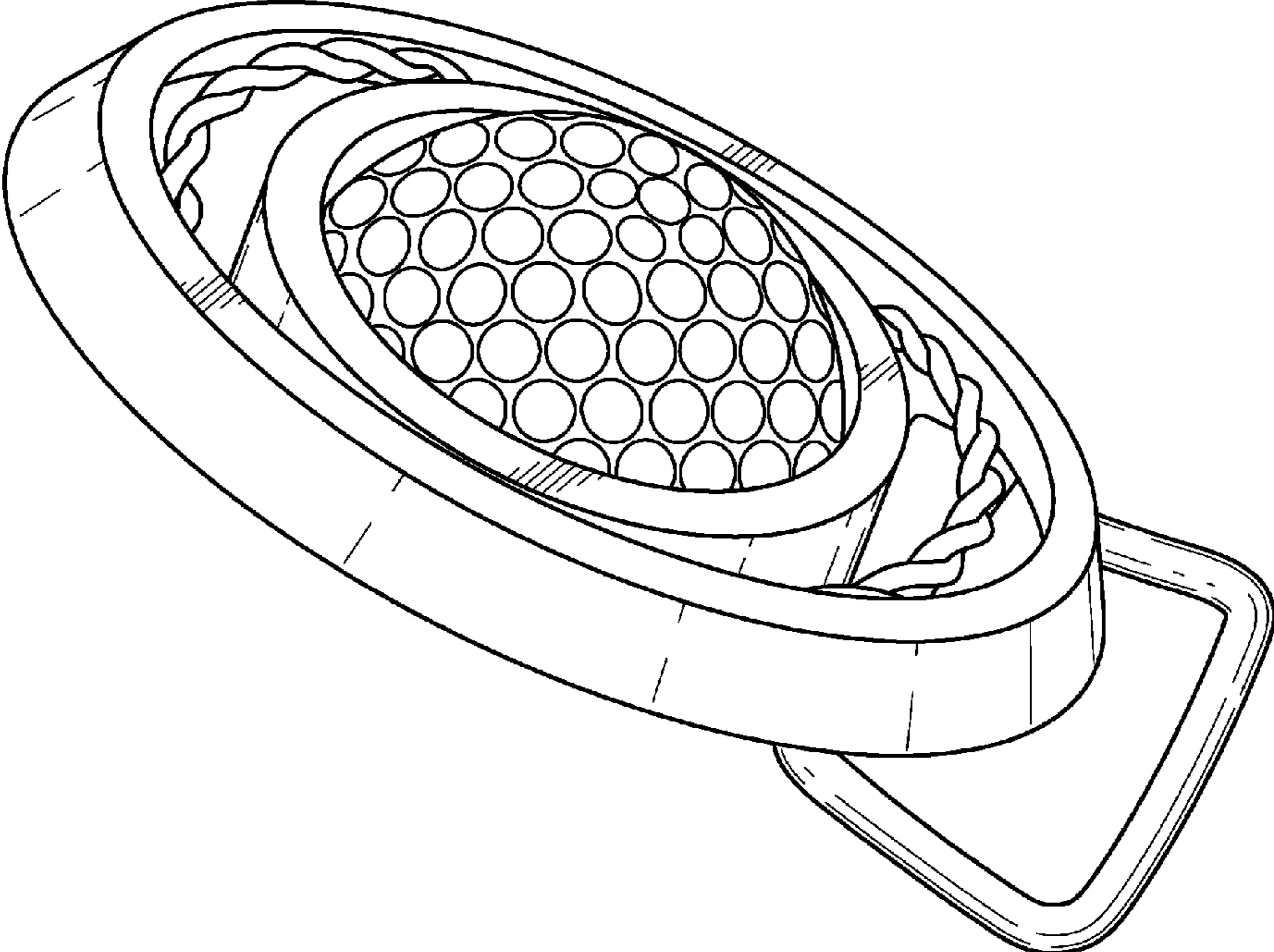


FIG. 1

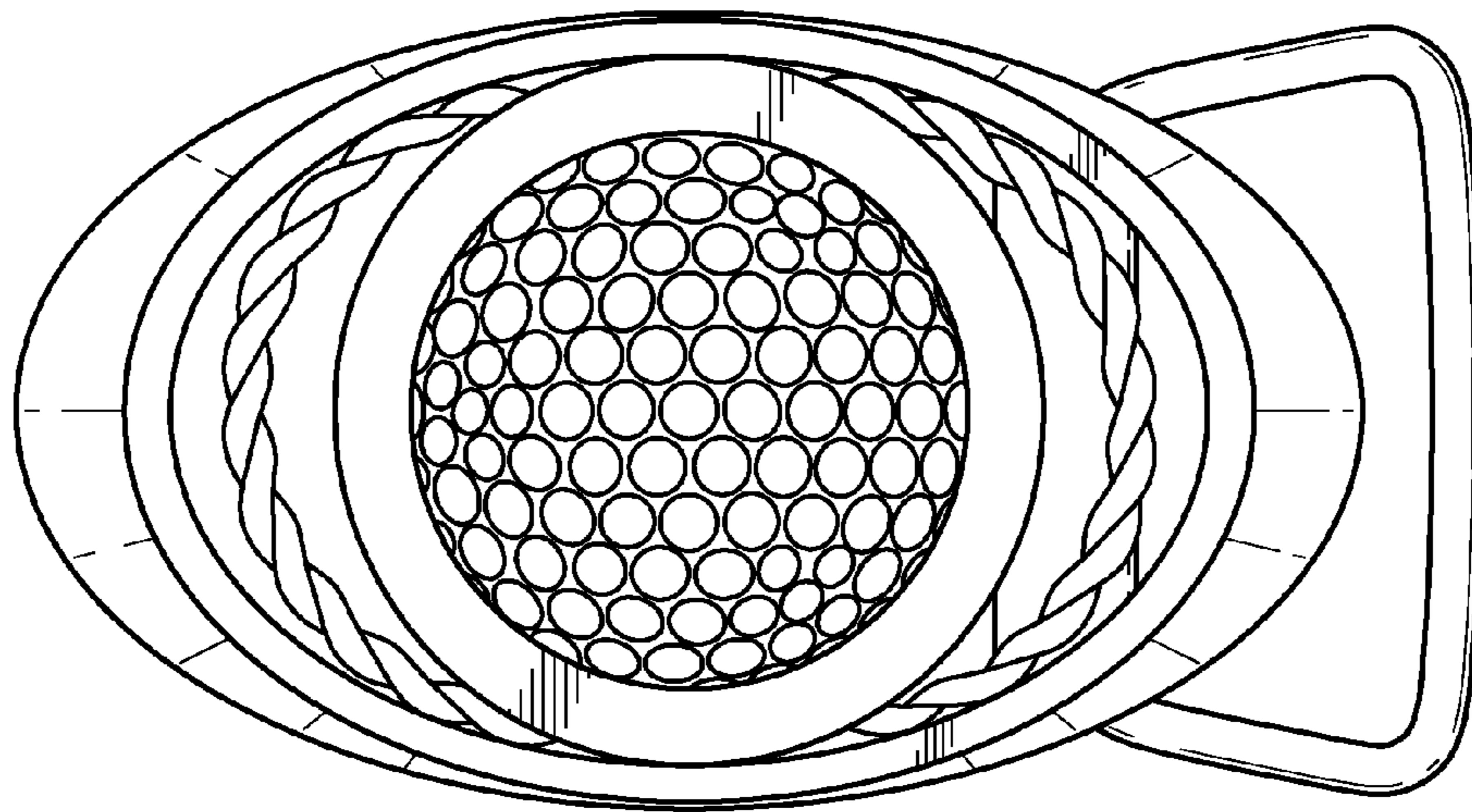


FIG. 2

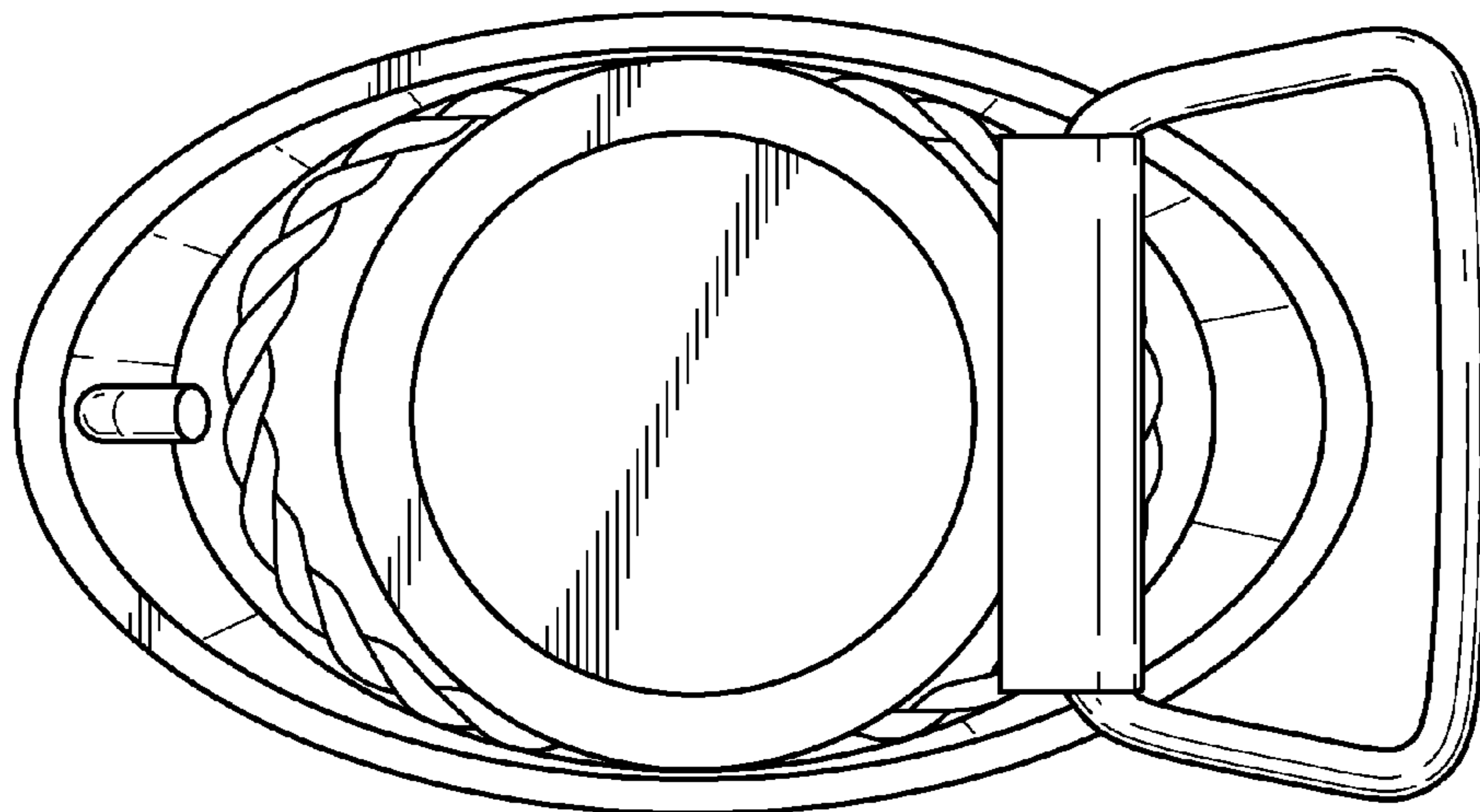


FIG. 3

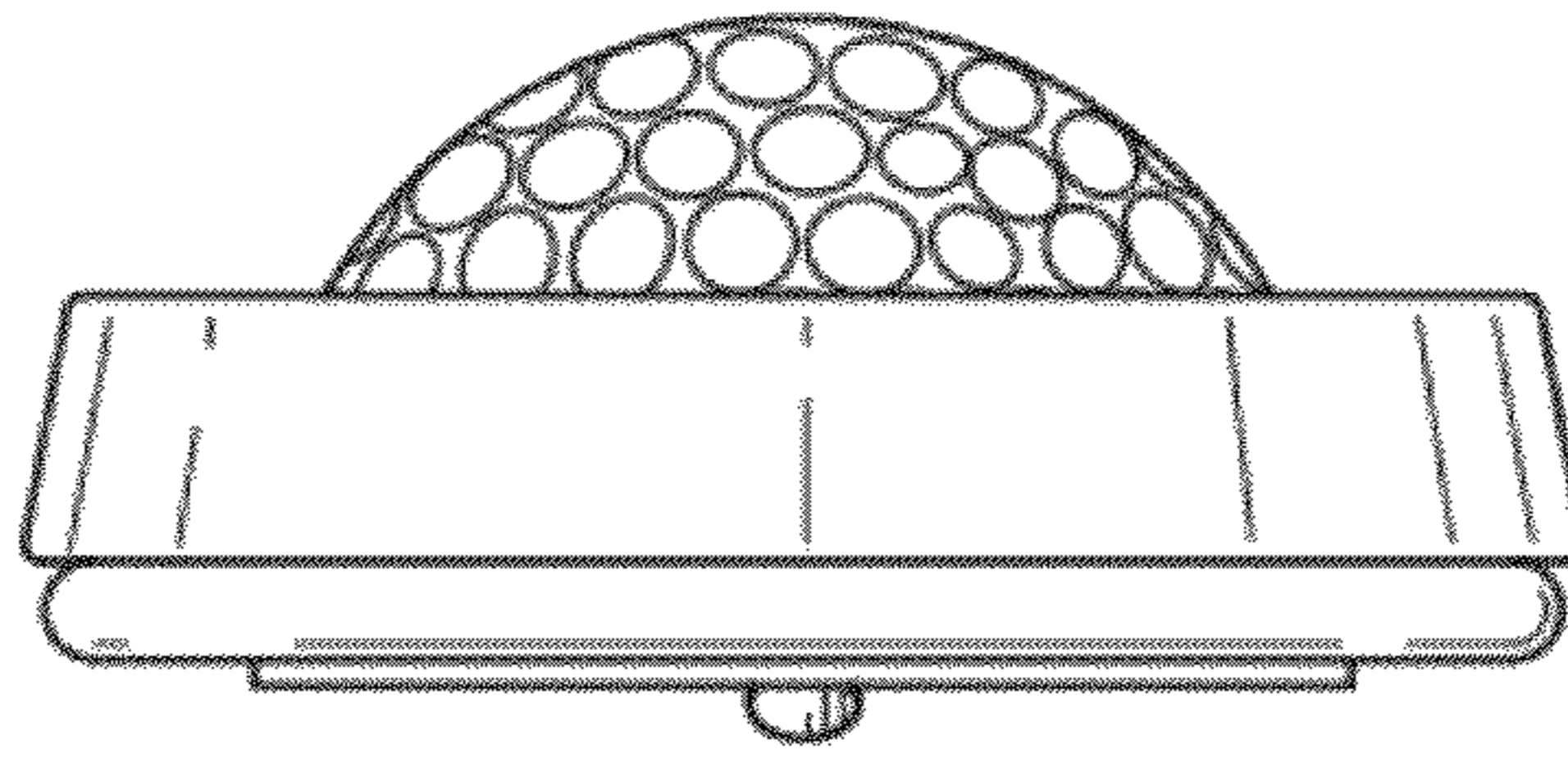


FIG. 4

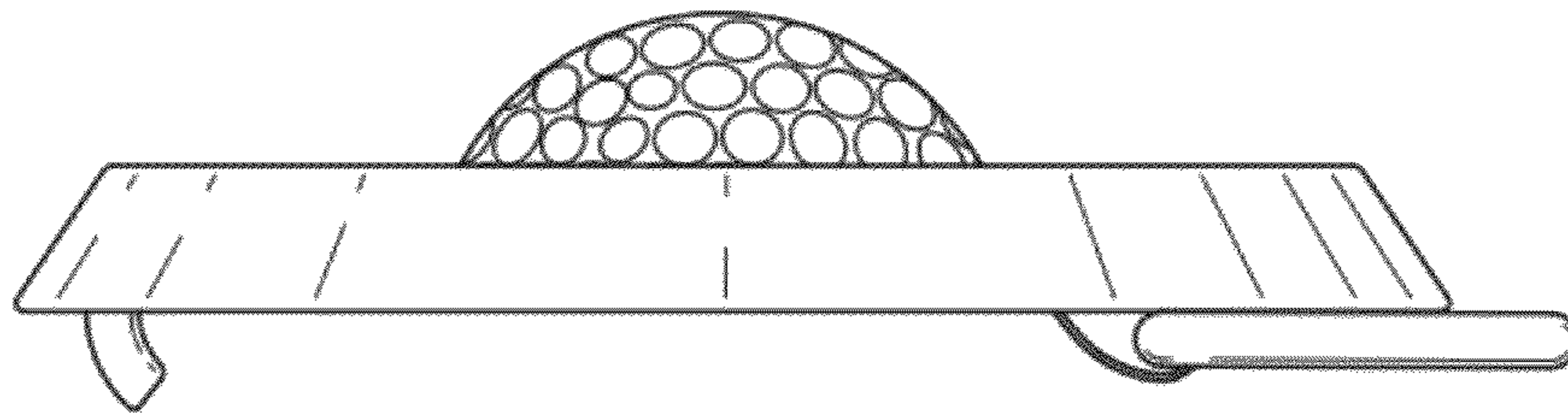


FIG. 5

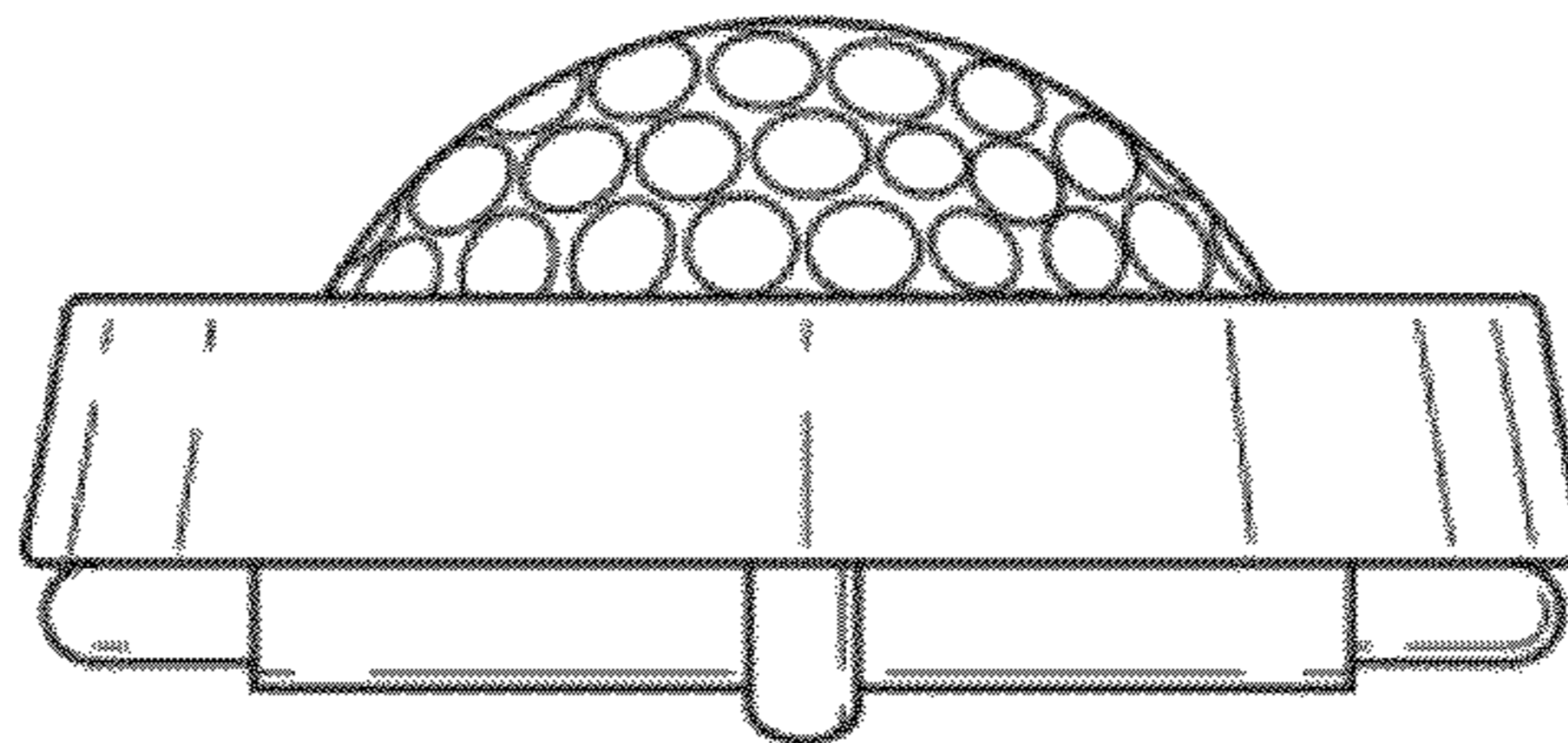


FIG. 6