

US00D668995S

(12) **United States Design Patent**
Dunn

(10) **Patent No.:** **US D668,995 S**
(45) **Date of Patent:** **** Oct. 16, 2012**

(54) **PENNANT DISPLAY HOLDER FOR A CORD**

(76) Inventor: **Scott Eben Dunn**, Atlanta, GA (US)

(**) Term: **14 Years**

(21) Appl. No.: **29/411,311**

(22) Filed: **Jan. 19, 2012**

(51) **LOC (9) Cl.** **11-99**

(52) **U.S. Cl.** **D11/184**

(58) **Field of Classification Search** D11/184;
D8/105, 107, 333, 349, 354, 356, 358, 367,
D8/373, 382, 383, 394-396; D23/261; D26/38;
24/197, 561; 174/153 G; 242/400.1, 405.1,
242/405.2, 600, 916; 248/65, 74.1-74.4,
248/214, 215, 229.26, 201, 302, 204, 316.7,
248/316.8; 439/501; D34/38; 108/57.52

See application file for complete search history.

(56) **References Cited**

U.S. PATENT DOCUMENTS

168,063	A	9/1875	Taylor	
807,747	A	12/1905	Kling	
1,195,276	A	8/1916	Seaman	
1,337,722	A	4/1920	Porter	
1,388,219	A	8/1921	Thompson	
D67,289	S	5/1925	Ladewich	
1,593,078	A *	7/1926	Jacobs	116/173
1,832,318	A	11/1931	Myers	
2,083,431	A	6/1937	Cole	
D133,983	S	10/1942	Anderson	
D137,768	S	4/1944	Shirley	
2,355,154	A	8/1944	Goudreau	
D156,622	S	12/1949	Harmon	
2,601,088	A *	6/1952	Burgess	248/539
D167,185	S	7/1952	Wendt	
2,611,615	A	9/1952	Watson	
2,616,196	A	11/1952	Sandahl	

(Continued)

FOREIGN PATENT DOCUMENTS

WO WO-2010132567 A1 11/2010

OTHER PUBLICATIONS

Specification, Claims, and Drawings entered by the U.S. Patent and Trademark Office on Feb. 4, 2011 for U.S. Appl. No. 61/439,606, filed Feb. 4, 2011 (First Named Inventor—Dunn) (21 pages).

(Continued)

Primary Examiner — T. Chase Nelson

Assistant Examiner — Michelle E Wilson

(74) *Attorney, Agent, or Firm* — Ballard Spahr LLP

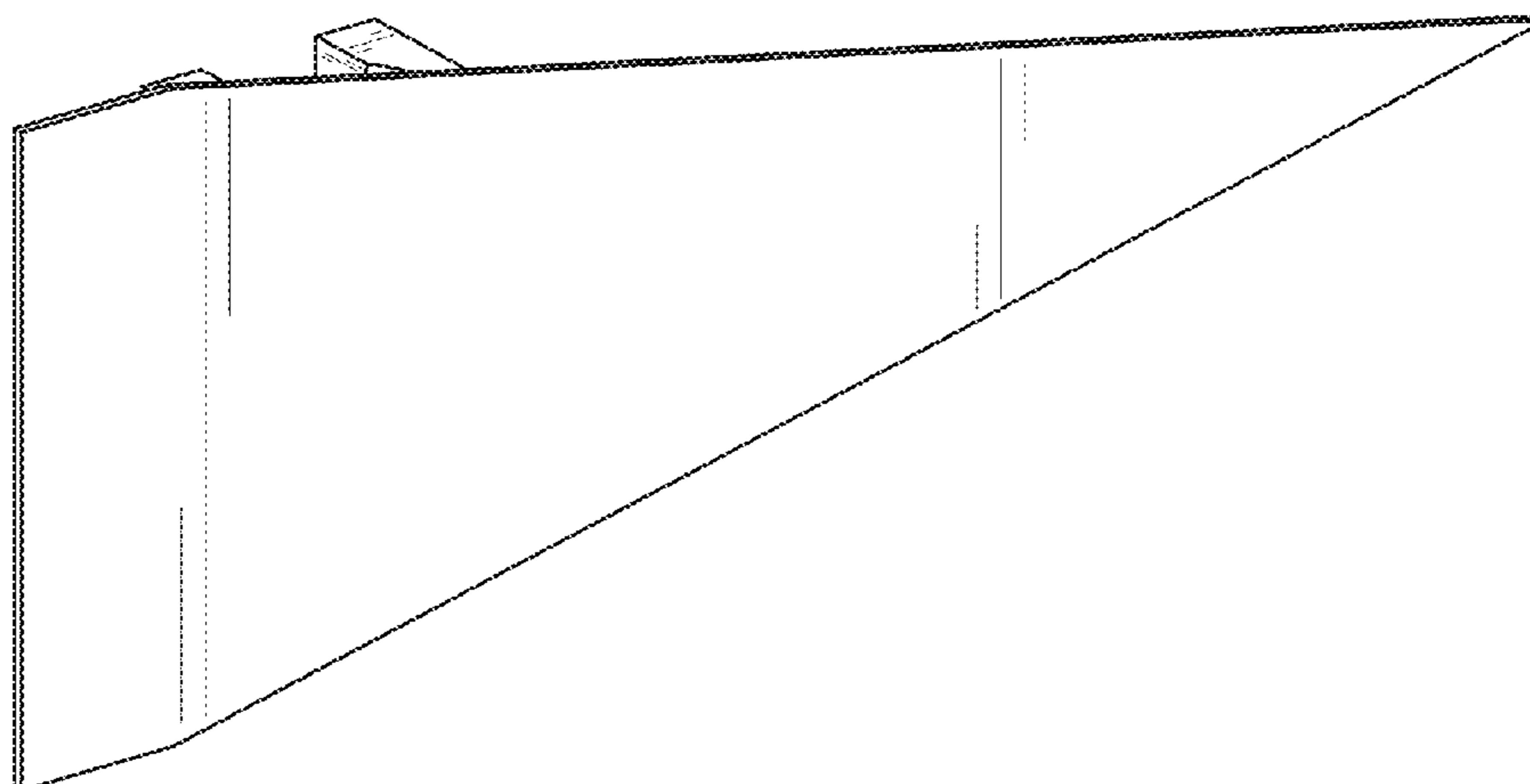
(57) **CLAIM**

The ornamental design for a pennant display holder for a cord, as shown and described.

DESCRIPTION

FIG. 1 is a perspective view of a pennant display holder for a cord of the present invention; FIG. 2 is a front elevational view of the pennant display holder for a cord of FIG. 1; FIG. 3 is a rear elevational view of the pennant display holder for a cord of FIG. 1; FIG. 4 is a left side elevational view of the pennant display holder for a cord of FIG. 1; FIG. 5 is a right side elevational view of the pennant display holder for a cord of FIG. 1; FIG. 6 is a top elevational view of the pennant display holder for a cord of FIG. 1; FIG. 7 is a bottom elevational view of the pennant display holder for a cord of FIG. 1; and, FIG. 8 is a rear perspective view of the pennant display holder for a cord of FIG. 1.

1 Claim, 6 Drawing Sheets



US D668,995 S

U.S. PATENT DOCUMENTS					
2,786,983	A	3/1957 Hill	D413,544	S	9/1999 Steinberg
3,203,700	A	8/1965 Antonious	5,971,436	A	10/1999 Cox
3,228,640	A	1/1966 Wolsh	5,979,028	A	11/1999 Hicks et al.
3,322,381	A	5/1967 Bubb	D421,773	S	3/2000 Yashar
3,519,731	A	7/1970 Grunbaum	6,087,589	A	7/2000 Ide
3,576,304	A	4/1971 Gillemot et al.	6,120,565	A	9/2000 Dix et al.
3,696,920	A	10/1972 Lahay	D436,518	S	1/2001 Matsubara
3,766,854	A *	10/1973 Scarlet 101/211	D438,624	S	3/2001 Reina
3,772,809	A	11/1973 Schneller	D438,788	S	3/2001 Rigel
3,788,269	A *	1/1974 Scarlet 116/173	6,226,865	B1	5/2001 Tanikawa et al.
D235,023	S	4/1975 Swayze	D446,676	S	8/2001 Mayes
4,004,362	A	1/1977 Barbieri	D446,903	S	8/2001 Pavan
4,011,673	A	3/1977 Levine	6,269,573	B1	8/2001 Najmi
4,103,949	A	8/1978 Bouloy	D448,276	S	9/2001 Kelleghan
4,131,226	A	12/1978 Breiter et al.	6,301,756	B1	10/2001 Howard
4,177,750	A *	12/1979 Scarlet 116/173	D449,981	S	11/2001 Davis
4,198,202	A	4/1980 Kleber	D452,135	S	12/2001 Wyatt et al.
D256,398	S	8/1980 Mitchell	6,332,247	B1	12/2001 Hsieh
4,261,121	A	4/1981 Coon	D454,244	S	3/2002 Scheff
4,294,895	A	10/1981 Atkins	D454,971	S	3/2002 Crosby
D266,054	S	9/1982 Goodman	D455,145	S	4/2002 Williams
4,398,444	A	8/1983 Walker	D456,016	S	4/2002 Denson
D270,525	S	9/1983 Bayusik	D456,389	S	4/2002 Denson
D275,174	S	8/1984 Rolli	D456,692	S	5/2002 Epstein
4,464,834	A	8/1984 Simms	D457,157	S	5/2002 Best
D280,393	S	9/1985 Lee	6,381,840	B2	5/2002 Ide
D280,394	S	9/1985 Lee	6,392,147	B1	5/2002 Hier et al.
4,539,767	A	9/1985 Jaffe	D459,194	S	6/2002 Johansson et al.
D285,044	S	8/1986 Mockett	6,409,131	B1	6/2002 Bentley et al.
D289,138	S	4/1987 Nead	D460,350	S	7/2002 Davis
4,656,767	A	4/1987 Tarrant	6,430,782	B1	8/2002 Torres et al.
D289,732	S	5/1987 Jason	D465,993	S	11/2002 Kelleghan
D293,766	S	1/1988 Lamb	6,490,789	B1	12/2002 Ide
4,738,817	A	4/1988 Wittwer et al.	6,497,063	B1	12/2002 Stephens
4,821,988	A	4/1989 Jimenez	D477,772	S	7/2003 Nezu
4,856,214	A	8/1989 Machen	6,598,558	B2 *	7/2003 Griffin 116/173
D305,254	S	12/1989 Bateman et al.	6,634,528	B2	10/2003 Hurtgam
D308,011	S	5/1990 Norris	D481,649	S	11/2003 Samuels
D314,529	S	2/1991 Willard	D482,391	S	11/2003 Hui
D317,171	S	5/1991 Saks	6,651,362	B2	11/2003 Caveney
D321,913	S	11/1991 Wolff	6,657,126	B2	12/2003 Ide et al.
D325,400	S	4/1992 Wolff	6,662,445	B2	12/2003 Tanikawa et al.
5,122,068	A	6/1992 Koss	D485,783	S	1/2004 Youngman
5,161,799	A	11/1992 Nandra	D486,926	S	2/2004 Yuen
5,203,129	A	4/1993 Johnson	D490,692	S	6/2004 Williams
5,207,174	A *	5/1993 Fabbrini 116/173	D491,836	S	6/2004 Haimoff
5,209,992	A	5/1993 Feres	D492,800	S	7/2004 Yuen
D336,131	S	6/1993 Nordstrom et al.	D494,087	S	8/2004 Lax
D340,038	S	10/1993 Venne et al.	D494,090	S	8/2004 Lax
D356,350	S	3/1995 Berggreen	D494,091	S	8/2004 Lax
D358,615	S	5/1995 Cline	D494,092	S	8/2004 Lax
D364,201	S	11/1995 Jensen	D494,093	S	8/2004 Lax
D365,781	S	1/1996 Osborn	6,844,499	B2	1/2005 Ide et al.
5,479,735	A	1/1996 Martin, Jr.	D502,122	S	2/2005 Lax
D369,042	S *	4/1996 Kinart D6/470	6,858,804	B2	2/2005 Murakami et al.
D369,758	S	5/1996 Remidio	D505,091	S	5/2005 Youngman
5,536,096	A	7/1996 Nowak	D505,356	S	5/2005 Ho
5,537,042	A	7/1996 Beutler et al.	D507,508	S	7/2005 Brownell
5,584,122	A	12/1996 Kato et al.	6,940,020	B2	9/2005 Ide et al.
5,657,198	A	8/1997 Flener	D511,709	S	11/2005 Mehta
5,669,191	A	9/1997 Weaver	D511,987	S	11/2005 Swarovski
D388,833	S	1/1998 Wilson	D511,989	S	11/2005 Pereira De Castro et al.
5,712,767	A	1/1998 Koizumi	D512,934	S	12/2005 Voorn
D390,066	S	2/1998 Watkins et al.	D514,978	S	2/2006 Laxhi
D393,345	S	4/1998 Clegg et al.	D520,676	S	5/2006 Chen
5,740,622	A *	4/1998 Martin 40/591	D521,409	S	5/2006 De Castro et al.
D396,146	S	7/1998 Blue	7,073,282	B2	7/2006 Savagian et al.
D401,883	S	12/1998 Madhvani	7,111,812	B2	9/2006 Shannon et al.
5,845,883	A	12/1998 Meyer	D529,557	S *	10/2006 Greenwald D21/405
5,869,784	A	2/1999 Shinchi	D534,594	S	1/2007 Revere
D407,453	S	3/1999 Rashman	D535,907	S	1/2007 Sevdermish
5,887,368	A	3/1999 Rupp	D538,351	S	3/2007 Strong et al.
D412,136	S	7/1999 Namdar et al.	D542,123	S	5/2007 Symons
5,922,993	A	7/1999 Ide et al.	D548,057	S	8/2007 Kelleghan
5,925,202	A	7/1999 Ide et al.	D563,157	S	3/2008 Bouveret et al.
5,929,384	A	7/1999 Ide et al.	D563,616	S	3/2008 Lynde et al.
5,933,995	A	8/1999 Gorbach	D563,828	S	3/2008 Meijer
5,934,509	A	8/1999 Niss	D568,723	S	5/2008 Morgan
			D572,126	S	7/2008 Tomaka

D572,165 S	7/2008	Lichtenstein	
D578,163 S	10/2008	Chou	
D578,275 S	10/2008	Shantz et al.	
D585,196 S	1/2009	Bundrick	
D587,162 S	2/2009	Baker	
D587,163 S	2/2009	Baker	
D587,164 S	2/2009	Baker	
D587,623 S	3/2009	Baker	
D587,624 S	3/2009	Baker	
D589,328 S	3/2009	Edge	
7,509,765 B2	3/2009	Flores	
D590,676 S	4/2009	Pickard	
D590,885 S	4/2009	Love	
D592,540 S	5/2009	Rydlawicz	
D599,246 S	9/2009	Rudes	
D609,951 S	2/2010	Walker	
D610,482 S	2/2010	Shaw	
7,687,999 B2 *	3/2010	Essick et al.	315/200 A
D618,985 S	7/2010	Sjoqvist	
D626,880 S	11/2010	Castaline et al.	
D629,286 S	12/2010	Laskowski	
D629,671 S	12/2010	Ohori et al.	
D635,485 S	4/2011	Schanzer	
D639,408 S	6/2011	Newman	
D639,700 S	6/2011	Adams et al.	
D644,150 S	8/2011	Edick	
D644,501 S	9/2011	Chen	
D645,345 S	9/2011	Liebowitz et al.	
D646,730 S	10/2011	Burch	
D652,460 S	1/2012	Kulzer	
D652,766 S	1/2012	Dunn	
D652,767 S	1/2012	Dunn	
D653,163 S	1/2012	Dunn	
D653,164 S	1/2012	Dunn	
D653,165 S	1/2012	Dunn	
D653,166 S	1/2012	Dunn	
D653,167 S	1/2012	Dunn	
D653,168 S	1/2012	Dunn	
D655,887 S	3/2012	Zbuchalski	
D656,067 S	3/2012	Dunn	
2008/0285785 A1	11/2008	Zieg et al.	
2012/0031981 A1	2/2012	Westlake et al.	

OTHER PUBLICATIONS

Specification, Claims, and Drawings entered by the U.S. Patent and Trademark Office on Feb. 6, 2012 for U.S. Appl. No. 13/367,352, filed Feb. 6, 2012 (First Named Inventor—Dunn) (28 pages).

Specification, Claims, and Drawings entered by the U.S. Patent and Trademark Office on Jun. 18, 2011 for U.S. Appl. No. 29/394,588, filed Jun. 18, 2011 (First Named Inventor—Dunn) (34 pages).

Requirement for Restriction/Election entered by the U.S. Patent and Trademark Office on Sep. 21, 2011 for U.S. Appl. No. 29/394,588, filed Jun. 18, 2011 (First Named Inventor—Dunn) (5 pages).

Response to Election / Restriction Filed entered by the U.S. Patent and Trademark Office on Nov. 21, 2011 for U.S. Appl. No. 29/394,588, filed Jun. 18, 2011 (First Named Inventor—Dunn) (2 pages).

Notice of Allowance and Fees Due entered by the U.S. Patent and Trademark Office on Jan. 6, 2012 for U.S. Appl. No. 29/394,588, filed Jun. 18, 2011 (First Named Inventor—Dunn) (8 pages).

Specification, Claims, and Drawings entered by the U.S. Patent and Trademark Office on Jun. 18, 2011 for U.S. Appl. No. 29/394,589, filed Jun. 18, 2011 (First Named Inventor—Dunn) (12 pages).

Notice of Allowance and Fees Due entered by the U.S. Patent and Trademark Office on Sep. 20, 2011 for U.S. Appl. No. 29/394,589, filed Jun. 18, 2011 (First Named Inventor—Dunn) (7 pages).

Supplemental Notice of Allowability entered by the U.S. Patent and Trademark Office on Nov. 14, 2011 for U.S. Appl. No. 29/394,589, filed Jun. 18, 2011 (First Named Inventor—Dunn) (4 pages).

Issue Notification entered by the U.S. Patent and Trademark Office on Jan. 11, 2012 for U.S. Appl. No. 29/394,589, which was filed on Jun. 18, 2011 (First Named Inventor—Dunn) (1 page).

Specification, Claims, and Drawings entered by the U.S. Patent and Trademark Office on Jun. 18, 2011 for U.S. Appl. No. 29/394,590, filed Jun. 18, 2011 (First Named Inventor—Dunn) (14 pages).

Notice of Allowance and Fees Due entered by the U.S. Patent and Trademark Office on Sep. 23, 2011 for U.S. Appl. No. 29/394,590, filed Jun. 18, 2011 (First Named Inventor—Dunn) (7 pages).

Supplemental Notice of Allowability entered by the U.S. Patent and Trademark Office on Oct. 25, 2011 for U.S. Appl. No. 29/394,590, filed Jun. 18, 2011 (First Named Inventor—Dunn) (2 pages).

Issue Notification entered by the U.S. Patent and Trademark Office on Jan. 4, 2012 for U.S. Appl. No. 29/394,590, filed Jun. 18, 2011 (First Named Inventor—Dunn) (1 page).

Specification, Claims, and Drawings entered by the U.S. Patent and Trademark Office on Jun. 18, 2011 for U.S. Appl. No. 29/394,591, filed Jun. 18, 2011 (First Named Inventor—Dunn) (10 pages).

Notice of Allowance and Fees Due entered by the U.S. Patent and Trademark Office on Sep. 19, 2011 for U.S. Appl. No. 29/394,591, filed Jun. 18, 2011 (First Named Inventor—Dunn) (7 pages).

Supplemental Notice of Allowability entered by the U.S. Patent and Trademark Office on Oct. 12, 2011 for U.S. Appl. No. 29/394,591, filed Jun. 18, 2011 (First Named Inventor—Dunn) (2 pages).

Issue Notification entered by the U.S. Patent and Trademark Office on Jan. 11, 2012 for U.S. Appl. No. 29/394,591, filed Jun. 18, 2011 (First Named Inventor—Dunn) (1 page).

Specification, Claims, and Drawings entered by the U.S. Patent and Trademark Office on Jun. 18, 2011 for U.S. Appl. No. 29/394,592, filed Jun. 18, 2011 (First Named Inventor—Dunn) (18 pages).

Requirement for Restriction/Election entered by the U.S. Patent and Trademark Office on Sep. 22, 2011 for U.S. Appl. No. 29/394,592, filed Jun. 18, 2011 (First Named Inventor—Dunn) (5 pages).

Response to Restriction Requirement entered by the U.S. Patent and Trademark Office on Oct. 27, 2011 for U.S. Appl. No. 29/394,592, filed Jun. 18, 2011 (First Named Inventor—Dunn) (2 pages).

Notice of Allowance and Fees Due entered by the U.S. Patent and Trademark Office on Dec. 20, 2011 for U.S. Appl. No. 29/394,592, filed Jun. 18, 2011 (First Named Inventor—Dunn) (9 pages).

Specification, Claims, and Drawings entered by the U.S. Patent and Trademark Office on Jun. 18, 2011 for U.S. Appl. No. 29/394,593, filed Jun. 18, 2011 (First Named Inventor—Dunn) (12 pages).

Notice of Allowance and Fees Due entered by the U.S. Patent and Trademark Office on Sep. 20, 2011 for U.S. Appl. No. 29/394,593, filed Jun. 18, 2011 (First Named Inventor—Dunn) (7 pages).

Supplemental Notice of Allowability entered by the U.S. Patent and Trademark Office on Oct. 12, 2011 for U.S. Appl. No. 29/394,593, filed Jun. 18, 2011 (First Named Inventor—Dunn) (2 pages).

Issue Notification entered by the U.S. Patent and Trademark Office on Jan. 11, 2012 for U.S. Appl. No. 29/394,593, filed Jun. 18, 2011 (First Named Inventor—Dunn) (1 page).

Specification, Claims, and Drawings entered by the U.S. Patent and Trademark Office on Jun. 18, 2011 for U.S. Appl. No. 29/394,594, filed Jun. 18, 2011 (First Named Inventor—Dunn) (7 pages).

Notice of Allowance and Fees Due entered by the U.S. Patent and Trademark Office on Sep. 23, 2011 for U.S. Appl. No. 29/394,594, filed Jun. 18, 2011 (First Named Inventor—Dunn) (7 pages).

Supplemental Notice of Allowability entered by the U.S. Patent and Trademark Office on Nov. 29, 2011 for U.S. Appl. No. 29/394,594, filed Jun. 18, 2011 (First Named Inventor—Dunn) (2 pages).

Issue Notification entered by the U.S. Patent and Trademark Office on Jan. 11, 2012 for U.S. Appl. No. 29/394,594, filed Jun. 18, 2011 (First Named Inventor—Dunn) (1 page).

Specification, Claims, and Drawings entered by the U.S. Patent and Trademark Office on Jun. 18, 2011 for U.S. Appl. No. 29/394,595, filed Jun. 18, 2011 (First Named Inventor—Dunn) (12 pages).

Notice of Allowance and Fees Due entered by the U.S. Patent and Trademark Office on Sep. 23, 2011 for U.S. Appl. No. 29/394,595, filed Jun. 18, 2011 (First Named Inventor—Dunn) (7 pages).

Supplemental Notice of Allowability entered by the U.S. Patent and Trademark Office on Oct. 26, 2011 for U.S. Appl. No. 29/394,595, filed Jun. 18, 2011 (First Named Inventor—Dunn) (2 pages).

Issue Notification entered by the U.S. Patent and Trademark Office on Jan. 11, 2012 for U.S. Appl. No. 29/394,595, filed Jun. 18, 2011 (First Named Inventor—Dunn) (1 page).

Specification, Claims, and Drawings entered by the U.S. Patent and Trademark Office on Jun. 18, 2011 for U.S. Appl. No. 29/394,596, filed Jun. 18, 2011 (First Named Inventor—Dunn) (23 pages).

Requirement for Restriction/Election entered by the U.S. Patent and Trademark Office on Sep. 29, 2011 for U.S. Appl. No. 29/394,596, filed Jun. 18, 2011 (First Named Inventor—Dunn) (5 pages).

Response to Restriction Requirement entered by the U.S. Patent and Trademark Office on Nov. 4, 2011 for U.S. Appl. No. 29/394,596, filed Jun. 18, 2011 (First Named Inventor—Dunn) (2 pages).

Notice of Allowance and Fees Due entered by the U.S. Patent and Trademark Office on Dec. 13, 2011 for U.S. Appl. No. 29/394,596, filed Jun. 18, 2011 (First Named Inventor—Dunn) (9 pages).

Specification, Claims, and Drawings entered by the U.S. Patent and Trademark Office on Jun. 18, 2011 for U.S. Appl. No. 29/394,597, filed Jun. 18, 2011 (First Named Inventor—Dunn) (29 pages).

Requirement for Restriction/Election entered by the U.S. Patent and Trademark Office on Sep. 29, 2011 for U.S. Appl. No. 29/394,597, filed Jun. 18, 2011 (First Named Inventor—Dunn) (5 pages).

Response to Restriction Requirement entered by the U.S. Patent and Trademark Office on Nov. 29, 2011 for U.S. Appl. No. 29/394,597, filed Jun. 18, 2011 (First Named Inventor—Dunn) (2 pages).

Notice of Allowance and Fees Due entered by the U.S. Patent and Trademark Office on Jan. 5, 2012 for U.S. Appl. No. 29/394,597, filed Jun. 18, 2011 (First Named Inventor—Dunn) (8 pages).

Specification, Claims, and Drawings entered by the U.S. Patent and Trademark Office on Jun. 18, 2011 for U.S. Appl. No. 29/394,598, filed Jun. 18, 2011 (First Named Inventor—Dunn) (7 pages).

Notice of Allowance and Fees Due entered by the U.S. Patent and Trademark Office on Sep. 19, 2011 for U.S. Appl. No. 29/394,598, filed Jun. 18, 2011 (First Named Inventor—Dunn) (7 pages).

Supplemental Notice of Allowability entered by the U.S. Patent and Trademark Office on Oct. 25, 2011 for U.S. Appl. No. 29/394,598, filed Jun. 18, 2011 (First Named Inventor—Dunn) (2 pages).

Issue Notification entered by the U.S. Patent and Trademark Office on Jan. 4, 2012 for U.S. Appl. No. 29/394,598, filed Jun. 18, 2011 (First Named Inventor—Dunn) (1 page).

Specification, Claims, and Drawings entered by the U.S. Patent and Trademark Office on Jun. 18, 2011 for U.S. Appl. No. 29/394,599, filed Jun. 18, 2011 (First Named Inventor—Dunn) (8 pages).

Notice of Allowance and Fees Due entered by the U.S. Patent and Trademark Office on Sep. 23, 2011 for U.S. Appl. No. 29/394,599, filed Jun. 18, 2011 (First Named Inventor—Dunn) (7 pages).

Supplemental Notice of Allowability entered by the U.S. Patent and Trademark Office on Oct. 26, 2011 for U.S. Appl. No. 29/394,599, filed Jun. 18, 2011 (First Named Inventor—Dunn) (2 pages).

Issue Notification entered by the U.S. Patent and Trademark Office on Jan. 11, 2012 for U.S. Appl. No. 29/394,599, filed Jun. 18, 2011 (First Named Inventor—Dunn) (1 page).

Specification, Claims, and Drawings entered by the U.S. Patent and Trademark Office on Jun. 18, 2011 for U.S. Appl. No. 29/394,600, filed Jun. 18, 2011 (First Named Inventor—Dunn) (12 pages).

Requirement for Restriction/Election entered by the U.S. Patent and Trademark Office on Sep. 29, 2011 for U.S. Appl. No. 29/394,600, filed Jun. 18, 2011 (First Named Inventor—Dunn) (5 pages).

Response to Restriction Requirement entered by the U.S. Patent and Trademark Office on Nov. 17, 2011 for U.S. Appl. No. 29/394,600, filed Jun. 18, 2011 (First Named Inventor—Dunn) (2 pages).

Notice of Allowance and Fees Due entered by the U.S. Patent and Trademark Office on Dec. 12, 2011 for U.S. Appl. No. 29/394,600, filed Jun. 18, 2011 (First Named Inventor—Dunn) (9 pages).

Amendment and Response to Notice of Allowability entered by the U.S. Patent and Trademark Office on Feb. 2, 2012 for U.S. Appl. No. 29/394,600, filed Jun. 18, 2011 (First Named Inventor—Dunn) (9 pages).

Issue Notification entered by the U.S. Patent and Trademark Office on Feb. 29, 2012 for U.S. Appl. No. 29/394,600, filed Jun. 18, 2011 (First Named Inventor—Dunn) (1 page).

Specification, Claims, and Drawings entered by the U.S. Patent and Trademark Office on Jan. 19, 2012 for U.S. Appl. No. 29/411,283, filed Jan. 19, 2012 (First Named Inventor—Dunn) (7 pages).

Specification, Claims, and Drawings entered by the U.S. Patent and Trademark Office on Jan. 19, 2012 for U.S. Appl. No. 29/411,284, filed Jan. 19, 2012 (First Named Inventor—Dunn) (7 pages).

Specification, Claims, and Drawings entered by the U.S. Patent and Trademark Office on Jan. 19, 2012 for U.S. Appl. No. 29/411,285, filed Jan. 19, 2012 (First Named Inventor—Dunn) (7 pages).

Notice of Allowance entered by the U.S. Patent and Trademark Office on Apr. 9, 2012 for U.S. Appl. No. 29/411,285, filed Jan. 19, 2012 (First Named Inventor—Dunn) (7 pages).

Specification, Claims, and Drawings entered by the U.S. Patent and Trademark Office on Jan. 19, 2012 for U.S. Appl. No. 29/411,286, filed Jan. 19, 2012 (First Named Inventor—Dunn) (7 pages).

Notice of Allowance and Fees Due entered by the U.S. Patent and Trademark Office on Mar. 2, 2012 for U.S. Appl. No. 29/411,286, filed Jan. 19, 2012 (First Named Inventor—Dunn) (7 pages).

Specification, Claims, and Drawings entered by the U.S. Patent and Trademark Office on Jan. 19, 2012 for U.S. Appl. No. 29/411,288, filed Jan. 19, 2012 (First Named Inventor—Dunn) (7 pages).

Specification, Claims, and Drawings entered by the U.S. Patent and Trademark Office on Jan. 19, 2012 for U.S. Appl. No. 29/411,291, filed Jan. 19, 2012 (First Named Inventor—Dunn) (7 pages).

Specification, Claims, and Drawings entered by the U.S. Patent and Trademark Office on Jan. 19, 2012 for U.S. Appl. No. 29/411,293, filed Jan. 19, 2012 (First Named Inventor—Dunn) (7 pages).

Specification, Claims, and Drawings entered by the U.S. Patent and Trademark Office on Jan. 19, 2012 for U.S. Appl. No. 29/411,295, filed Jan. 19, 2012 (First Named Inventor—Dunn) (7 pages).

Notice of Allowance entered by the U.S. Patent and Trademark Office on Apr. 4, 2012 for U.S. Appl. No. 29/411,295, filed Jan. 19, 2012 (First Named Inventor—Dunn) (7 pages).

Specification, Claims, and Drawings entered by the U.S. Patent and Trademark Office on Jan. 19, 2012 for U.S. Appl. No. 29/411,296, filed Jan. 19, 2012 (First Named Inventor—Dunn) (7 pages).

Specification, Claims, and Drawings entered by the U.S. Patent and Trademark Office on Jan. 19, 2012 for U.S. Appl. No. 29/411,297, filed Jan. 19, 2012 (First Named Inventor—Dunn) (7 pages).

Specification, Claims, and Drawings entered by the U.S. Patent and Trademark Office on Jan. 19, 2012 for U.S. Appl. No. 29/411,298, filed Jan. 19, 2012 (First Named Inventor—Dunn) (7 pages).

Specification, Claims, and Drawings entered by the U.S. Patent and Trademark Office on Jan. 19, 2012 for U.S. Appl. No. 29/411,300, filed Jan. 19, 2012 (First Named Inventor—Dunn) (8 pages).

Specification, Claims, and Drawings entered by the U.S. Patent and Trademark Office on Jan. 19, 2012 for U.S. Appl. No. 29/411,302, filed Jan. 19, 2012 (First Named Inventor—Dunn) (8 pages).

Specification, Claims, and Drawings entered by the U.S. Patent and Trademark Office on Jan. 19, 2012 for U.S. Appl. No. 29/411,309, filed Jan. 19, 2012 (First Named Inventor—Dunn) (8 pages).

Specification, Claims, and Drawings entered by the U.S. Patent and Trademark Office on Jan. 19, 2012 for U.S. Appl. No. 29/411,313, filed Jan. 19, 2012 (First Named Inventor—Dunn) (8 pages).

Specification, Claims, and Drawings entered by the U.S. Patent and Trademark Office on Jan. 19, 2012 for U.S. Appl. No. 29/411,315, filed Jan. 19, 2012 (First Named Inventor—Dunn) (8 pages).

Specification, Claims, and Drawings entered by the U.S. Patent and Trademark Office on Jan. 19, 2012 for U.S. Appl. No. 29/411,316, filed Jan. 19, 2012 (First Named Inventor—Dunn) (8 pages).

Stick'nGo, <http://stickngo.com.au>, Stick'nGo Cables Label, Accessed Nov. 26, 2010.

Fiber Network Tools, <http://www.fibernetnetworktools.com/catalog2.php>, FNT Cables and Assemblies, Accessed Nov. 26, 2010.

NELCO Products Incorporated, <http://www.nelcoproducts.com>, NELCO Blank Flag Tie Markets, Accessed Nov. 26, 2010.

Sunlec International, <http://www.sunlec.com.au>, Sunlec International Cable Sleeves, Accessed Nov. 26, 2010.

The Cable Label Co., <http://www.thecablelabelco.co.uk/buy.php>, Buy Cable Bug Labels in Bags, Accessed Nov. 26, 2010.

The Storage Store, <http://www.thestoragelabel.com>, Computer Cable Flags, Accessed Nov. 26, 2010.

Non-final Office Action entered by the U.S. Patent and Trademark Office on Mar. 6, 2012 for U.S. Appl. No. 29/411,283, filed Jan. 19, 2012 (First Named Inventor—Dunn) (5 pages).

Non-final Office Action entered by the U.S. Patent and Trademark Office on Mar. 26, 2012 for U.S. Appl. No. 29/411,284, filed Jan. 19, 2012 (First Named Inventor—Dunn) (5 pages).

Notice of Allowance and Fees Due entered by the U.S. Patent and Trademark Office on Mar. 6, 2012 for U.S. Appl. No. 29/411,288, filed Jan. 19, 2012 (First Named Inventor—Dunn) (7 pages).

Notice of Allowance entered by the U.S. Patent and Trademark Office on Apr. 4, 2012 for U.S. Appl. No. 29/411,291, filed Jan. 19, 2012 (First Named Inventor—Dunn) (7 pages).

Notice of Allowance entered by the U.S. Patent and Trademark Office on Apr. 4, 2012 for U.S. Appl. No. 29/411,293, filed Jan. 19, 2012 (First Named Inventor—Dunn) (7 pages).

Notice of Allowance and Fees Due entered by the U.S. Patent and Trademark Office on Mar. 20, 2012 for U.S. Appl. No. 29/411,296, filed Jan. 19, 2012 (First Named Inventor—Dunn) (7 pages).

Notice of Allowance entered by the U.S. Patent and Trademark Office on Apr. 2, 2012 for U.S. Appl. No. 29/411,298, filed Jan. 19, 2012 (First Named Inventor—Dunn) (7 pages).

Notice of Allowance entered by the U.S. Patent and Trademark Office on Apr. 2, 2012 for U.S. Appl. No. 29/411,300, filed Jan. 19, 2012 (First Named Inventor—Dunn) (7 pages).

Office Action entered by the U.S. Patent and Trademark Office on Mar. 30, 2012 for U.S. Appl. No. 29/411,309, filed Jan. 19, 2012 (First Named Inventor—Dunn) (6 pages).

Specification, Claims, and Drawings entered by the U.S. Patent and Trademark Office on Jan. 19, 2012 for U.S. Appl. No. 29/411,277, filed Jan. 19, 2012 (First Named Inventor—Dunn) (7 pages).

Notice of Allowance and Fees Due entered by the U.S. Patent and Trademark Office on Mar. 2, 2012 for U.S. Appl. No. 29/411,277, filed Jan. 19, 2012 (First Named Inventor—Dunn) (7 pages).

Specification, Claims, and Drawings entered by the U.S. Patent and Trademark Office on Jan. 19, 2012 for U.S. Appl. No. 29/411,282, filed Jan. 19, 2012 (First Named Inventor—Dunn) (8 pages).

Notice of Allowance entered by the U.S. Patent and Trademark Office on Apr. 2, 2012 for U.S. Appl. No. 29/411,297, filed Jan. 19, 2012 (First Named Inventor—Dunn) (7 pages).

* cited by examiner

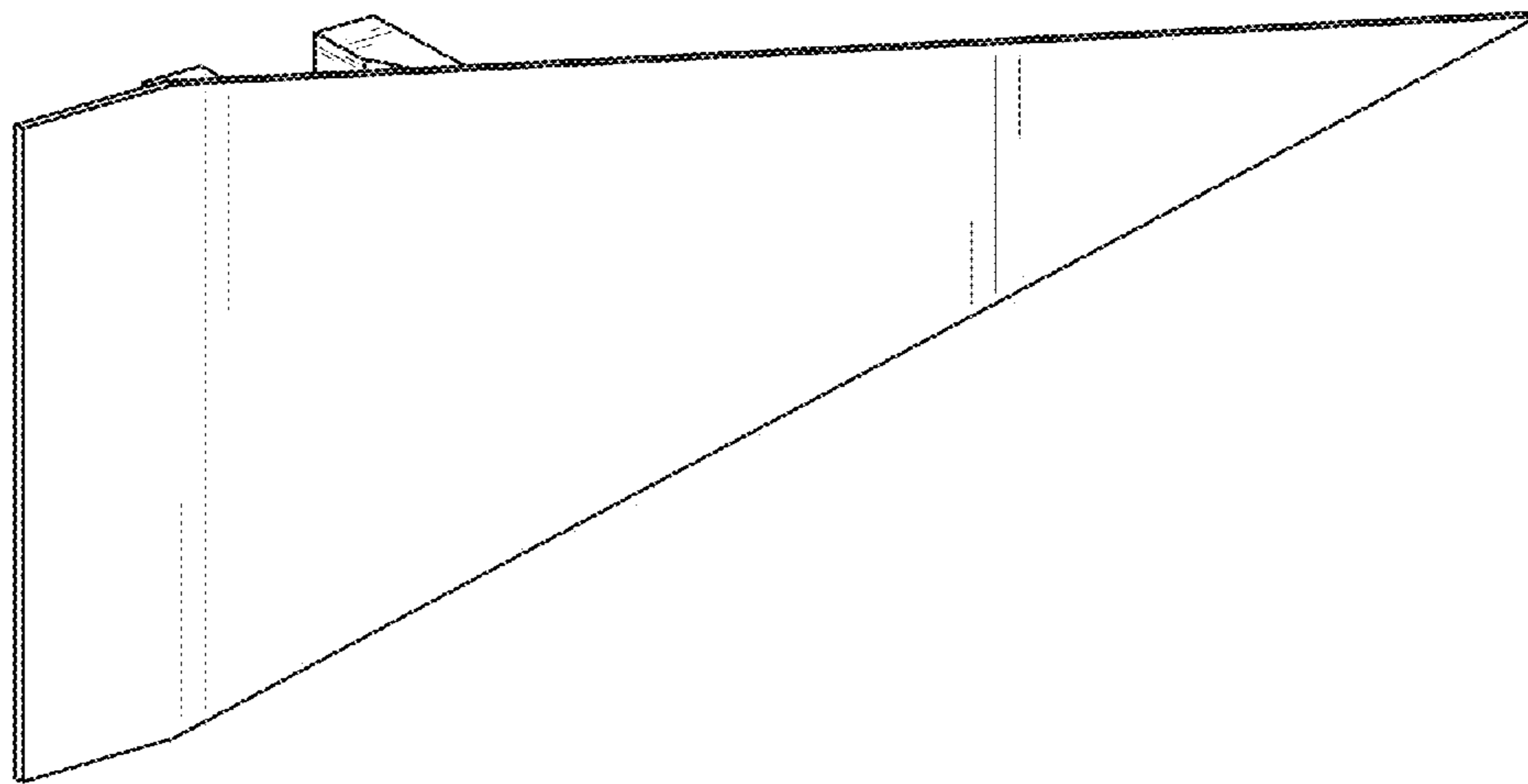


FIG. 1

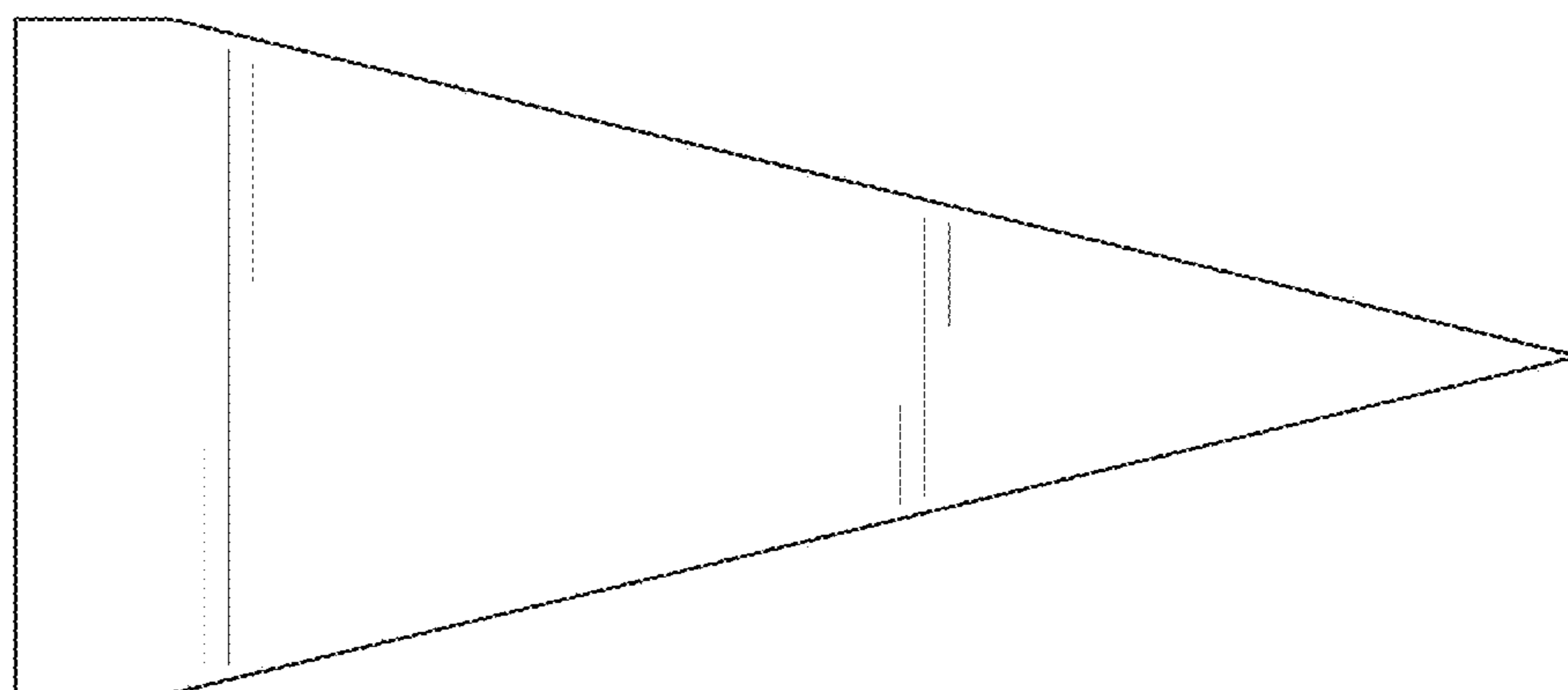


FIG. 2

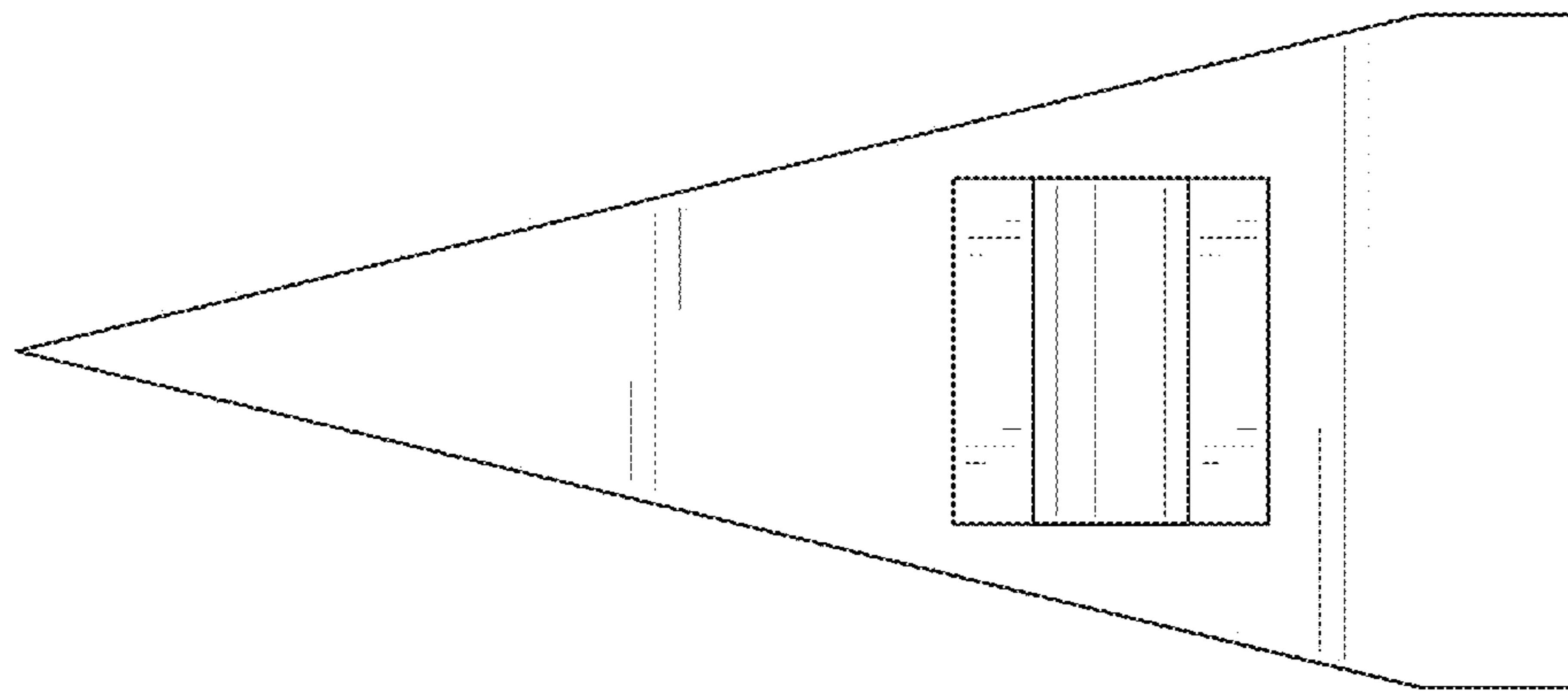


FIG. 3

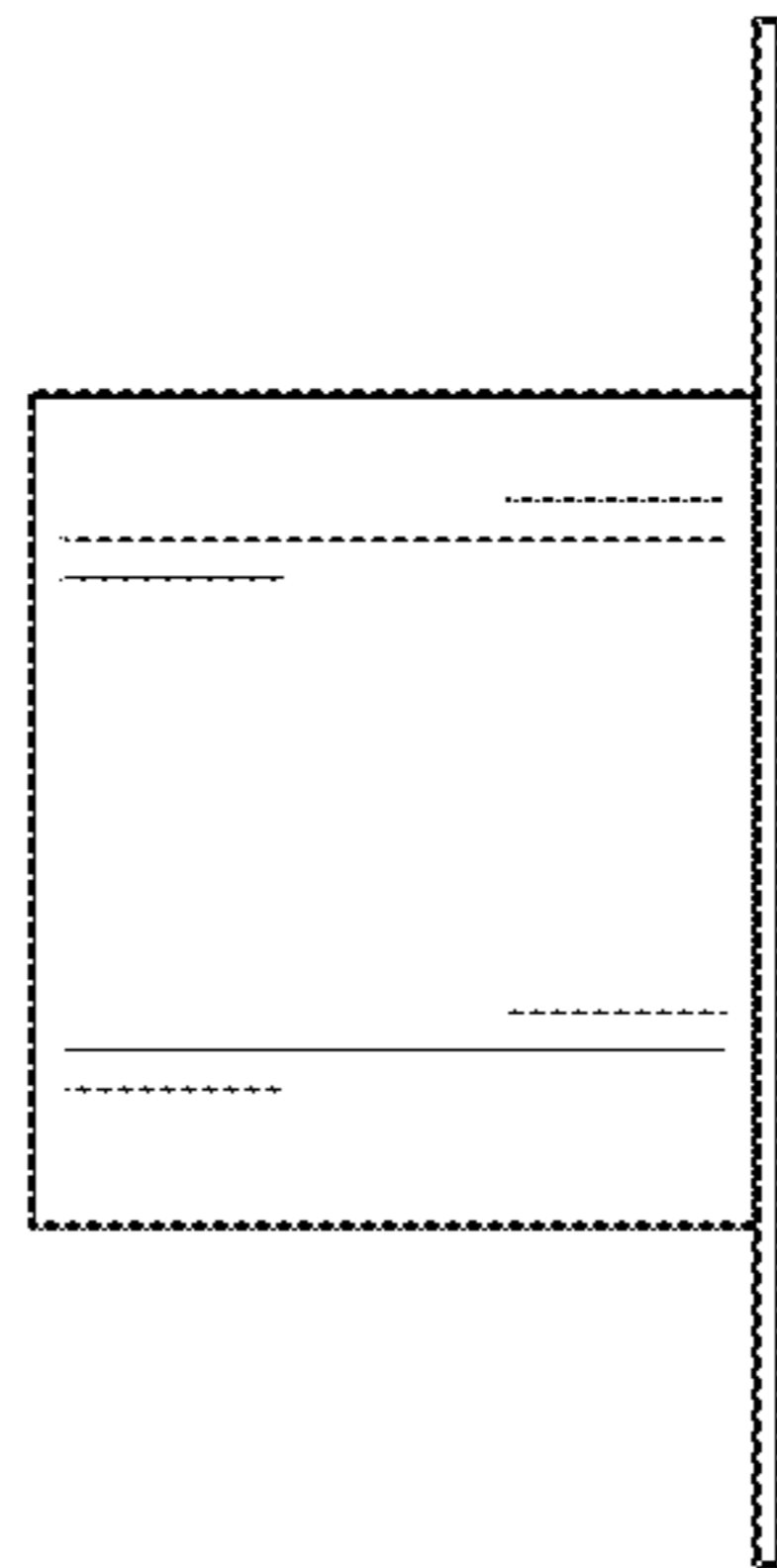


FIG. 4

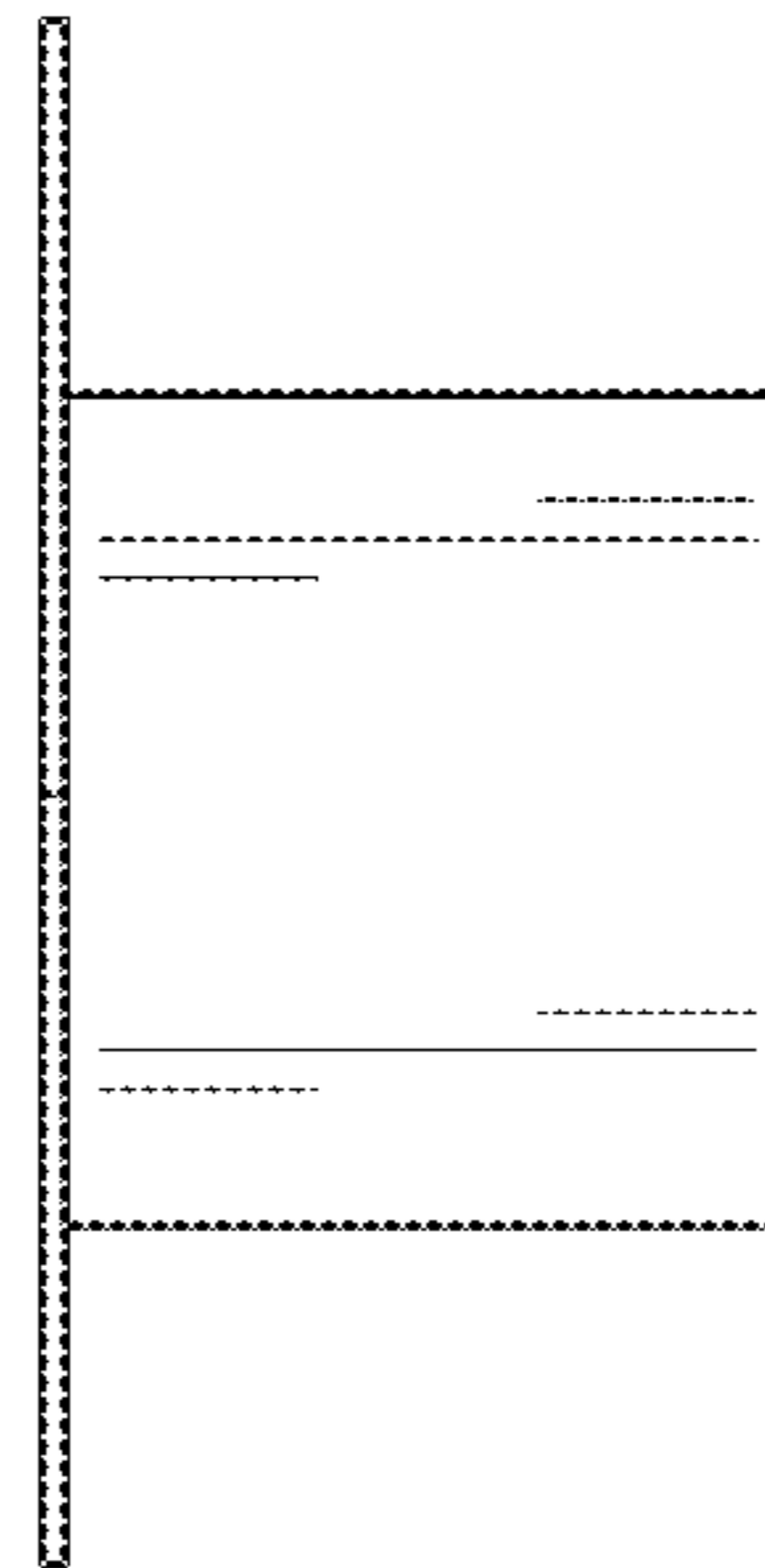


FIG. 5

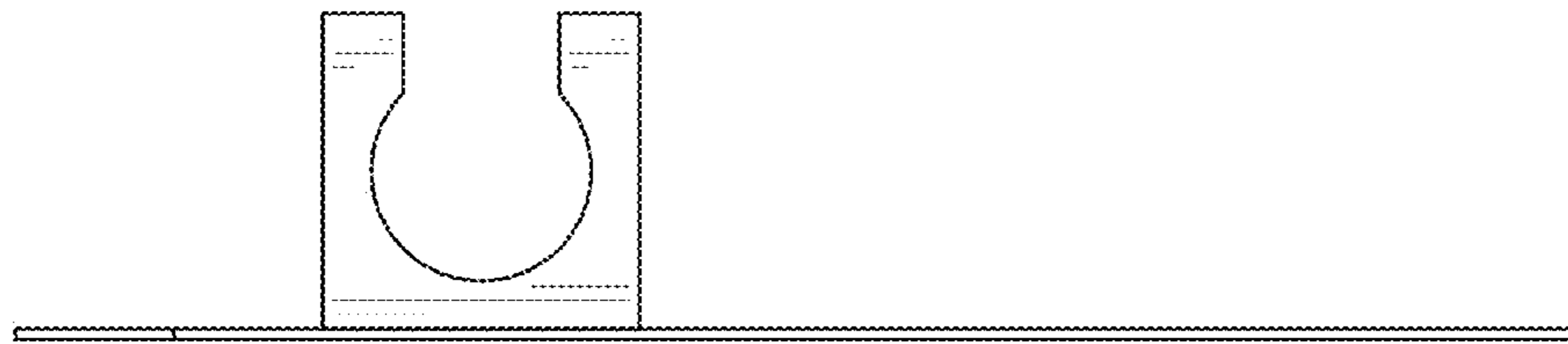


FIG. 6

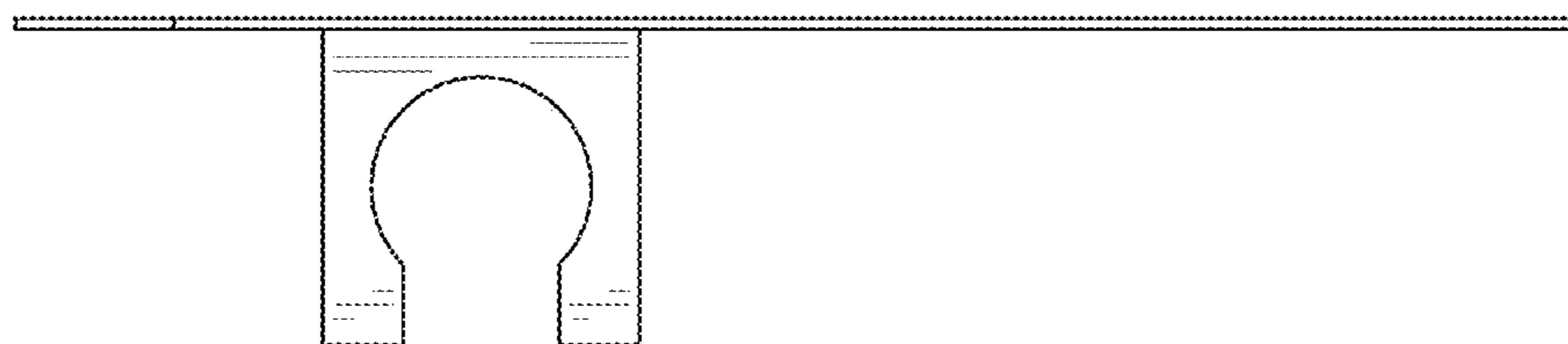


FIG. 7

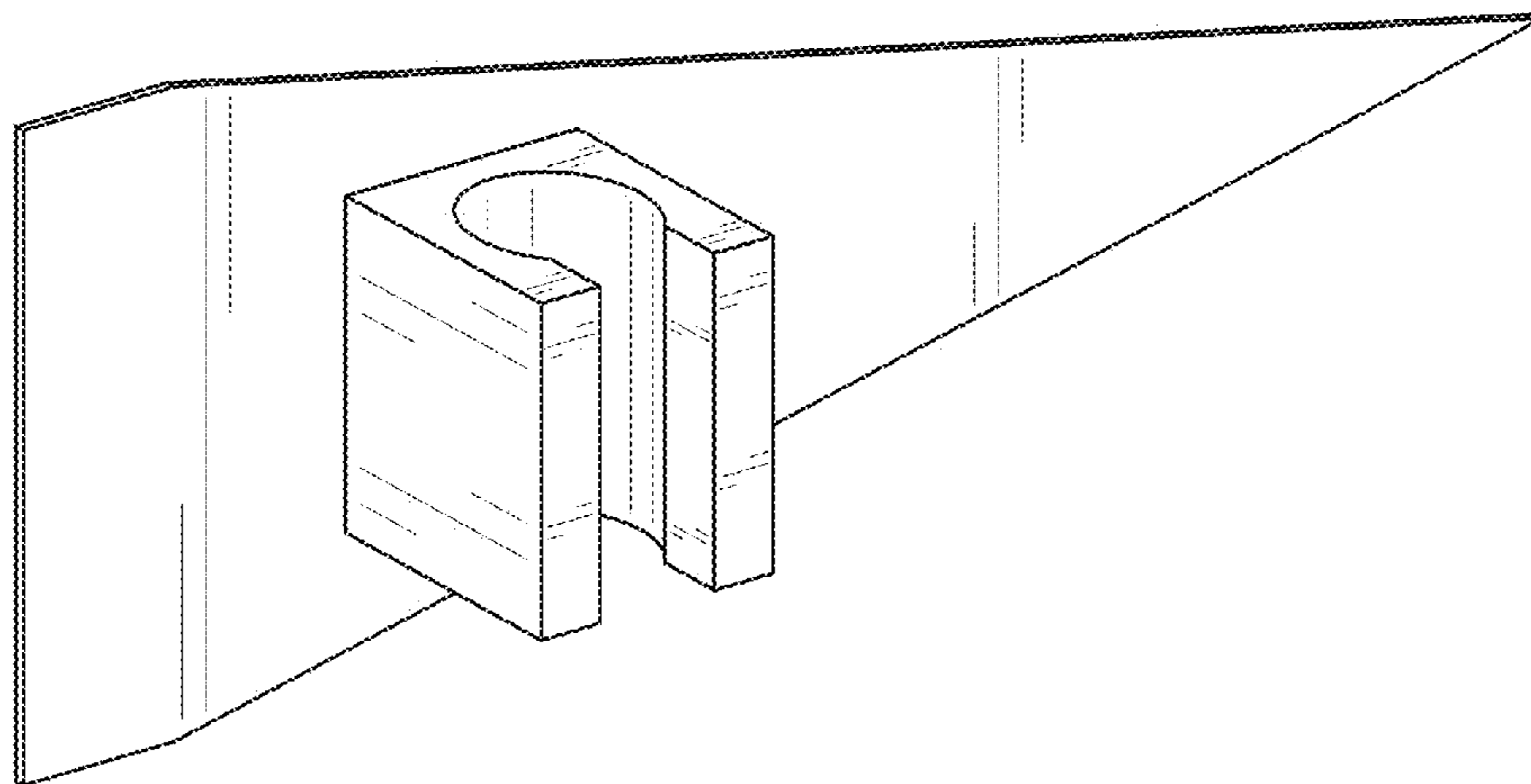


FIG. 8