



US00D668992S

(12) **United States Design Patent**
Sussman et al.

(10) **Patent No.:** **US D668,992 S**

(45) **Date of Patent:** **** Oct. 16, 2012**

(54) **RIBBON FLAG**

(76) Inventors: **Madelyn Sussman**, Hoosick Falls, NY (US); **Barbara Sussman**, Hoosick Falls, NY (US)

(**) Term: **14 Years**

(21) Appl. No.: **29/411,189**

(22) Filed: **Jan. 18, 2012**

(51) **LOC (9) Cl.** **11-05**

(52) **U.S. Cl.** **D11/166**

(58) **Field of Classification Search** D11/165–184;
D20/16, 17, 27, 28, 41–43; 40/218, 584,
40/604, 606.1, 606.15, 607.01, 607.03, 607.05;
116/173–175; 248/200, 218.4, 511, 518–521,
248/534–539

See application file for complete search history.

(56) **References Cited**

U.S. PATENT DOCUMENTS

D55,259	S *	5/1920	Ekman	D12/199
D66,981	S *	4/1925	Perez et al.	D11/168
1,631,227	A *	6/1927	See	248/511
2,965,340	A *	12/1960	Chadowski	248/539
3,794,279	A *	2/1974	Kramer	248/523
D243,201	S *	1/1977	Wrenn	D11/166
5,319,967	A *	6/1994	Rickards, Jr.	73/170.06
D362,411	S *	9/1995	Doyle	D11/166
5,580,026	A *	12/1996	Newcomer	248/523
D421,730	S *	3/2000	Vance	D11/166
6,142,432	A *	11/2000	Amussen	248/205.5
6,192,824	B1 *	2/2001	Chang	116/173

D454,883	S *	3/2002	Graham	D14/489
D469,720	S *	2/2003	Mastrianni	D11/165
6,637,365	B1 *	10/2003	Adamski	116/28 R
6,669,160	B2 *	12/2003	Steinmetz et al.	248/346.01
D488,091	S *	4/2004	Hunsley	D11/181
D496,878	S *	10/2004	Howard et al.	D11/166
6,923,141	B1 *	8/2005	Staats et al.	116/173
7,690,322	B2 *	4/2010	Lanh	116/173
D638,745	S *	5/2011	Nelson et al.	D11/166
D659,050	S *	5/2012	Sussman et al.	D11/166
2005/0076823	A1 *	4/2005	Sanders	116/173
2010/0096520	A1 *	4/2010	Houlihan et al.	248/206.2
2011/0185960	A1 *	8/2011	Priegel	116/173
2011/0197803	A1 *	8/2011	May	116/173

* cited by examiner

Primary Examiner — Karen S Acker

(74) *Attorney, Agent, or Firm* — Millen, White, Zelano & Branigan, P.C.

(57) **CLAIM**

The ornamental design for a ribbon flag, as shown and described.

DESCRIPTION

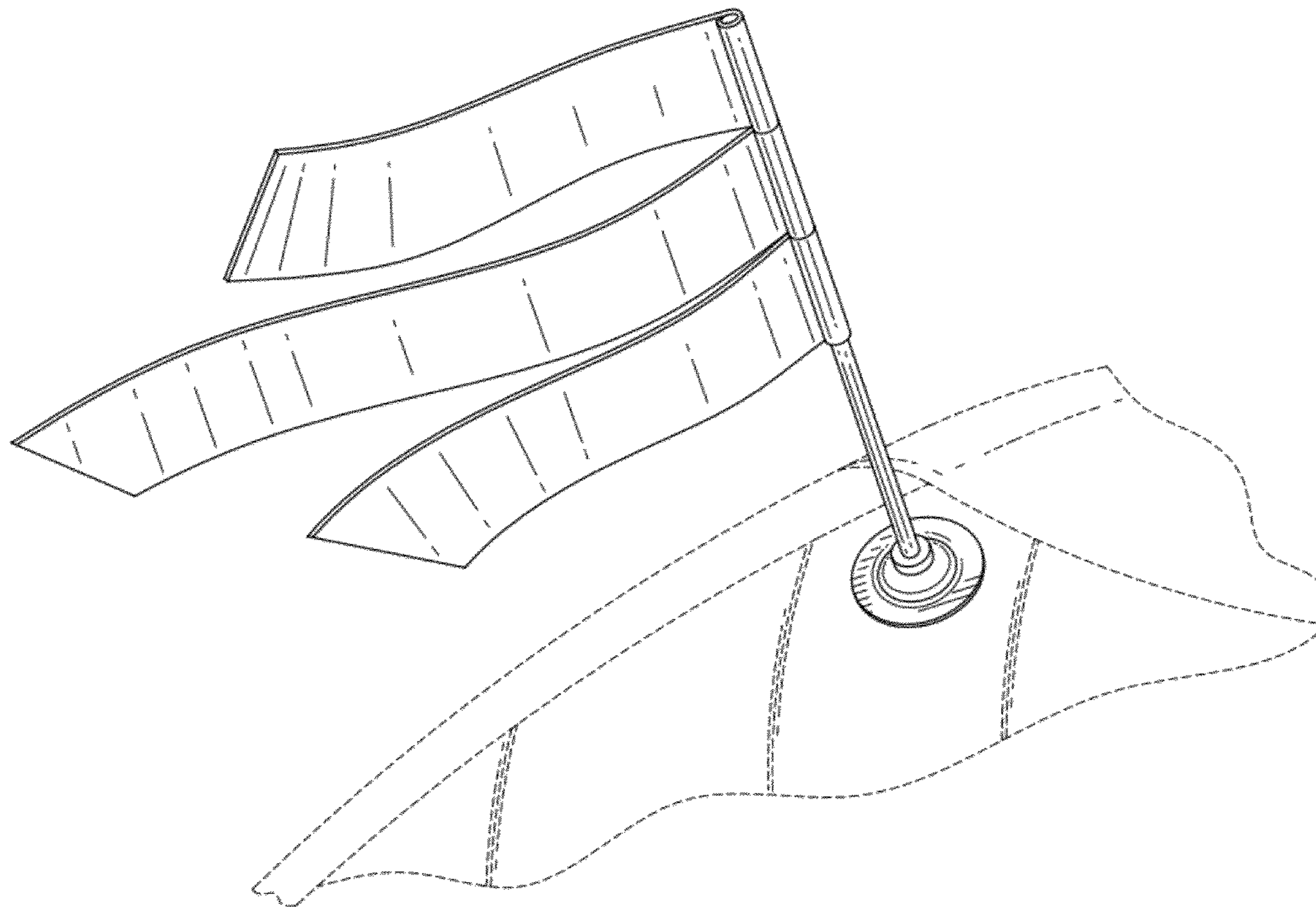
FIG. 1 is a perspective view of a ribbon flag shown in an environment of use.

FIG. 2 is a perspective view of the ribbon flag shown in a second environment of use; and,

FIG. 3 is a top view of the ribbon flag.

The broken lines in the drawings represent environmental subject matter that forms no part of the claimed design.

1 Claim, 3 Drawing Sheets



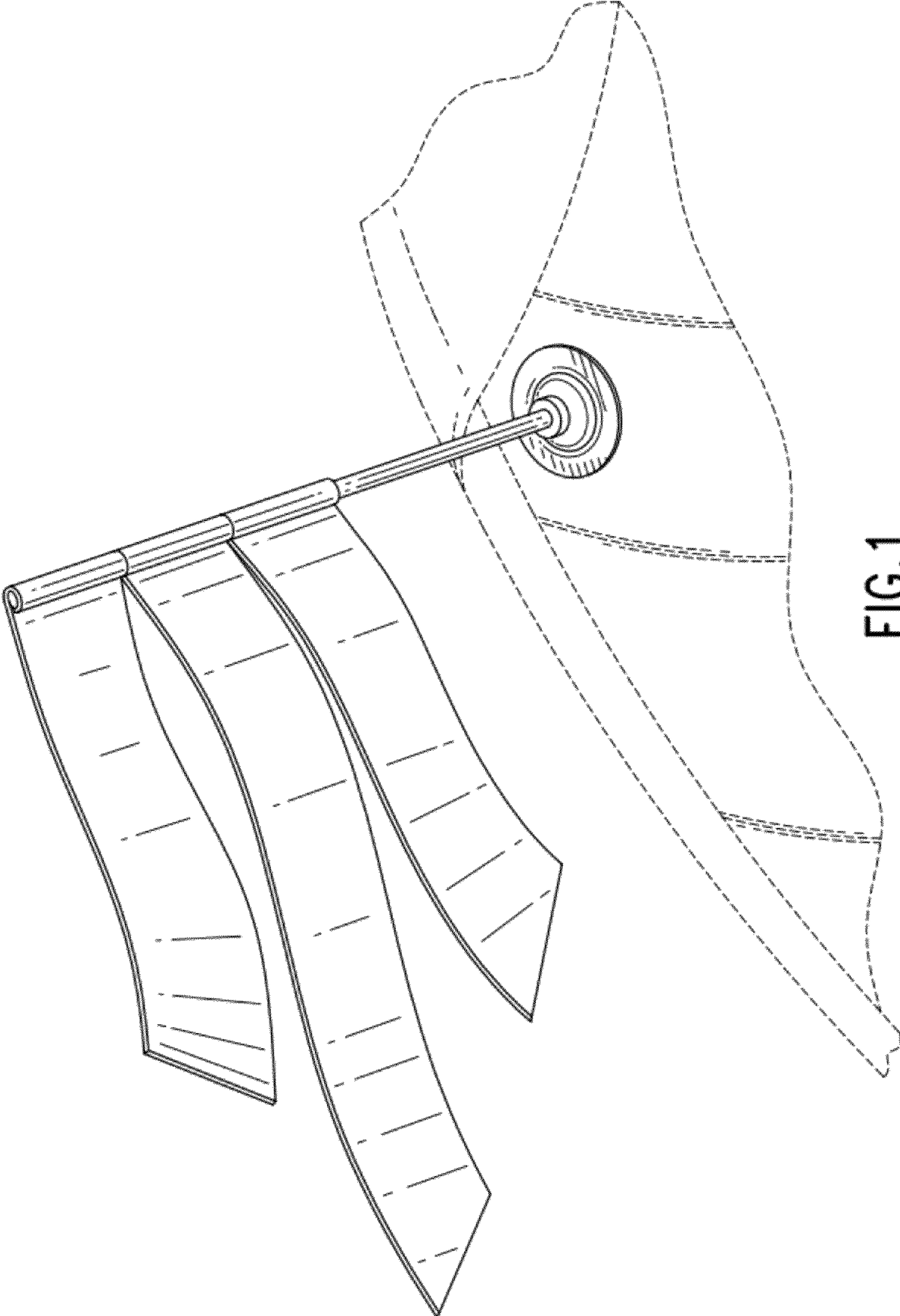


FIG. 1

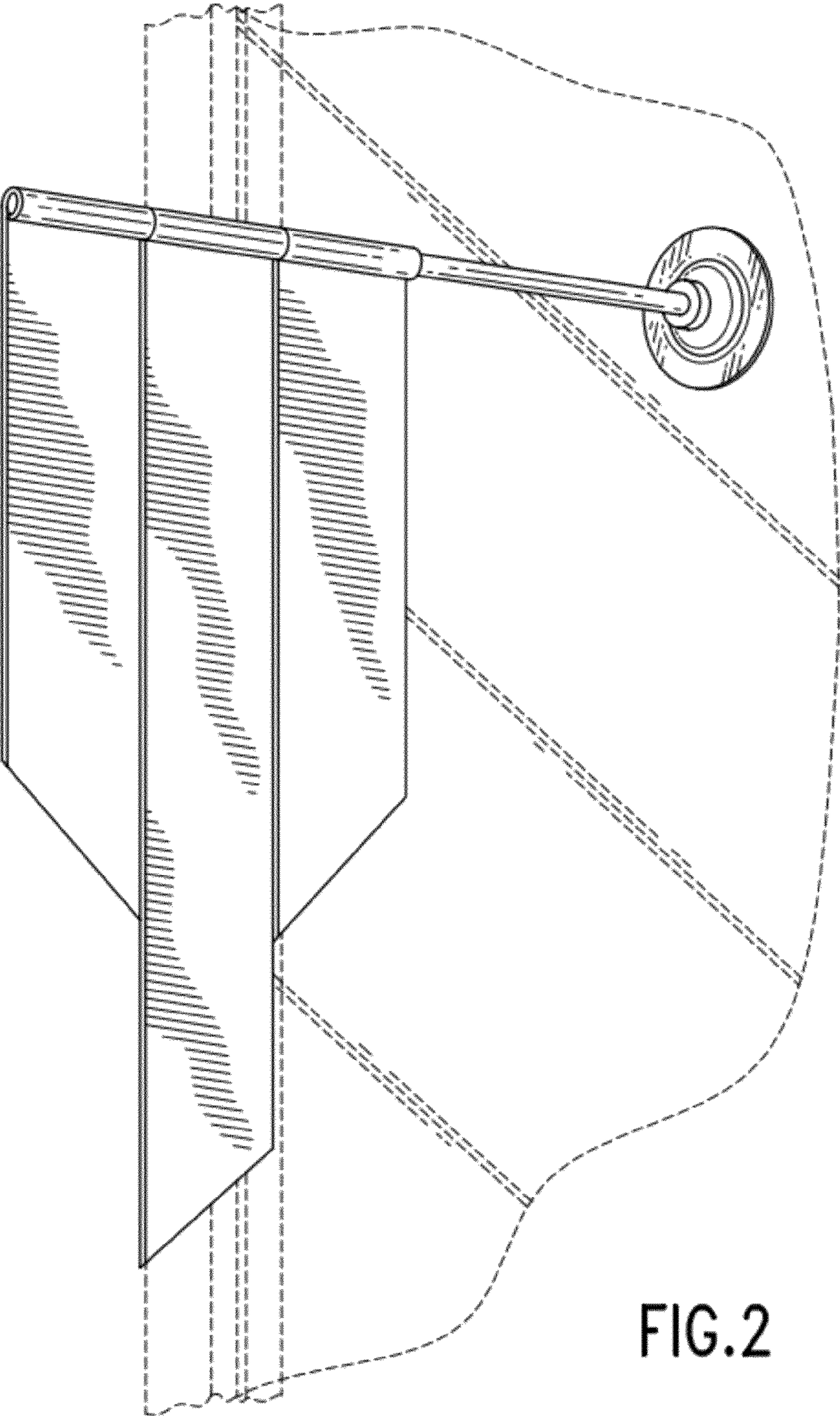


FIG.2

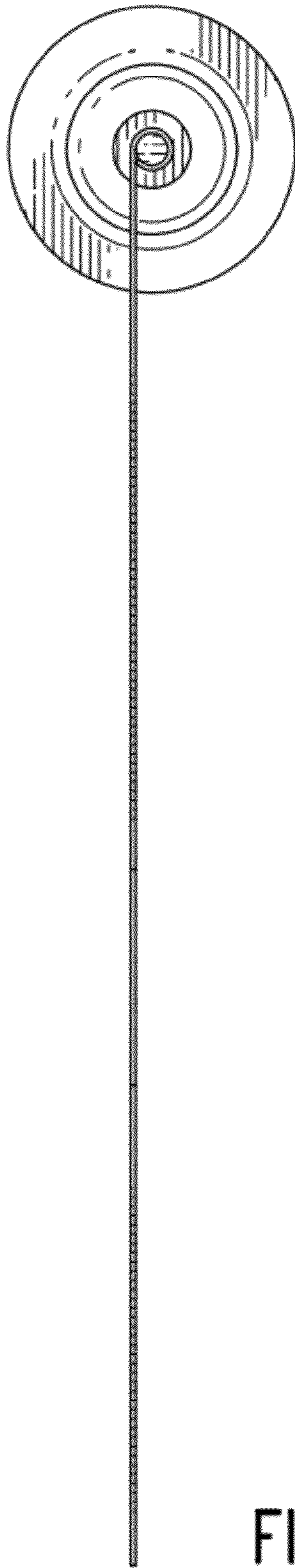


FIG. 3