



US00D668991S

(12) **United States Design Patent**
Sussman et al.

(10) **Patent No.:** **US D668,991 S**
(45) **Date of Patent:** **** Oct. 16, 2012**

(54) **RIBBON FLAG**

(76) Inventors: **Madelyn Sussman**, Hoosick Falls, NY
(US); **Barbara Sussman**, Hoosick Falls,
NY (US)

(**) Term: **14 Years**

(21) Appl. No.: **29/412,979**

(22) Filed: **Feb. 9, 2012**

Related U.S. Application Data

(63) Continuation-in-part of application No. 29/399,089,
filed on Aug. 9, 2011, now Pat. No. Des. 659,050.

(51) **LOC (9) Cl.** **11-05**

(52) **U.S. Cl.** **D11/165**

(58) **Field of Classification Search** D11/165–184;
D20/16, 17, 27, 28, 41–43; 40/218, 584,
40/604, 606.1, 606.15, 607.01, 607.03, 607.05;
116/173–175; 248/200, 218.4, 511, 519,
248/523, 534, 539

See application file for complete search history.

(56) **References Cited**

U.S. PATENT DOCUMENTS

D55,259 S	5/1920	Ekman	
D66,981 S *	4/1925	Perez et al.	D11/168
1,828,892 A	10/1929	Felton	
2,905,140 A *	9/1959	Acklam	116/173
3,016,035 A	10/1959	Asbury	
D207,477 S	4/1967	McLarty	
3,370,369 A	2/1968	Look	
D327,454 S *	6/1992	Garbarino	D11/166
D342,549 S	12/1993	Hofman	
5,319,967 A *	6/1994	Rickards, Jr.	73/170.06
D362,411 S	9/1995	Doyle	
5,639,138 A *	6/1997	Smith	294/142
D421,730 S	3/2000	Vance	
D431,067 S *	9/2000	Hansen	D23/200
D432,945 S	10/2000	Icenhour	
6,192,824 B1 *	2/2001	Chang	116/173
D438,820 S	3/2001	Goulding	

D452,184 S *	12/2001	Schneider	D11/165
D454,883 S *	3/2002	Graham	D14/489
6,446,930 B1	9/2002	Li	
D469,720 S *	2/2003	Mastrianni	D11/165
6,637,365 B1 *	10/2003	Adamski	116/28 R
6,748,896 B2	6/2004	Hunsley	
6,749,473 B1 *	6/2004	Lower	441/89
D495,748 S	9/2004	Leland	
D496,878 S	10/2004	Howard et al.	
6,923,141 B1	8/2005	Staats et al.	
D550,289 S	9/2007	Prokop	
D566,002 S *	4/2008	Fullalove et al.	D11/165
D585,329 S	1/2009	Flanagan et al.	
7,690,322 B2 *	4/2010	Lanh	116/173
D638,745 S	5/2011	Nelson et al.	
8,177,185 B2	5/2012	Priegel	
2005/0076823 A1 *	4/2005	Sanders	116/173
2005/0178312 A1 *	8/2005	Milner et al.	116/173
2010/0064960 A1 *	3/2010	Berndt et al.	116/173
2011/0185960 A1	8/2011	Priegel	
2011/0197803 A1 *	8/2011	May	116/173

* cited by examiner

Primary Examiner — Karen S Acker

(74) *Attorney, Agent, or Firm* — Millen, White, Zelano,
Branigan, P.C.

(57) **CLAIM**

The ornamental design for a ribbon flag, as shown and
described.

DESCRIPTION

FIG. 1 is a perspective view of the ribbon flag shown in an
environment of use.

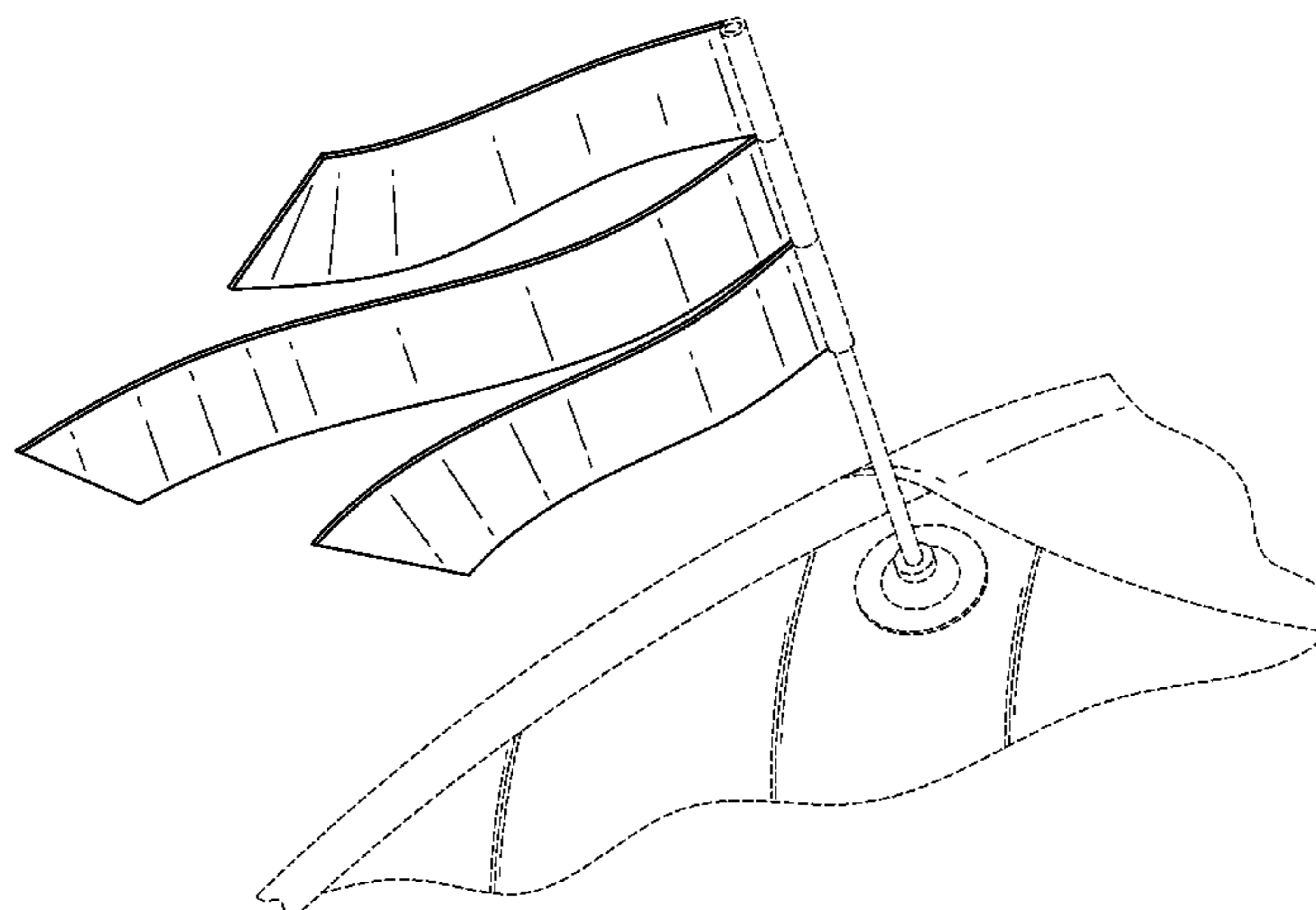
FIG. 2 is a perspective view of the design of FIG. 1 shown in
a second environment of use.

FIG. 3 is a perspective view of the design of FIG. 1 shown in
a third environment of use; and,

FIG. 4 is a perspective view of the design of FIG. 1 shown in
a fourth environment of use.

The broken lines in the drawings represent environmental
subject matter that forms no part of the claimed design.

1 Claim, 4 Drawing Sheets



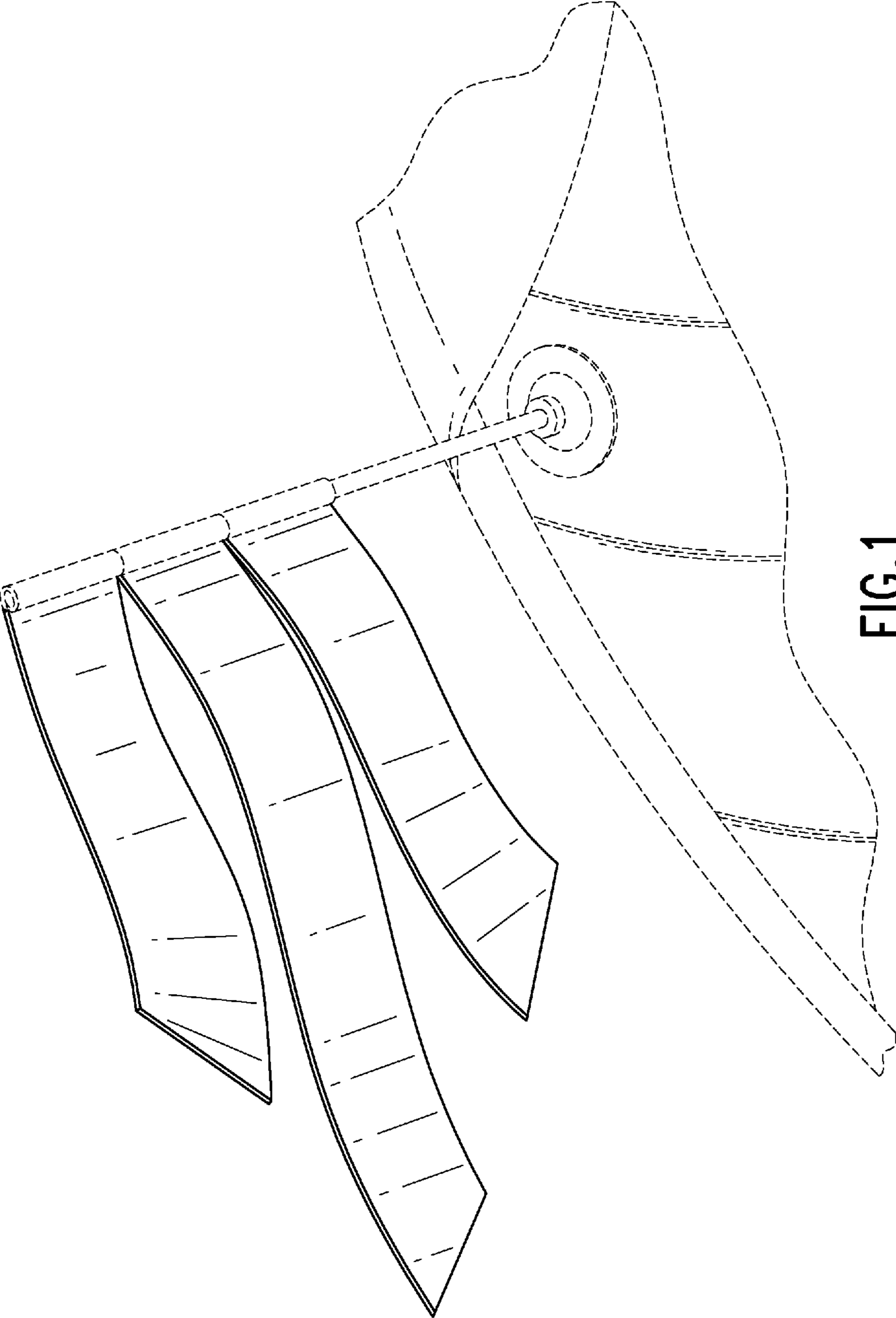


FIG.1

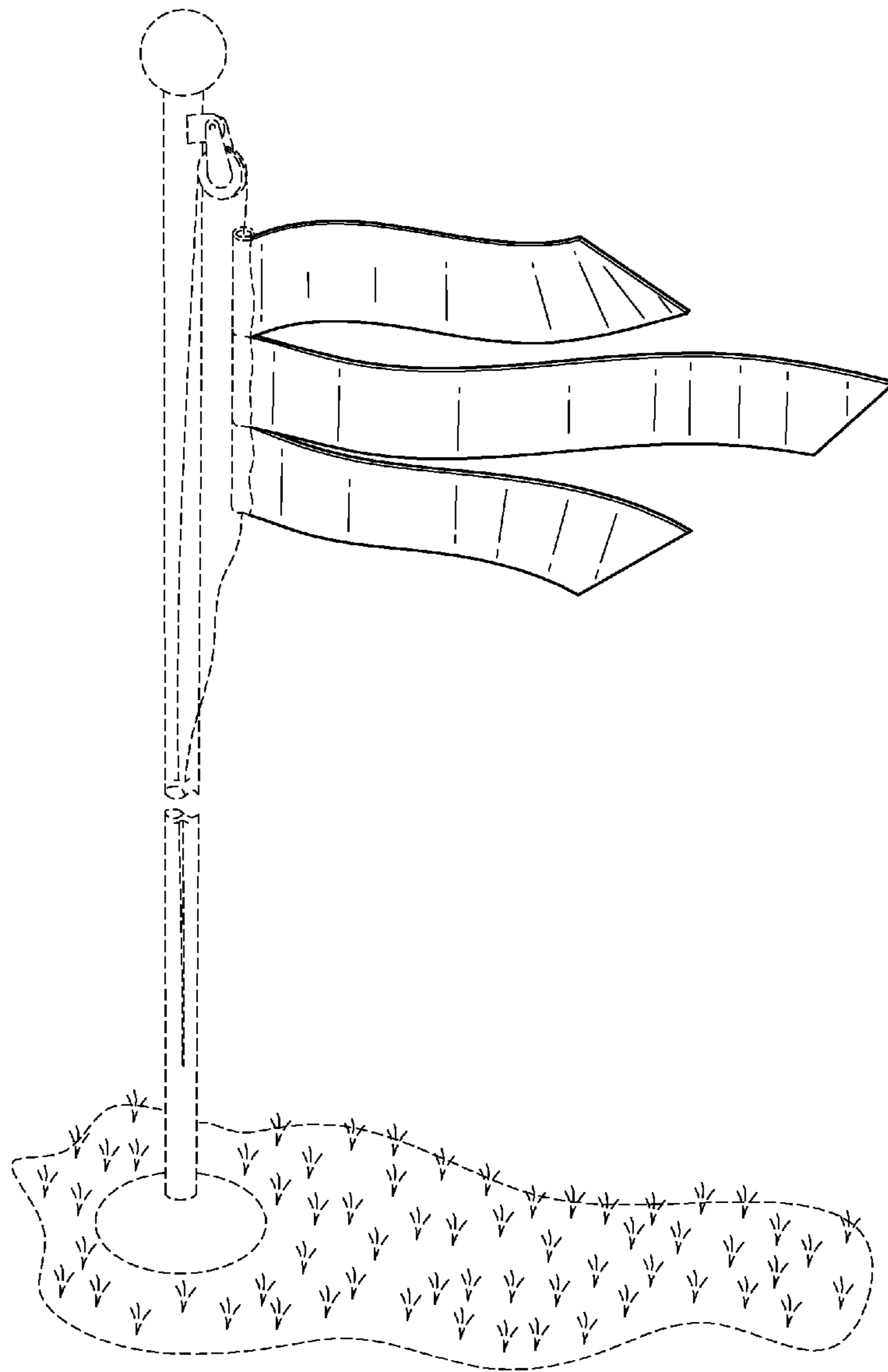


FIG.2

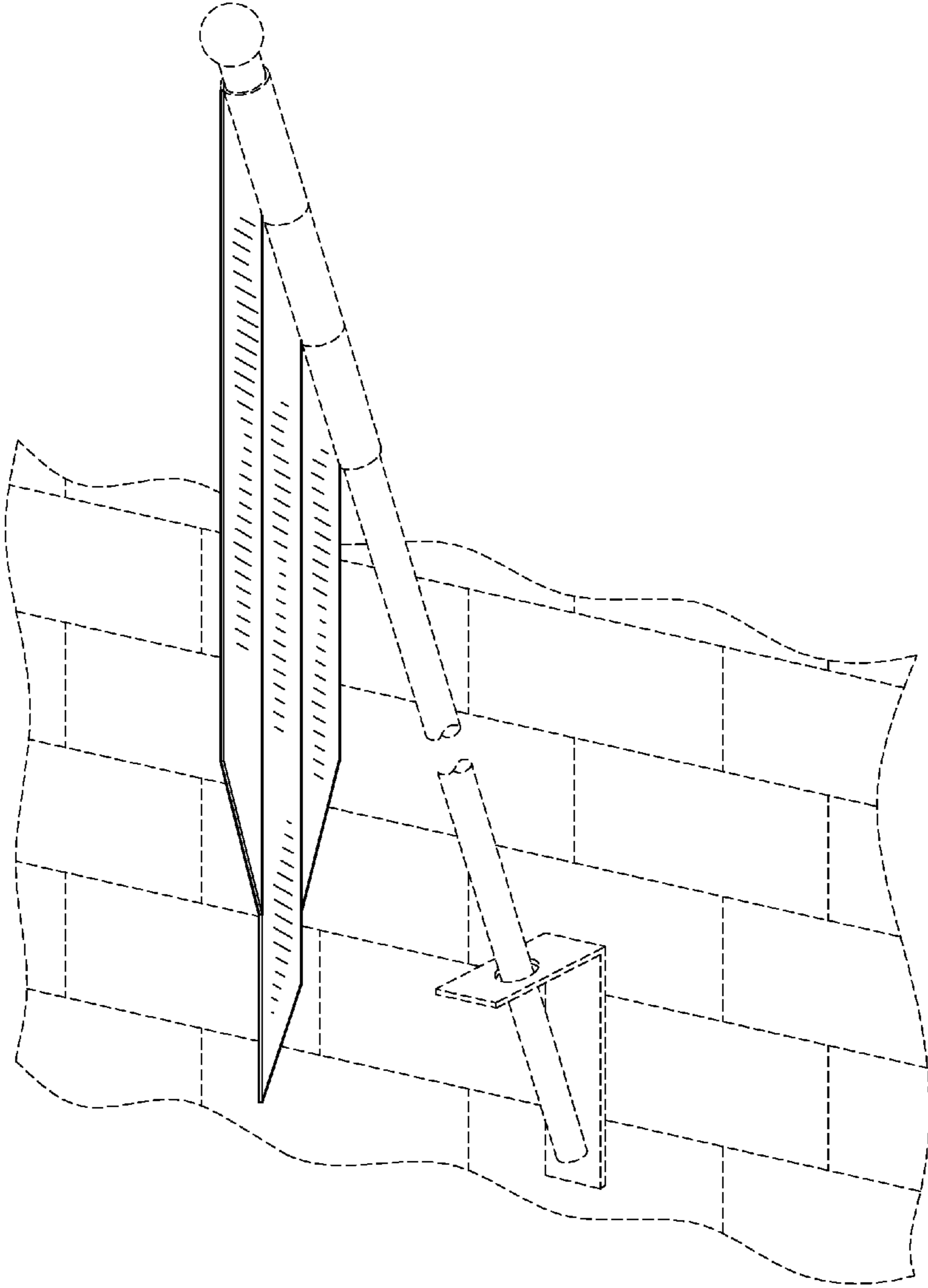


FIG.3

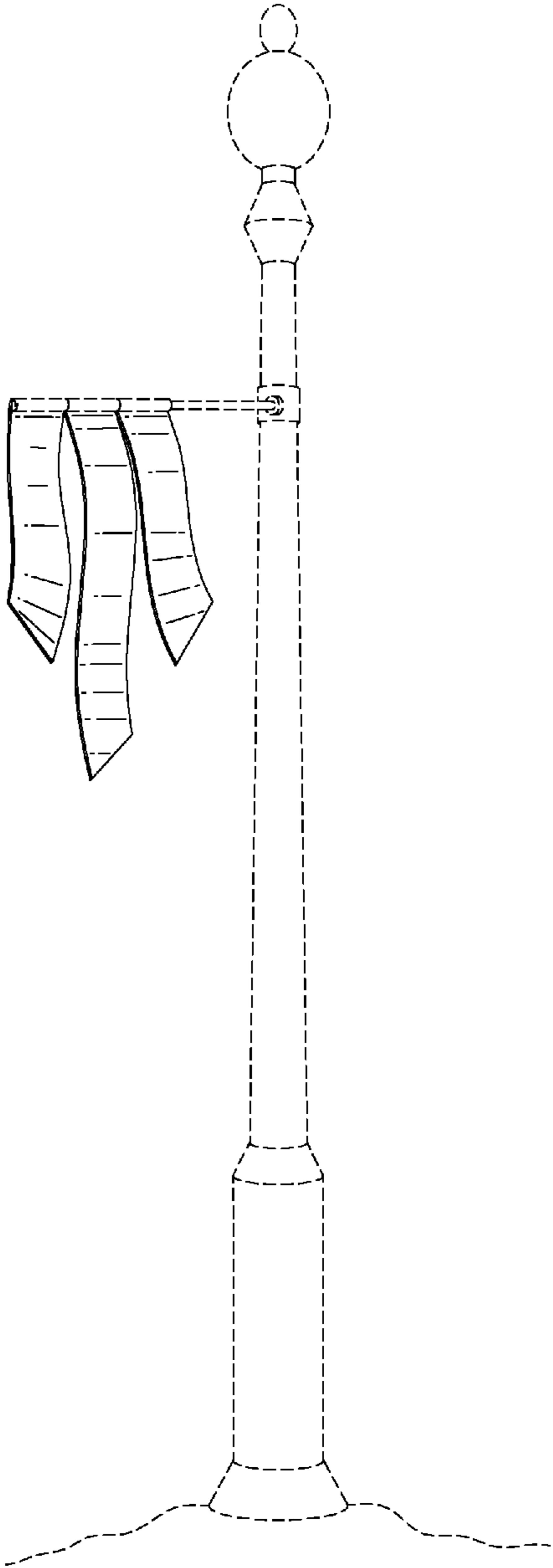


FIG.4