



US00D668988S

(12) **United States Design Patent**
Gustafson et al.

(10) **Patent No.:** **US D668,988 S**
(45) **Date of Patent:** **** Oct. 16, 2012**

(54) **PLANTER**

(75) Inventors: **Kathryn Lynn Gustafson**, Vashon Island, WA (US); **Rodrigo Carlos Abela**, Arlington, VA (US); **Stacy Day Vayanos**, Seattle, WA (US); **Kelly Majewski**, Los Angeles, CA (US)

(73) Assignee: **Gustafson Guthrie Nichol Ltd.**, Seattle, WA (US)

(**) Term: **14 Years**

(21) Appl. No.: **29/411,789**

(22) Filed: **Jan. 26, 2012**

(51) **LOC (9) Cl.** **11-02**

(52) **U.S. Cl.** **D11/143**

(58) **Field of Classification Search** D6/403-405, D6/556-558; D8/1; D11/143-156, 164; D19/77, 80, 81, 84; D25/100; D26/9-11, D26/16, 19; D34/1, 2, 4-6; D99/5, 19; 47/17, 47/32.4, 32.5, 32.7, 33, 39, 41.01, 41.1, 41.11-41.15, 47/44-47, 63, 65.5, 65.9, 66.1, 66.2, 66.6, 47/66.7, 67-71

See application file for complete search history.

(56) **References Cited**

U.S. PATENT DOCUMENTS

D166,094 S * 3/1952 Mecus D11/156
D241,454 S * 9/1976 Craft, III D11/155
D614,992 S * 5/2010 DiPaolo et al. D11/156
D619,924 S * 7/2010 Jean-Pierre D11/156

FOREIGN PATENT DOCUMENTS

GB 2102702 * 4/2002
* cited by examiner

Primary Examiner — Garth Rademaker

(74) *Attorney, Agent, or Firm* — Heslin Rothenberg Farley & Mesiti P.C.

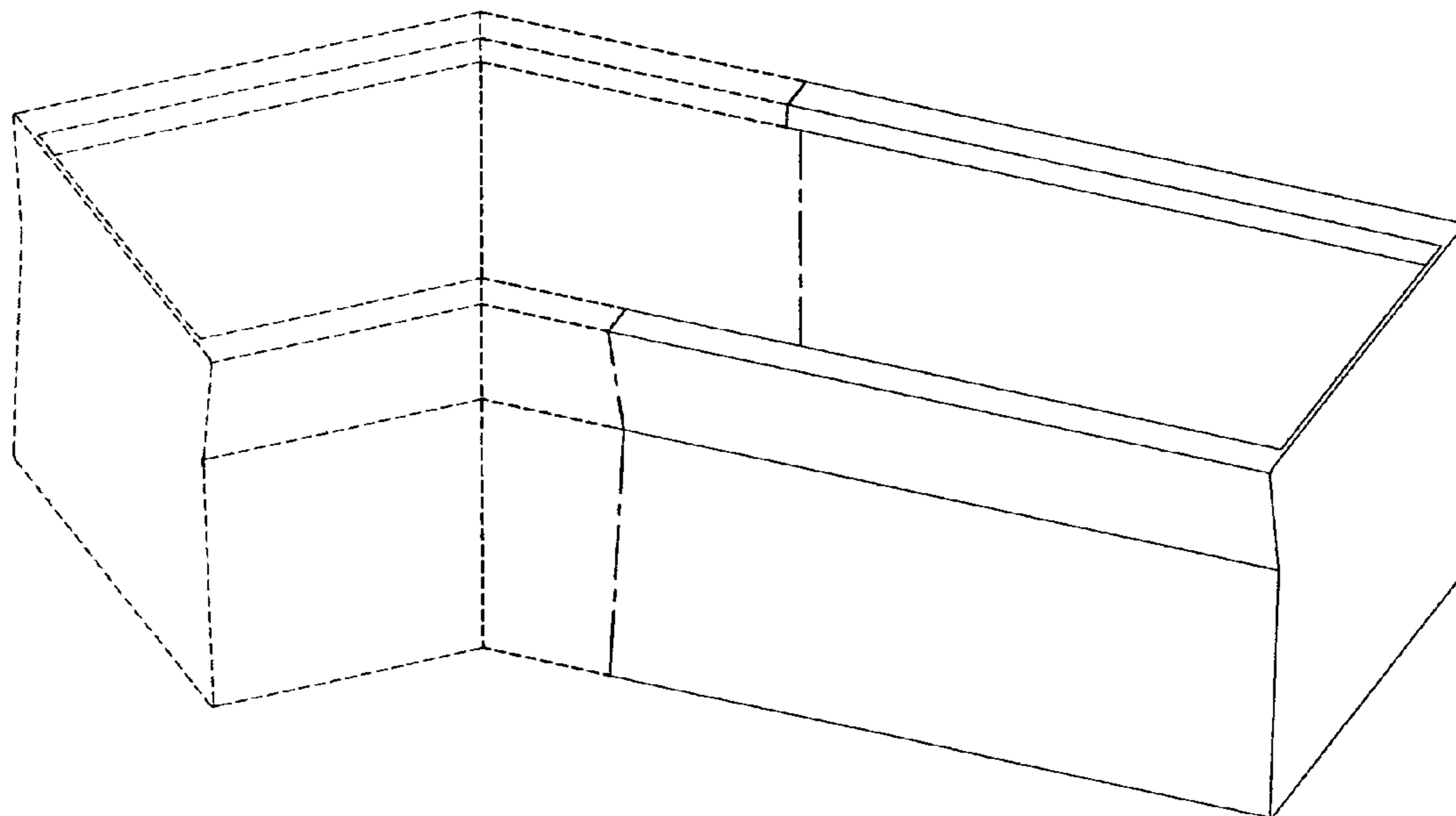
(57) **CLAIM**

The ornamental design for a planter, as shown and described.

DESCRIPTION

FIG. 1 is a perspective view of the planter of the present invention;
FIG. 2 is a right side elevation view thereof;
FIG. 3 is a front elevation view thereof;
FIG. 4 is a top plan view thereof;
FIG. 5 is a rear elevation view thereof; and,
FIG. 6 is a second top plan view thereof shown.
The evenly-spaced broken lines depict environmental subject matter only and the unevenly-spaced broken lines depict the boundaries of the claim. Neither type of broken line forms any part of the claimed design.

1 Claim, 6 Drawing Sheets



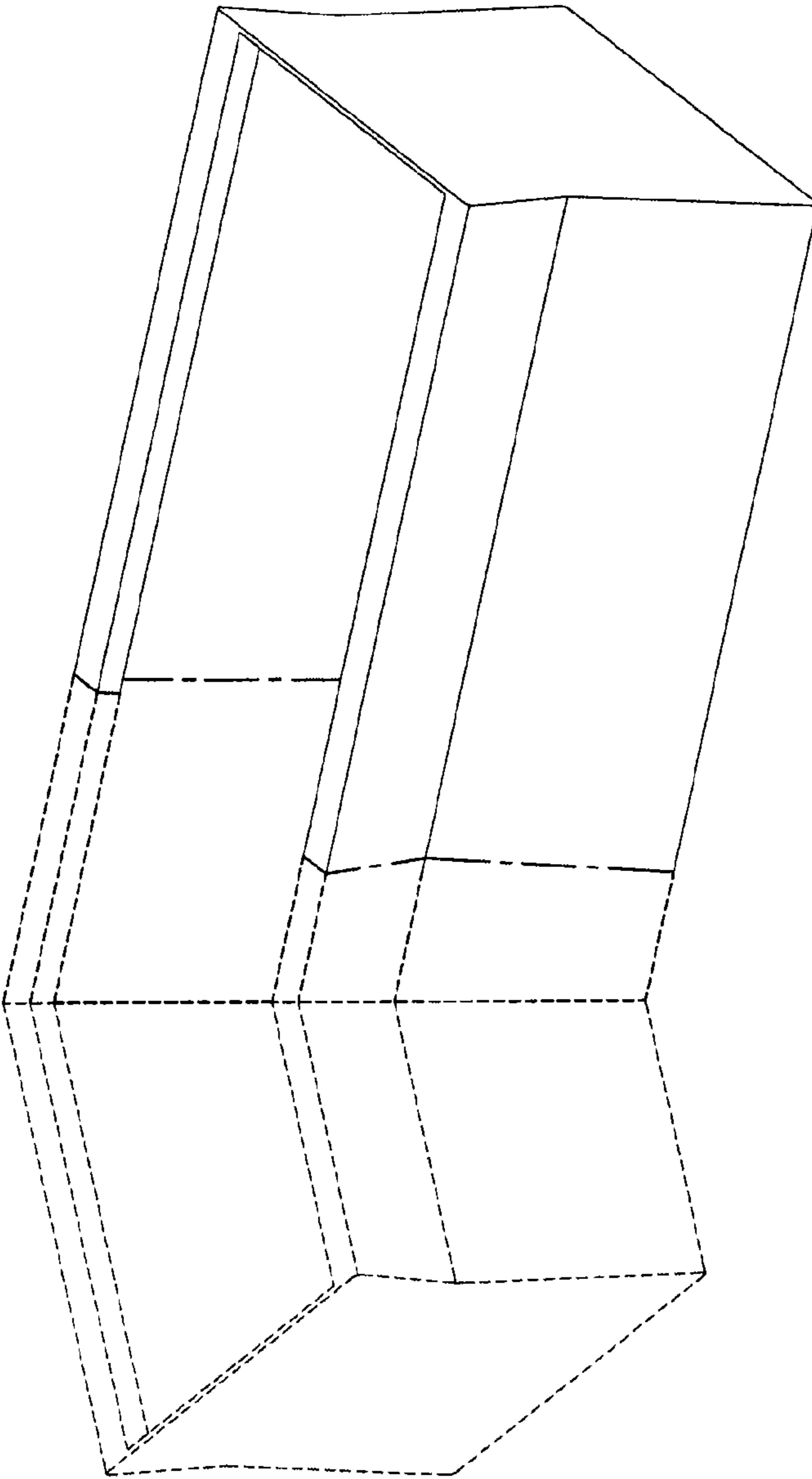


FIGURE 1

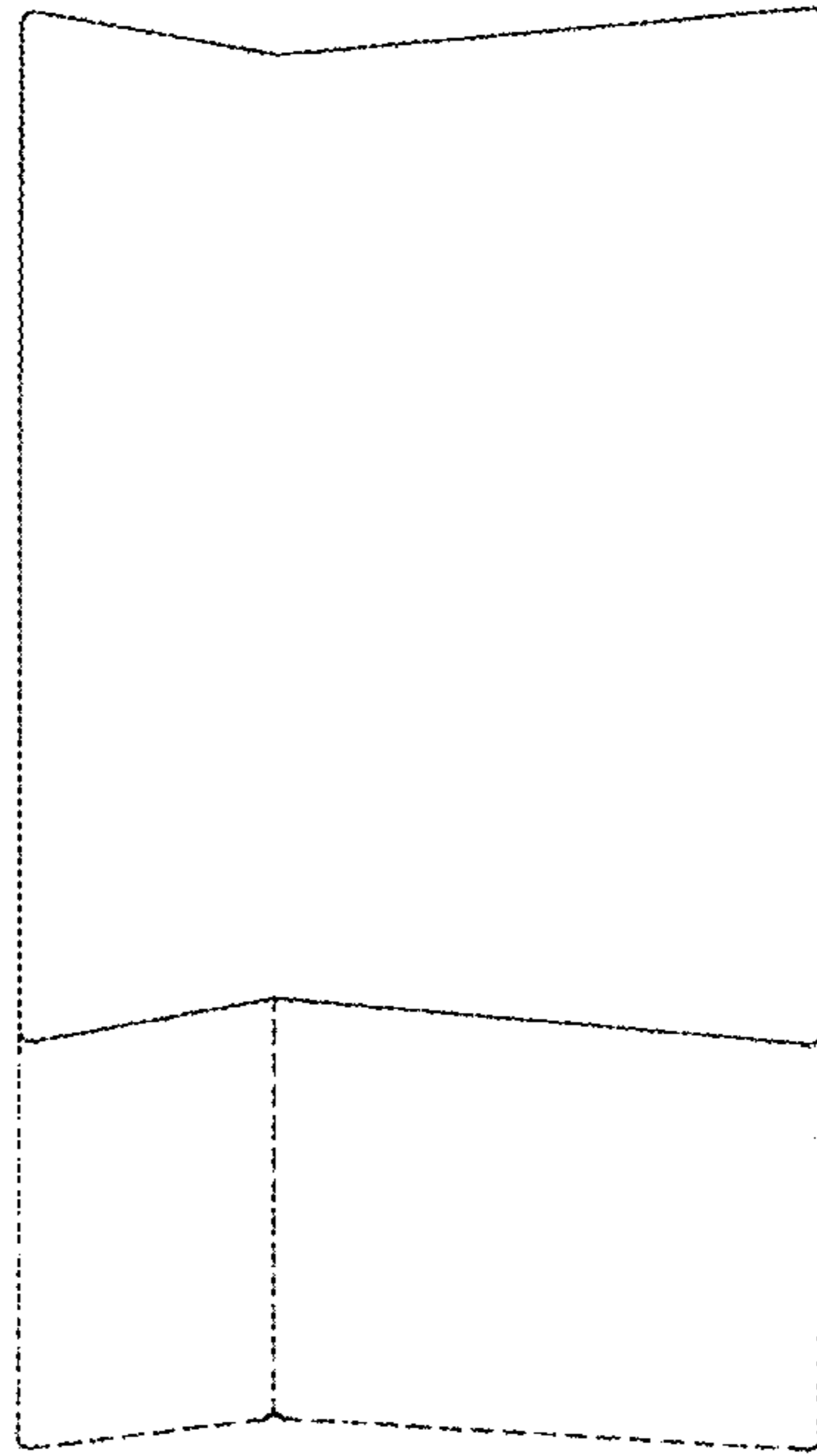


FIGURE 2

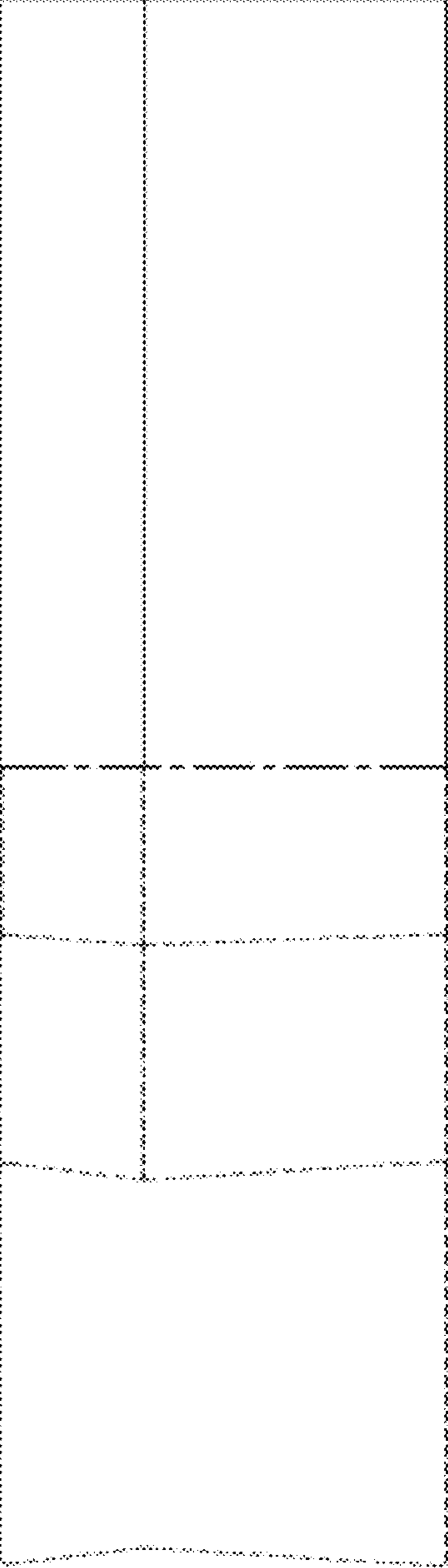


FIGURE 3

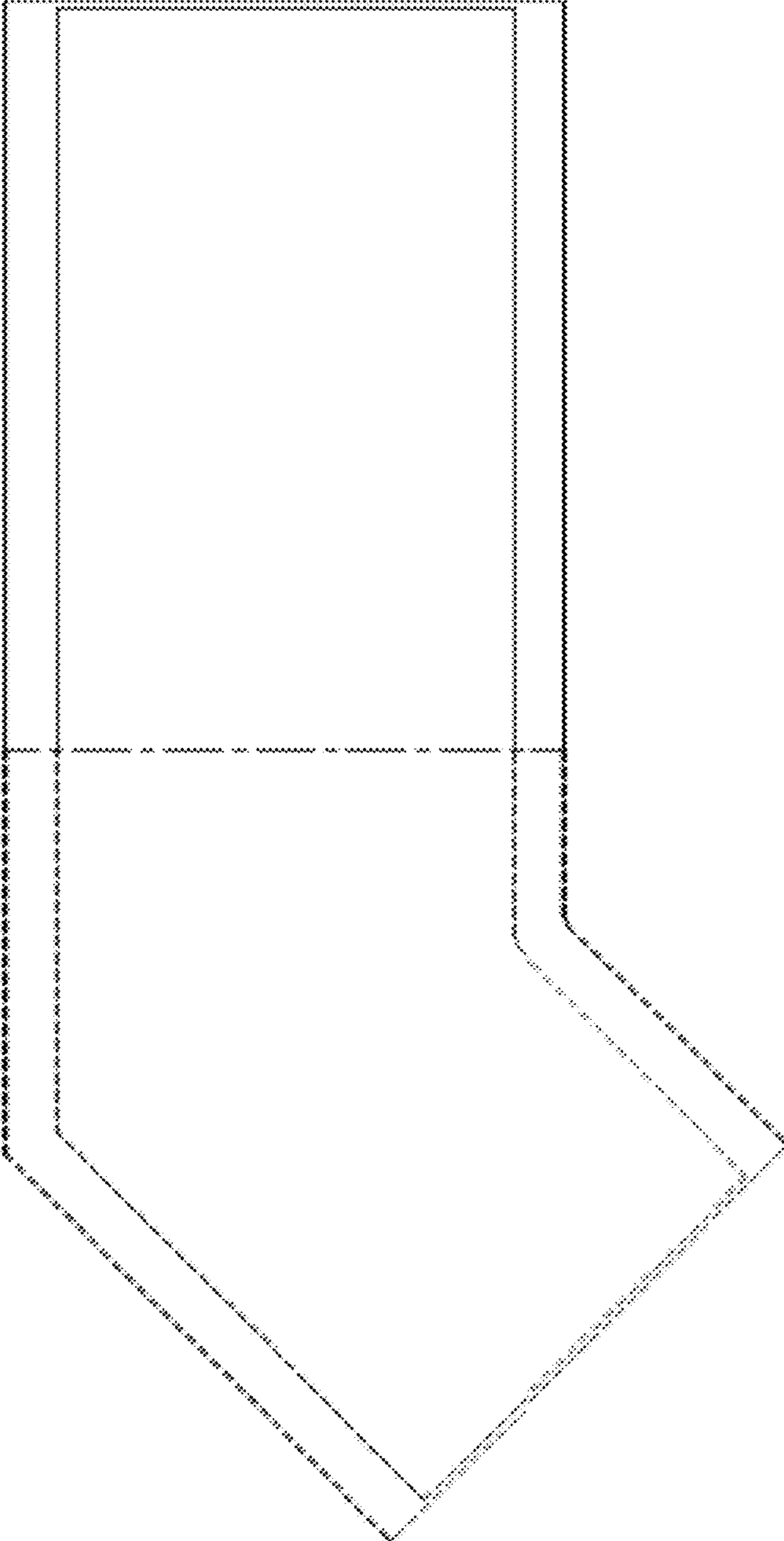


FIGURE 4

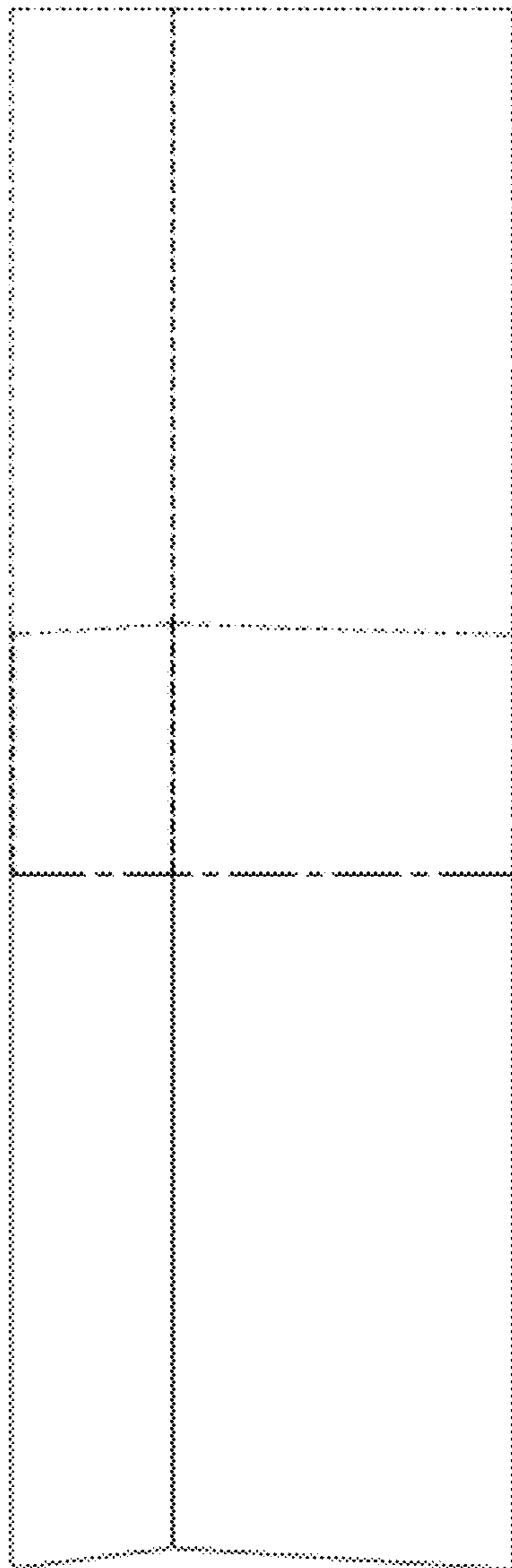


FIGURE 5

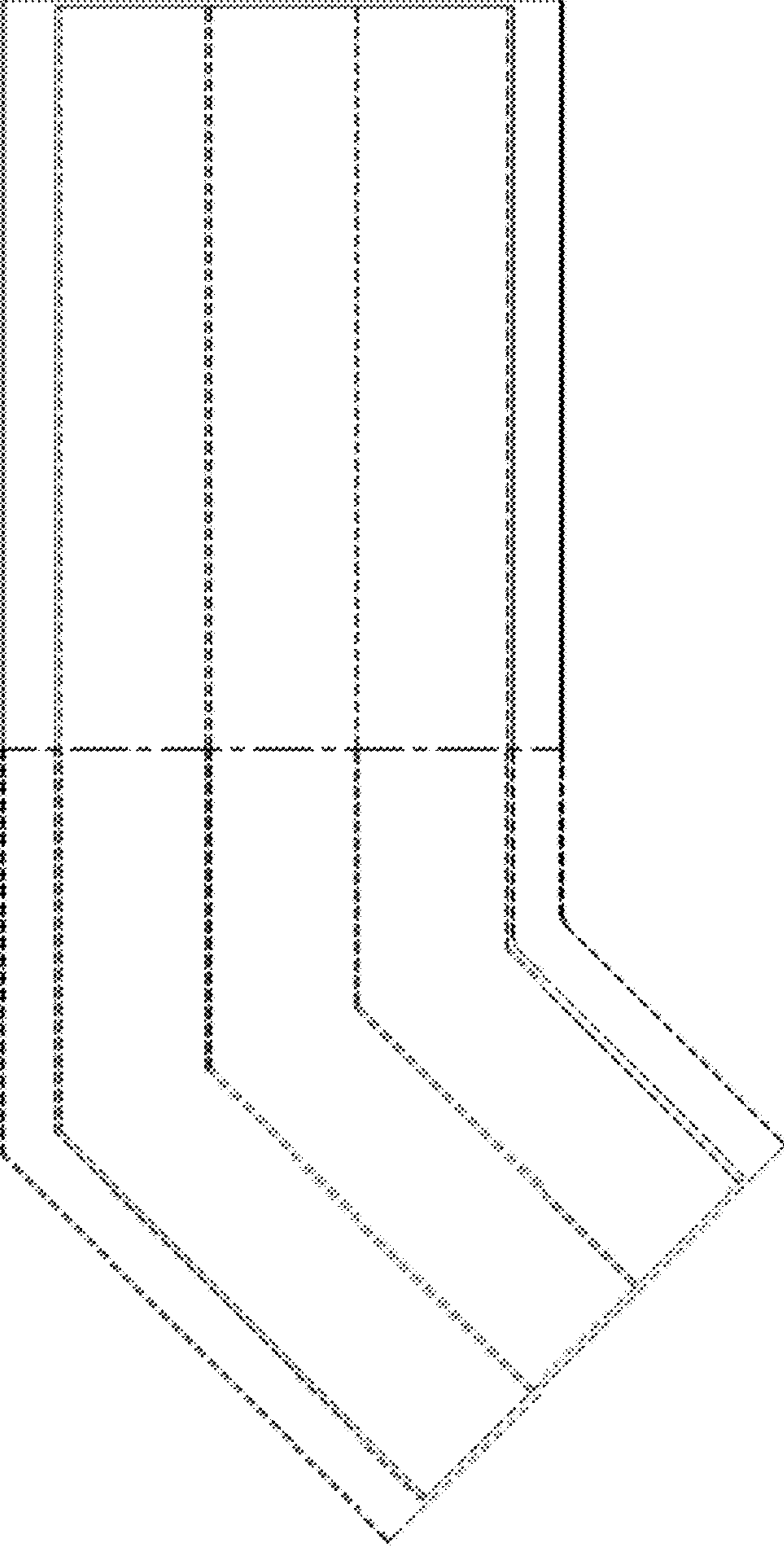


FIGURE 6