



US00D668987S

(12) **United States Design Patent**
Wang

(10) **Patent No.:** **US D668,987 S**
(45) **Date of Patent:** **** Oct. 16, 2012**

- (54) **GENDER AMULET**
 - (76) Inventor: **Roger H. Wang**, Orange, CA (US)
 - (**) Term: **14 Years**
 - (21) Appl. No.: **29/385,168**
 - (22) Filed: **Feb. 9, 2011**
 - (51) **LOC (9) Cl.** **11-01**
 - (52) **U.S. Cl.** **D11/79; D11/96**
 - (58) **Field of Classification Search** D11/1-25,
D11/26-39, 79-85, 96, 99; 63/1.11, 3, 3.1,
63/3.2, 15, 15.1-15.4, 15.45, 15.5, 15.6,
63/12, 13; D3/208-211
- See application file for complete search history.

(56) **References Cited**

U.S. PATENT DOCUMENTS

D101,954 S *	11/1936	Holmes	D11/96
D135,693 S *	5/1943	Smith	D11/96
D220,701 S *	5/1971	Honzik	D11/96
D226,955 S	5/1973	Papavasillou		
D227,295 S	6/1973	Patterson		
D227,395 S *	6/1973	Patterson	D11/86
D227,396 S	6/1973	Patterson		
D235,676 S	7/1975	Pappas		
D238,198 S	12/1975	Fear		
3,977,678 A	8/1976	Hedberg		
D244,516 S	5/1977	Lewis		
D245,239 S	8/1977	Miller		
D246,353 S	11/1977	Elkaim		
D250,580 S *	12/1978	Hart	D11/48
D318,819 S	8/1991	Guyduschek		
D334,725 S	4/1993	White		
D369,571 S	5/1996	Swartz		
D378,503 S	3/1997	Limtanakool		
D401,883 S	12/1998	Madhvani		
D404,680 S	1/1999	Kahn		
D411,965 S	7/1999	Ruegg, Sr.		
D445,987 S *	7/2001	Martinez	D99/26
D467,830 S	12/2002	Kelleghan		

D520,905 S	5/2006	Andrews		
D533,802 S *	12/2006	Thompson et al.	D11/27
D535,210 S *	1/2007	Park	D11/27
D593,430 S	6/2009	Komenaka		
D593,431 S	6/2009	Komenaka		
D595,177 S	6/2009	Strauzer et al.		
D605,545 S	12/2009	Levine		
D619,039 S	7/2010	Sandberg		
D623,979 S	9/2010	Morgen		
D627,255 S	11/2010	Wang		

* cited by examiner

Primary Examiner — Cathron Brooks

Assistant Examiner — Melanie Pellegrini

(74) *Attorney, Agent, or Firm* — QuickPatents, Inc.; Kevin Prince

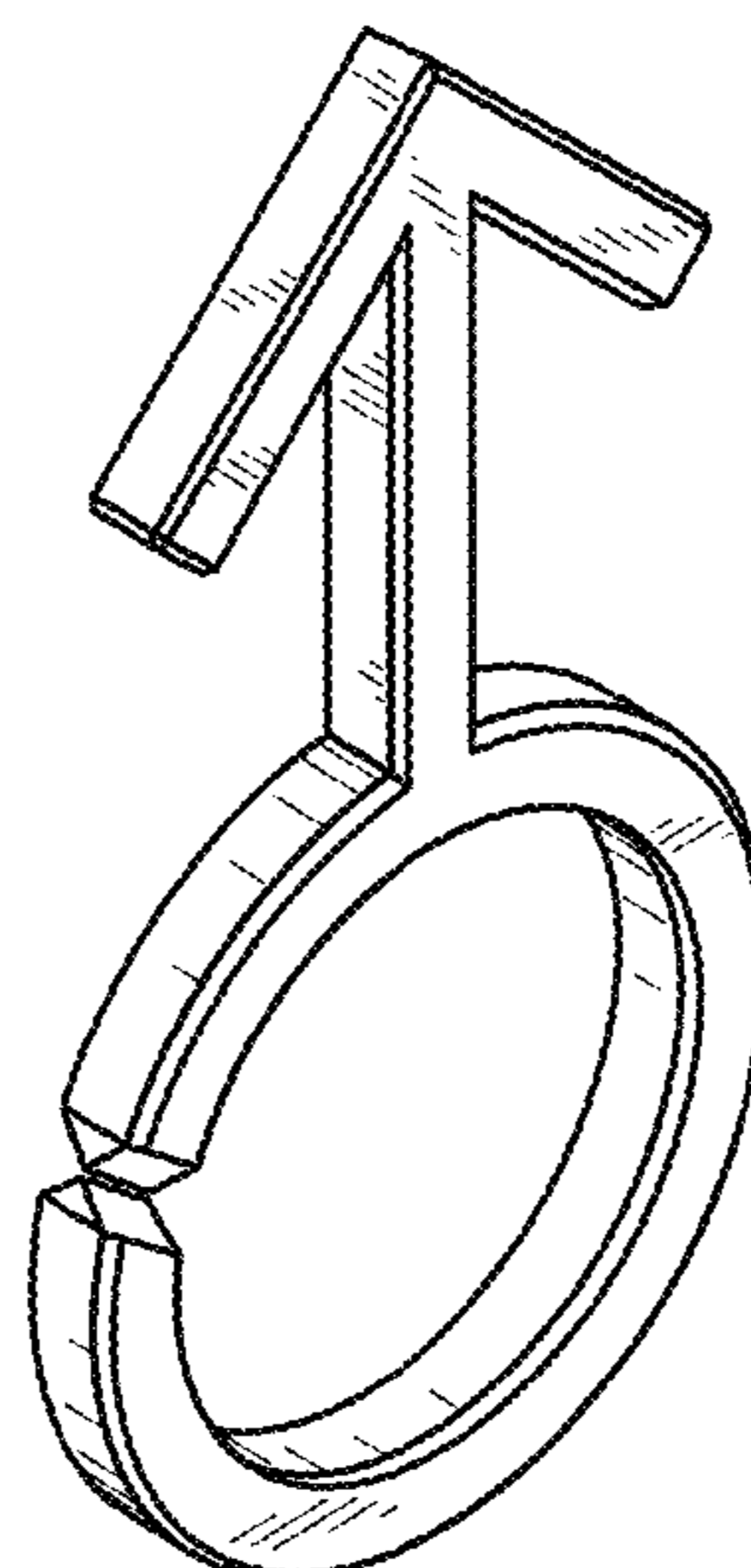
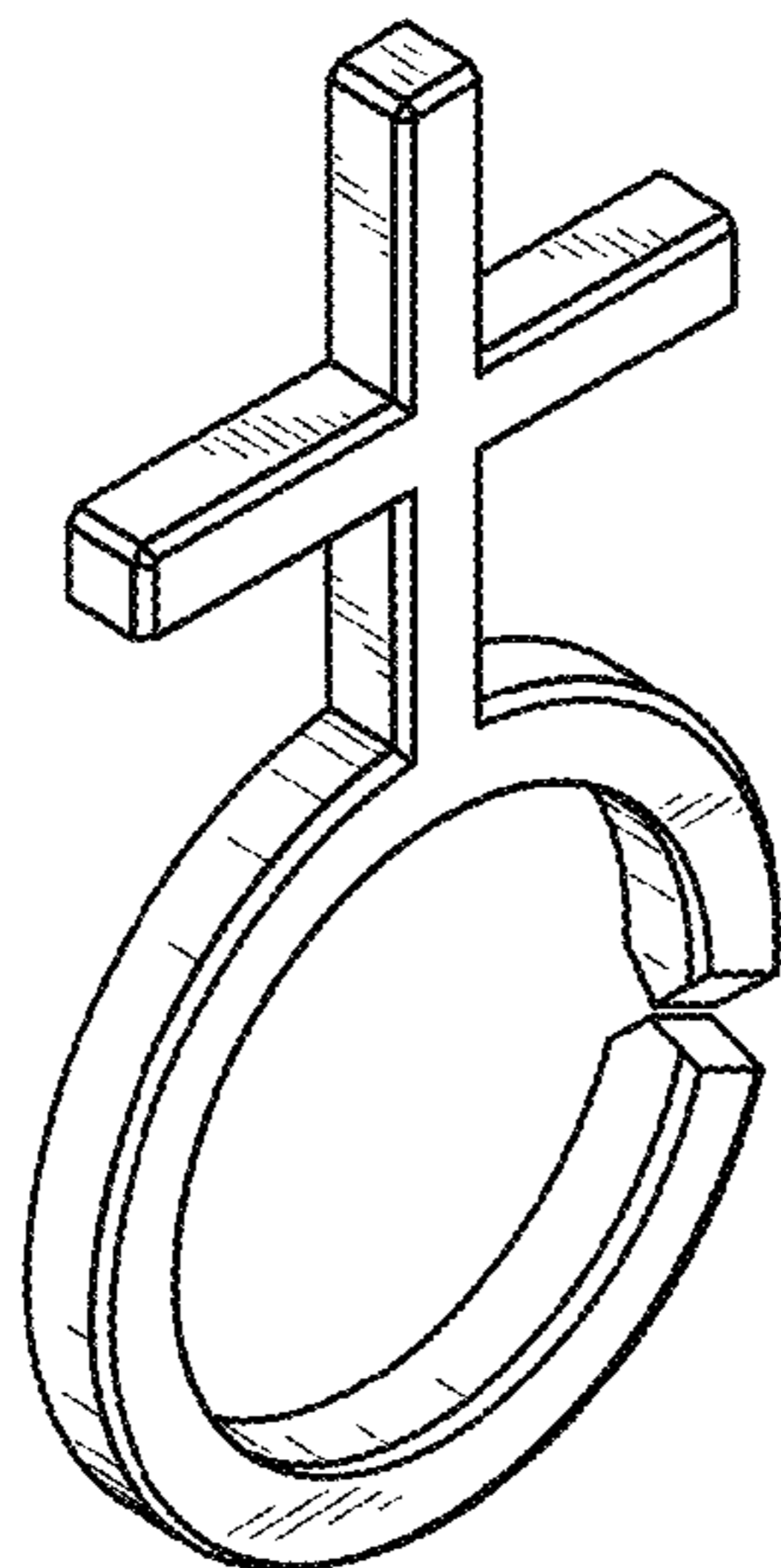
(57) **CLAIM**

The ornamental design for a gender amulet, as shown and described.

DESCRIPTION

FIG. 1 is a perspective view of a gender amulet, showing a female symbol embodiment of the new design;
 FIG. 2 is a front elevational view thereof;
 FIG. 3 is a rear elevational view thereof;
 FIG. 4 is a right-side elevational view thereof;
 FIG. 5 is a left-side elevational view thereof;
 FIG. 6 is a top plan view thereof;
 FIG. 7 is a bottom plan view thereof;
 FIG. 8 is a perspective view thereof, showing a male symbol embodiment;
 FIG. 9 is a front elevational view of FIG. 8;
 FIG. 10 is a rear elevational view of FIG. 8;
 FIG. 11 is a right-side elevational view of FIG. 8;
 FIG. 12 is a left-side elevational view of FIG. 8;
 FIG. 13 is a top plan view of FIG. 8; and,
 FIG. 14 is a bottom plan view of FIG. 8.

1 Claim, 2 Drawing Sheets



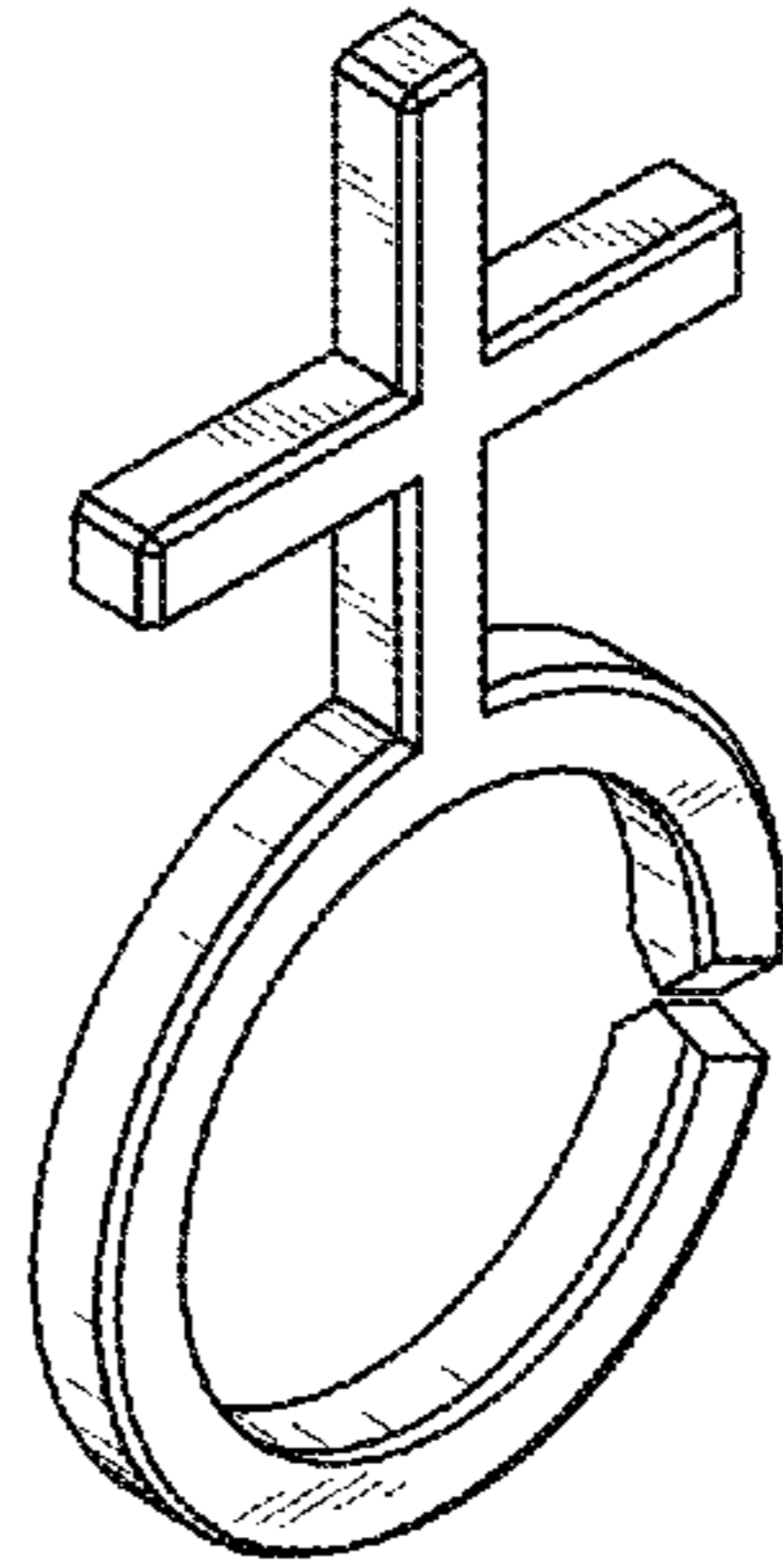


FIG. 1

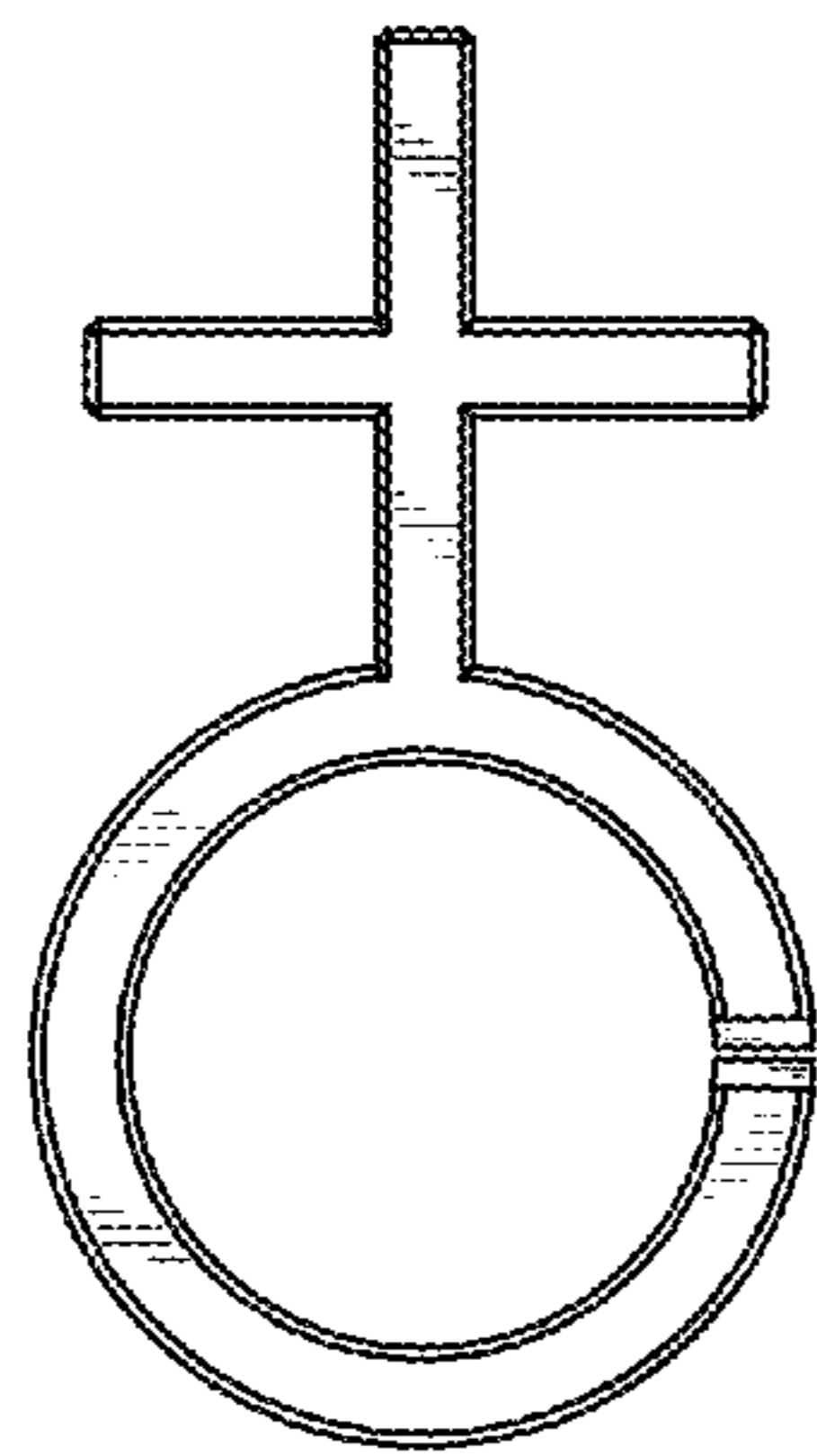


FIG. 2

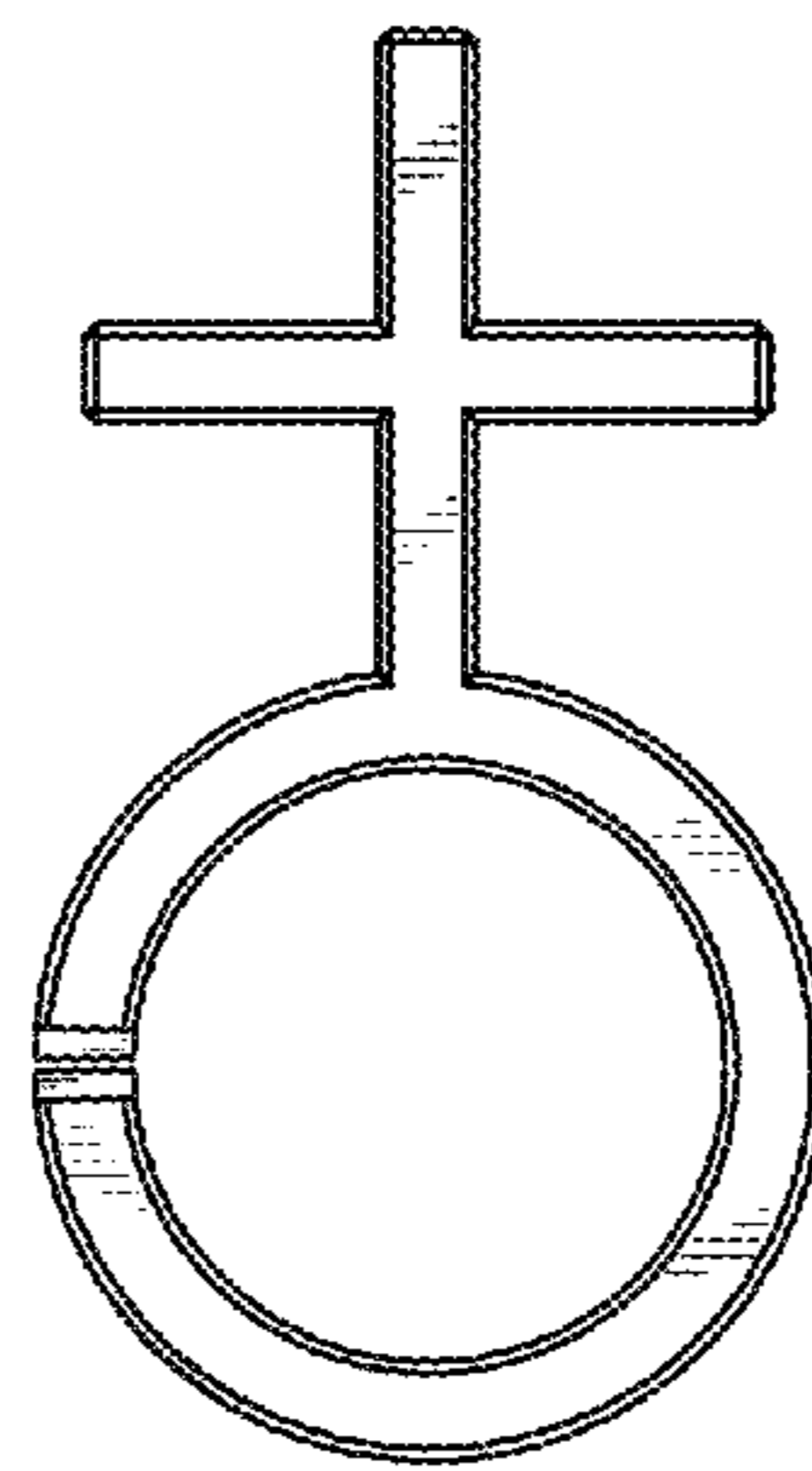


FIG. 3



FIG. 4



FIG. 5



FIG. 6

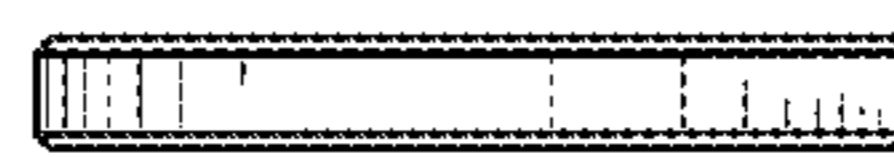


FIG. 7

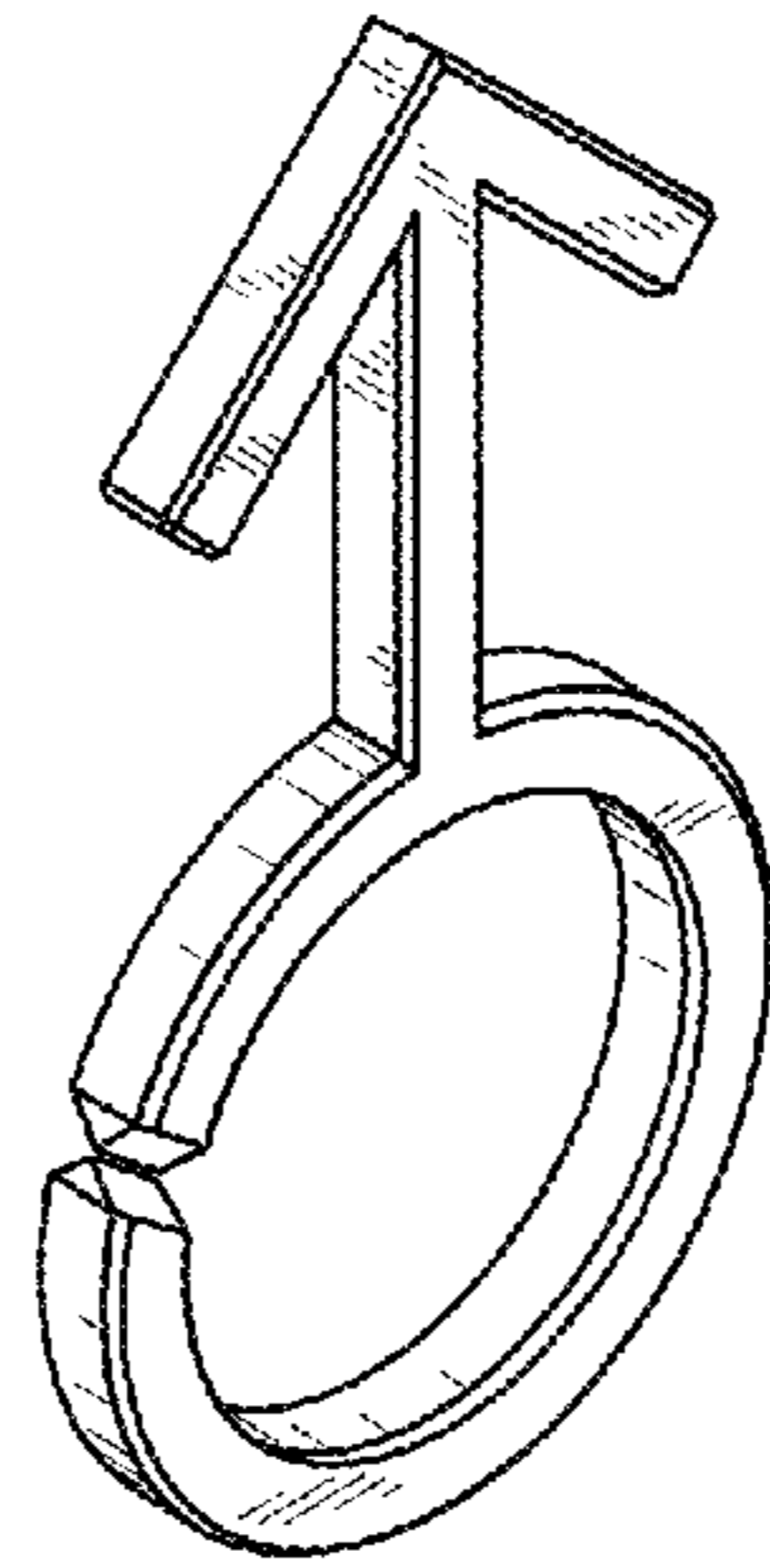


FIG. 8

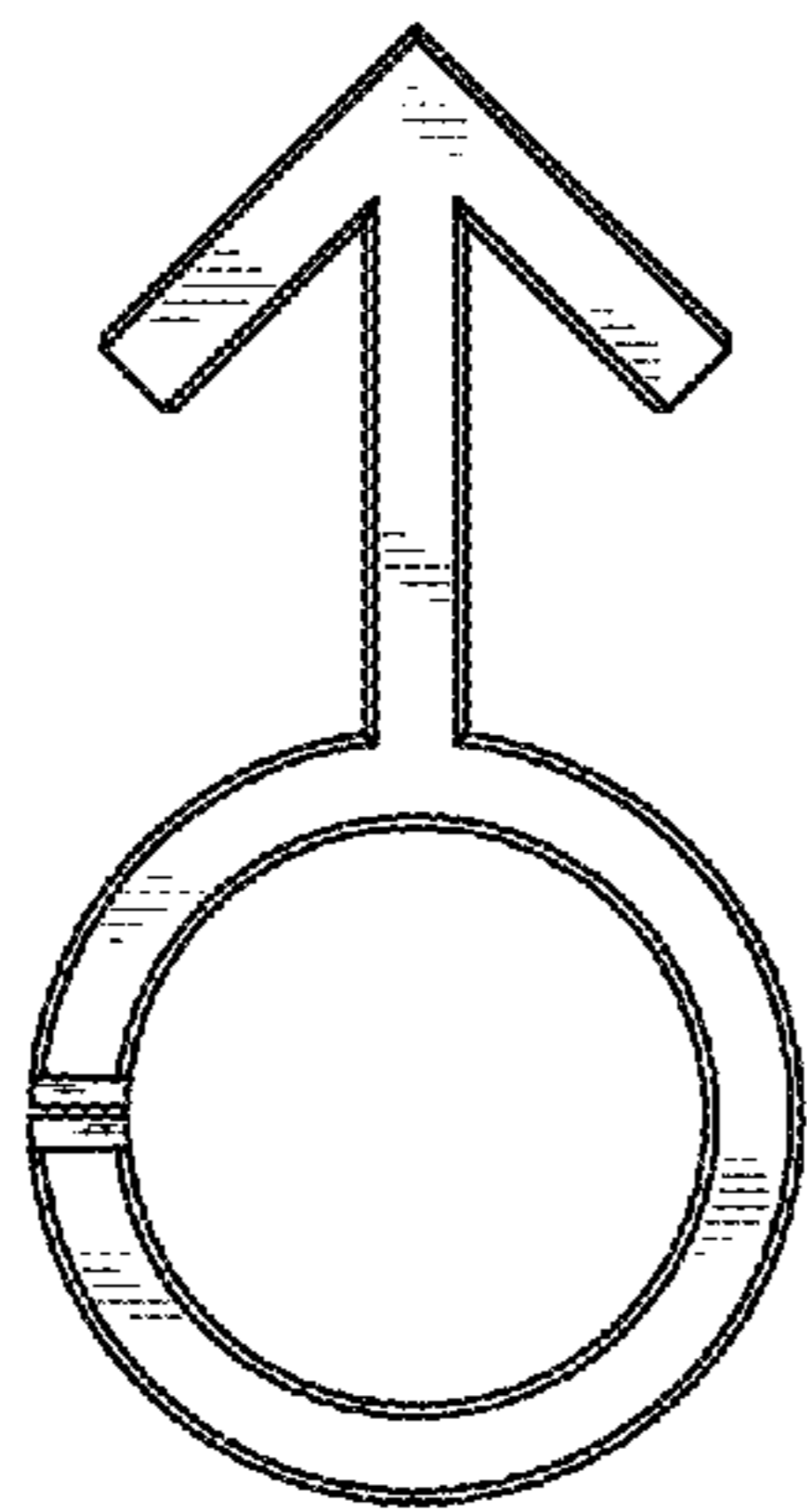


FIG. 9

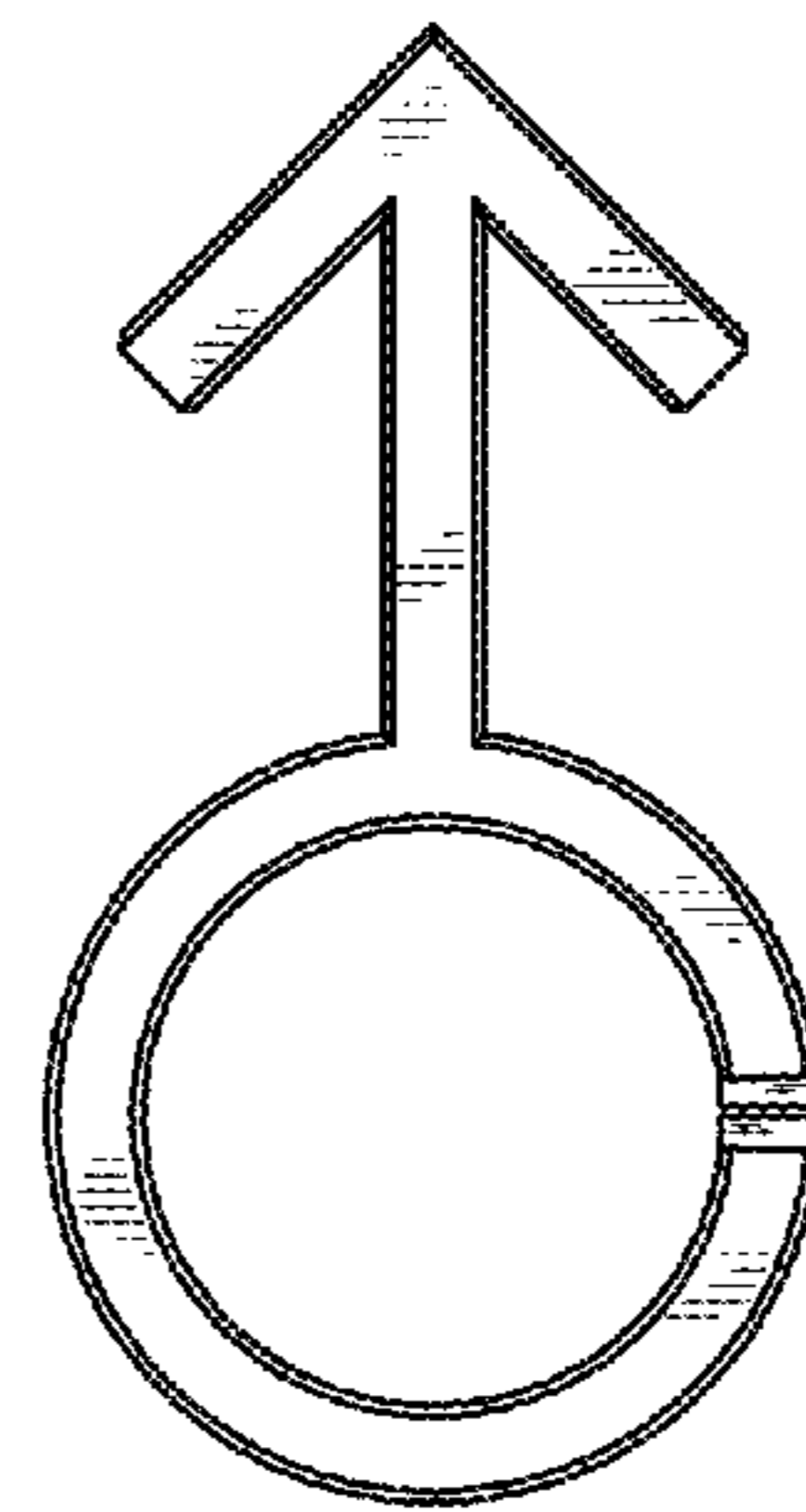


FIG. 10



FIG. 11



FIG. 12



FIG. 13

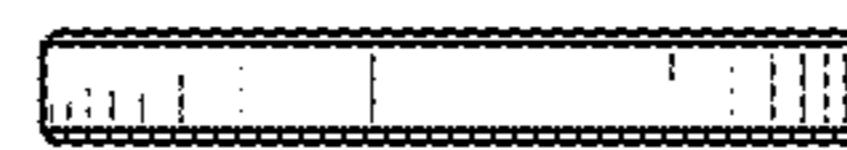


FIG. 14