

US00D668984S

(12) **United States Design Patent**
Sasportas

(10) **Patent No.:** **US D668,984 S**

(45) **Date of Patent:** **** *Oct. 16, 2012**

(54) **STAR SHAPED JEWELRY**

(76) Inventor: **Maimon Sasportas**, Pardes Hana (IL)

(*) Notice: This patent is subject to a terminal disclaimer.

(**) Term: **14 Years**

(21) Appl. No.: **29/386,509**

(22) Filed: **Mar. 2, 2011**

(51) **LOC (9) Cl.** **11-01**

(52) **U.S. Cl.** **D11/1; D11/70; D11/40**

(58) **Field of Classification Search** None
See application file for complete search history.

| | | | | |
|--------------|--------|-----------------|-------|--------|
| D413,544 S * | 9/1999 | Steinberg | | D11/91 |
| D418,445 S * | 1/2000 | Chia et al. | | D11/93 |
| D448,318 S * | 9/2001 | Chia et al. | | D11/93 |
| D460,014 S * | 7/2002 | Williams et al. | | D11/1 |
| D469,717 S * | 2/2003 | Chia et al. | | D11/93 |
| D471,129 S * | 3/2003 | Chia et al. | | D11/93 |
| D490,337 S * | 5/2004 | Reed | | D11/30 |
| D564,932 S * | 3/2008 | Steshik | | D11/89 |

* cited by examiner

Primary Examiner — Cathron Brooks

Assistant Examiner — Melanie Levy

(74) *Attorney, Agent, or Firm* — Deborah Gador

(57) **CLAIM**

The ornamental design for star shaped jewelry, as shown and described.

DESCRIPTION

FIG. 1 is a top perspective view of the claimed star shaped jewelry;

FIG. 2 is a top view of the claimed star shaped jewelry;

FIG. 3 is a side view of the claimed star shaped jewelry; and,

FIG. 4 is a bottom view of the claimed star shaped jewelry.

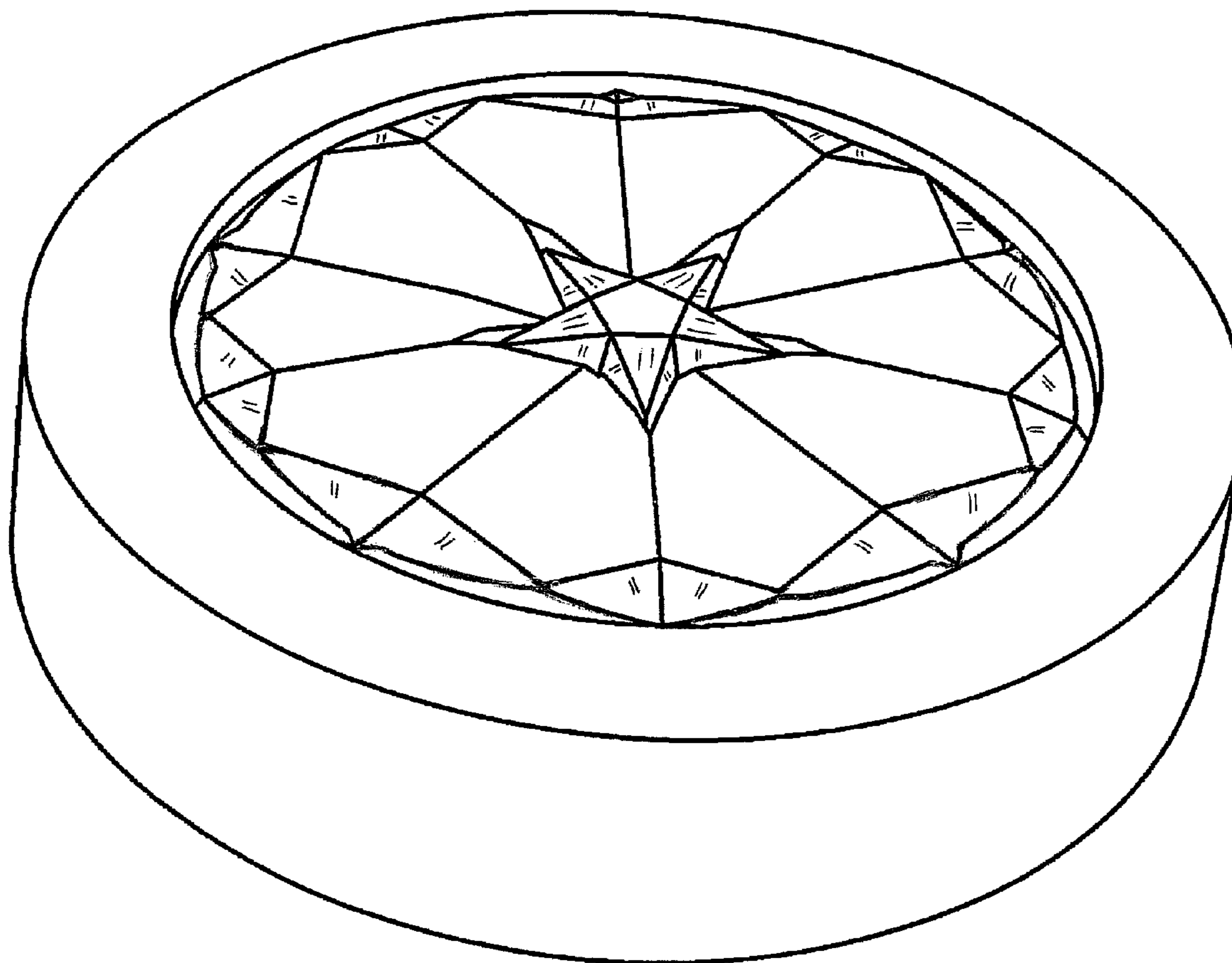
The portions of the jewelry shown in broken lines form no part of the claimed design.

1 Claim, 3 Drawing Sheets

(56) **References Cited**

U.S. PATENT DOCUMENTS

| | | | | |
|---------------|---------|-------------|-------|--------|
| 813,084 A * | 2/1906 | Dover | | 63/26 |
| D55,597 S * | 7/1920 | Felger | | D11/91 |
| D62,226 S * | 4/1923 | Wodiska | | D11/36 |
| D245,489 S * | 8/1977 | Rimberg | | D11/26 |
| D329,401 S * | 9/1992 | Chia et al. | | D11/93 |
| 5,524,458 A * | 6/1996 | Buchner | | 63/28 |
| D402,583 S * | 12/1998 | Beard | | D11/91 |
| D413,279 S * | 8/1999 | Steinberg | | D11/91 |



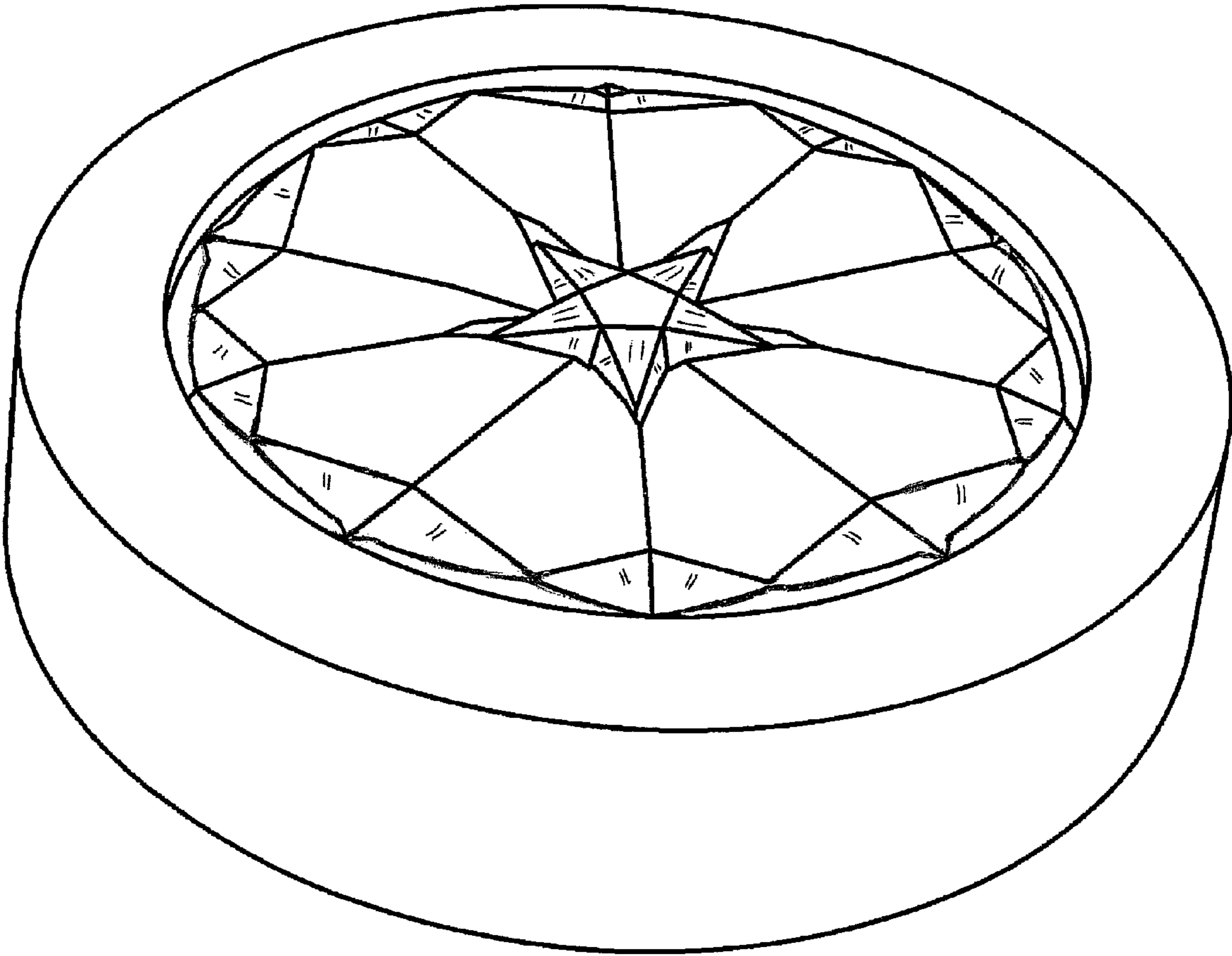


FIG. 1

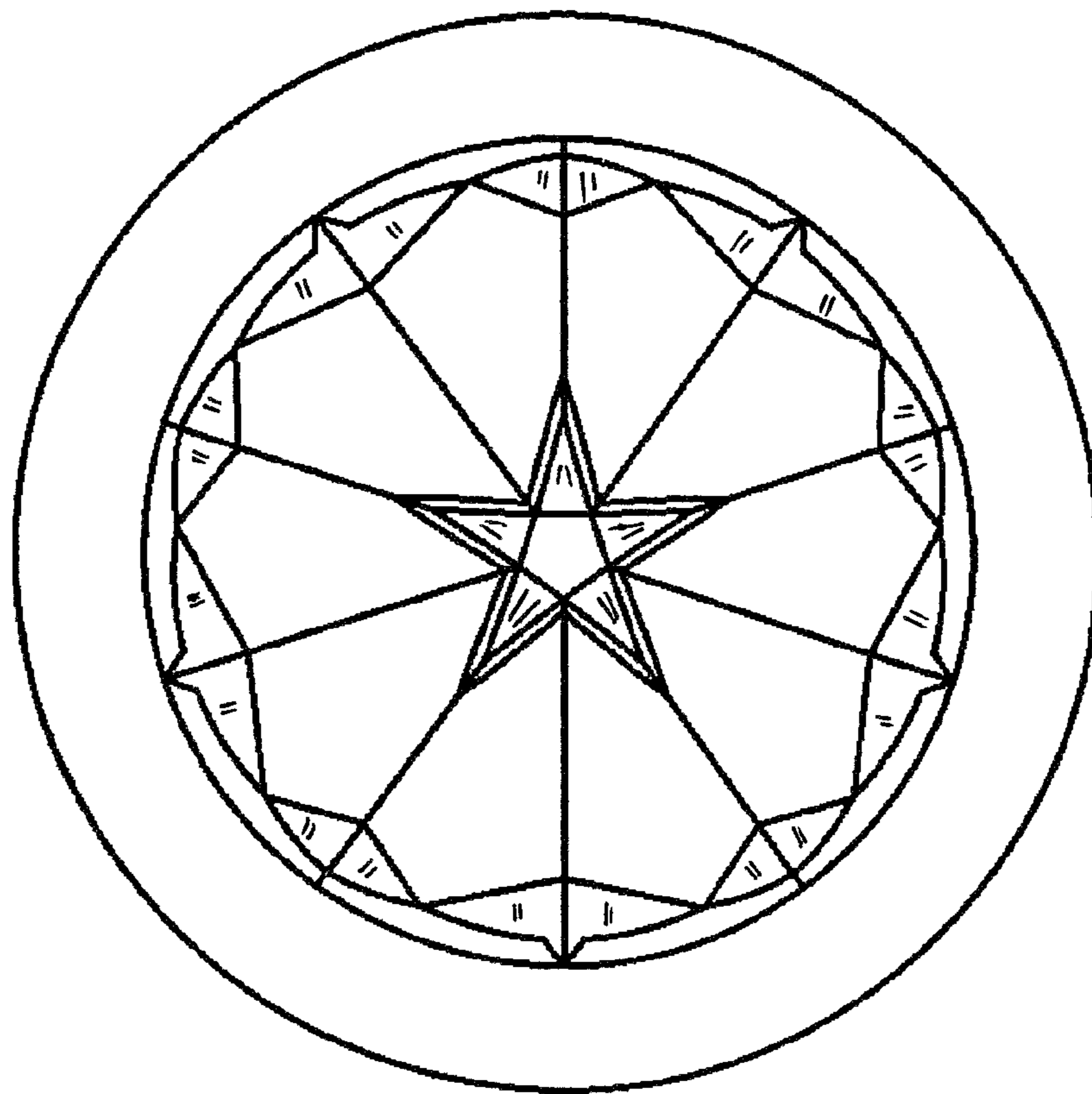


FIG. 2

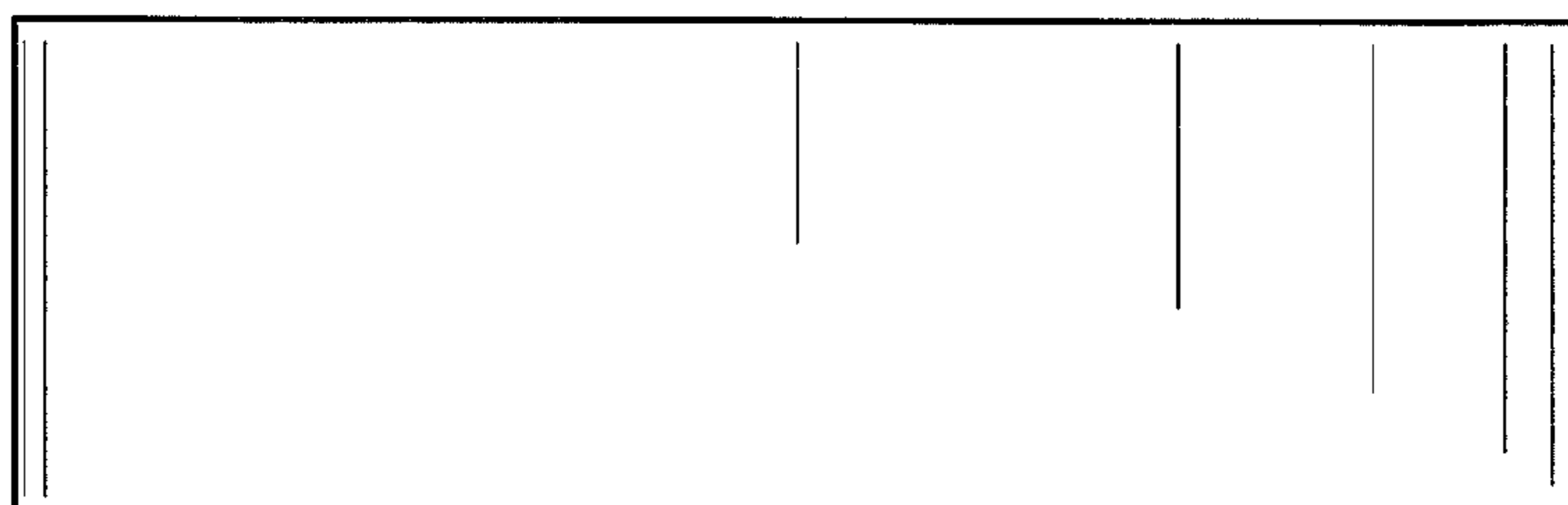


FIG. 3

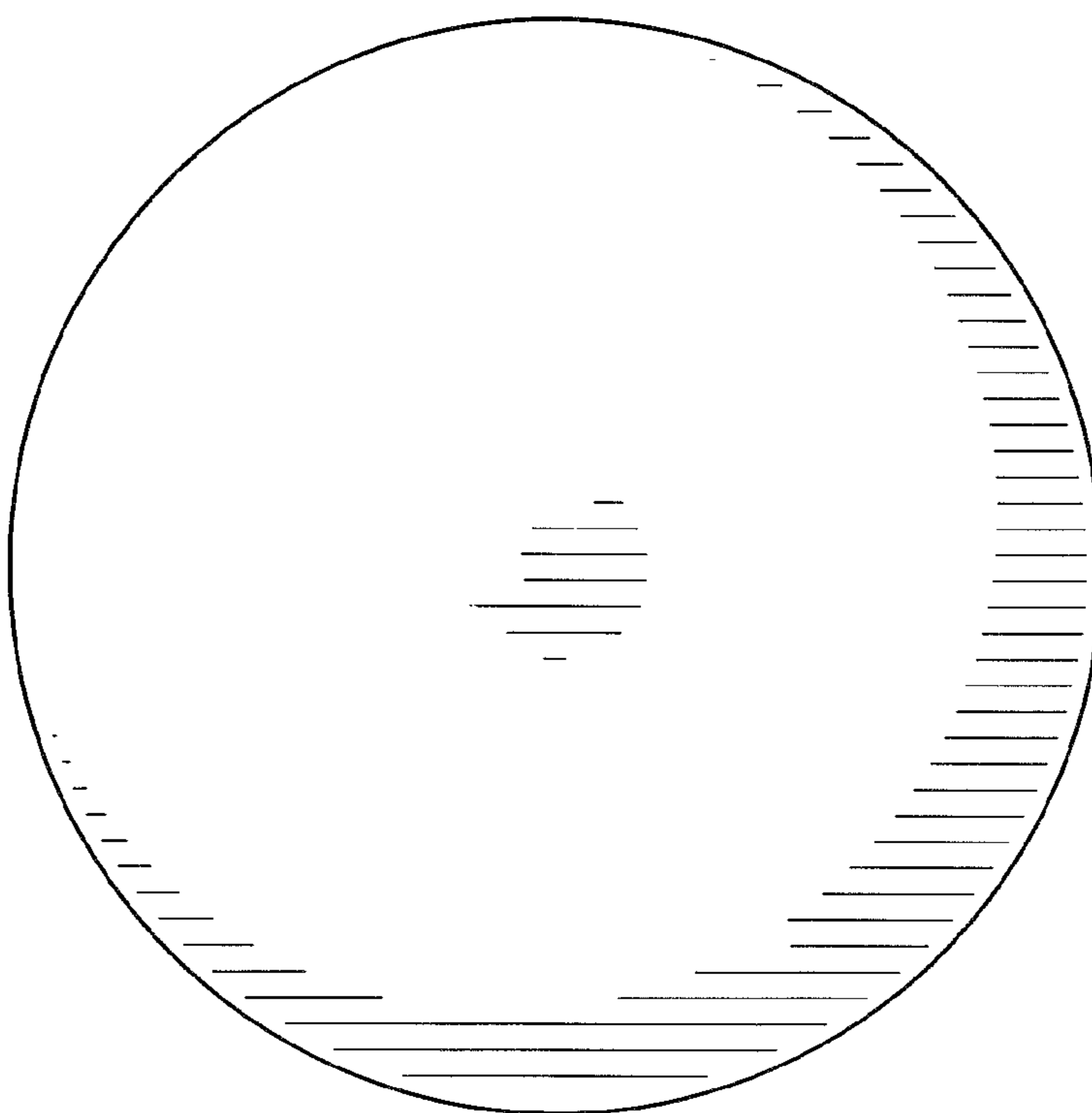


FIG. 4