



US00D668981S

(12) **United States Design Patent**
Hsiao

(10) **Patent No.:** **US D668,981 S**

(45) **Date of Patent:** **** Oct. 16, 2012**

(54) **SOLAR ENERGY NAVIGATION LIGHT**

(75) Inventor: **Yu Hsiang Hsiao**, Keelung (TW)

(73) Assignee: **Sphere International Co., Ltd.**,
Keelung (TW)

(**) Term: **14 Years**

(21) Appl. No.: **29/422,447**

(22) Filed: **May 21, 2012**

(51) **LOC (9) Cl.** **10-05**

(52) **U.S. Cl.** **D10/114.2**

(58) **Field of Classification Search** ... D10/114.1–114.4,
D10/114.6, 114.9, 113.1, 111; D26/67, 76;
362/184; 340/815.4; 315/86

See application file for complete search history.

(56) **References Cited**

U.S. PATENT DOCUMENTS

D513,477 S * 1/2006 Heftman D10/111

2011/0121734 A1* 5/2011 Pape 315/86

* cited by examiner

Primary Examiner — George D Kirschbaum

(74) *Attorney, Agent, or Firm* — Chun-Ming Shih

(57) **CLAIM**

The ornamental design for a solar energy navigation light, as shown.

DESCRIPTION

FIG. 1 is a perspective view of the design for a solar energy navigation light;

FIG. 2 is a front view of the design;

FIG. 3 is a rear view of the design;

FIG. 4 is a left side view of the design;

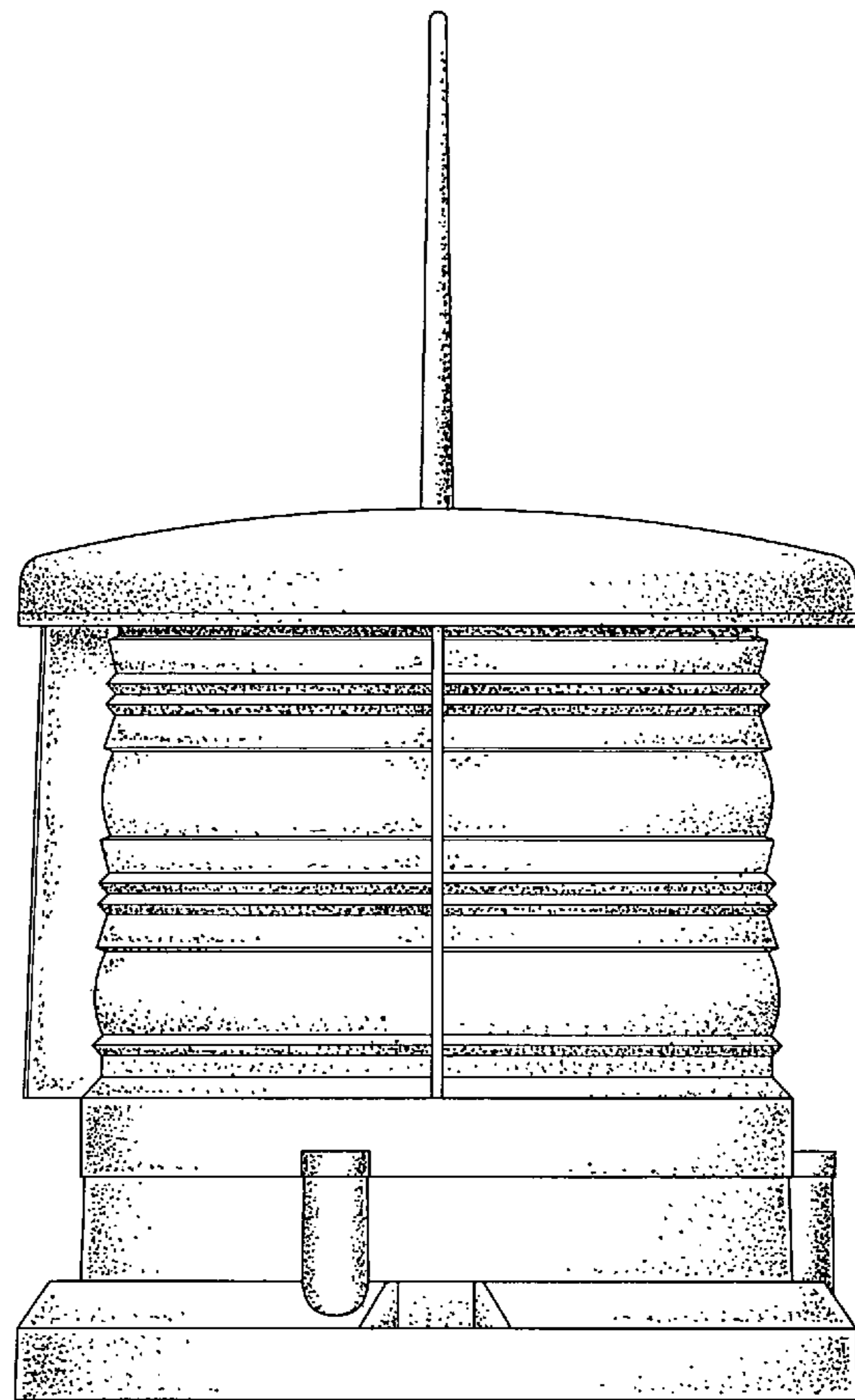
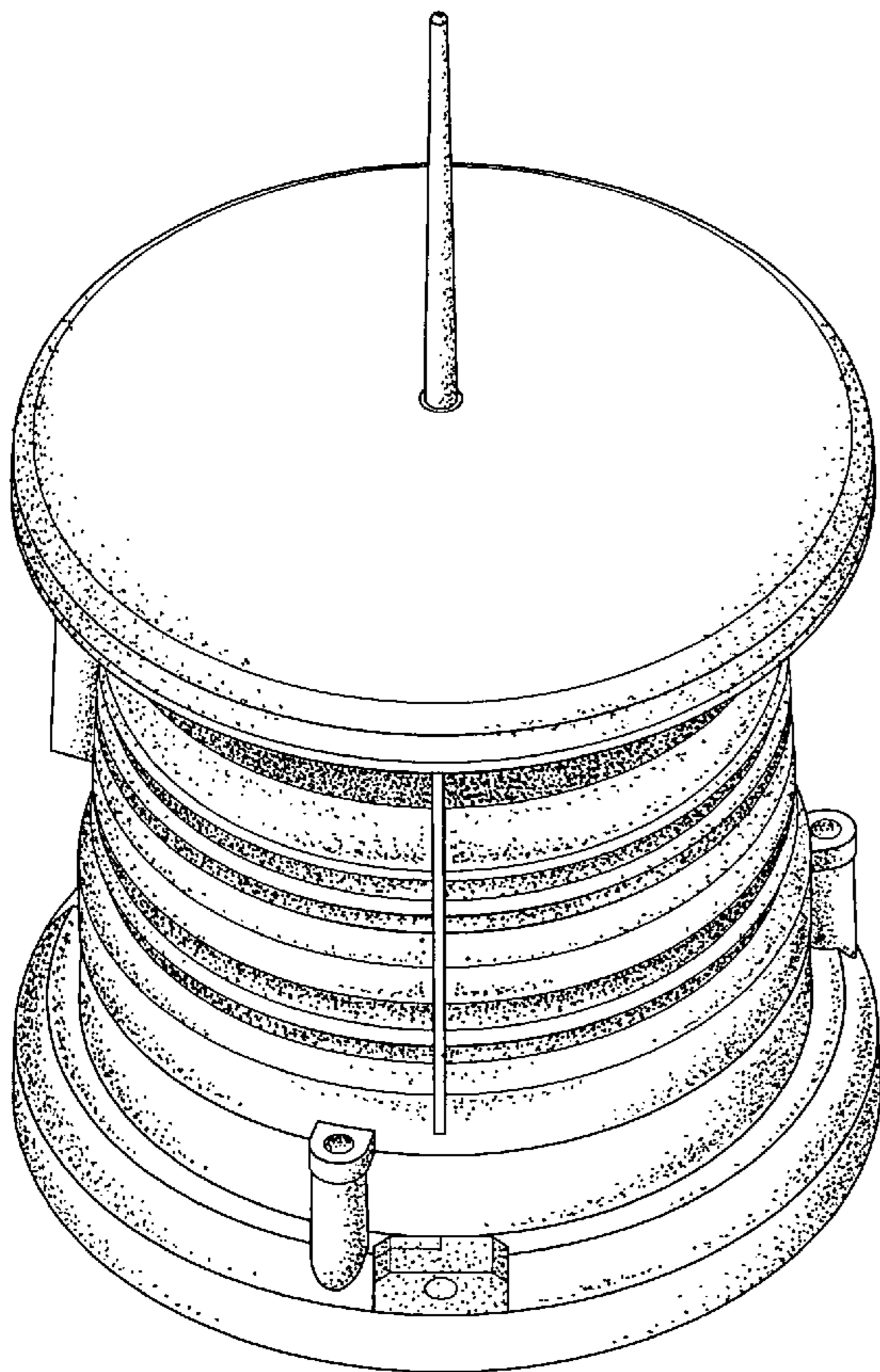
FIG. 5 is a right side view of the design;

FIG. 6 is a top view of the design; and,

FIG. 7 is a bottom view of the design.

The broken line showing of structures on the bottom of the design is included for the purpose of illustrating portions of the “article” and forms no part of the claimed design.

1 Claim, 7 Drawing Sheets



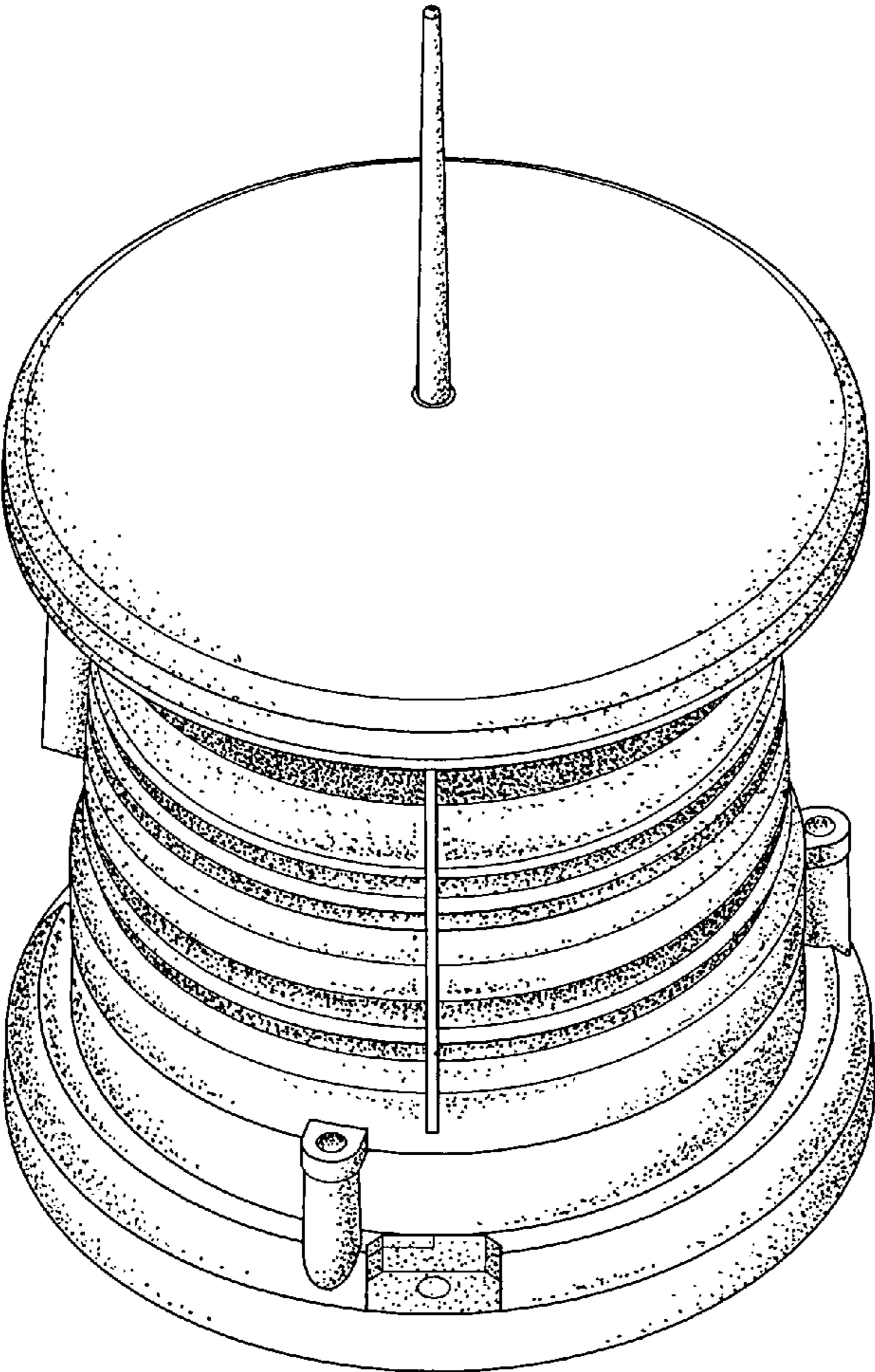


FIG. 1

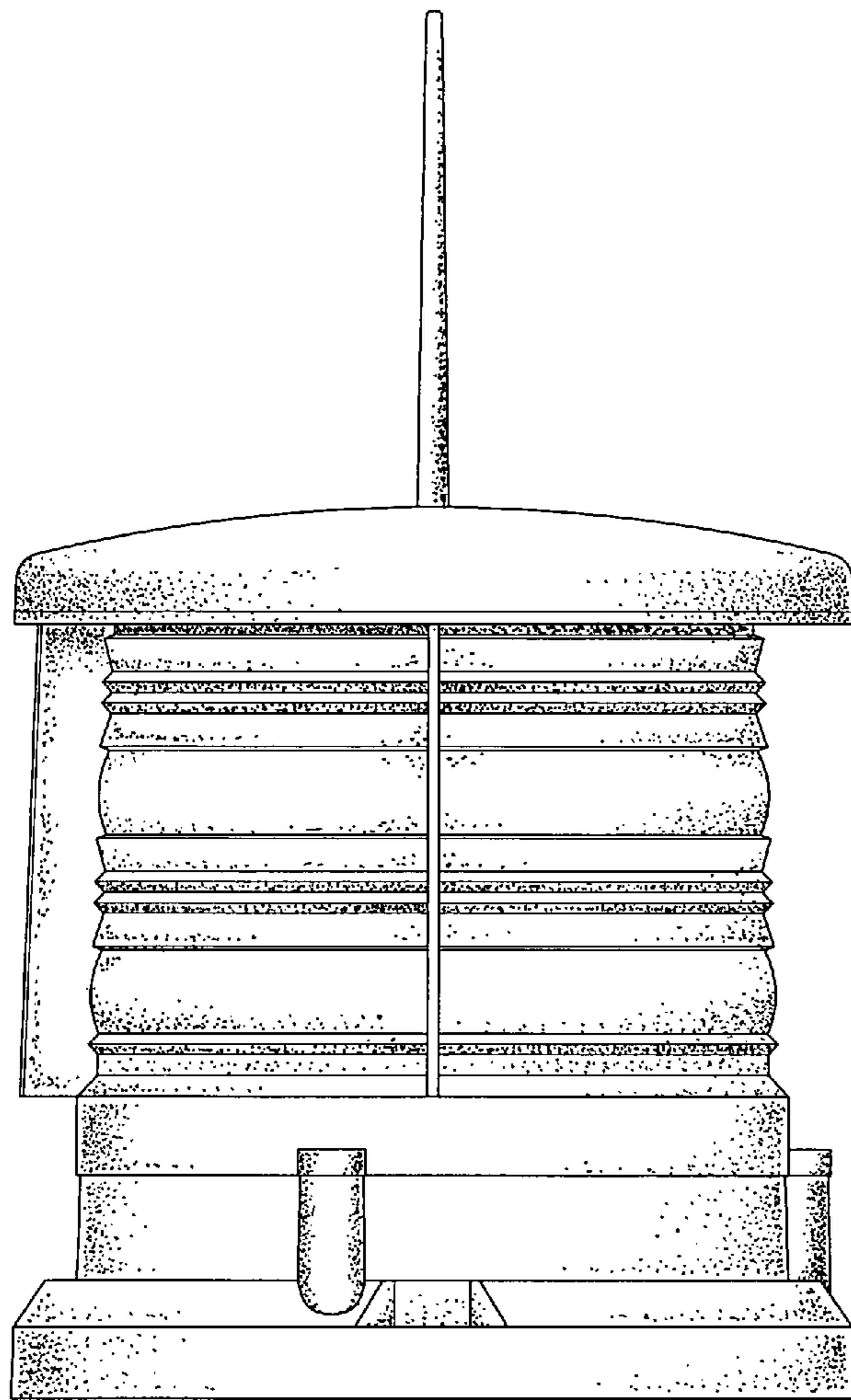


FIG. 2

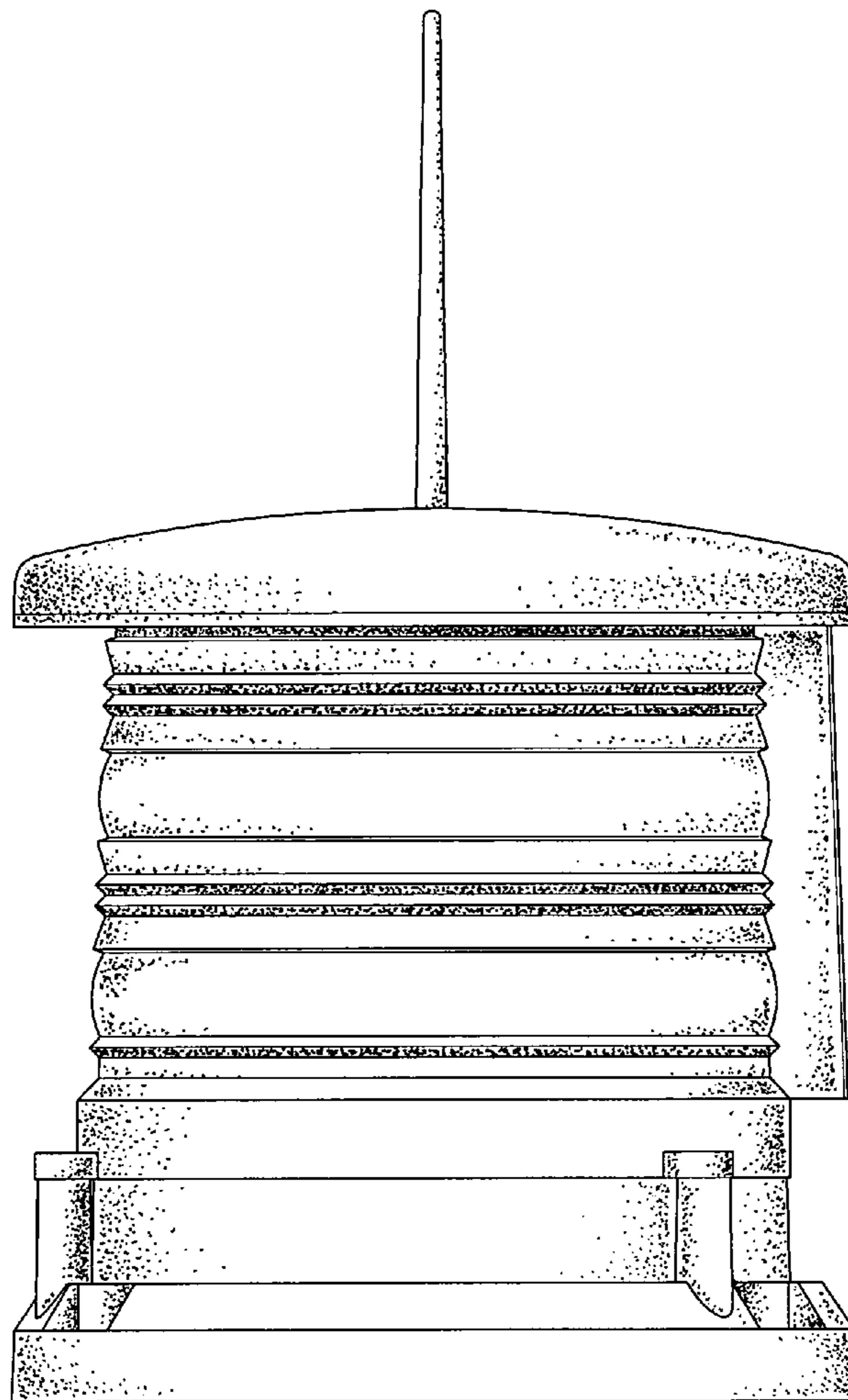


FIG. 3

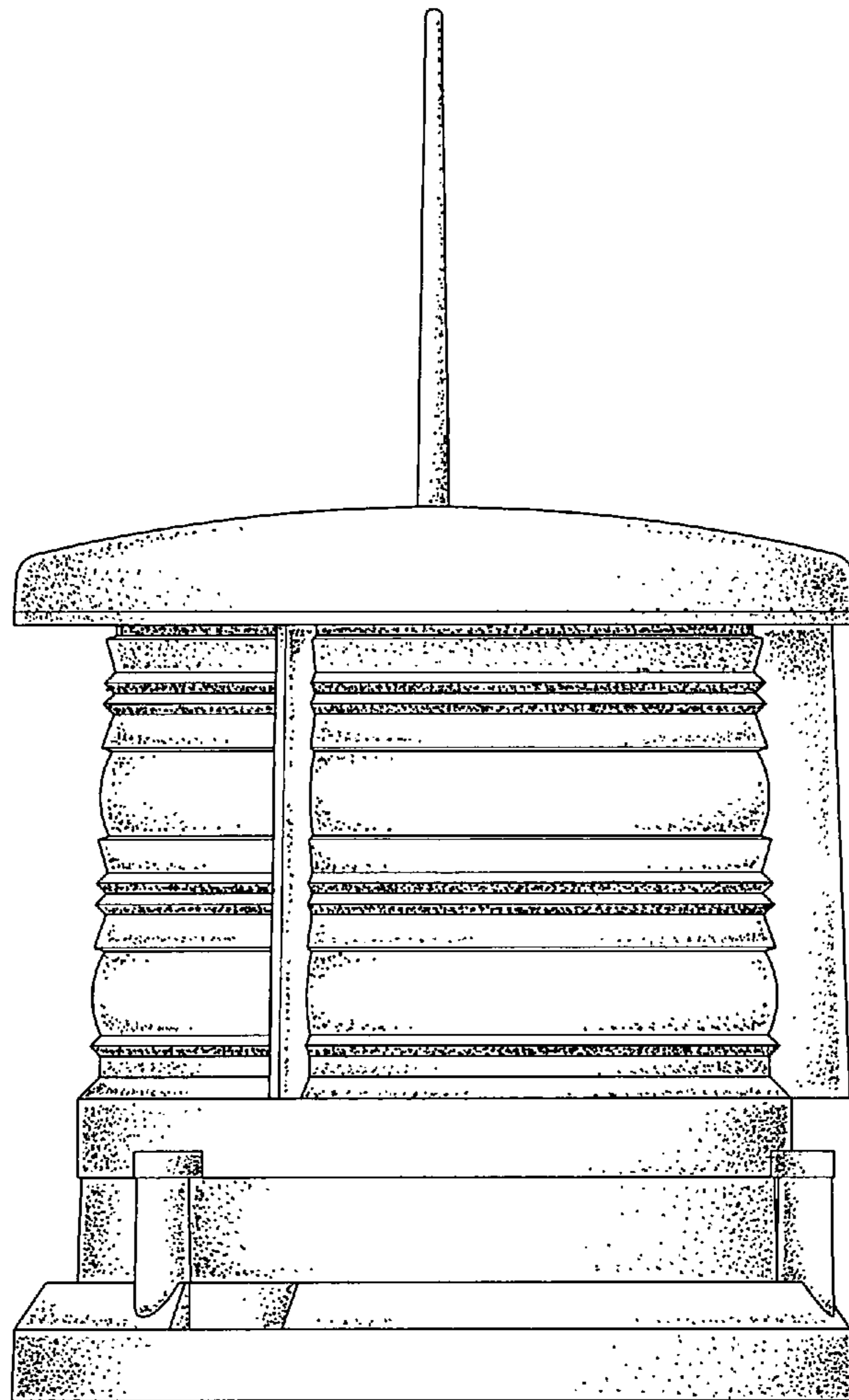


FIG. 4

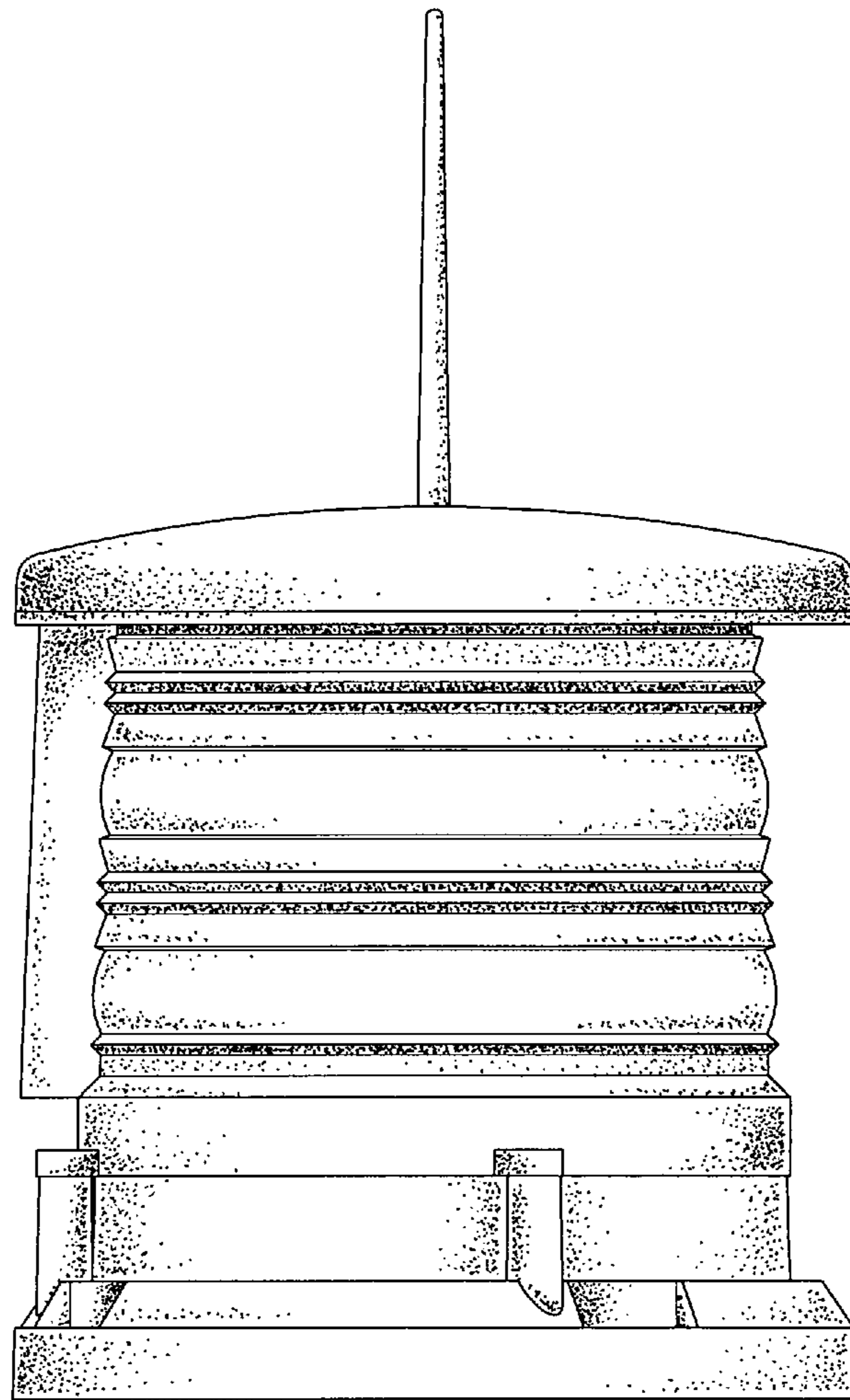


FIG. 5

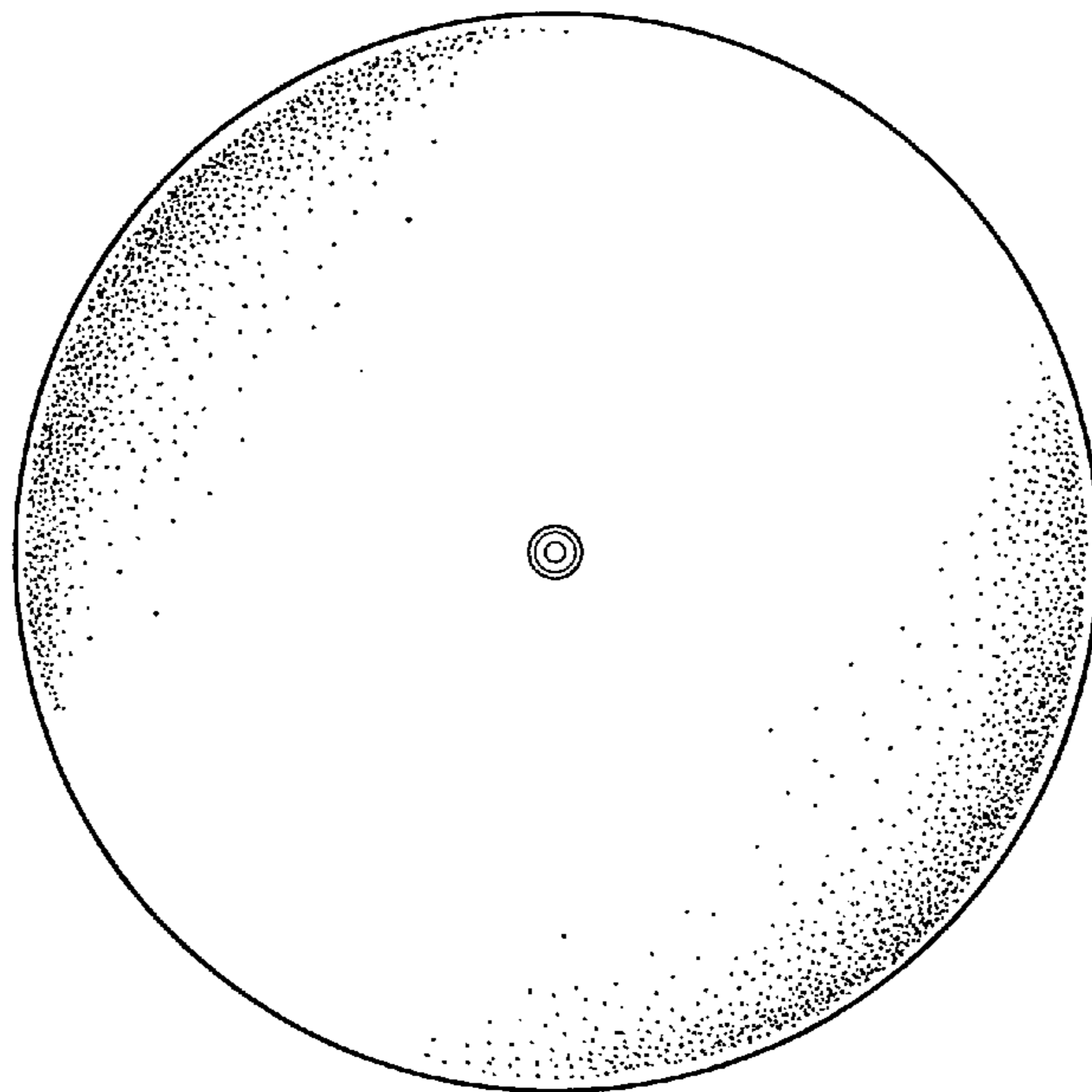


FIG. 6

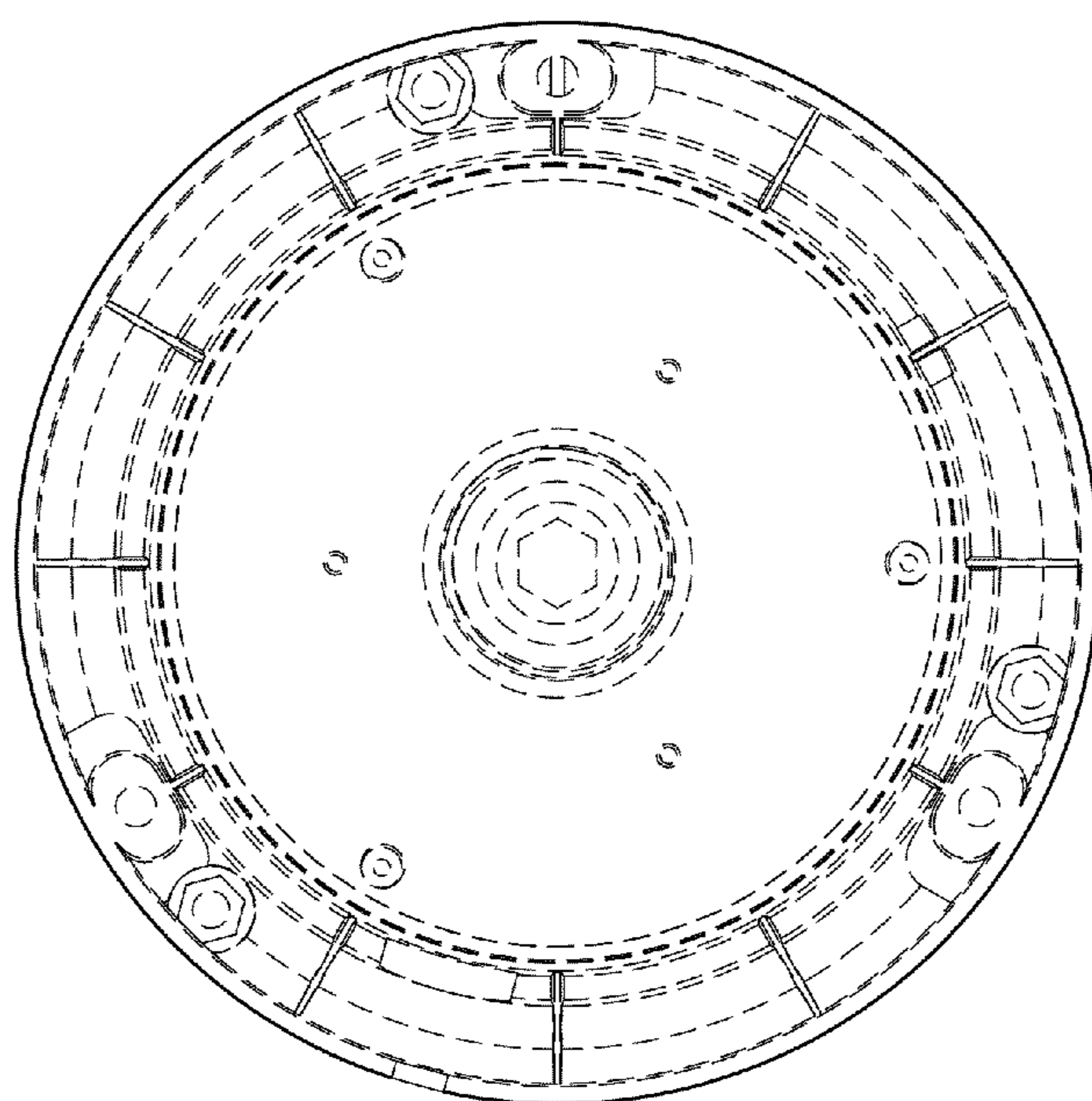


FIG. 7