



US00D668980S

(12) **United States Design Patent**
Greenberg et al.

(10) **Patent No.:** **US D668,980 S**
(45) **Date of Patent:** **** Oct. 16, 2012**

(54) **WEARABLE MOVEMENT MONITOR**
DOCKET STATION

(76) Inventors: **Andrew Greenberg**, Portland, OR (US);
Pedro Mateo Riobo Aboy, Beaverton,
OR (US); **James McNames**, Portland,
OR (US); **Stephen Dylan Berry**,
Beaverton, OR (US)

(**) Term: **14 Years**

(21) Appl. No.: **29/358,004**

(22) Filed: **Mar. 21, 2010**

(51) **LOC (9) Cl.** **10-05**

(52) **U.S. Cl.** **D10/104.1**

(58) **Field of Classification Search** D10/104.1,
D10/104.2, 65; D14/217, 432-434, 314,
D14/204; D13/108, 146; 248/346.03, 346.06;
361/679.41, 679.31, 679.32, 679.4, 679.43,
361/731; 600/301; 710/304; 320/112

See application file for complete search history.

(56) **References Cited**

U.S. PATENT DOCUMENTS

4,117,834	A	10/1978	McPartland	
4,306,291	A	12/1981	Zilm	
4,353,375	A	10/1982	Colburn	
D328,277	S *	7/1992	Leman et al.	D13/108
5,293,879	A	3/1994	Vonk	
5,562,104	A	10/1996	Hochberg	
D453,920	S *	2/2002	Greene	D13/108
D511,745	S *	11/2005	Lamason et al.	D13/108
7,089,148	B1	8/2006	Bachmann	
7,141,026	B2	11/2006	Aminian	
D534,862	S *	1/2007	Aguilar	D13/108
7,210,240	B2	5/2007	Townsend	
D558,739	S *	1/2008	Andre et al.	D14/217
7,395,181	B2	7/2008	Foxlin	
D614,979	S	5/2010	McNames	

D625,729	S	10/2010	McNames	
D633,503	S *	3/2011	Bo et al.	D14/434
2004/0015103	A1	1/2004	Aminian	
2005/0010139	A1	1/2005	Aminian	
2005/0234309	A1	10/2005	Klapper	
2006/0250764	A1 *	11/2006	Howarth et al.	361/683
2007/0032748	A1	2/2007	Mcneil	
2007/0249968	A1	10/2007	Miesel	
2007/0255118	A1	11/2007	Miesel	
2008/0053253	A1	3/2008	Moore	
2008/0284650	A1	11/2008	Macintosh	
2008/0285805	A1	11/2008	Luinge	
2009/0235006	A1 *	9/2009	Desrosiers et al.	710/304
2009/0281830	A1	11/2009	McNames	
2010/0030119	A1	2/2010	McNames	
2010/0076348	A1	3/2010	McNames	
2010/0145236	A1	6/2010	Greenberg	
2010/0261979	A1 *	10/2010	Kiani	600/301

* cited by examiner

Primary Examiner — George D Kirschbaum

(74) *Attorney, Agent, or Firm* — Mateo Aboy;
Aboy&Associates PC

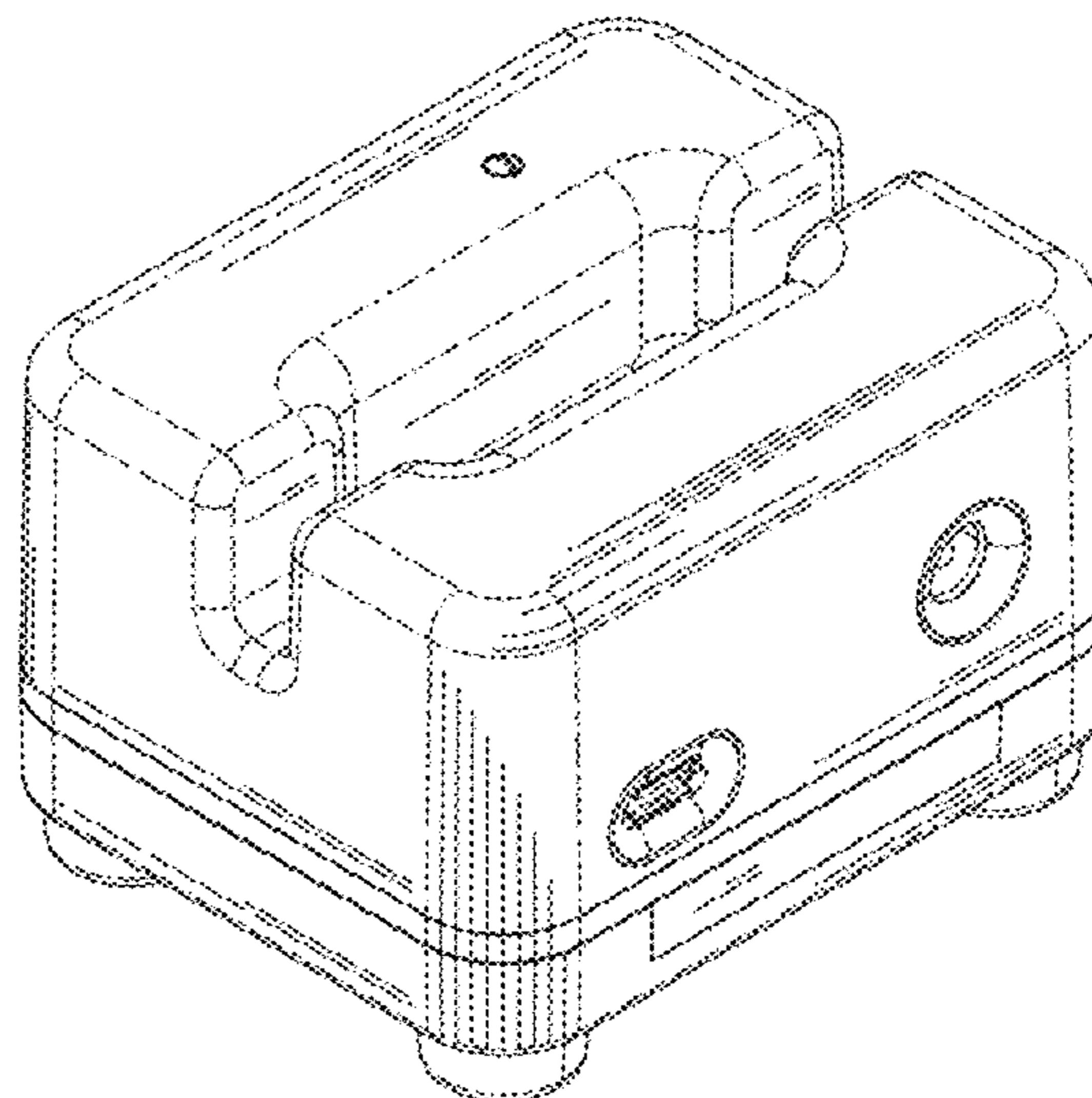
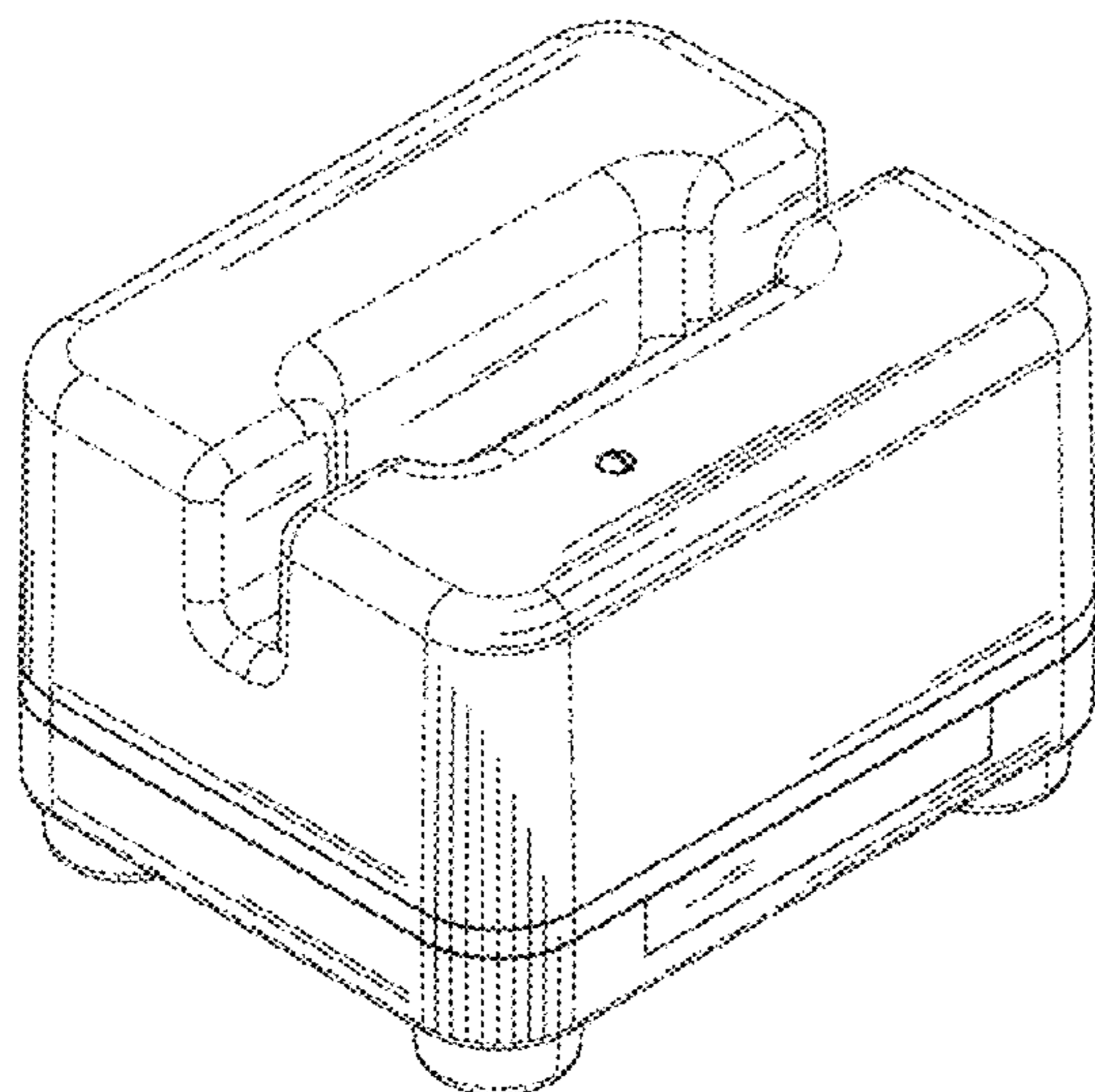
(57) **CLAIM**

We claim the ornamental design for a wearable movement monitor docket station, as shown and described.

DESCRIPTION

FIG. 1 is a top, front perspective view of a wearable movement monitor docket station showing the new design; FIG. 2 is a top, rear perspective view thereof; FIG. 3 is a perspective view thereof; FIG. 4 is a front side view thereof; FIG. 5 is a rear side view thereof; FIG. 6 is a right side view thereof; FIG. 7 is a left side view thereof; FIG. 8 is a top side view thereof; and, FIG. 9 is a bottom side view thereof.

1 Claim, 9 Drawing Sheets



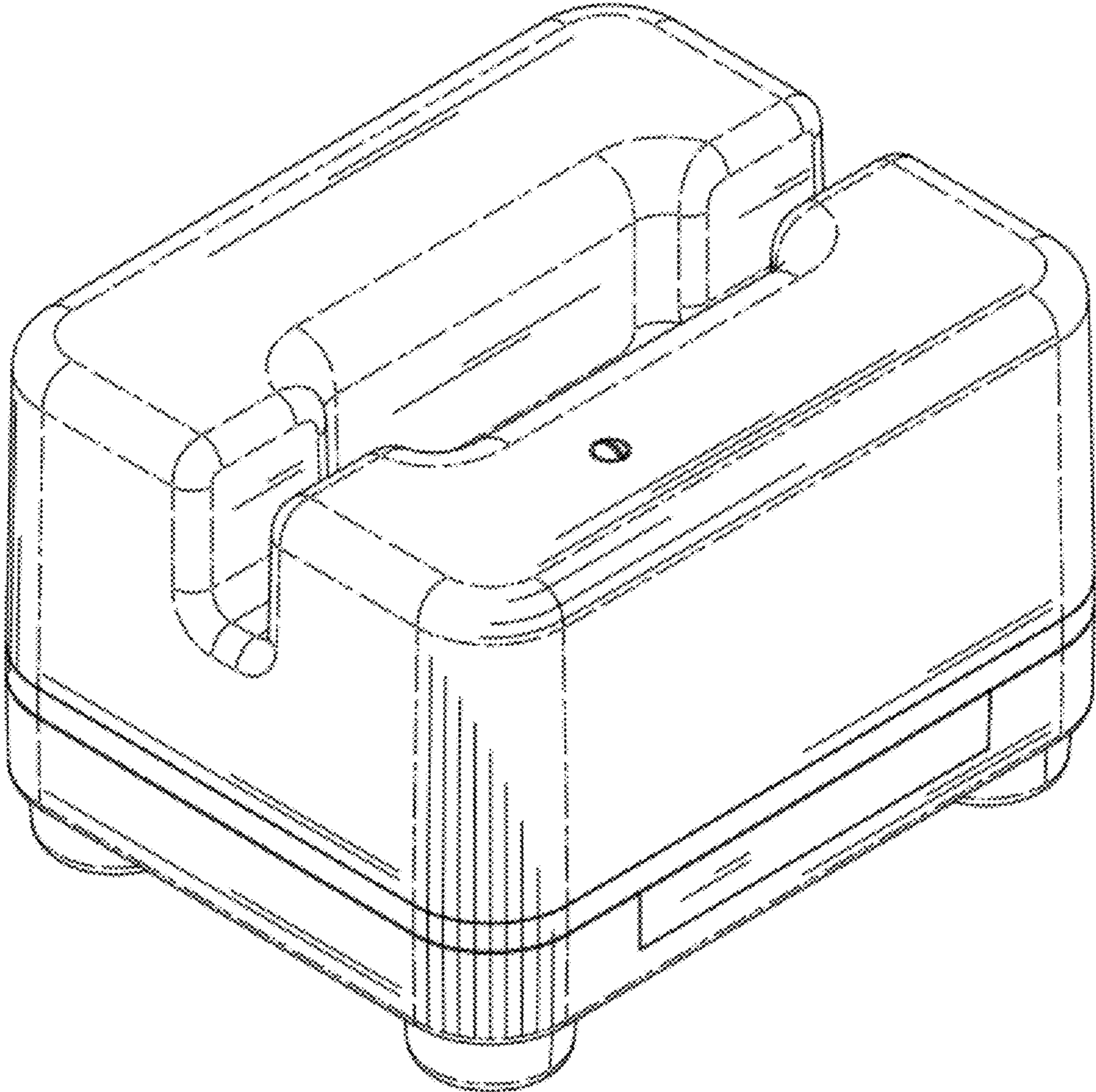


FIG.1

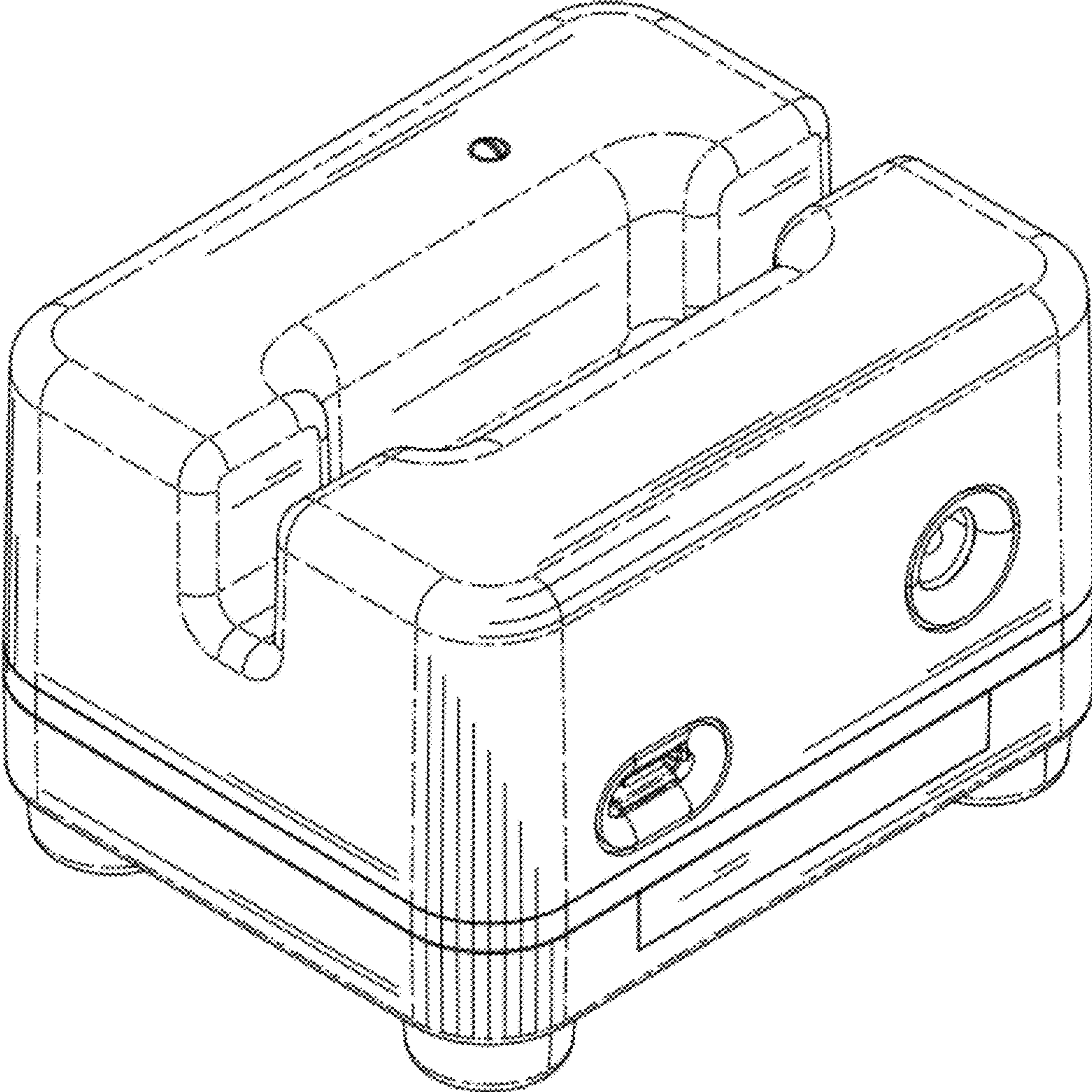


FIG.2

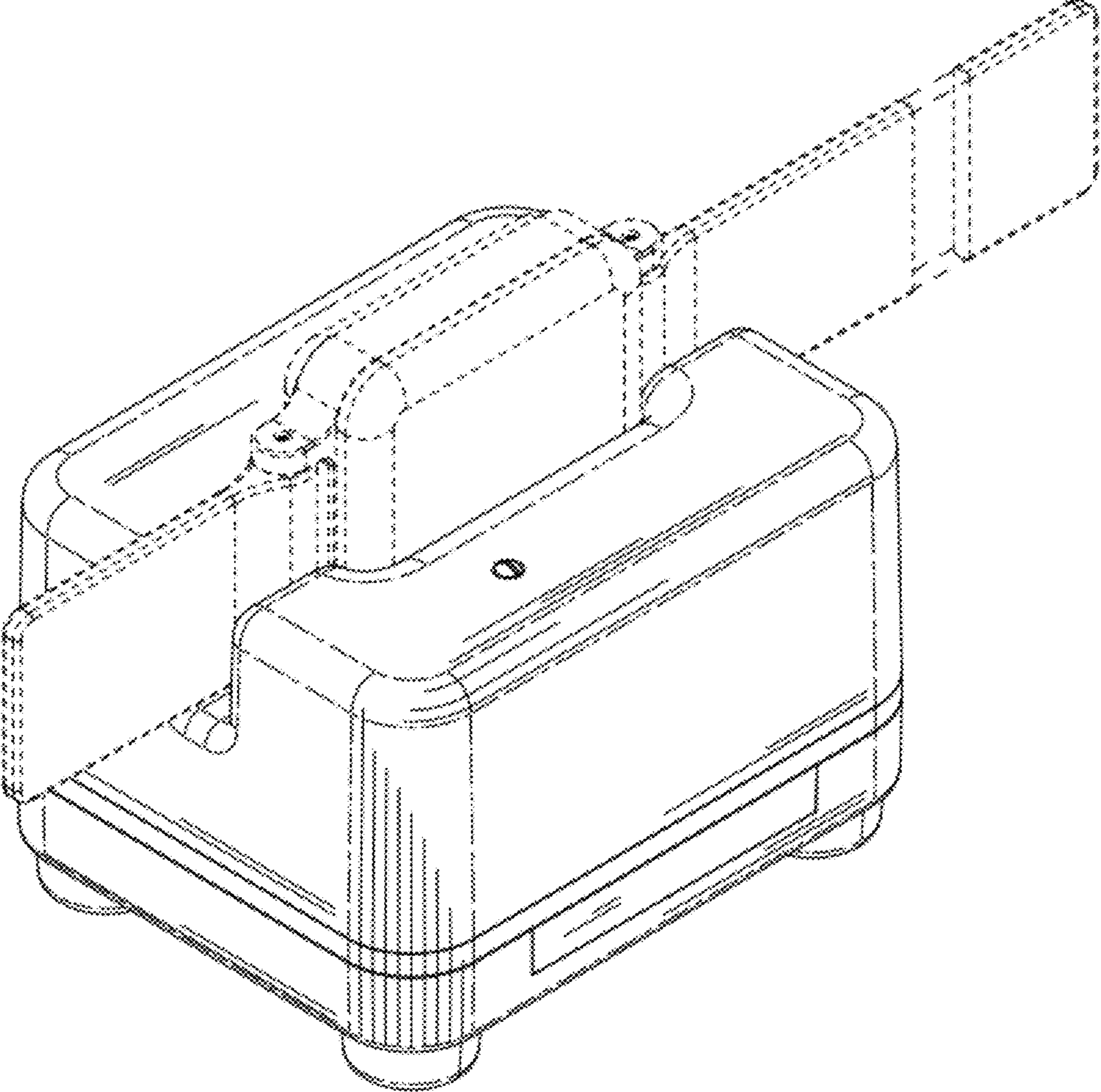


FIG.3

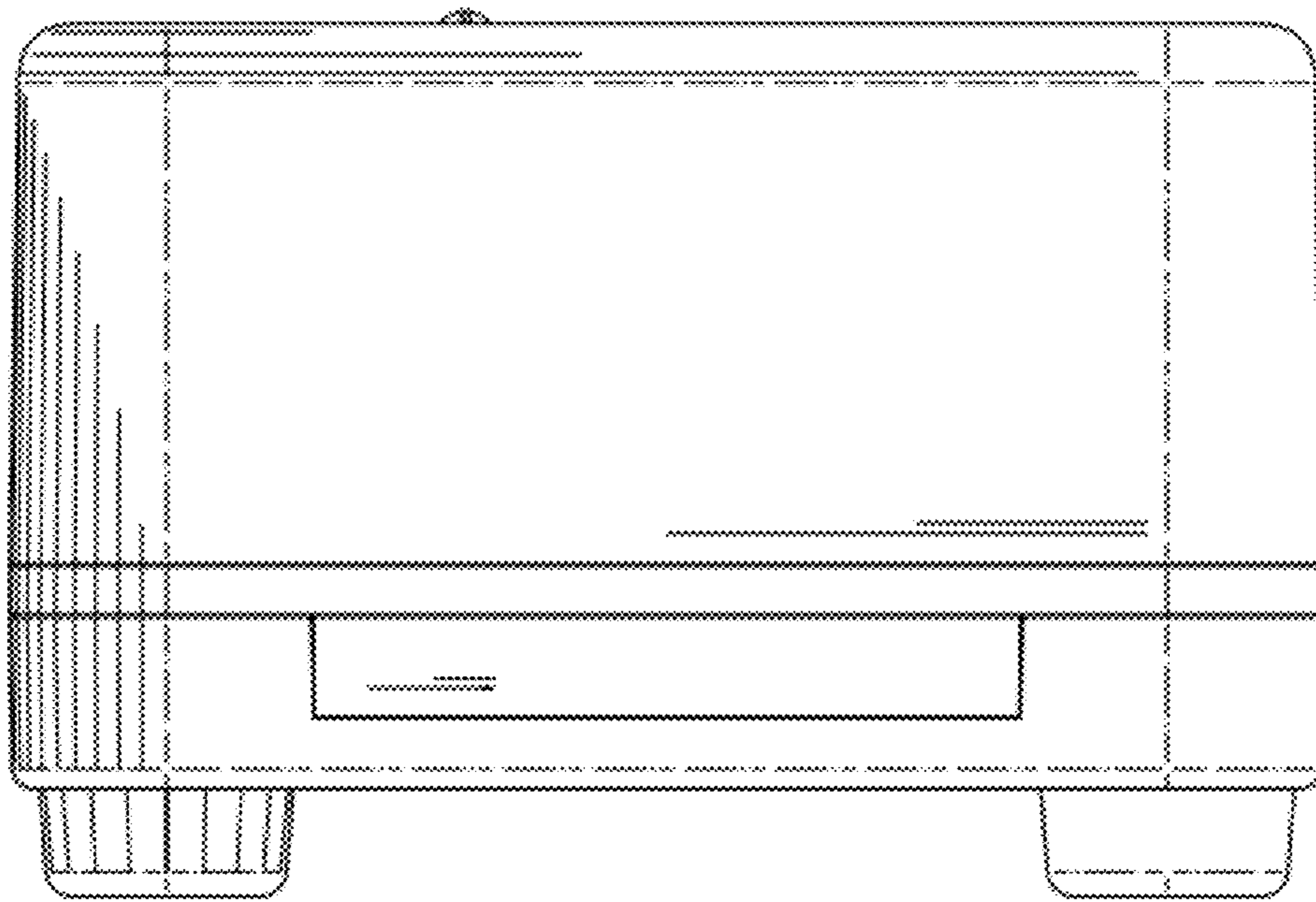


FIG.4

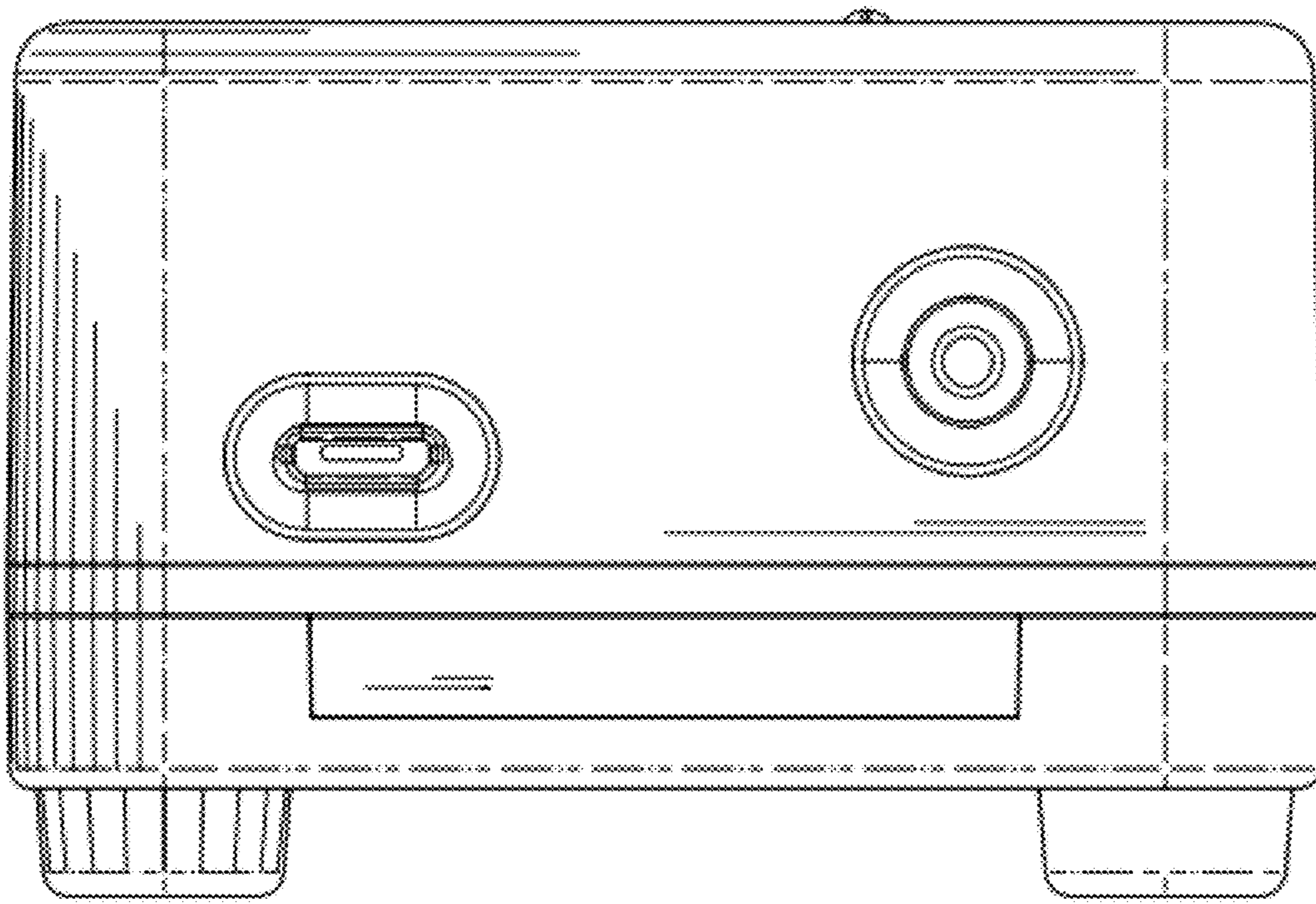


FIG.5

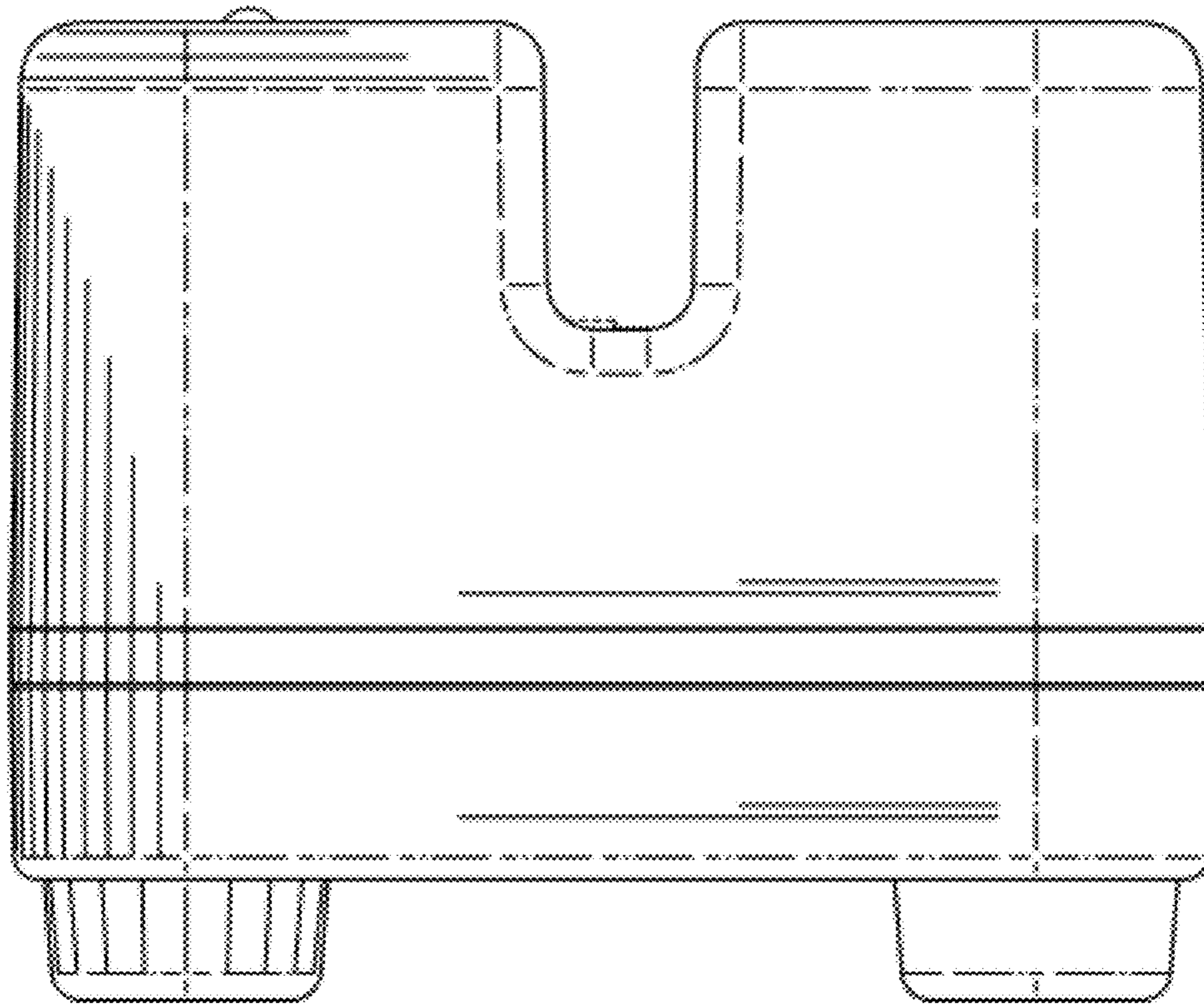


FIG.6

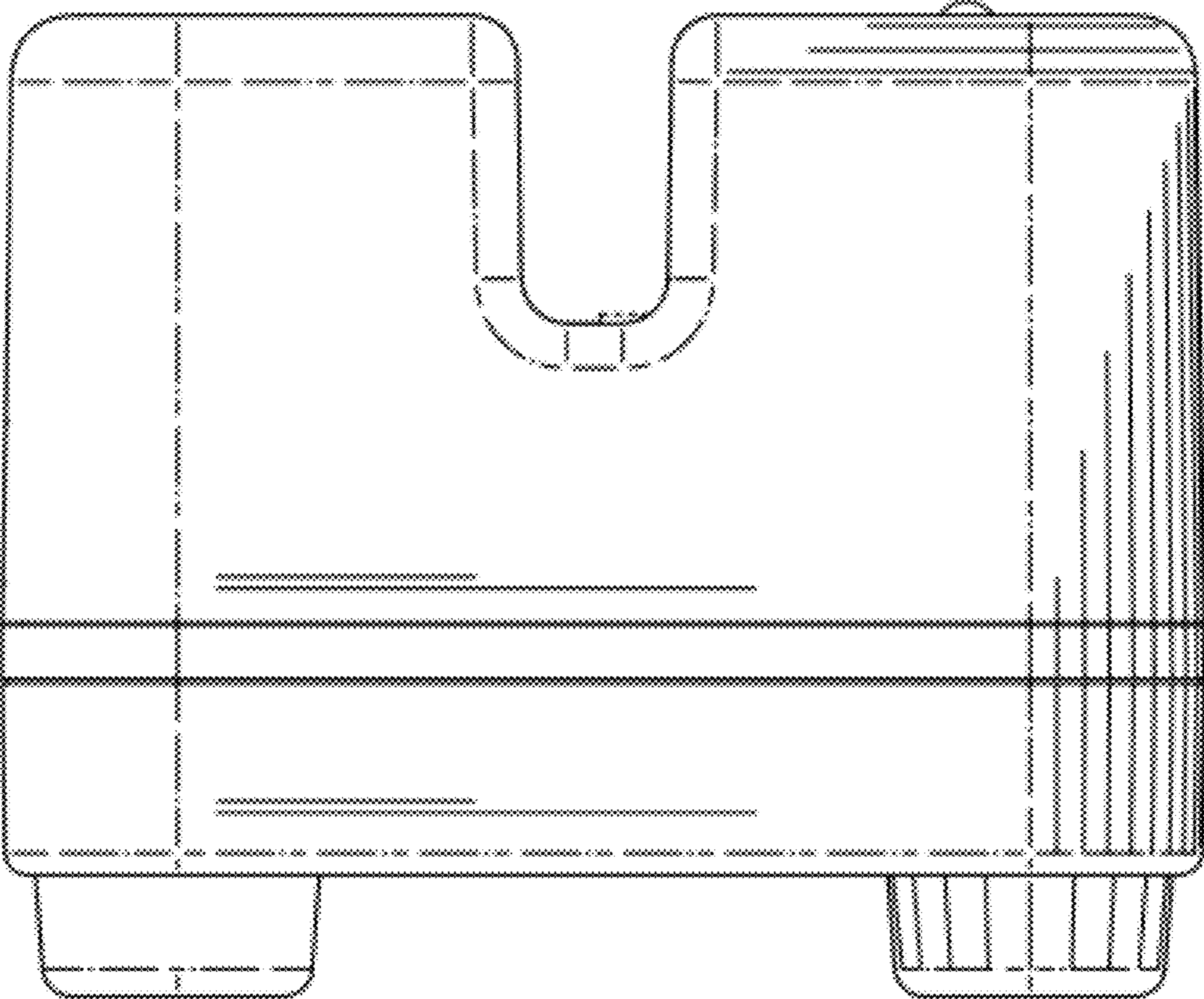


FIG.7

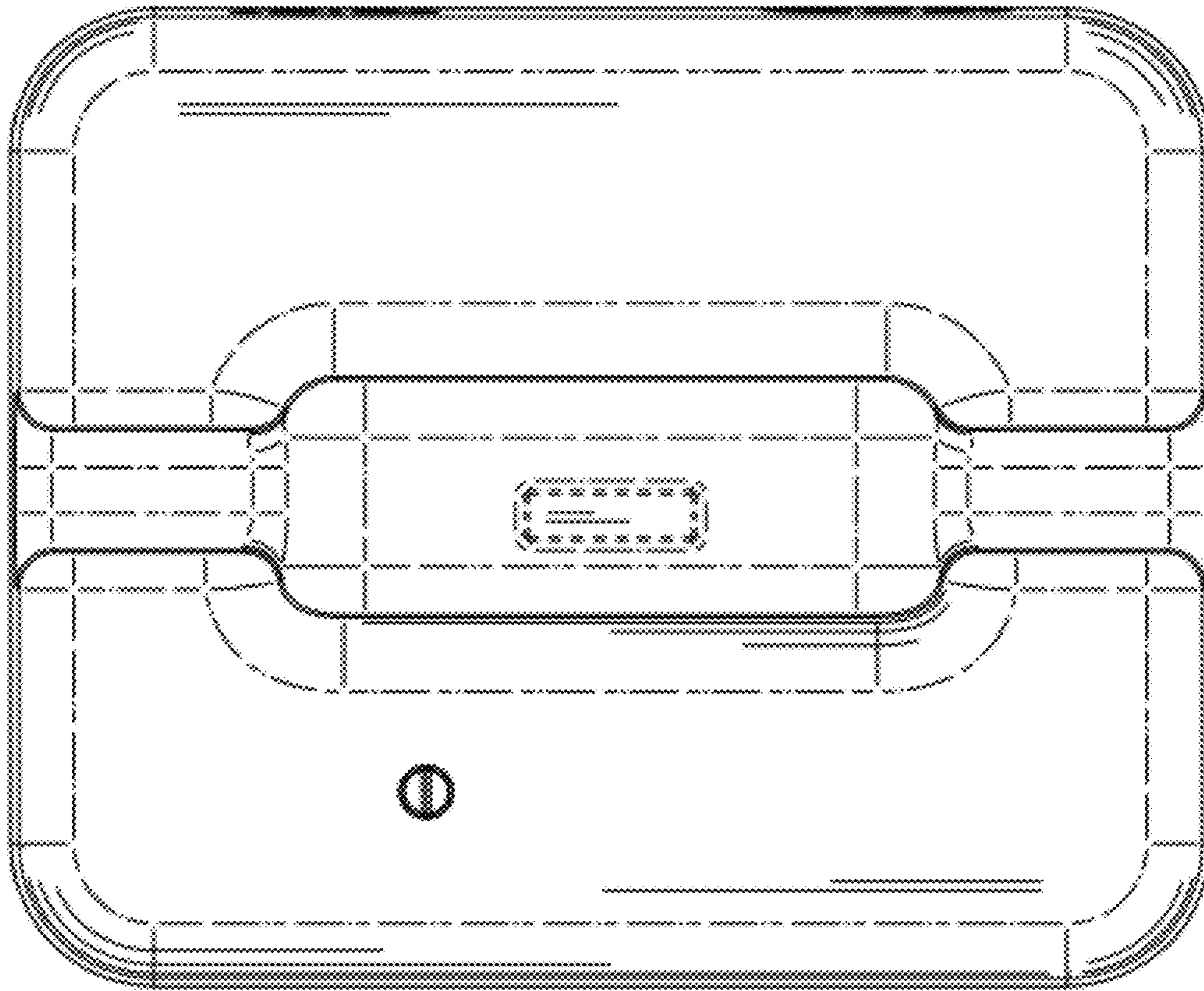


FIG.8

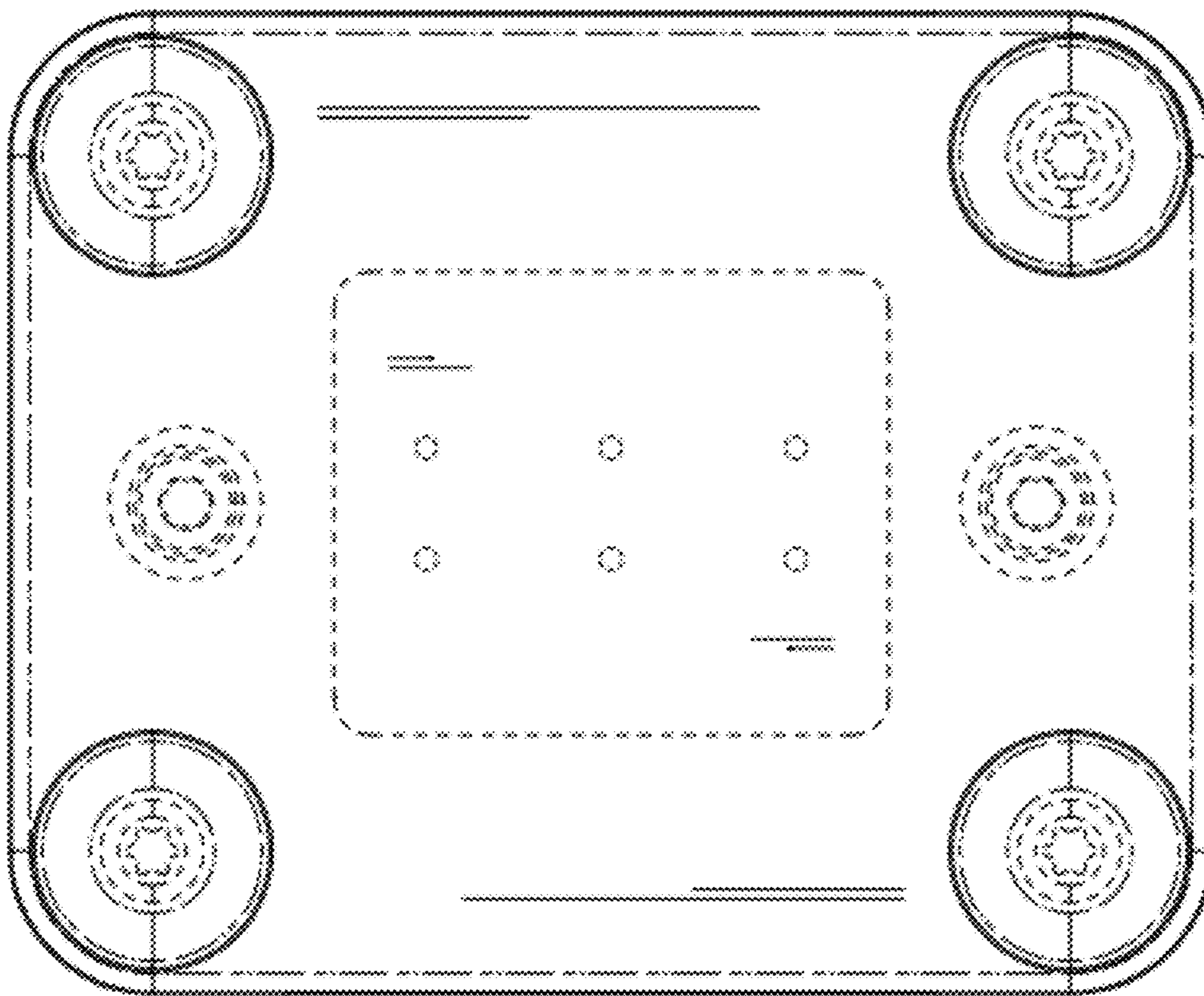


FIG. 9