



US00D668978S

(12) **United States Design Patent**
Kawaguchi et al.

(10) **Patent No.:** **US D668,978 S**
(45) **Date of Patent:** **** Oct. 16, 2012**

(54) **CURRENT SENSOR**

(75) Inventors: **Yasunori Kawaguchi**, Shimada (JP);
Toshirou Mochizuki, Shimada (JP)

(73) Assignee: **Yazaki Corporation**, Tokyo (JP)

(**) Term: **14 Years**

(21) Appl. No.: **29/368,710**

(22) Filed: **Aug. 27, 2010**

(30) **Foreign Application Priority Data**

Mar. 1, 2010 (JP) 2010-004803

(51) **LOC (9) Cl.** **10-04**

(52) **U.S. Cl.** **D10/75**

(58) **Field of Classification Search** D10/75,
D10/78; 324/117 H, 117 R
See application file for complete search history.

(56) **References Cited**

U.S. PATENT DOCUMENTS

D494,028 S * 8/2004 Stout D8/14
D505,870 S * 6/2005 Vuillermoz D10/75
D600,576 S * 9/2009 Marcoz D10/75
2012/0032667 A1* 2/2012 Sakamoto et al. 324/126

* cited by examiner

Primary Examiner — Antoine D Davis

(74) *Attorney, Agent, or Firm* — Sughrue Mion, PLLC

(57) **CLAIM**

The ornamental design for a current sensor, as shown and described.

DESCRIPTION

FIG. 1 is a perspective view of the top, front and right side of a current sensor showing our new design of an embodiment; FIG. 2 is a front view thereof; FIG. 3 is a rear view thereof; FIG. 4 is a top plan view thereof; FIG. 5 is a right side view thereof; FIG. 6 is a left side view thereof; and, FIG. 7 is a perspective reference view of usage.

The broken line showing of structural features is included for the purpose of illustrating non-claimed subject matter and forms no part of the claimed design.

1 Claim, 6 Drawing Sheets

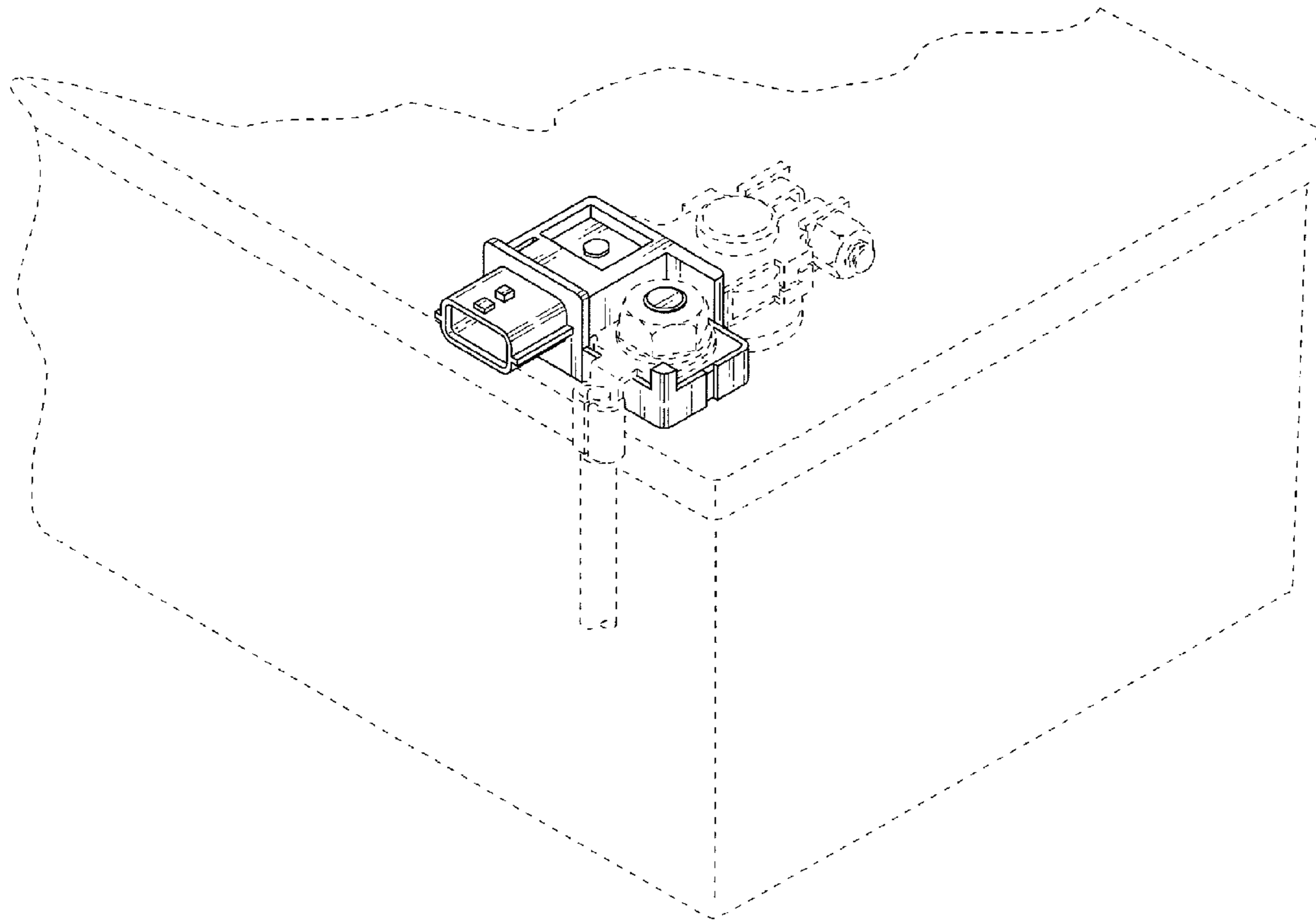


FIG.1

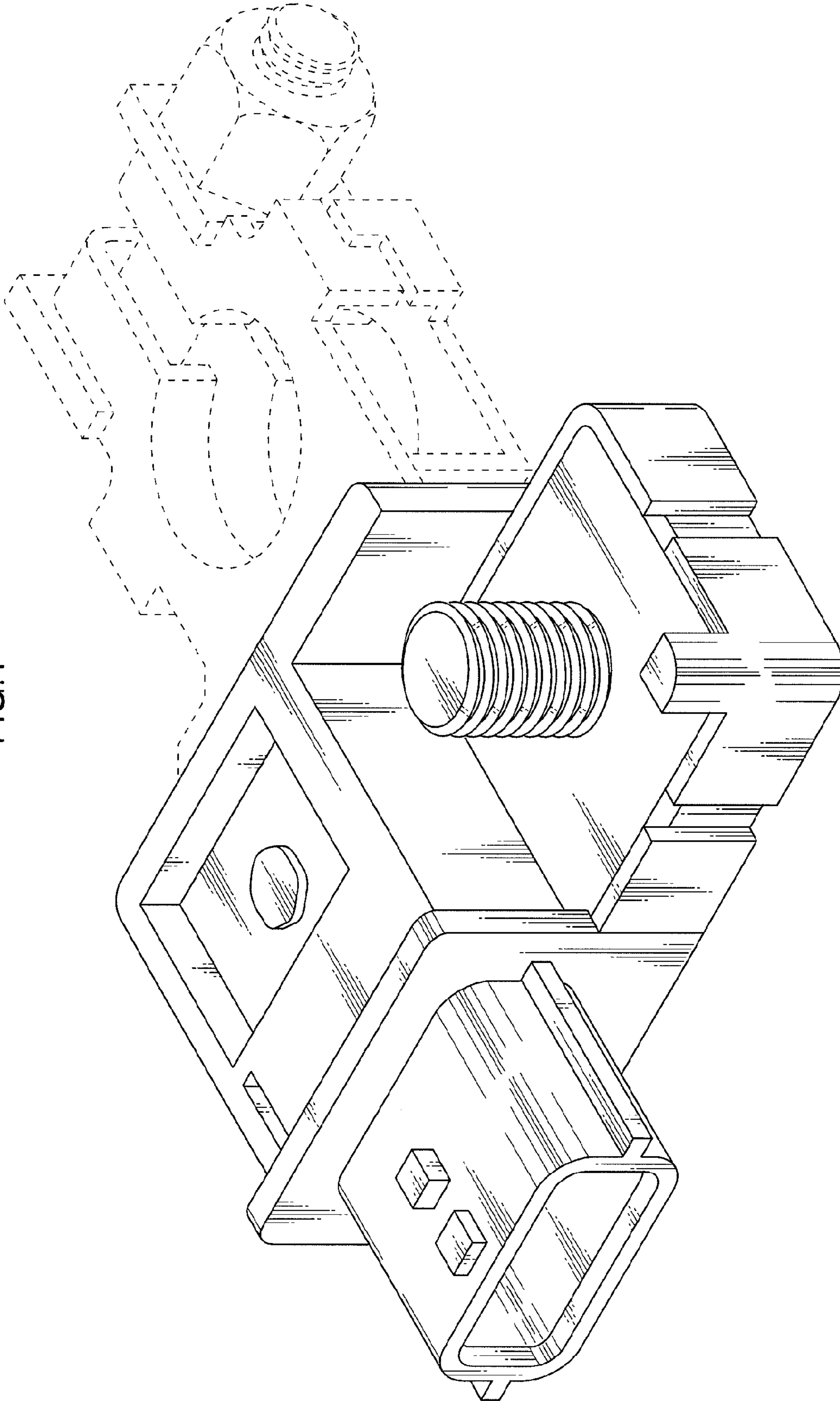


FIG.2

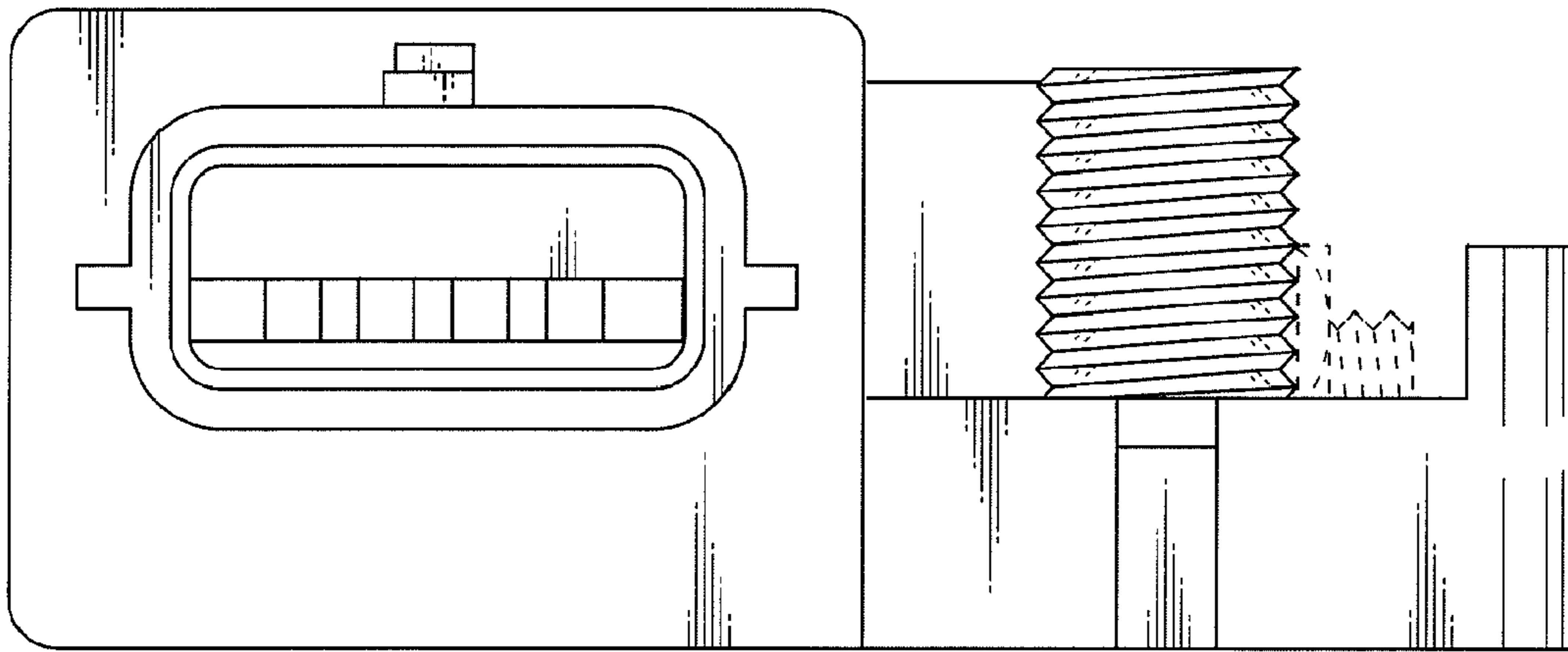


FIG.3

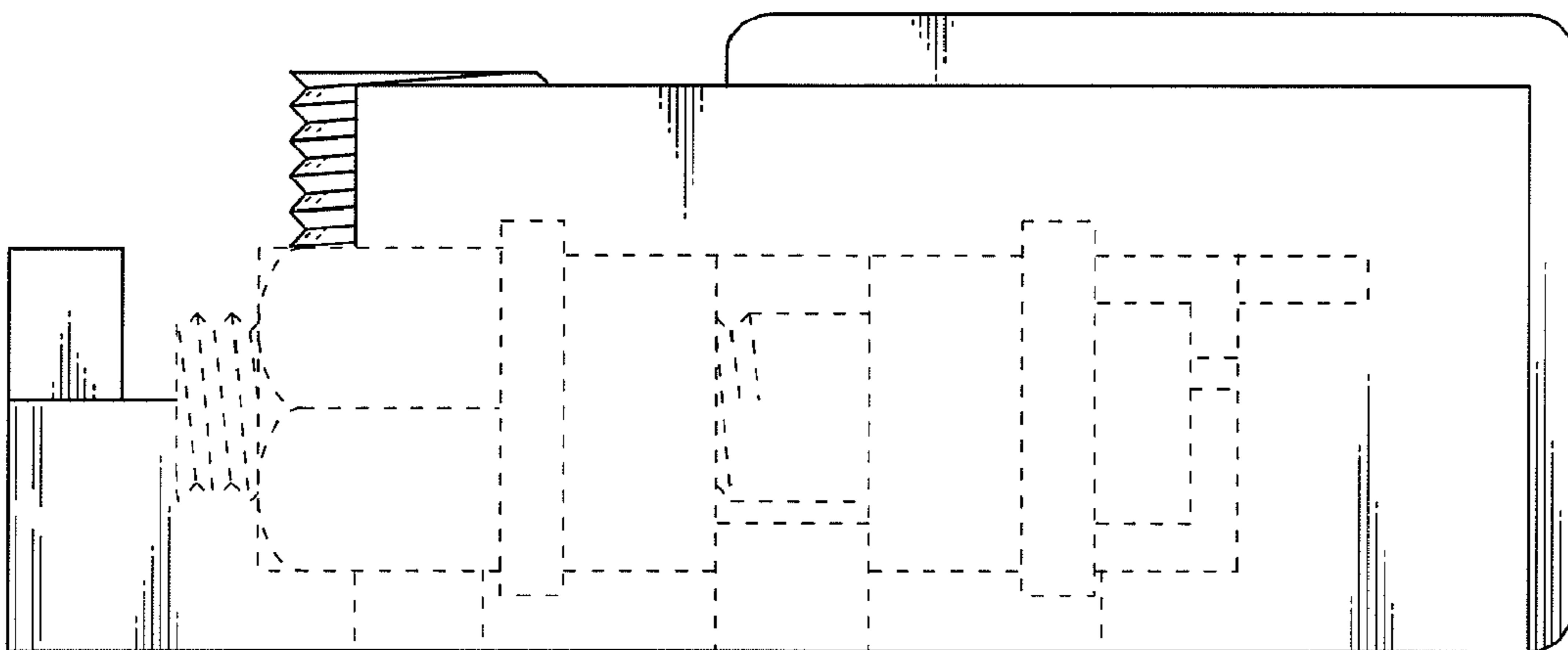


FIG.4

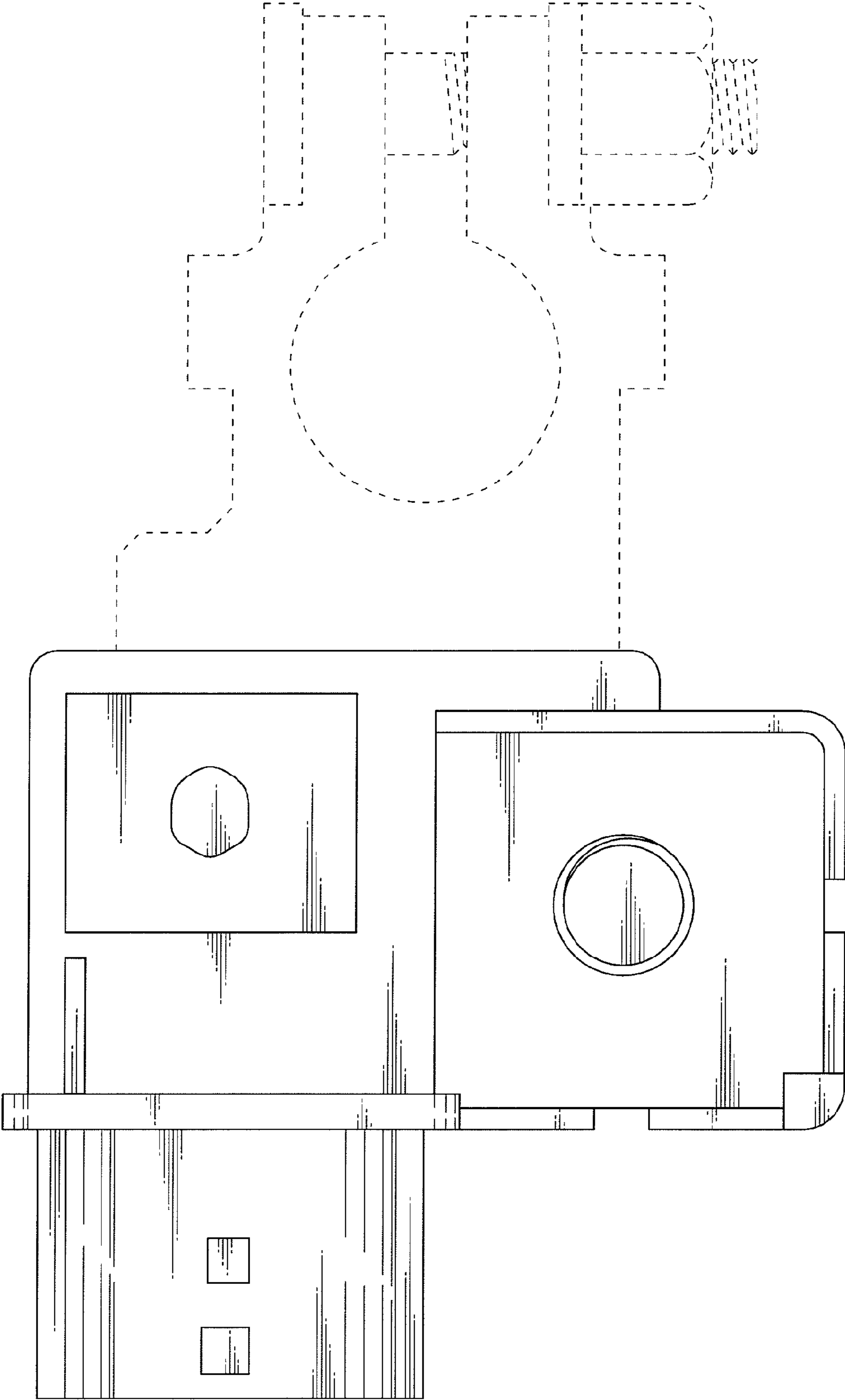


FIG. 5

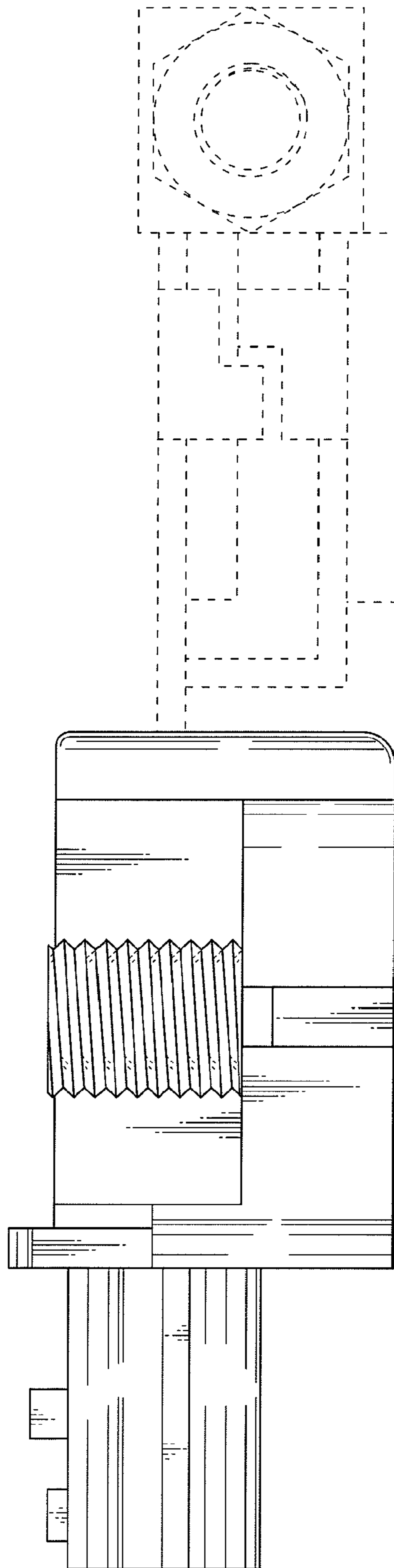


FIG. 6

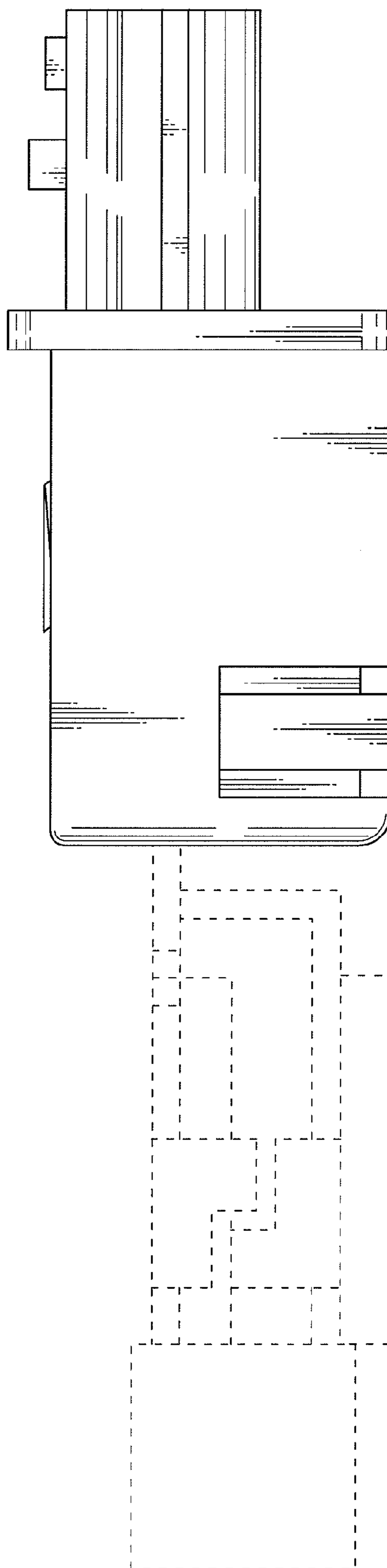


FIG. 7

