



US00D668977S

(12) **United States Design Patent**
Huang

(10) **Patent No.:** **US D668,977 S**
(45) **Date of Patent:** **** Oct. 16, 2012**

(54) **HOOK FOR TAPE RULE**

(75) Inventor: **Jason Huang**, Taipei (TW)

(73) Assignee: **Index Measuring Tape Co., Ltd.**, Taipei (TW)

(**) Term: **14 Years**

(21) Appl. No.: **29/407,303**

(22) Filed: **Nov. 28, 2011**

(51) **LOC (9) Cl.** **10-04**

(52) **U.S. Cl.** **D10/74**

(58) **Field of Classification Search** D10/72,
D10/74; D8/394-395; 33/42, 486, 755-770
See application file for complete search history.

(56) **References Cited**

U.S. PATENT DOCUMENTS

D408,305 S *	4/1999	Li	D10/72
D421,231 S *	2/2000	Hsu	D10/72
D423,379 S *	4/2000	Andersen, Jr.	D10/72
D438,128 S *	2/2001	Knight et al.	D10/72
D448,688 S *	10/2001	Li	D10/72
D449,546 S *	10/2001	Lee	D10/72
D451,041 S *	11/2001	Chen	D10/74
D453,302 S *	2/2002	Liu	D10/72
D456,727 S *	5/2002	Yang	D10/72

D457,449 S *	5/2002	Hsu	D10/72
D459,252 S *	6/2002	Radivojevic et al.	D10/72
D459,253 S *	6/2002	von Wedemeyer	D10/72
D476,585 S *	7/2003	Hsu	D10/72
D486,407 S *	2/2004	Hsu	D10/72
D487,875 S *	3/2004	Wang	D10/72
D490,005 S *	5/2004	Hsu	D10/72
D507,197 S *	7/2005	Sun	D10/72
6,971,185 B2 *	12/2005	Scarborough	33/765
D653,972 S *	2/2012	Robinson et al.	D10/72
2011/0138644 A1 *	6/2011	Smith	33/767

* cited by examiner

Primary Examiner — Antoine D Davis

(74) *Attorney, Agent, or Firm* — Bacon & Thomas, PLLC

(57) **CLAIM**

The ornamental design for a hook for tape rule, as shown and described.

DESCRIPTION

FIG. 1 is an elevational view of a hook for tape rule showing my new design;

FIG. 2 is a front elevational view thereof;

FIG. 3 is the rear elevational view thereof;

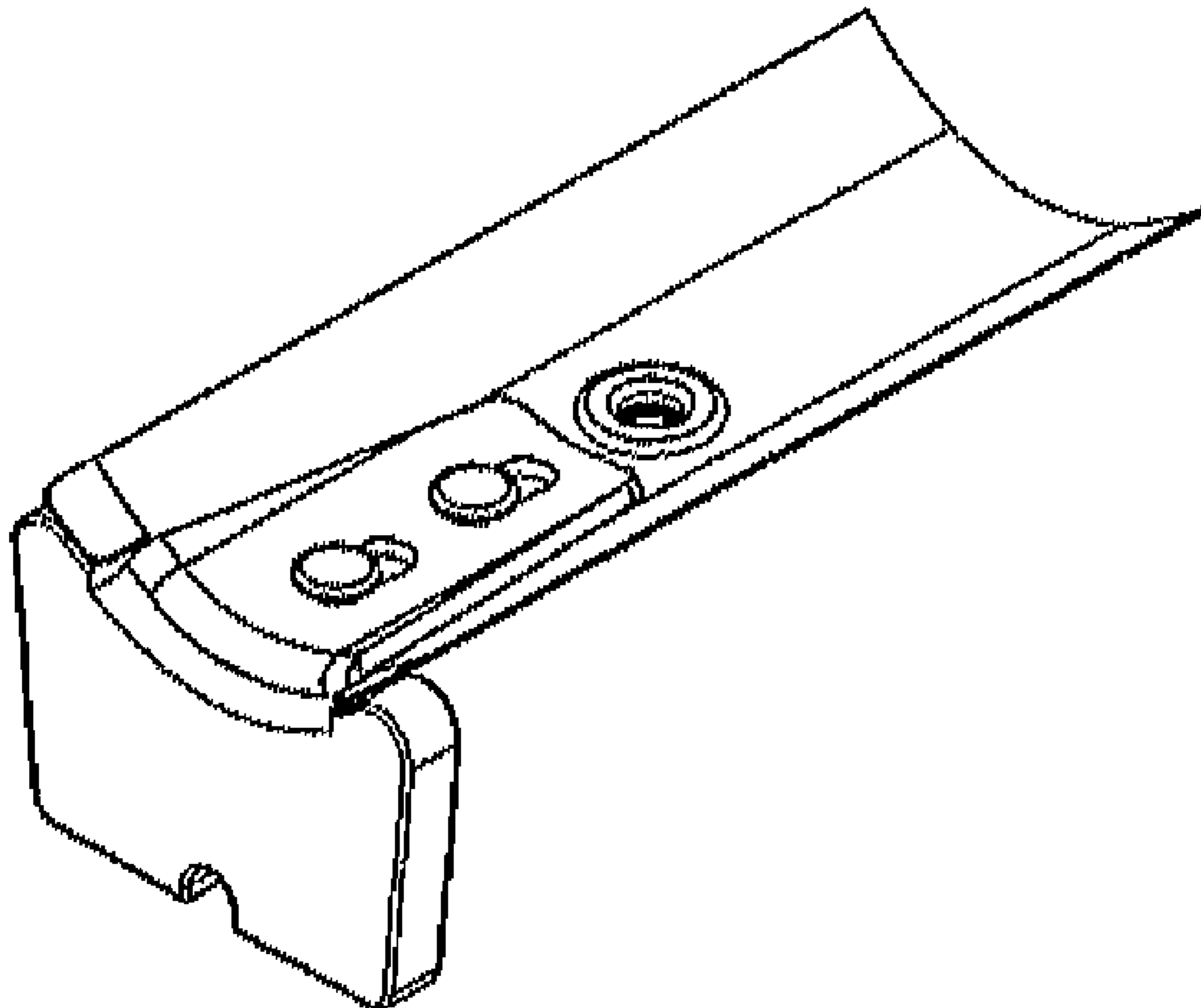
FIG. 4 is a left side elevational view thereof;

FIG. 5 is a right side elevational view thereof;

FIG. 6 is a top plan elevational view thereof; and,

FIG. 7 is a bottom plan elevational view thereof.

1 Claim, 4 Drawing Sheets



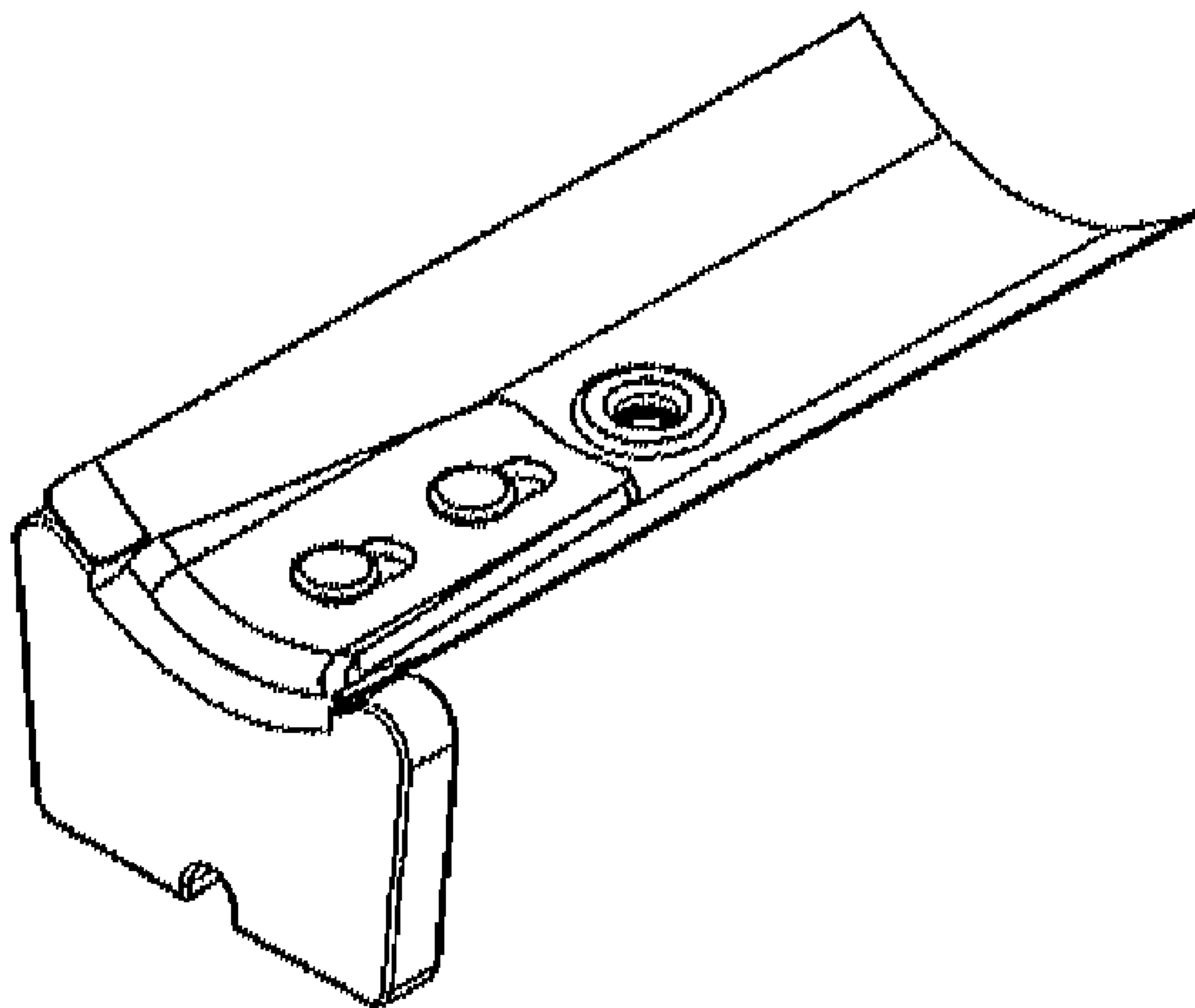


FIG. 1

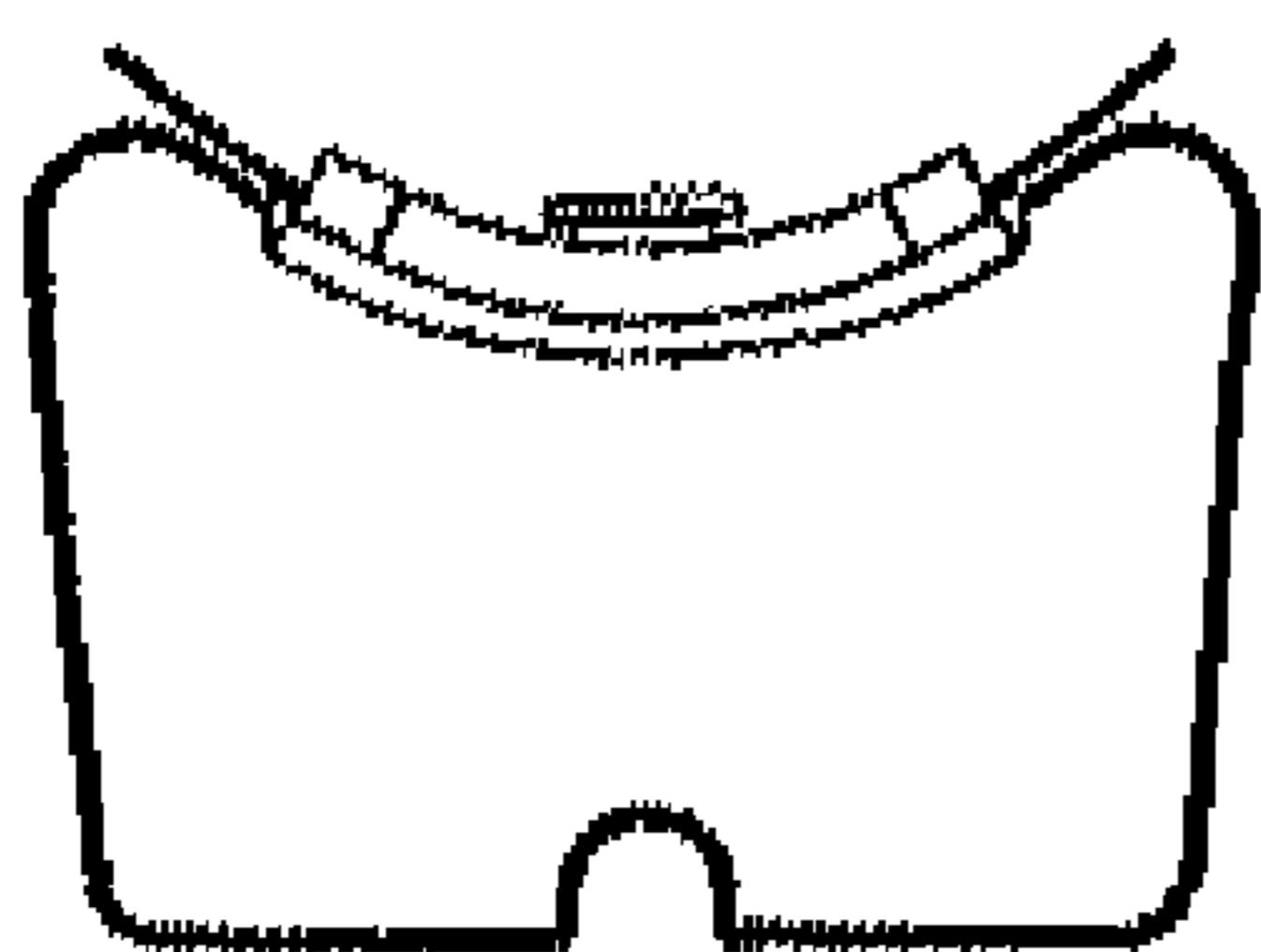


FIG. 2

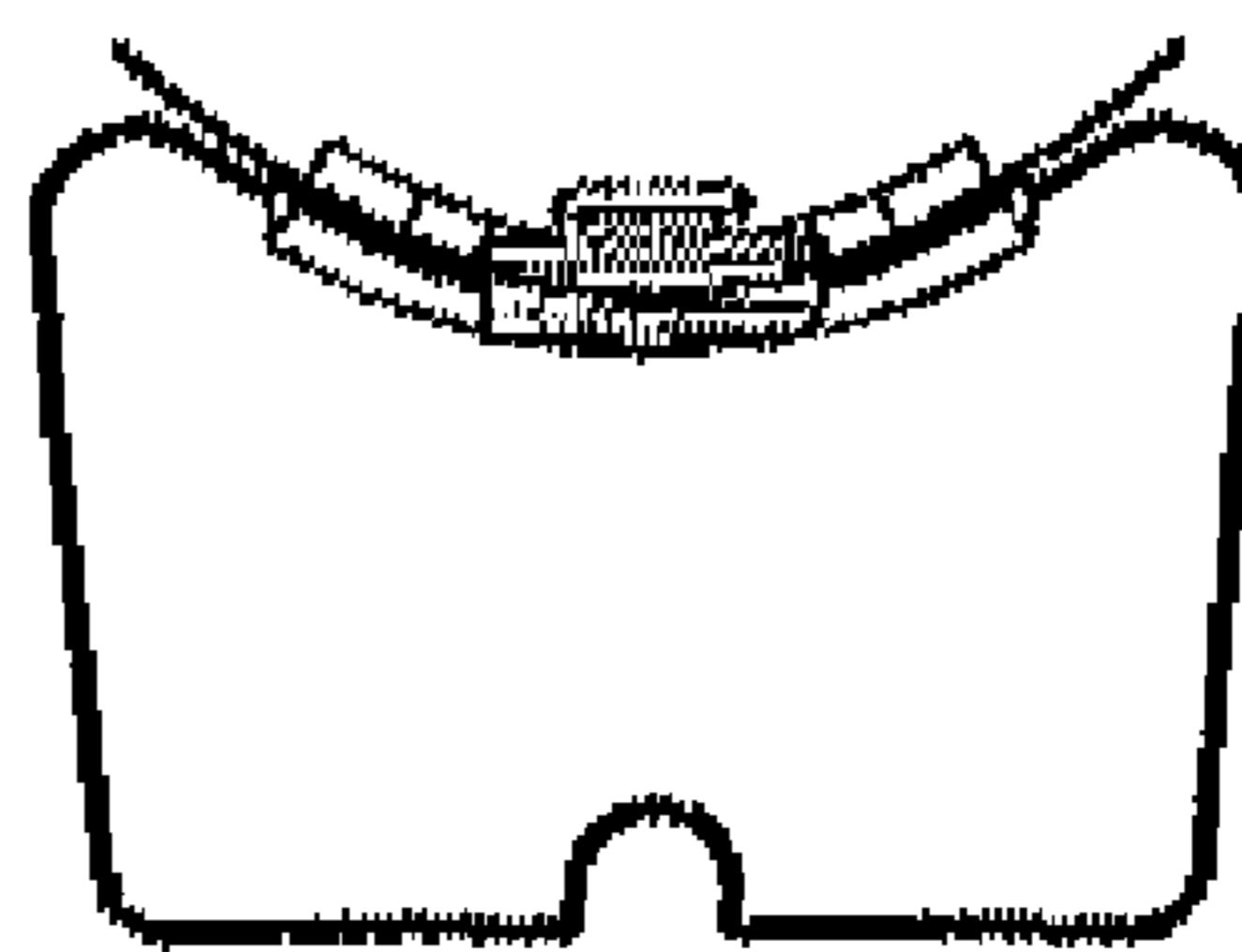


FIG. 3

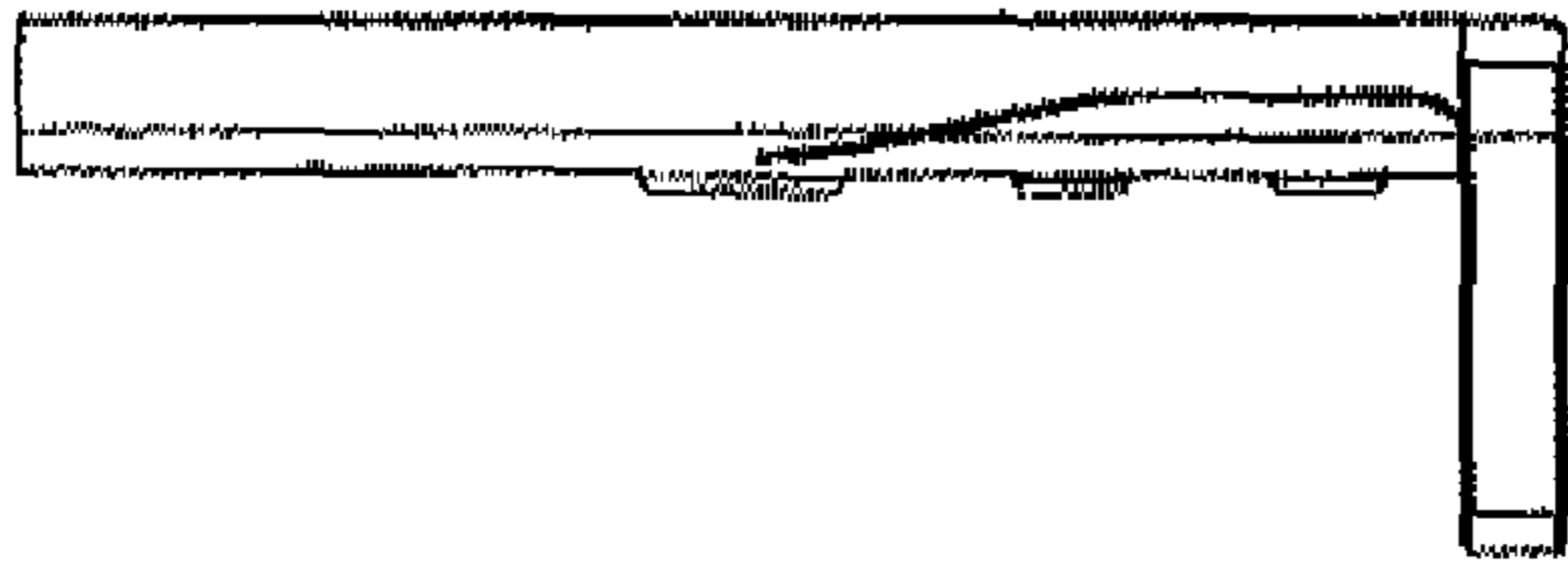


FIG. 4

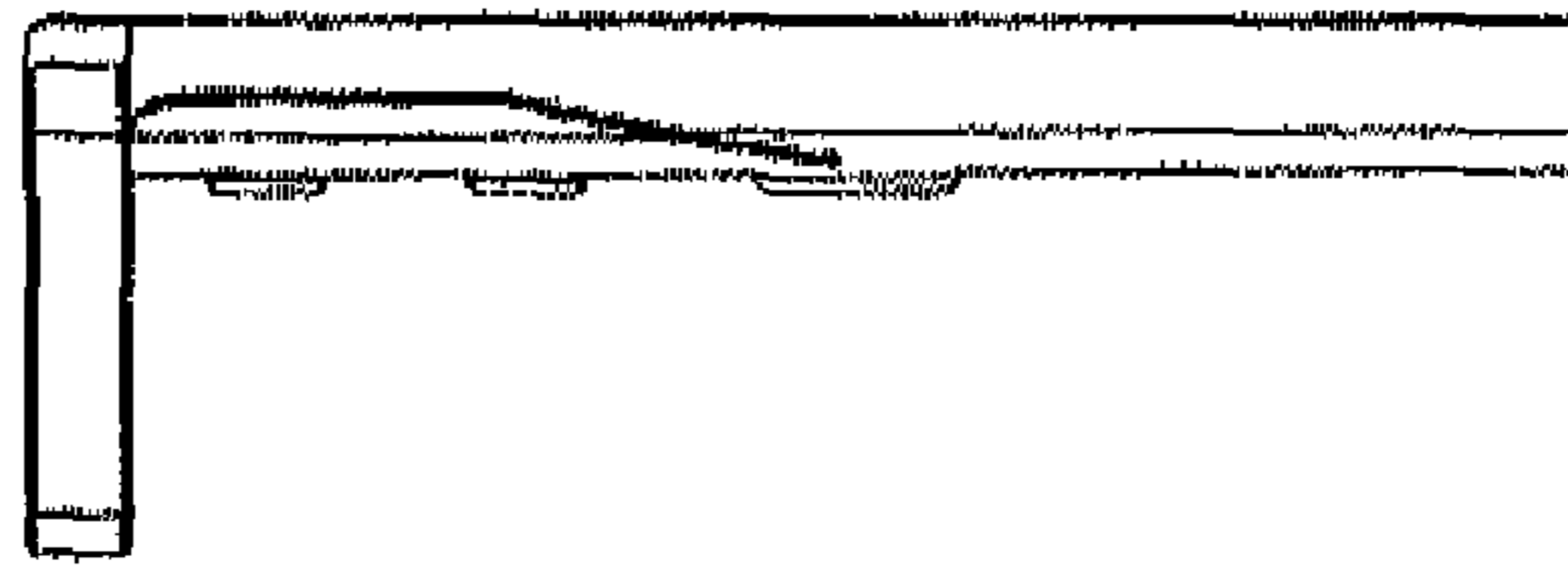


FIG. 5

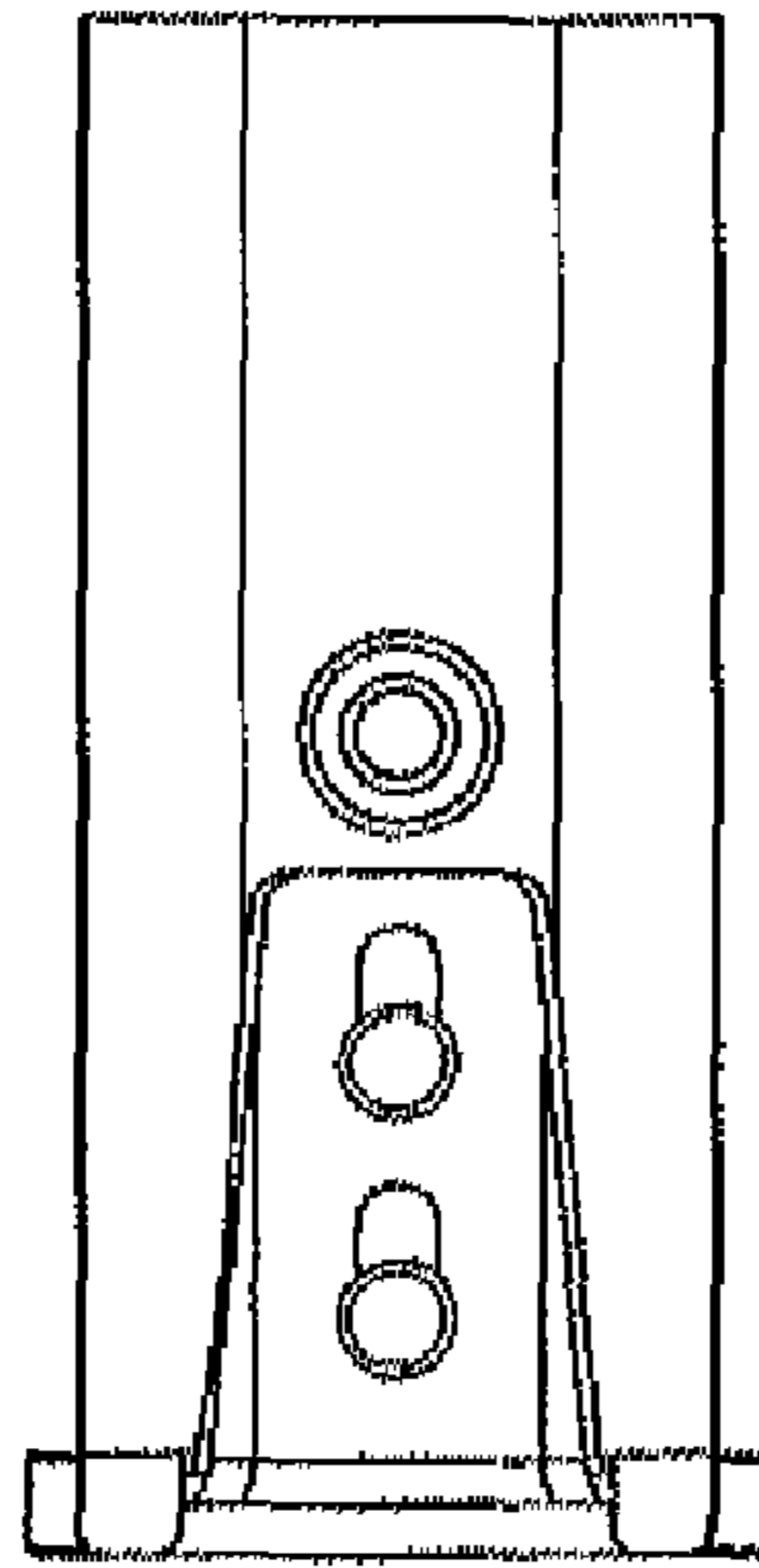


FIG. 6

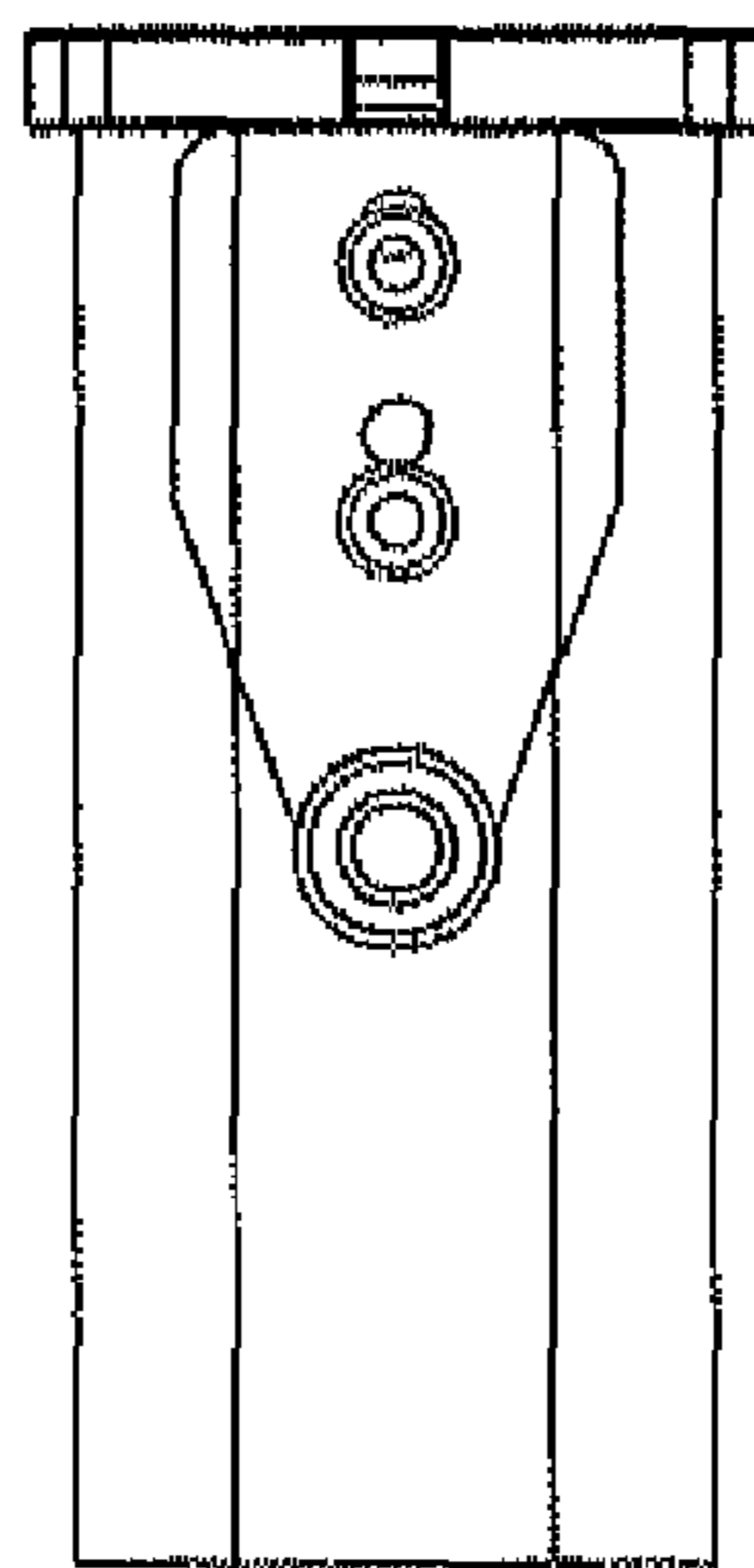


FIG. 7