

US00D668976S

(12) **United States Design Patent**
Stilz

(10) **Patent No.:** **US D668,976 S**

(45) **Date of Patent:** **** Oct. 16, 2012**

(54) **LASER MEASURING DEVICE**

(75) **Inventor:** **Joachim Stilz, Bonn (DE)**

(73) **Assignee:** **Stabila Messgeraete Gustav Ullrich GmbH, Annweiler (DE)**

(**) **Term:** **14 Years**

(21) **Appl. No.:** **29/406,278**

(22) **Filed:** **Nov. 11, 2011**

(51) **LOC (9) Cl.** **10-04**

(52) **U.S. Cl.** **D10/70; D10/69; D10/78**

(58) **Field of Classification Search** **D10/69, D10/70, 78; 324/72.5, 556, 133, 149, 503, 324/543, 555, 66, 72, 754, 115, 141; 340/635, 340/687; 73/597, 615, 624, 627, 644; 356/3.01-5.15**

See application file for complete search history.

Primary Examiner — Antoine D Davis

(74) *Attorney, Agent, or Firm* — Dennison, Schultz & MacDonald

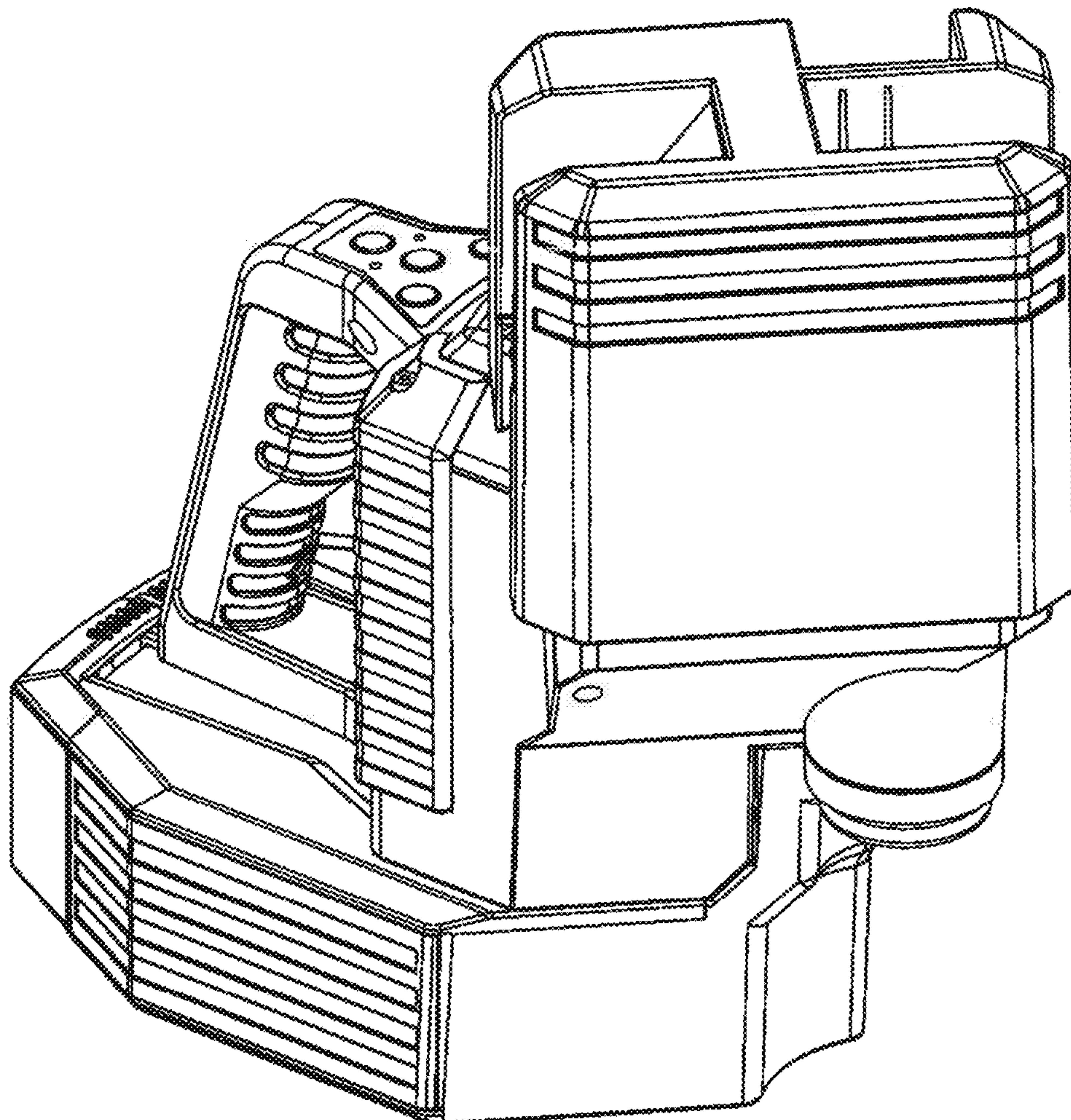
(57) **CLAIM**

The ornamental design for a laser measuring device, as shown and described.

DESCRIPTION

FIG. 1 is a right elevational view showing my new design; FIG. 2 is a front elevational view thereof; FIG. 3 is a left elevational view thereof; FIG. 4 is a rear elevational view thereof; FIG. 5 is a bottom plan view thereof; FIG. 6 is a top plan view thereof; FIG. 7 is a rear perspective view thereof; and, FIG. 8. is a front perspective view thereof.

1 Claim, 8 Drawing Sheets



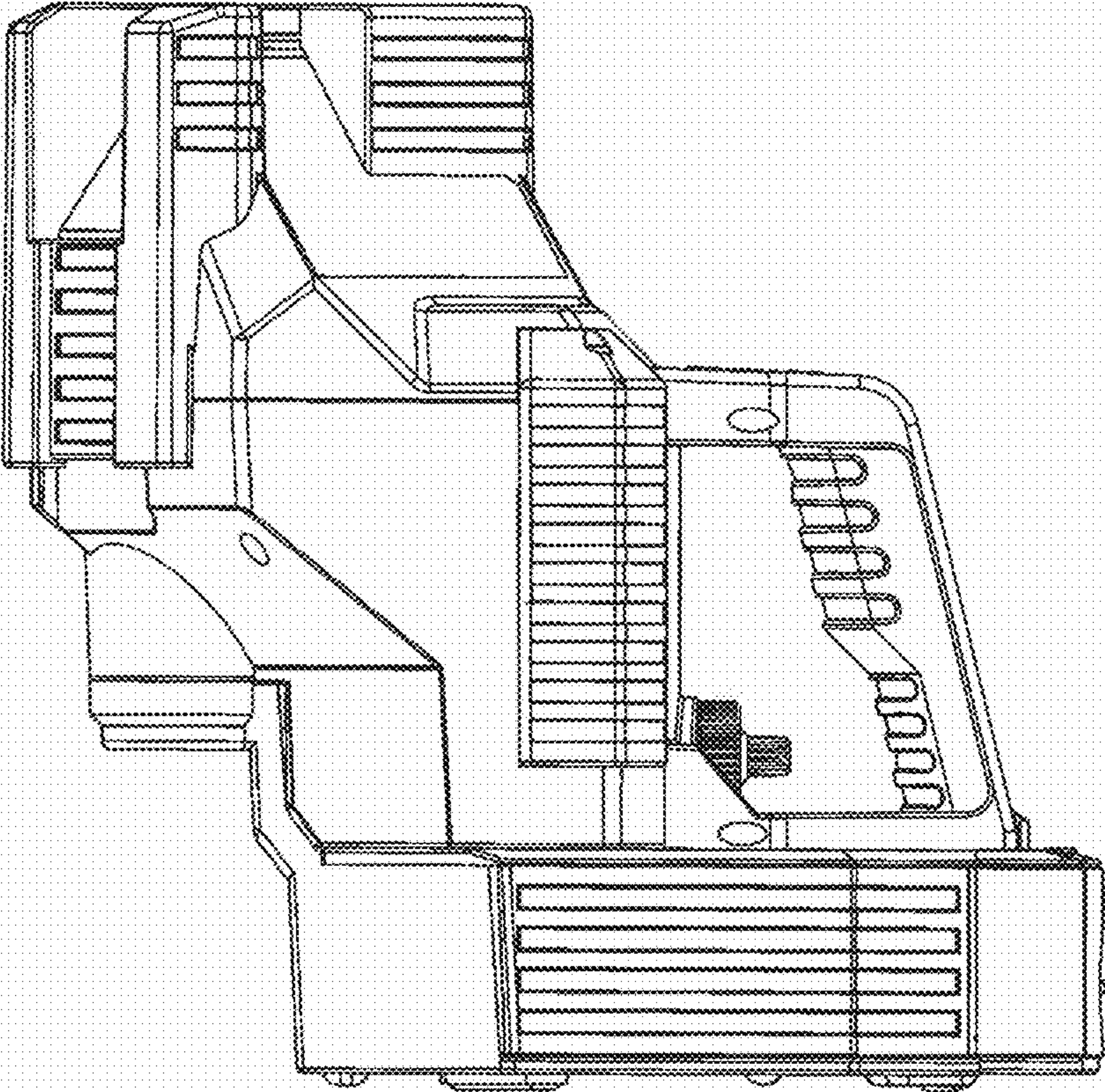


Fig. 1

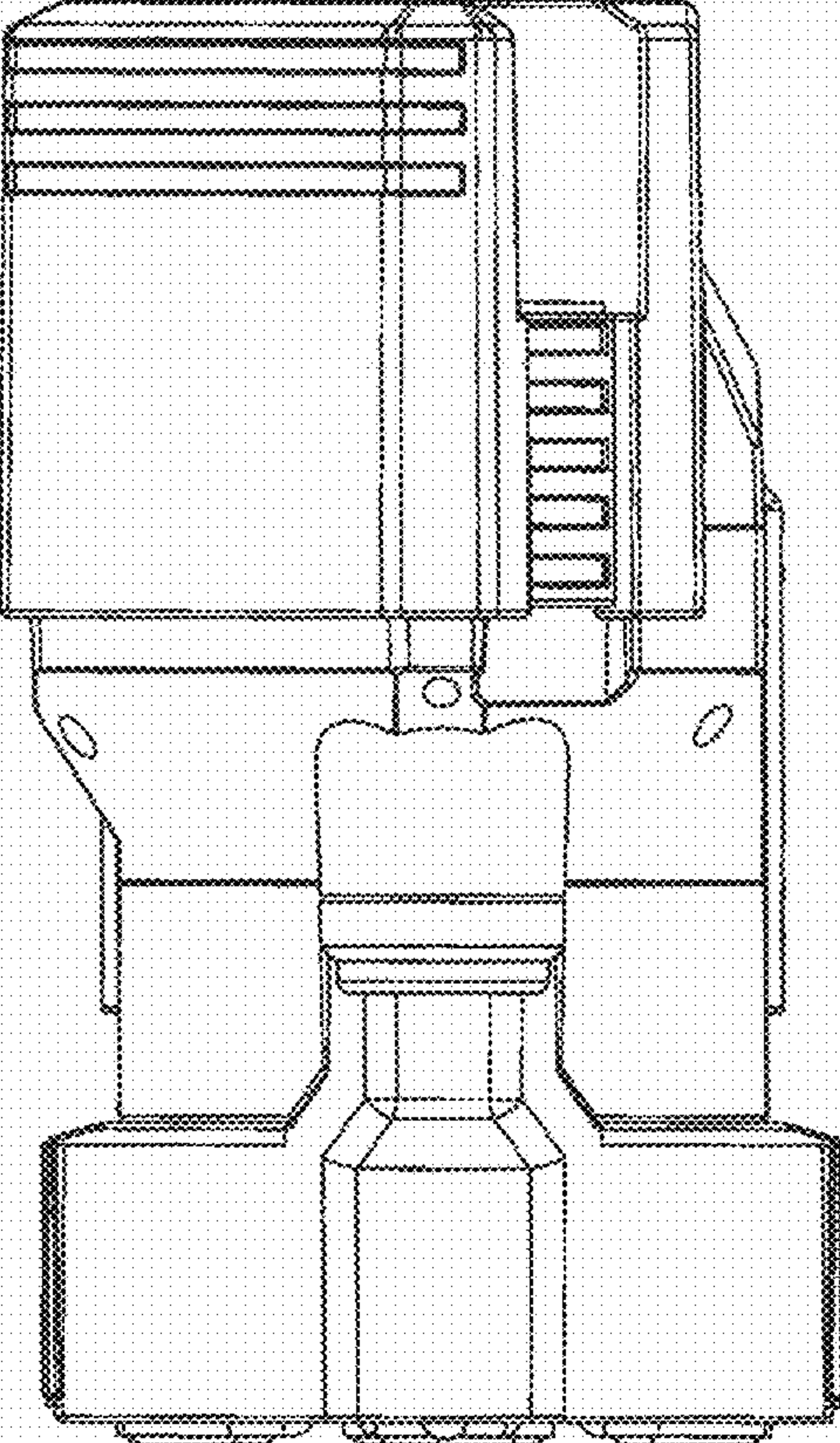


Fig. 2

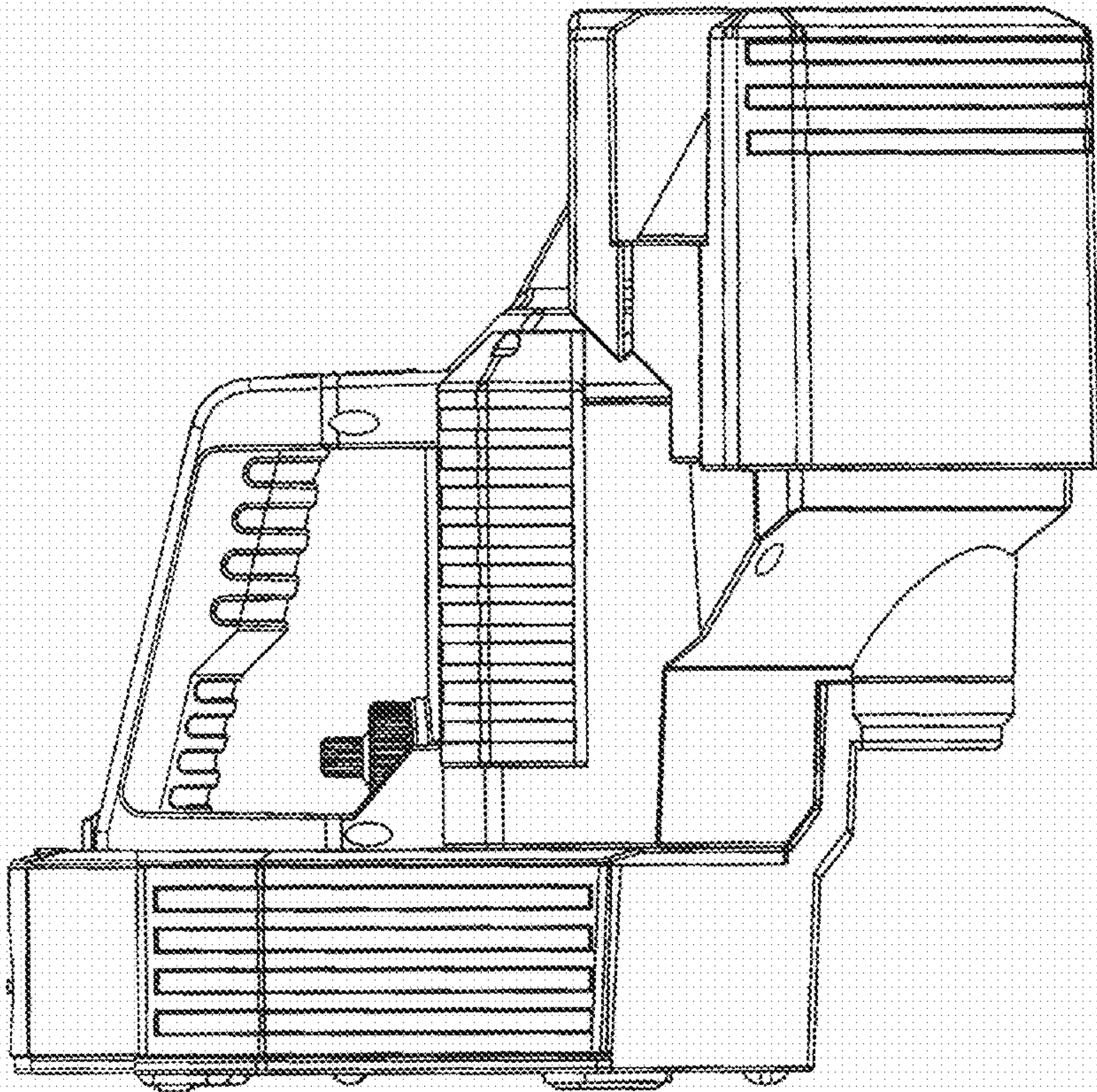


Fig. 3

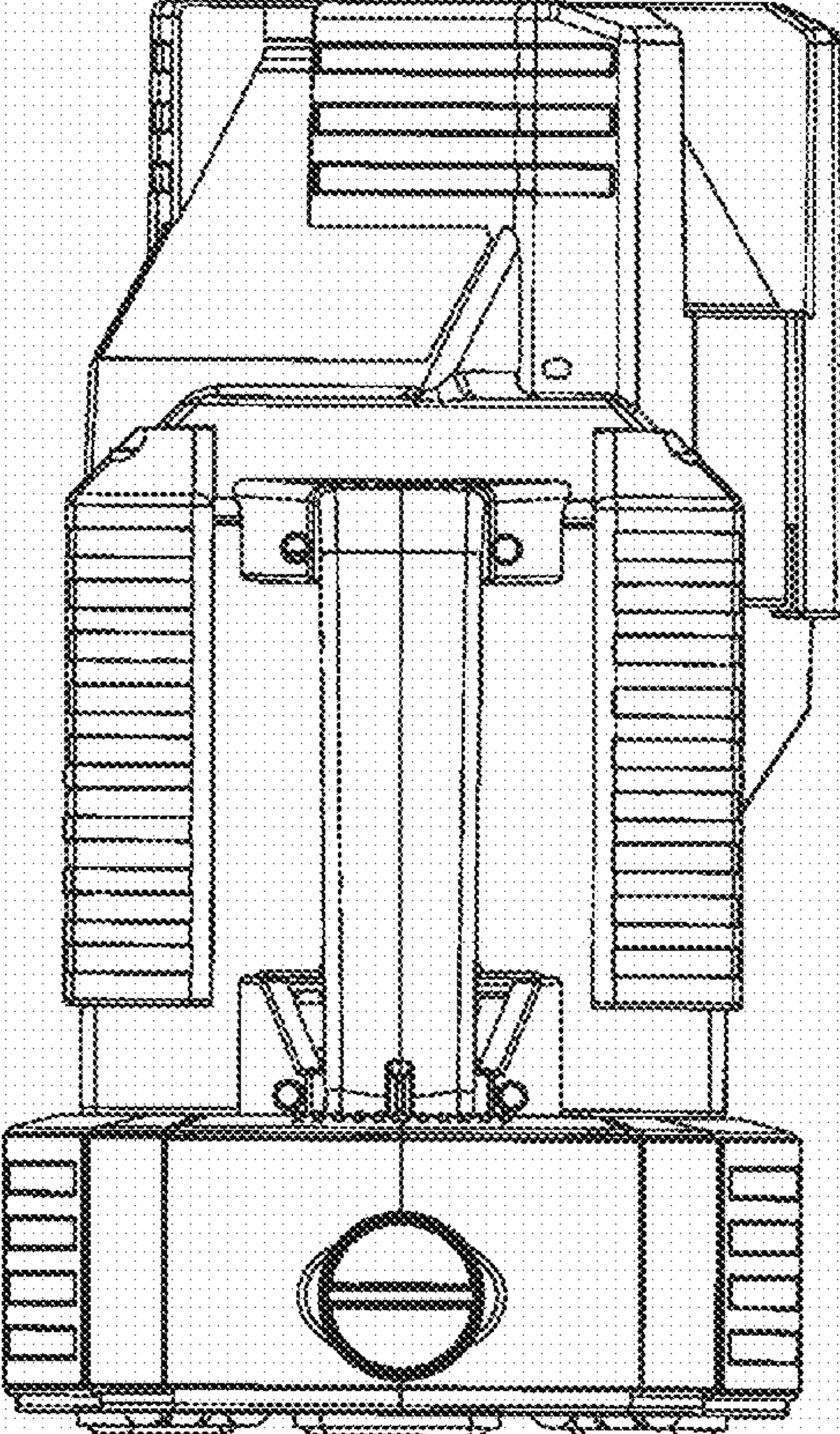


Fig. 4

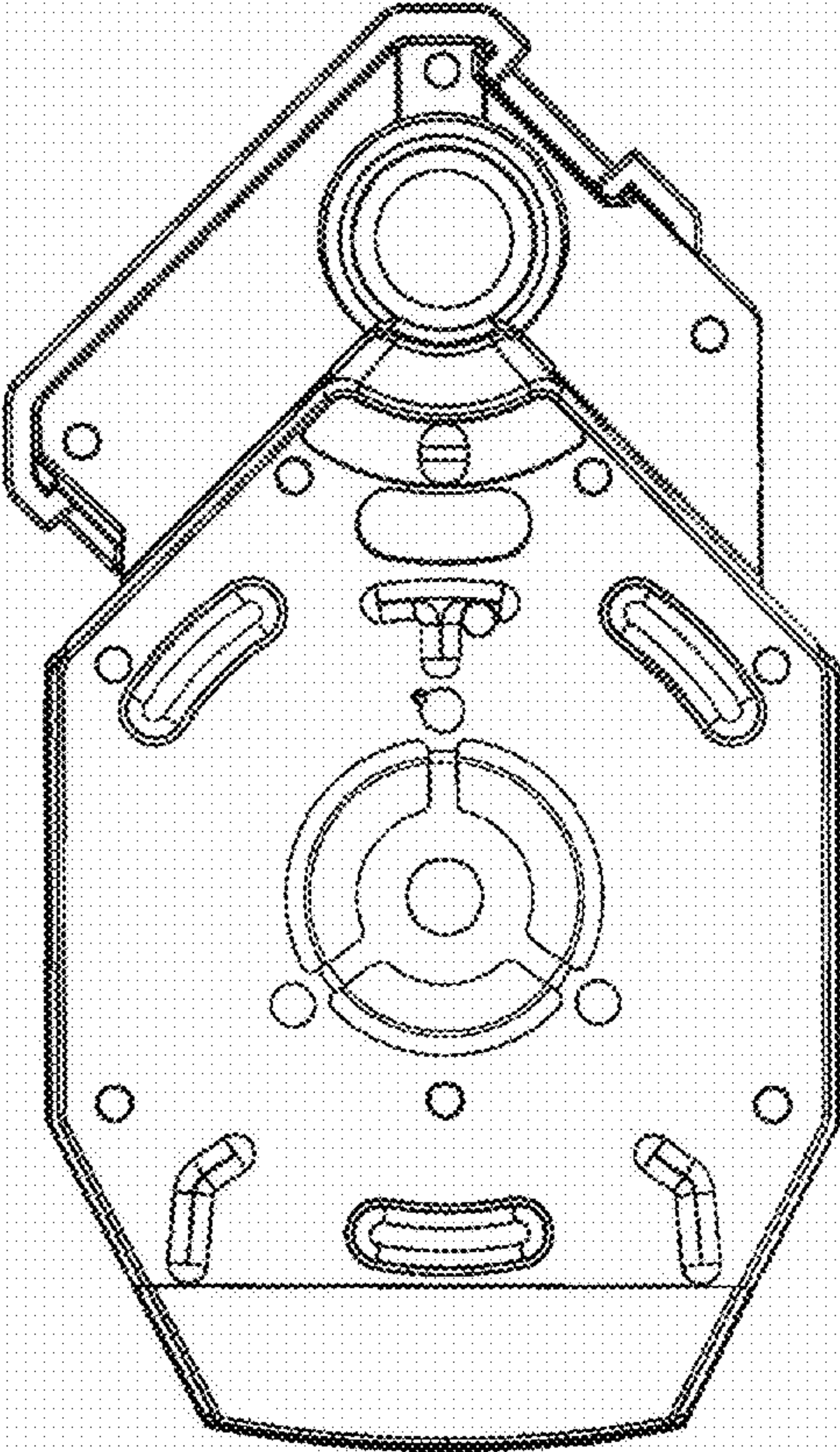


Fig. 5

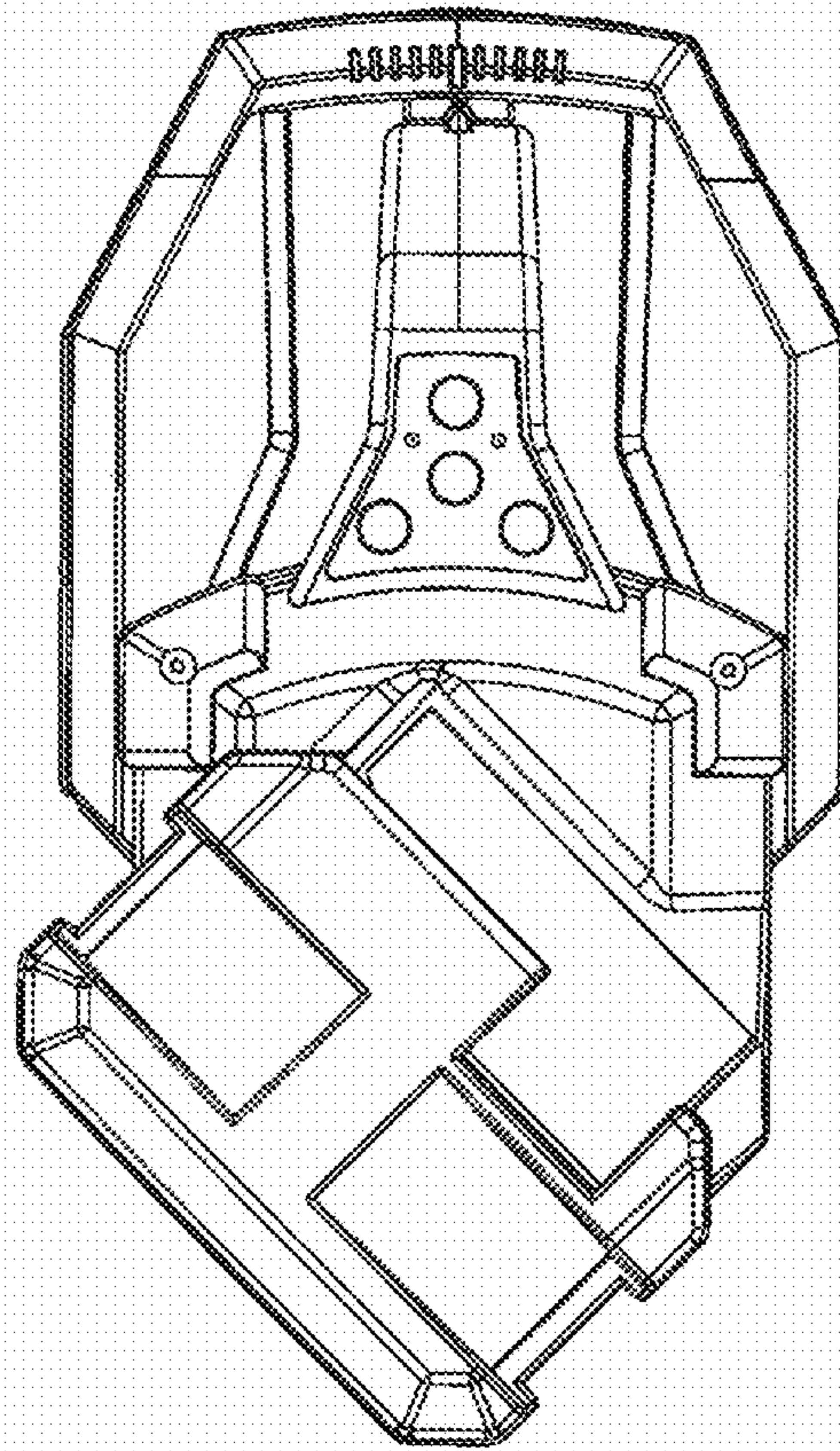


Fig. 6

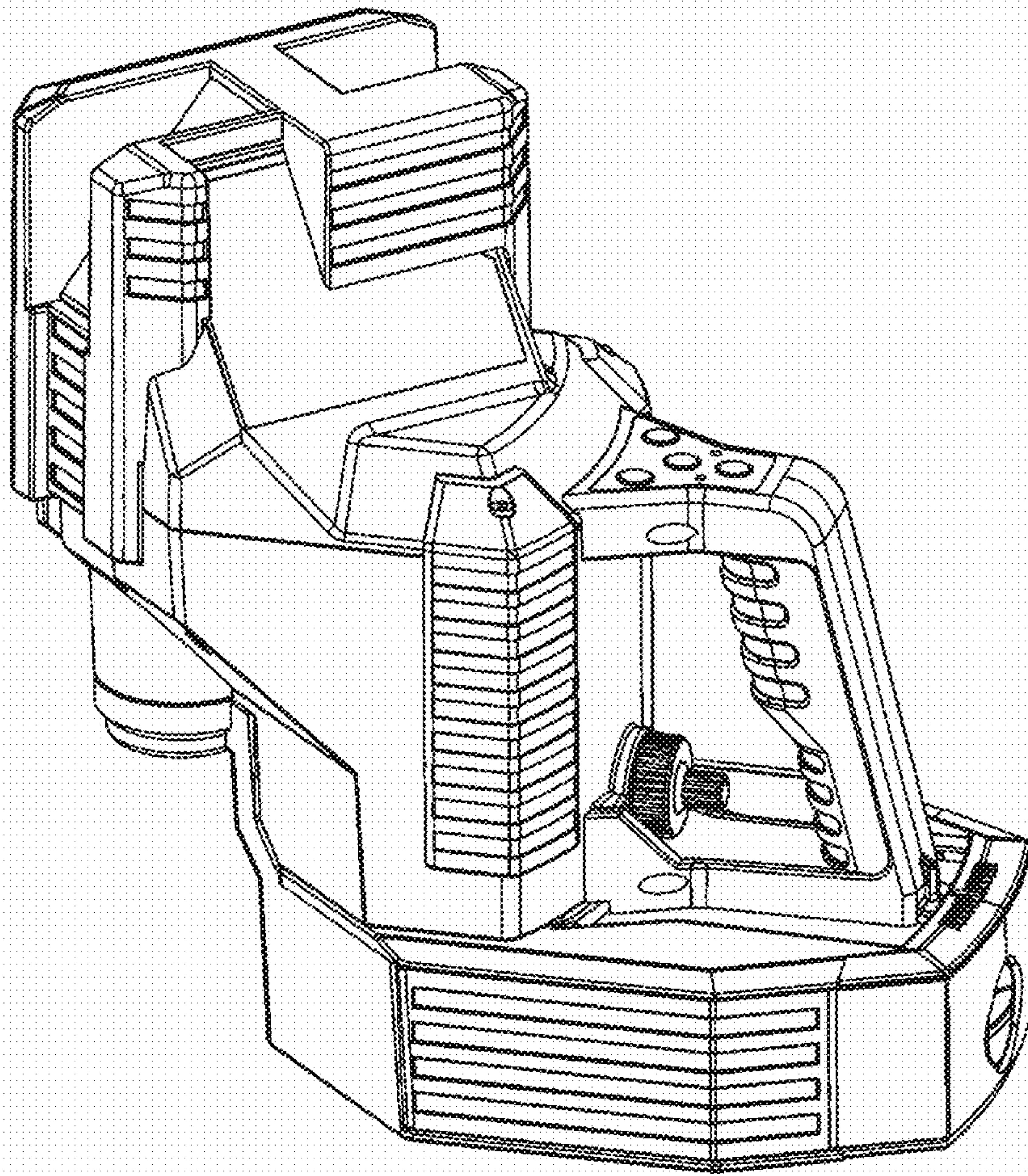


Fig. 7

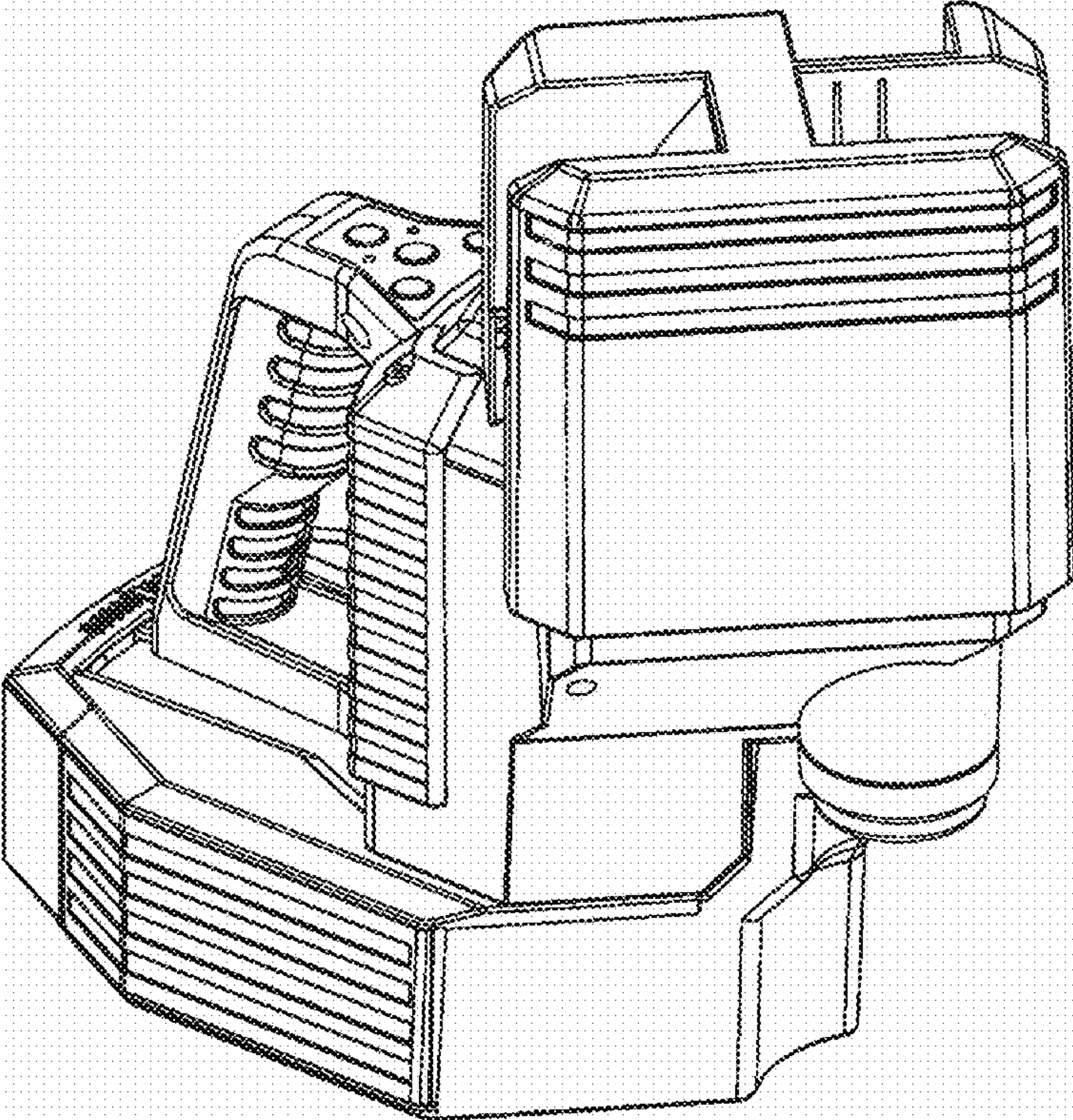


Fig. 8