



US00D668973S

(12) **United States Design Patent**
Chang et al.

(10) **Patent No.:** **US D668,973 S**
(45) **Date of Patent:** **** Oct. 16, 2012**

(54) **DIMENSION MEASURING APPARATUS WITH IMAGE**

(75) Inventors: **Chih-Kuang Chang**, Tu-Cheng (TW);
Pei Wang, Shenzhen (CN); **Zhi-Hui Luo**, Shenzhen (CN); **Wen-Dong Liu**, Shenzhen (CN)

(73) Assignee: **Hon Hai Precision Industry Co., Ltd.**, Tu-Cheng, New Taipei (TW)

(**) Term: **14 Years**

(21) Appl. No.: **29/391,050**

(22) Filed: **May 3, 2011**

(30) **Foreign Application Priority Data**

Dec. 31, 2010 (CN) 2010 3 0706187

(51) **LOC (9) Cl.** **10-04**

(52) **U.S. Cl.** **D10/63**

(58) **Field of Classification Search** D10/46,
D10/63; 33/501.02, 501.03, 503, 551, 559,
33/702, 704, 710

See application file for complete search history.

(56) **References Cited**

U.S. PATENT DOCUMENTS

7,587,840 B2 * 9/2009 Sakai et al. 33/702
D624,961 S * 10/2010 Arroyo D10/63

* cited by examiner

Primary Examiner — Antoine D Davis

(74) *Attorney, Agent, or Firm* — Altis Law Group, Inc.

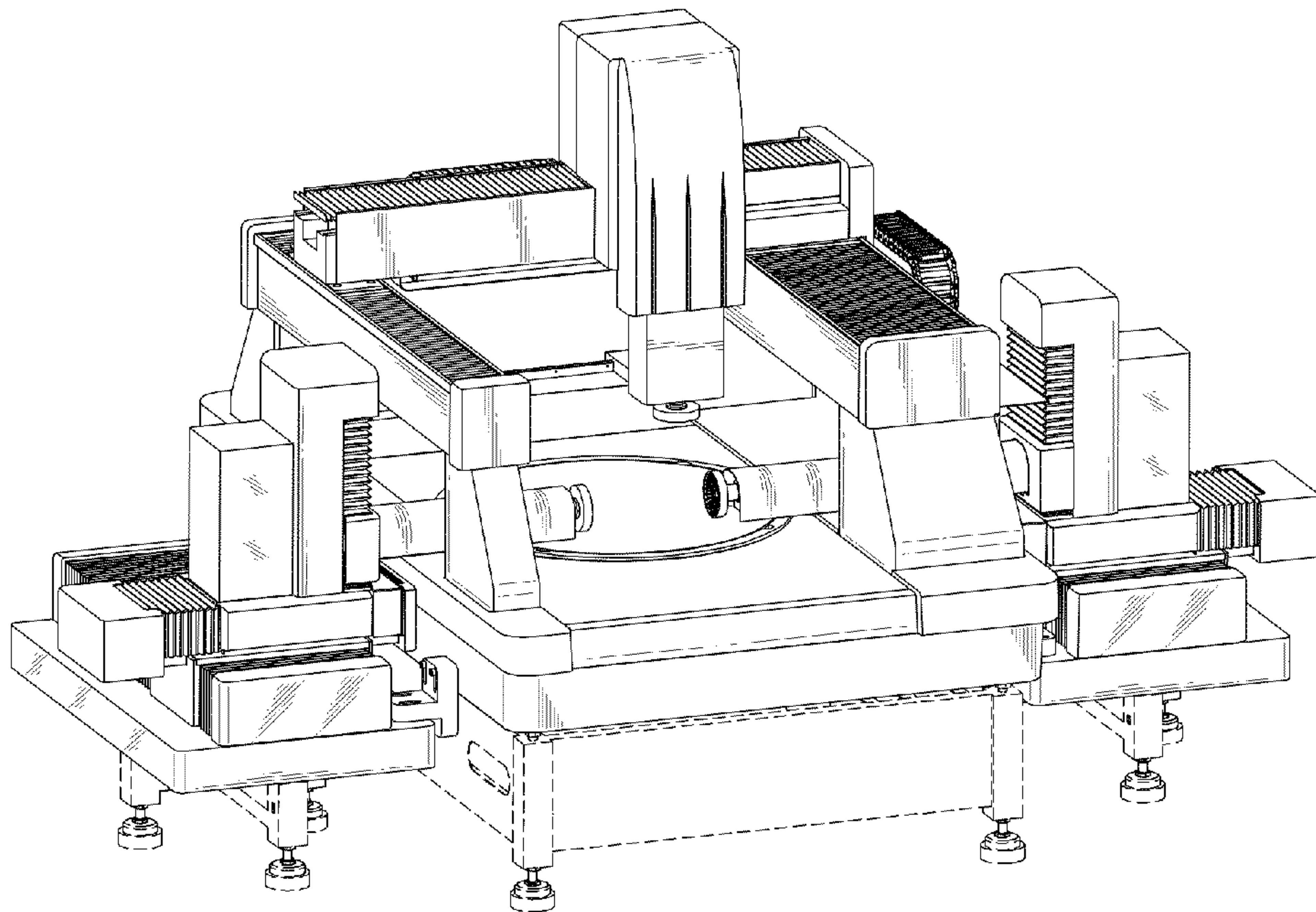
(57) **CLAIM**

The ornamental design for a dimension measuring apparatus with image, as shown and described.

DESCRIPTION

FIG. 1 is a perspective view of a dimension measuring apparatus with image showing our new design; FIG. 2 is a front elevational view thereof; FIG. 3 is a rear elevational view thereof; FIG. 4 is a left side elevational view thereof; FIG. 5 is a right side elevational view thereof; FIG. 6 is a top plan view thereof; and, FIG. 7 is a bottom plan view thereof. The broken lines of all the figures are for the purpose of illustrating environment and form no part of the claimed design.

1 Claim, 7 Drawing Sheets



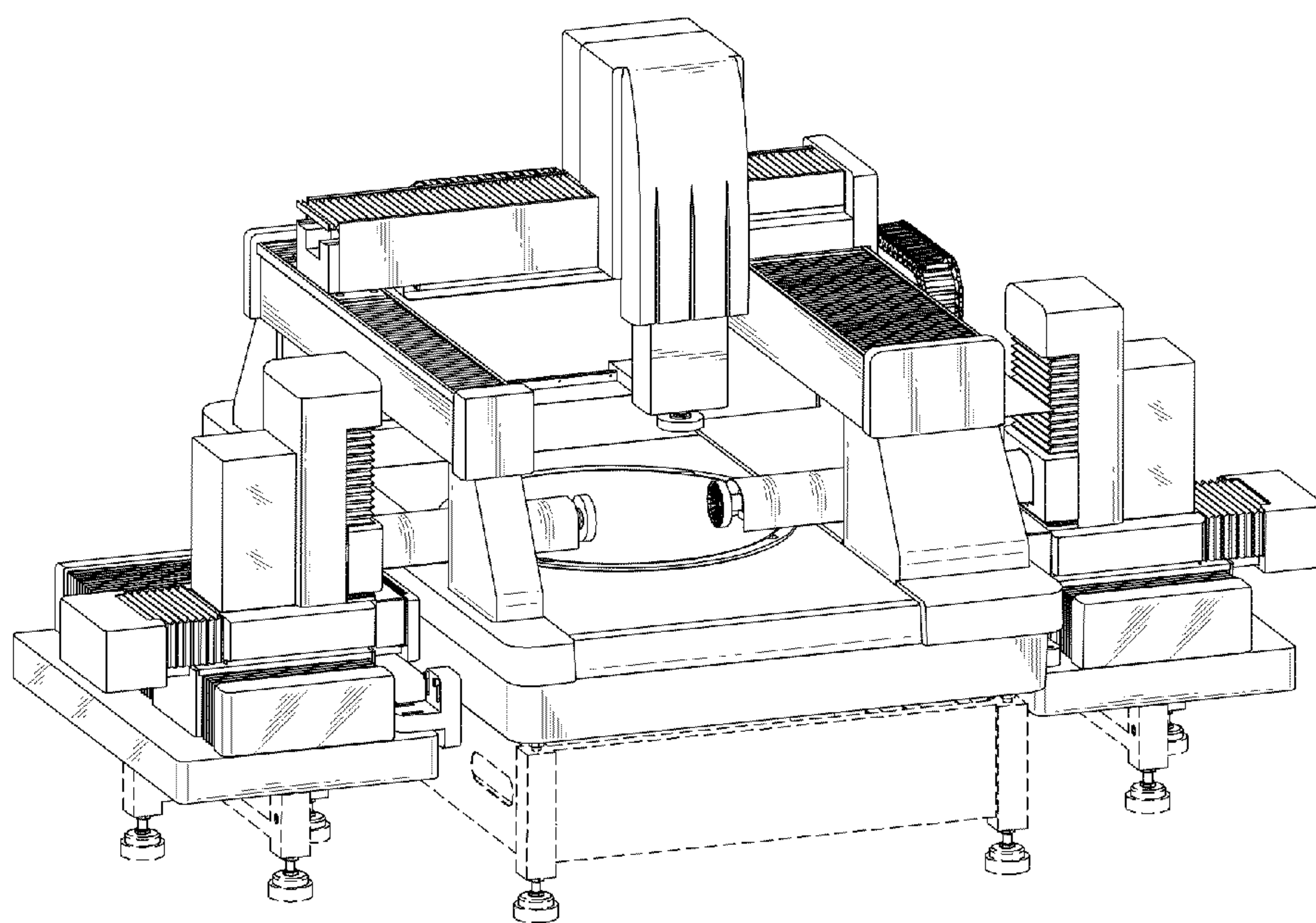


FIG. 1

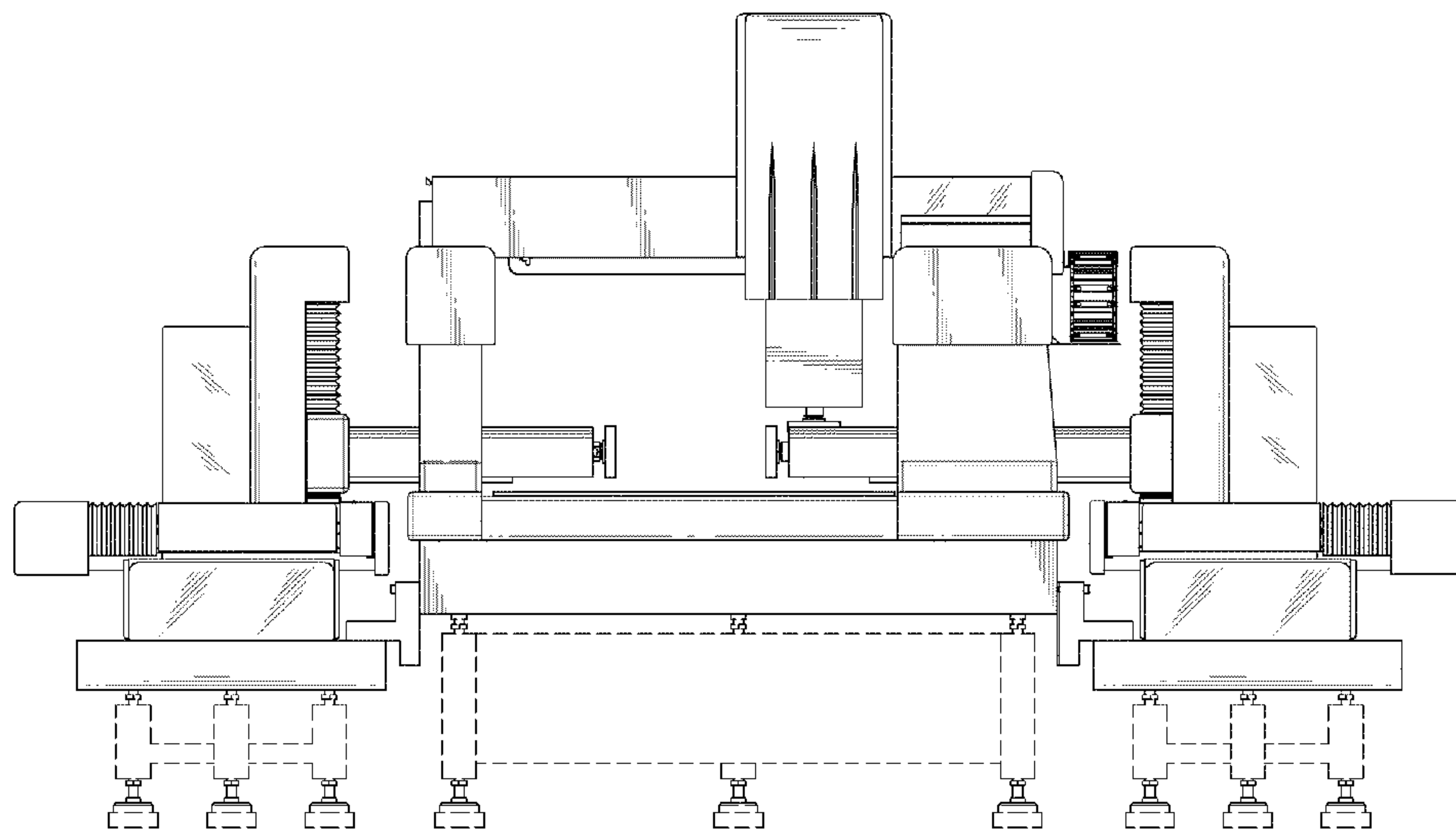


FIG. 2

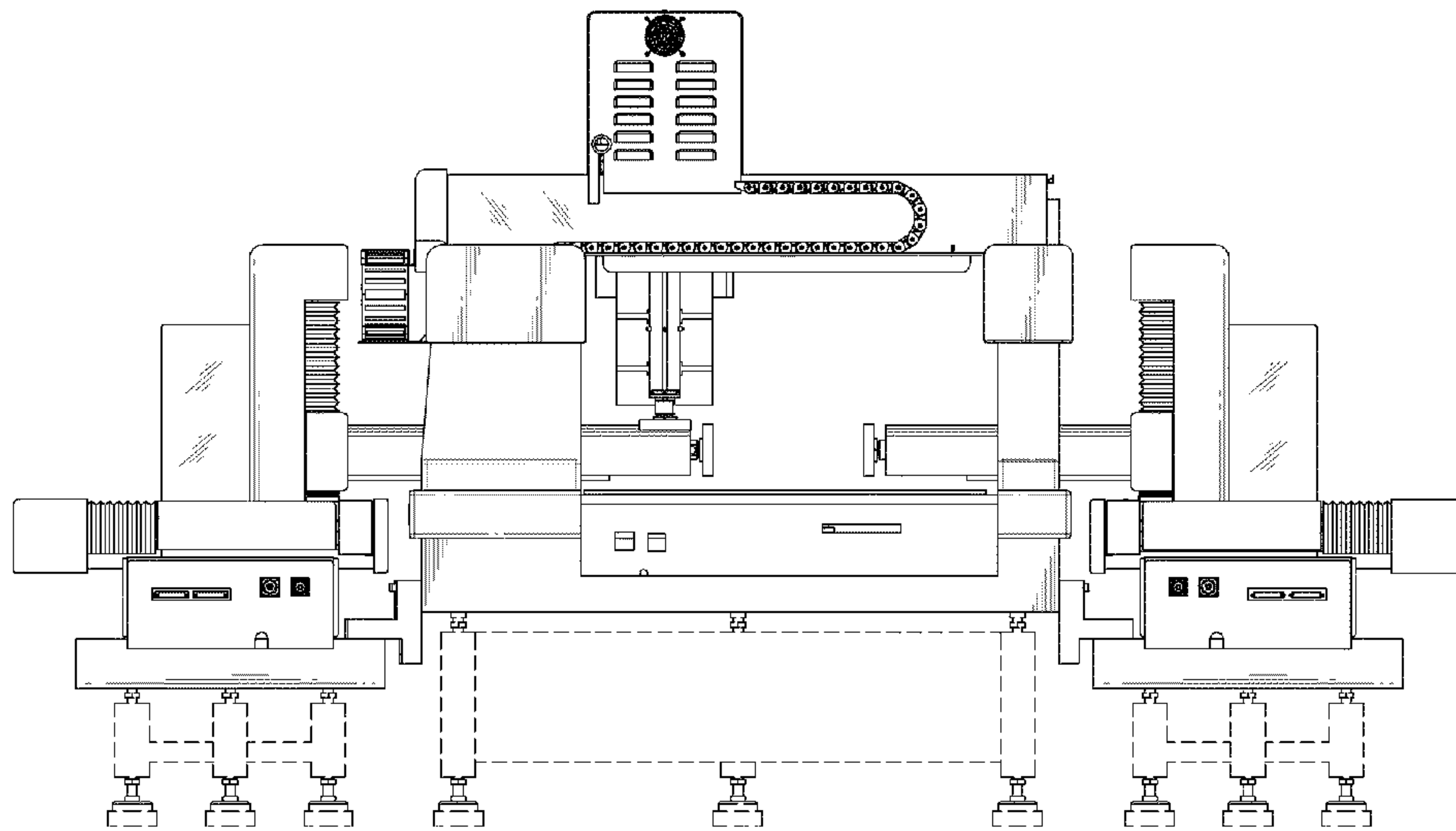


FIG. 3

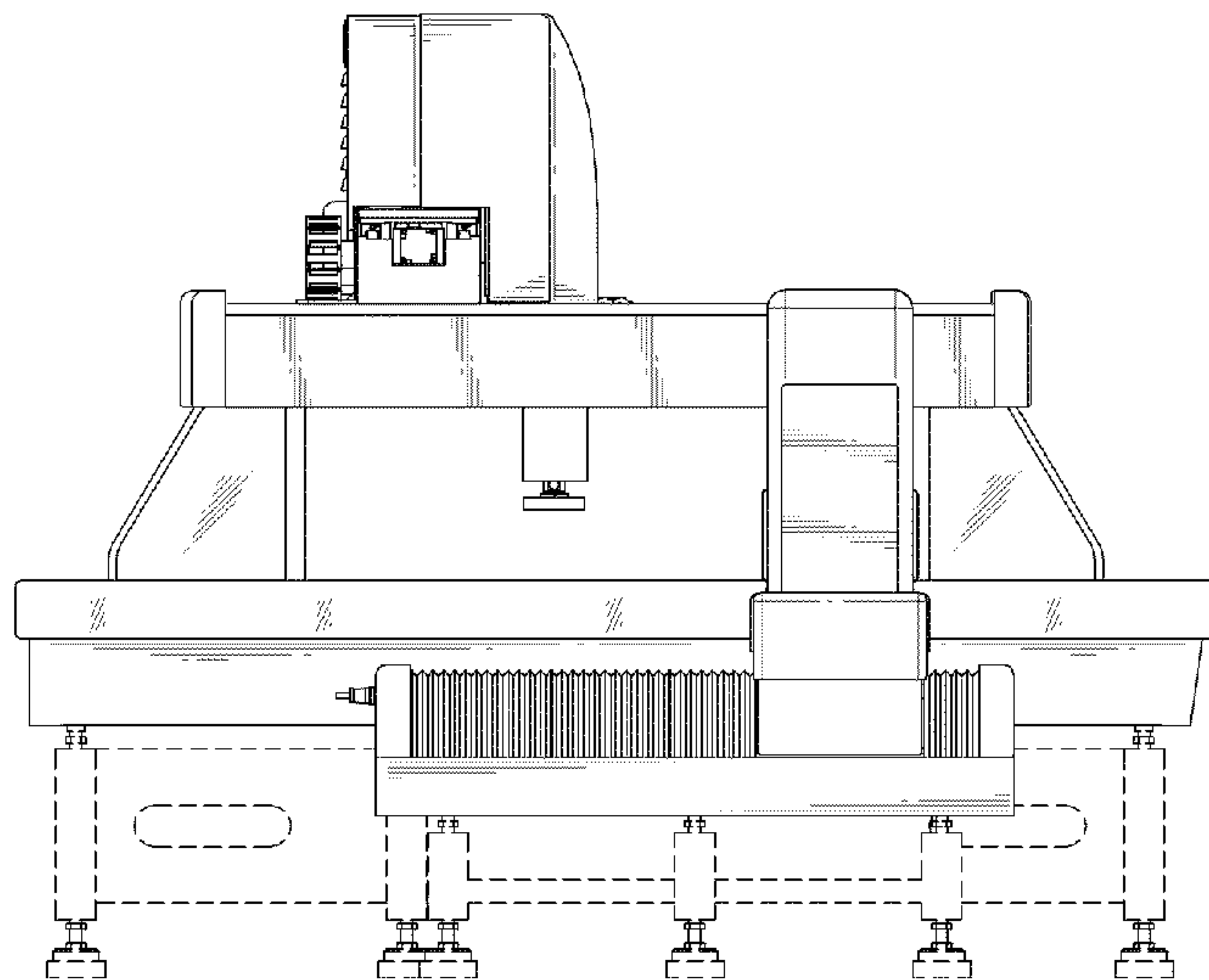


FIG. 4

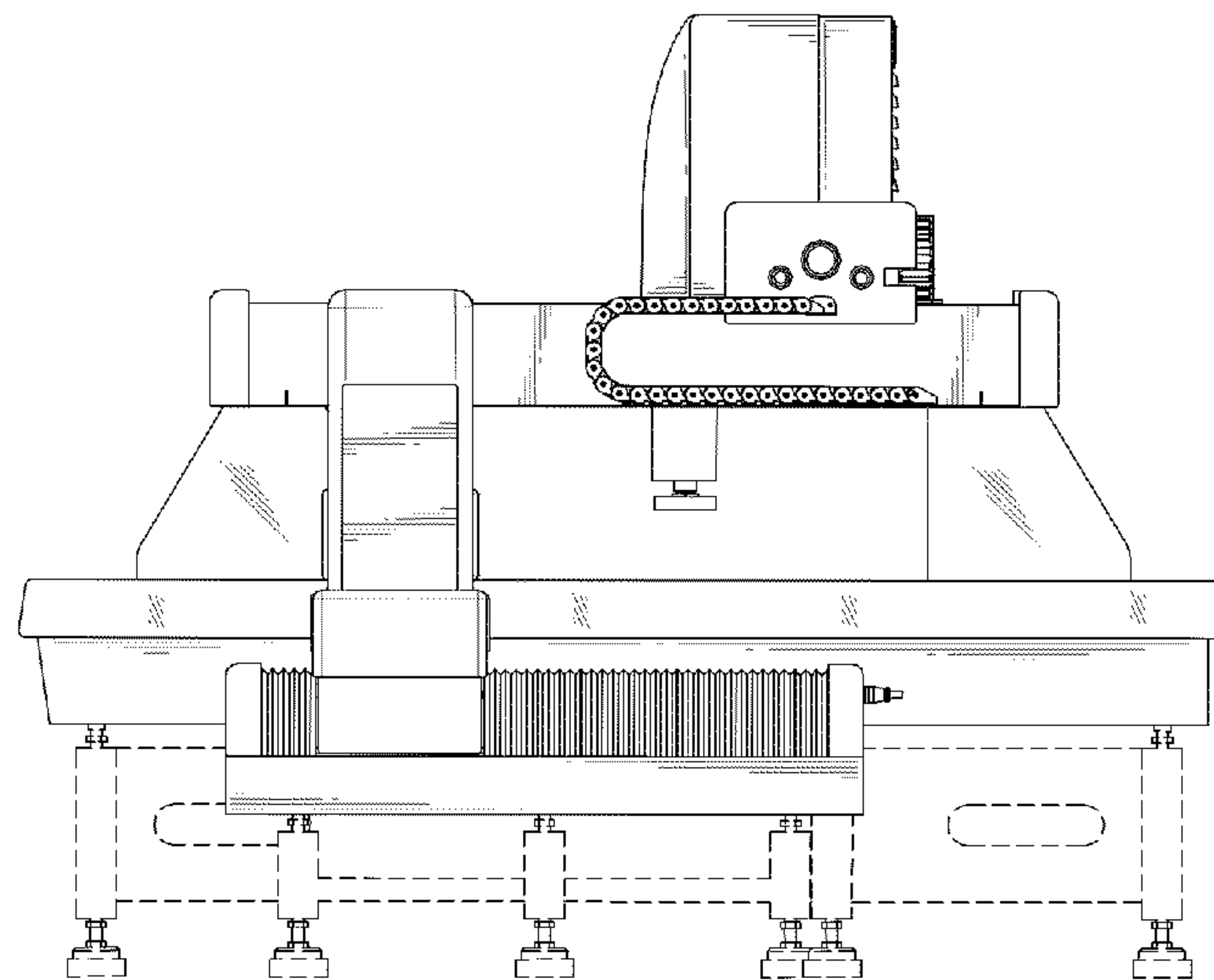


FIG. 5

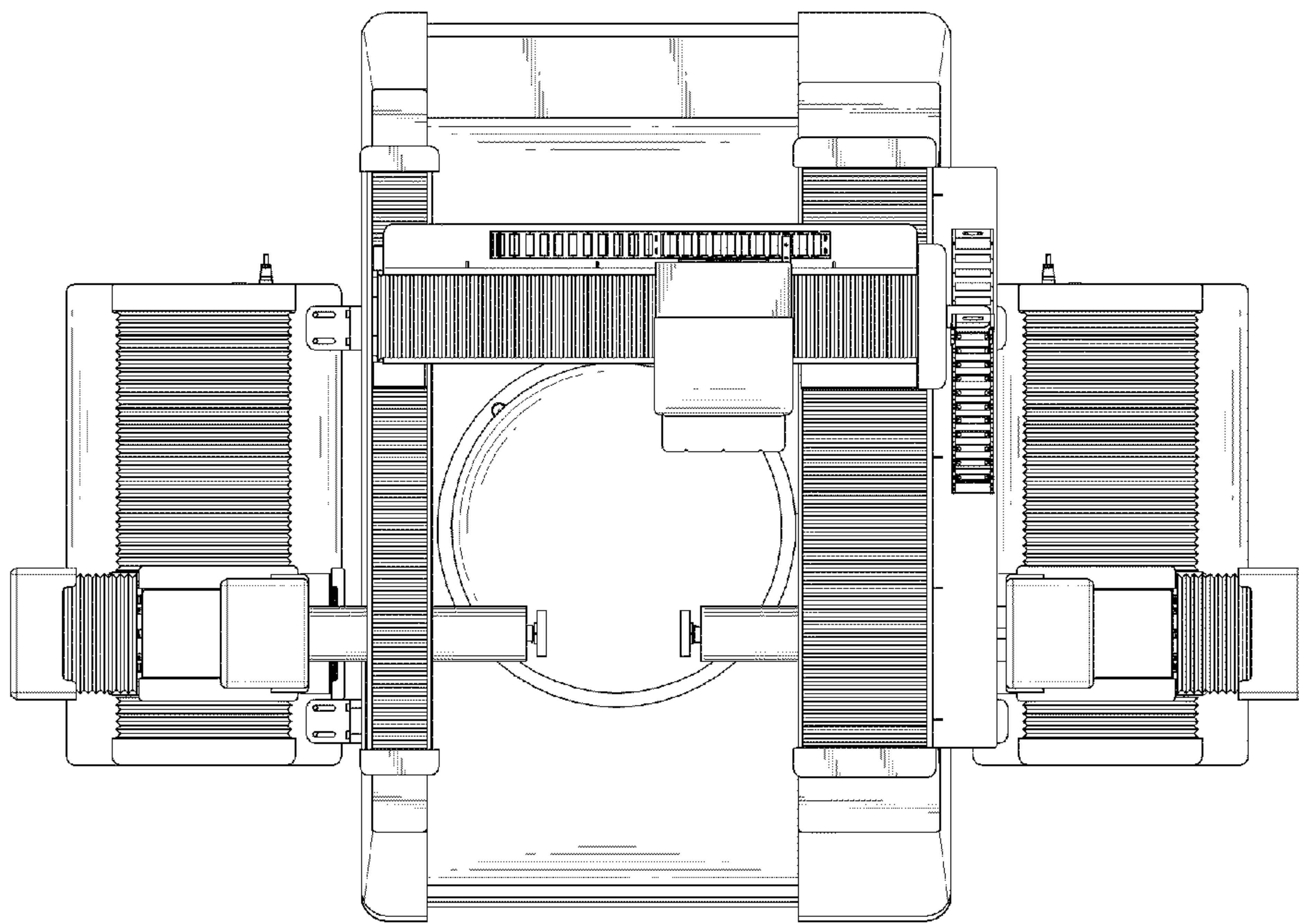


FIG. 6

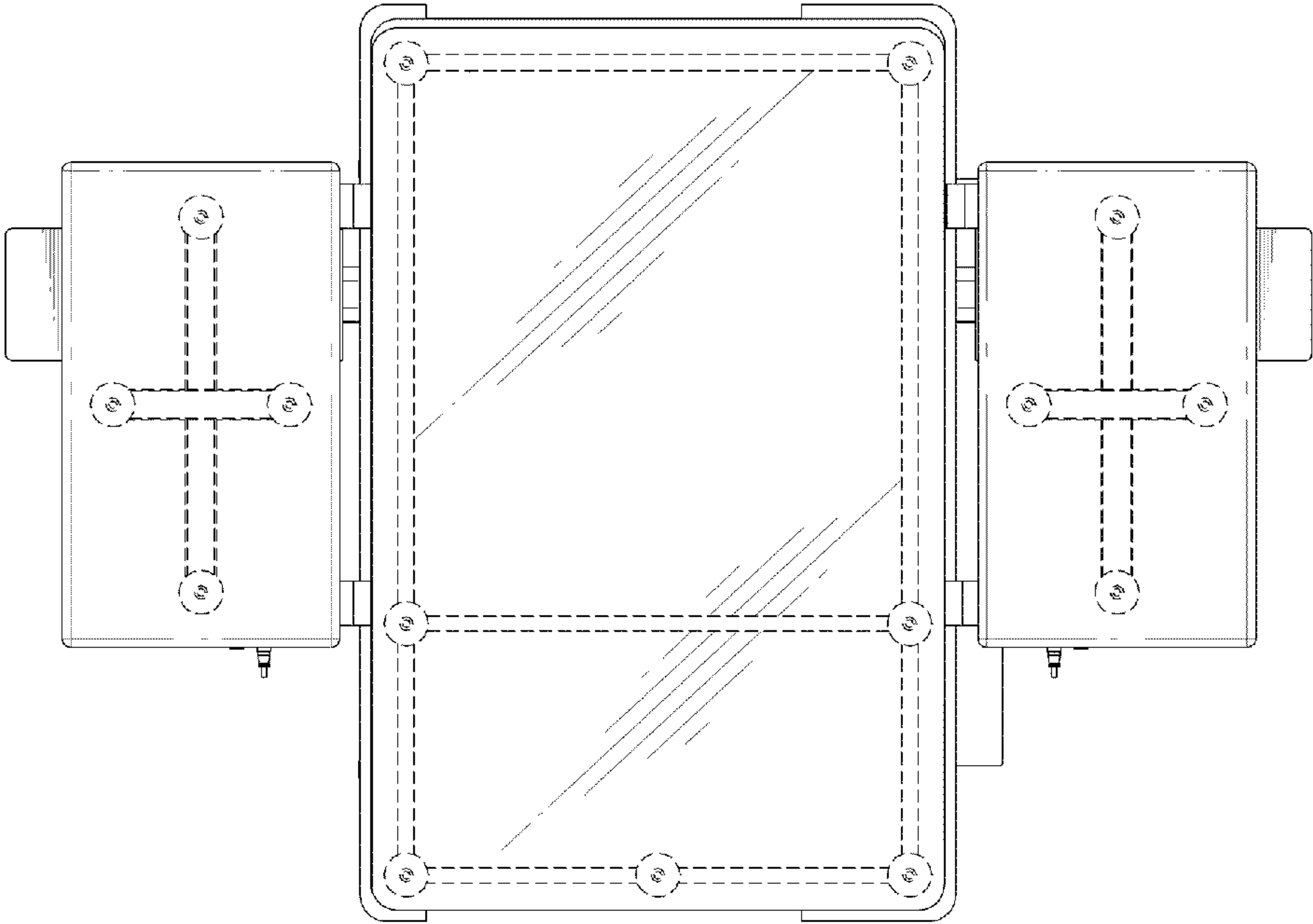


FIG. 7