

US00D668958S

(12) **United States Design Patent**
George et al.

(10) **Patent No.:** **US D668,958 S**

(45) **Date of Patent:** **** Oct. 16, 2012**

(54) **BOTTLE**

(75) Inventors: **Patrick T. George**, Plano, TX (US);
Paul E. Skelton, Kansas City, MO (US);
David A. Brunson, Lee's Summit, MO
(US); **John Anthony Naoum Jirgi**,
Frisco, TX (US)

(73) Assignee: **Dr Pepper/Seven Up, Inc.**

(**) Term: **14 Years**

(21) Appl. No.: **29/424,635**

(22) Filed: **Jun. 14, 2012**

Related U.S. Application Data

(62) Division of application No. 29/376,451, filed on Oct. 7, 2010, now Pat. No. Des. 663,214.

(51) **LOC (9) Cl.** **09-01**

(52) **U.S. Cl.** **D9/538; D9/540; D9/550; D9/571**

(58) **Field of Classification Search** D9/516,
D9/520, 537-541, 549-550, 558, 571, 574-575;
215/381-385; 220/669, 675
See application file for complete search history.

(56) **References Cited**

U.S. PATENT DOCUMENTS

D61,669	S	*	11/1922	Steinberger	D9/557
D197,925	S	*	4/1964	Allen	D9/571 X
D257,427	S	*	10/1980	Cooke et al.	D9/538
D267,233	S	*	12/1982	Aoki	D9/556 X
4,749,092	A	*	6/1988	Sugiura et al.	215/381
D380,671	S	*	7/1997	Young	D9/538
D383,677	S	*	9/1997	Darr	D9/538 X
5,735,421	A	*	4/1998	Deemer et al.	215/382

5,740,934	A	*	4/1998	Brady	215/381
D409,919	S	*	5/1999	Young	D9/538 X
D423,939	S	*	5/2000	Ogg	D9/537
6,662,960	B2	*	12/2003	Hong et al.	220/669 X
D513,594	S	*	1/2006	Venkataraman et al.	..	D9/571 X
D538,168	S	*	3/2007	Davis et al.	D9/558 X
D561,595	S	*	2/2008	Le Bras-Brown et al.	D9/537
D582,287	S	*	12/2008	Lovelace et al.	D9/539 X
D582,288	S	*	12/2008	Lovelace et al.	D9/539 X
D601,901	S	*	10/2009	Lepoitevin	D9/571 X
D601,903	S	*	10/2009	Lepoitevin	D9/538
D602,367	S	*	10/2009	Lepoitevin	D9/538
D643,723	S	*	8/2011	Snyder et al.	D9/516
D652,726	S	*	1/2012	Snyder et al.	D9/539 X

* cited by examiner

Primary Examiner — Carol P Rademaker

(74) *Attorney, Agent, or Firm* — Michael Woods

(57) **CLAIM**

We claim the ornamental design for a bottle, as shown and described.

DESCRIPTION

FIG. 1 is a top, front perspective view a bottle of the new design;

FIG. 2 is a bottom, front perspective view thereof;

FIG. 3 is a front elevational view thereof;

FIG. 4 is a rear elevational view thereof;

FIG. 5 is a left side elevational view thereof;

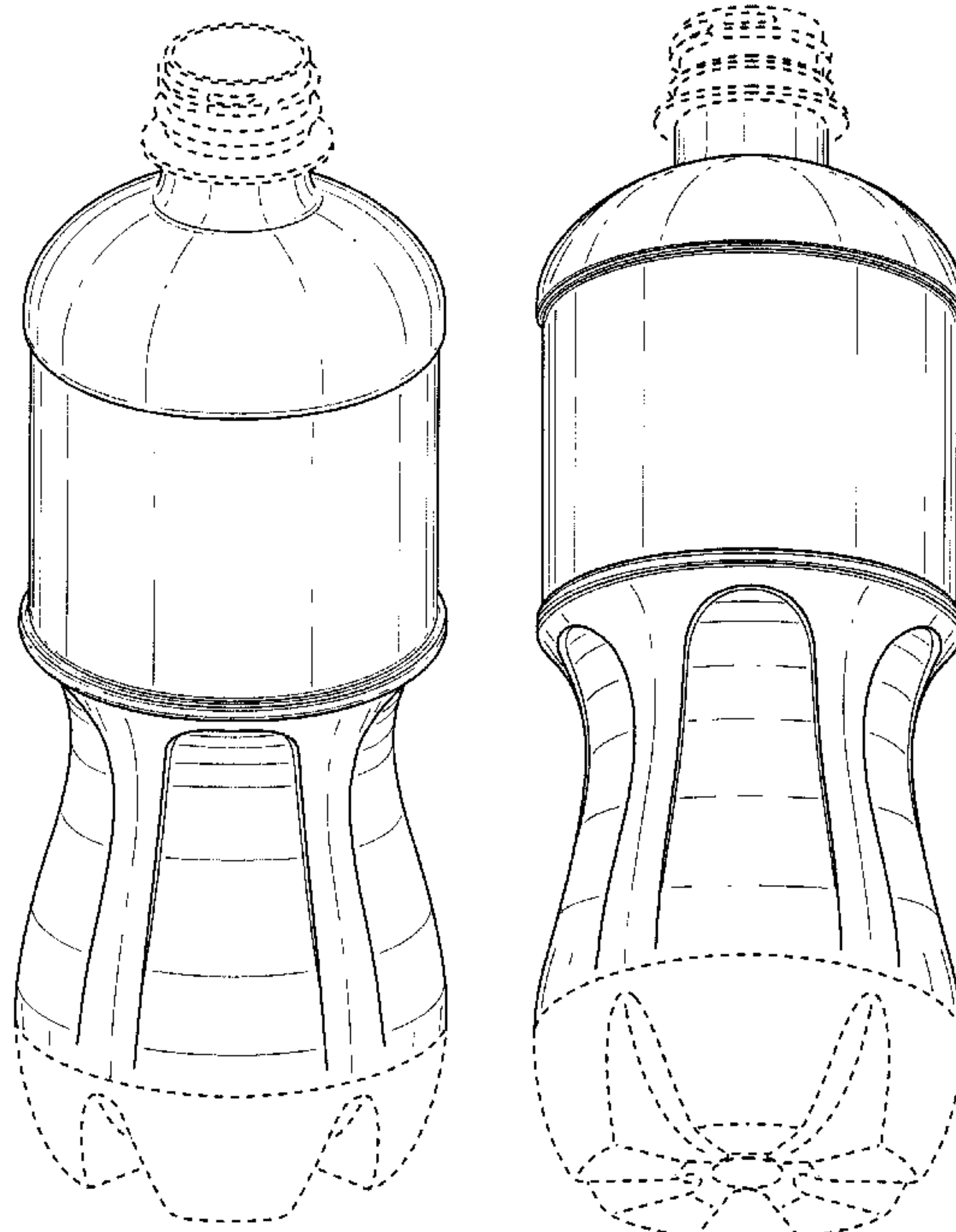
FIG. 6 is a right side elevational view thereof;

FIG. 7 is a top plan view thereof; and,

FIG. 8 is a bottom plan view thereof.

The broken lines shown in the drawings are included for the purpose of illustrating environmental structure and form no part of the claimed design.

1 Claim, 7 Drawing Sheets



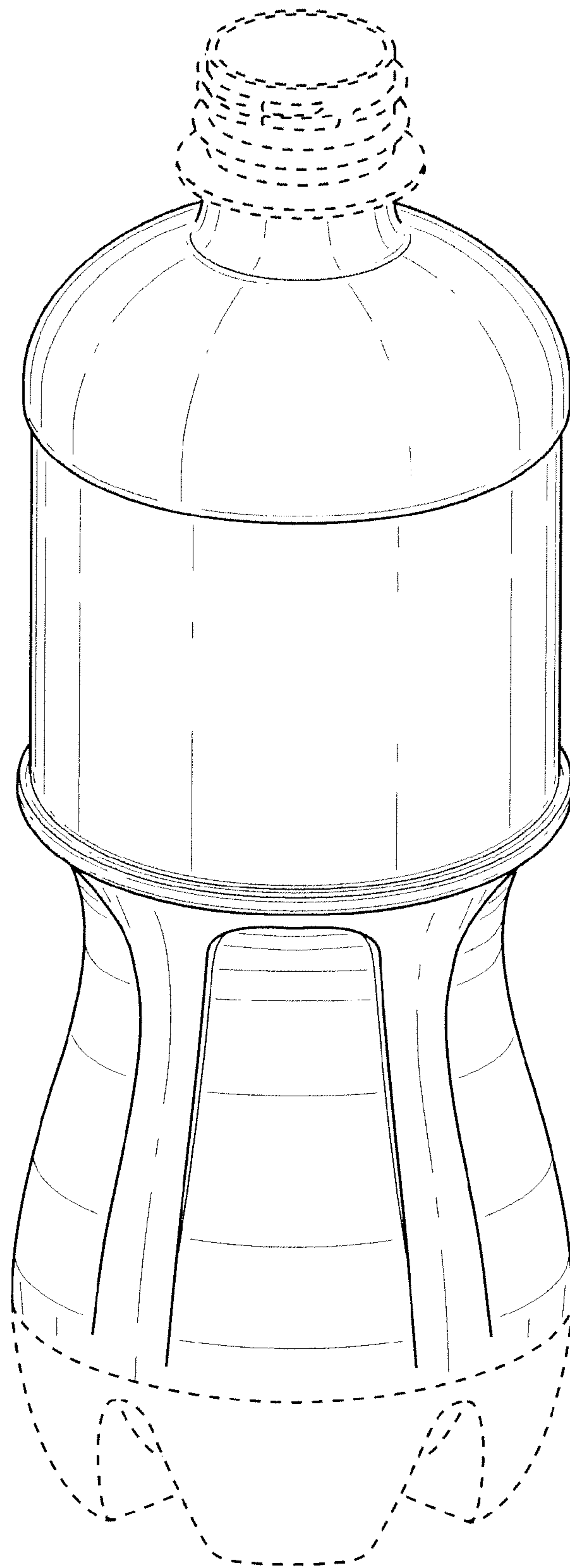


FIG. 1

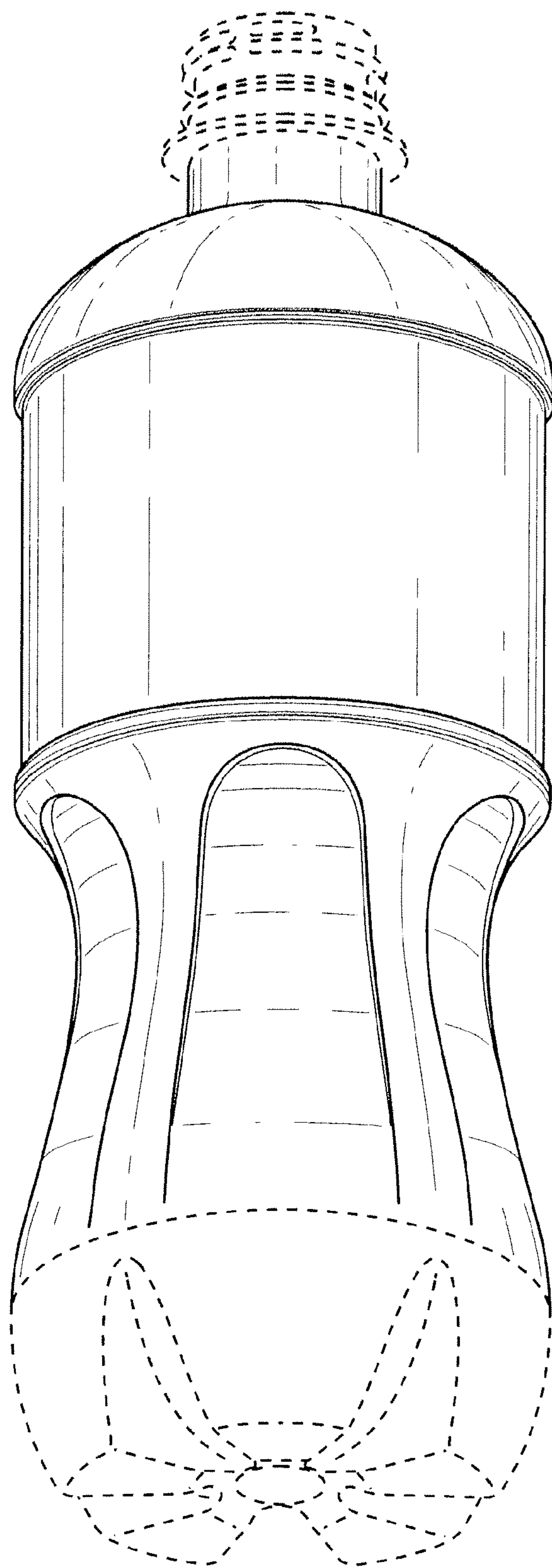


FIG. 2

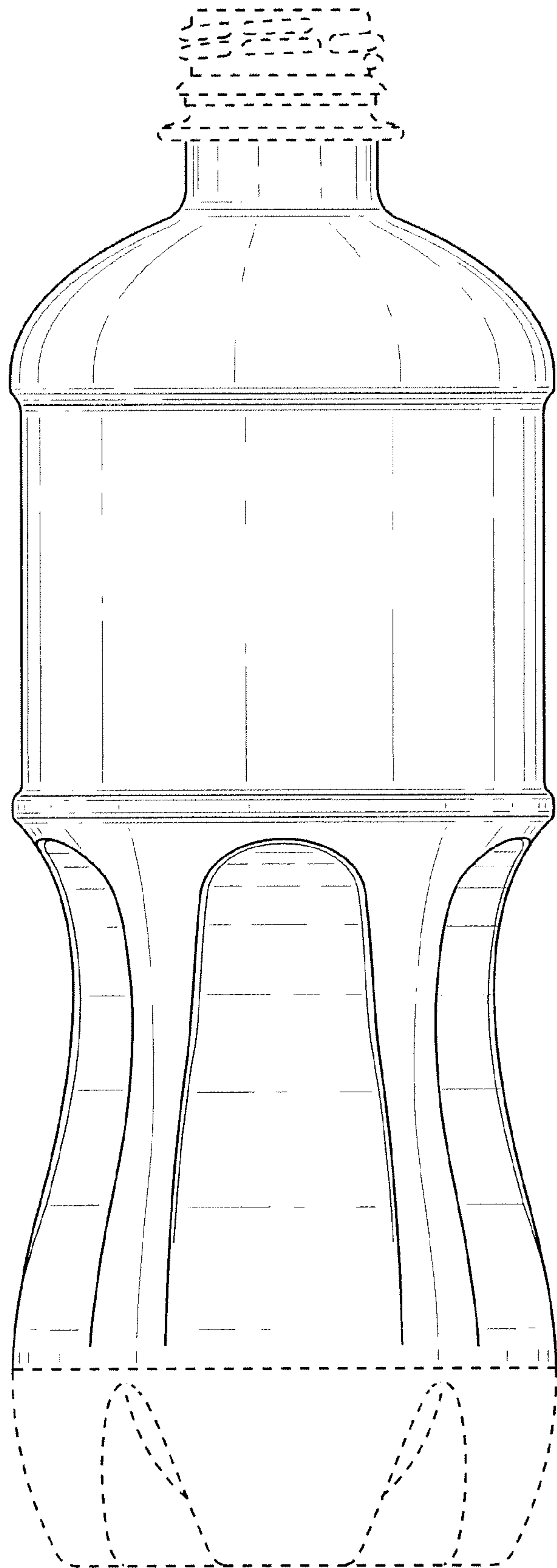


FIG. 3

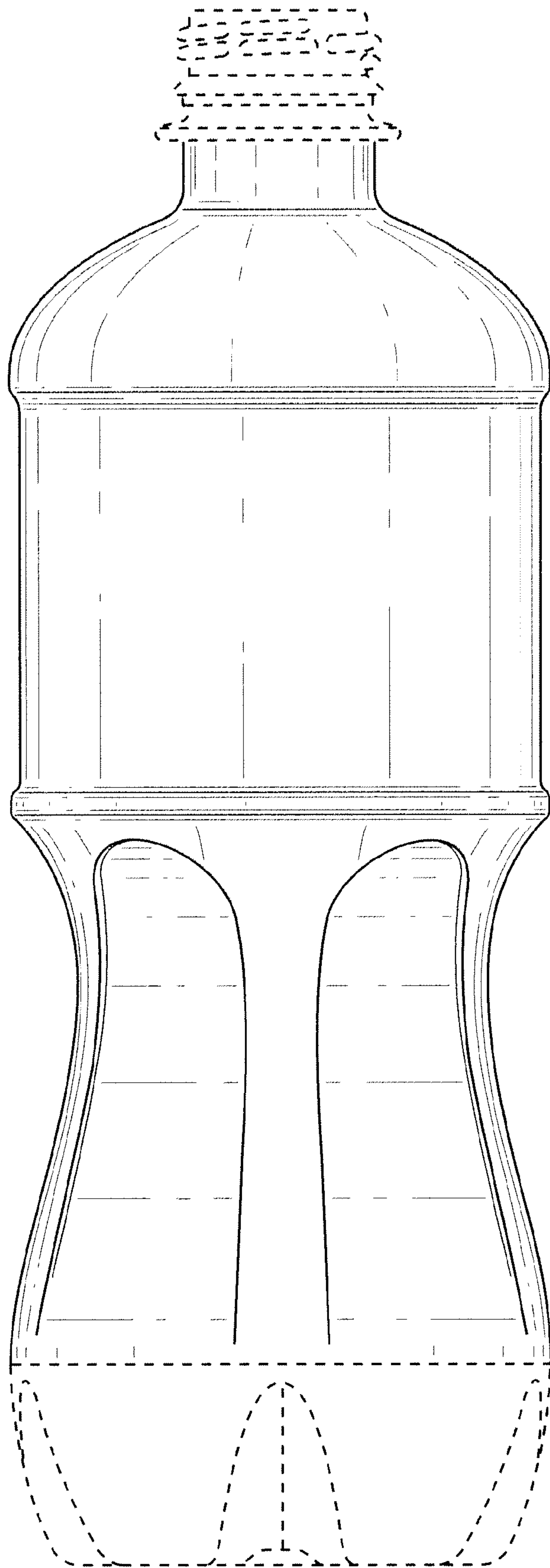


FIG. 4

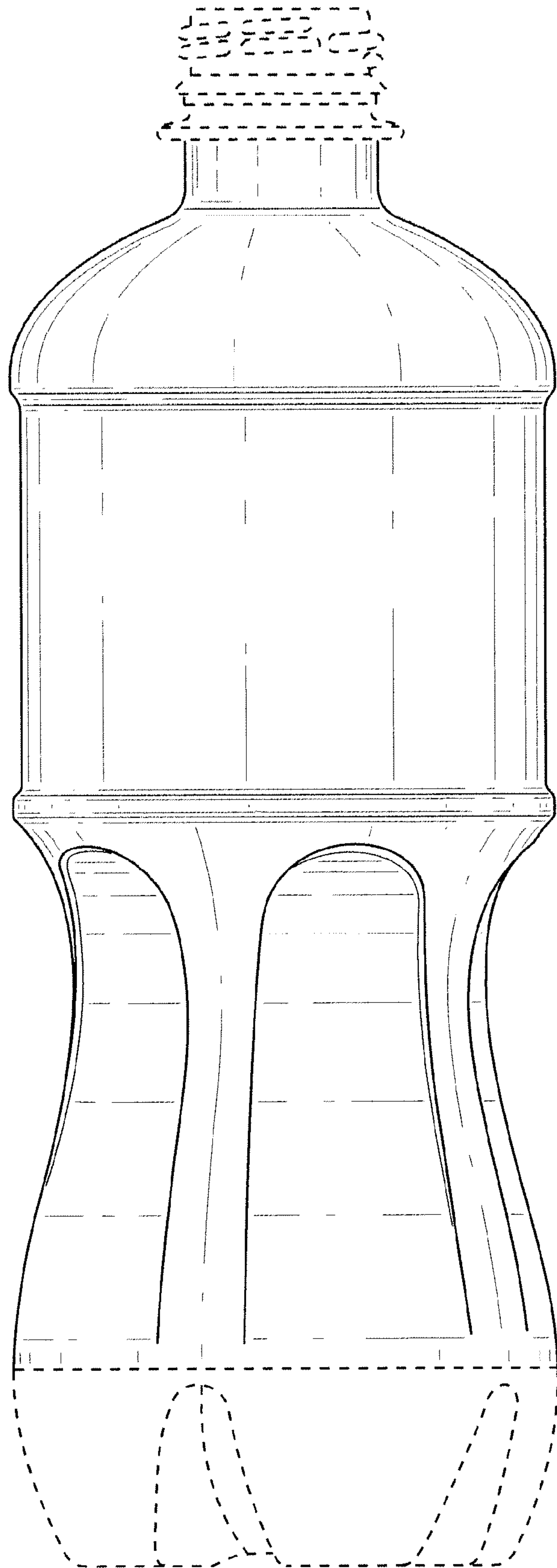


FIG. 5

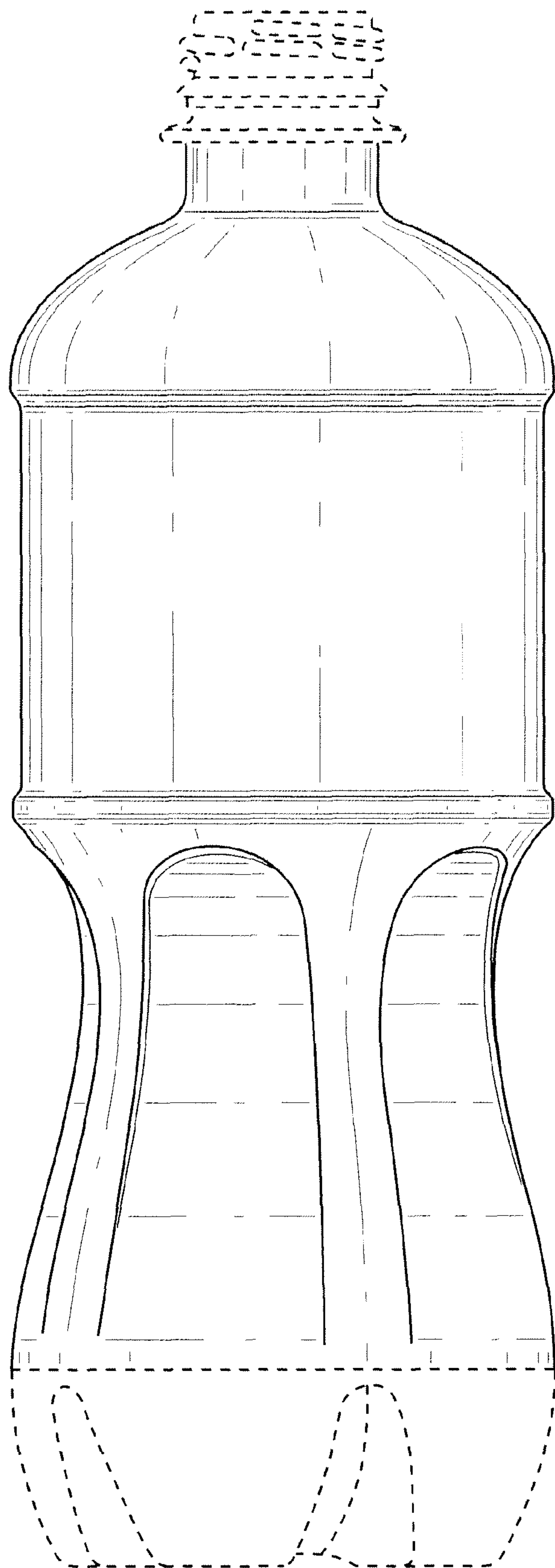


FIG. 6

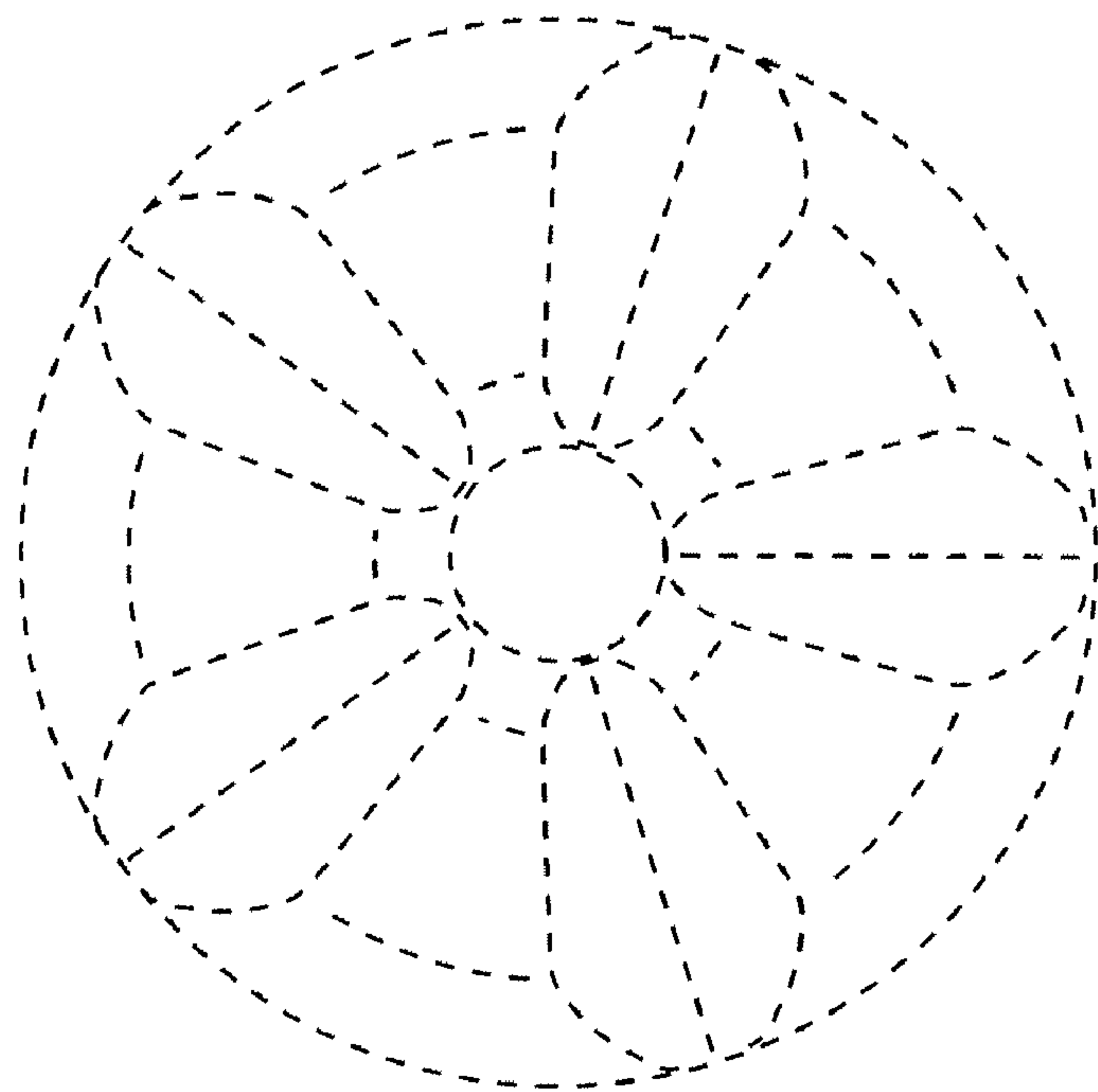


FIG. 8

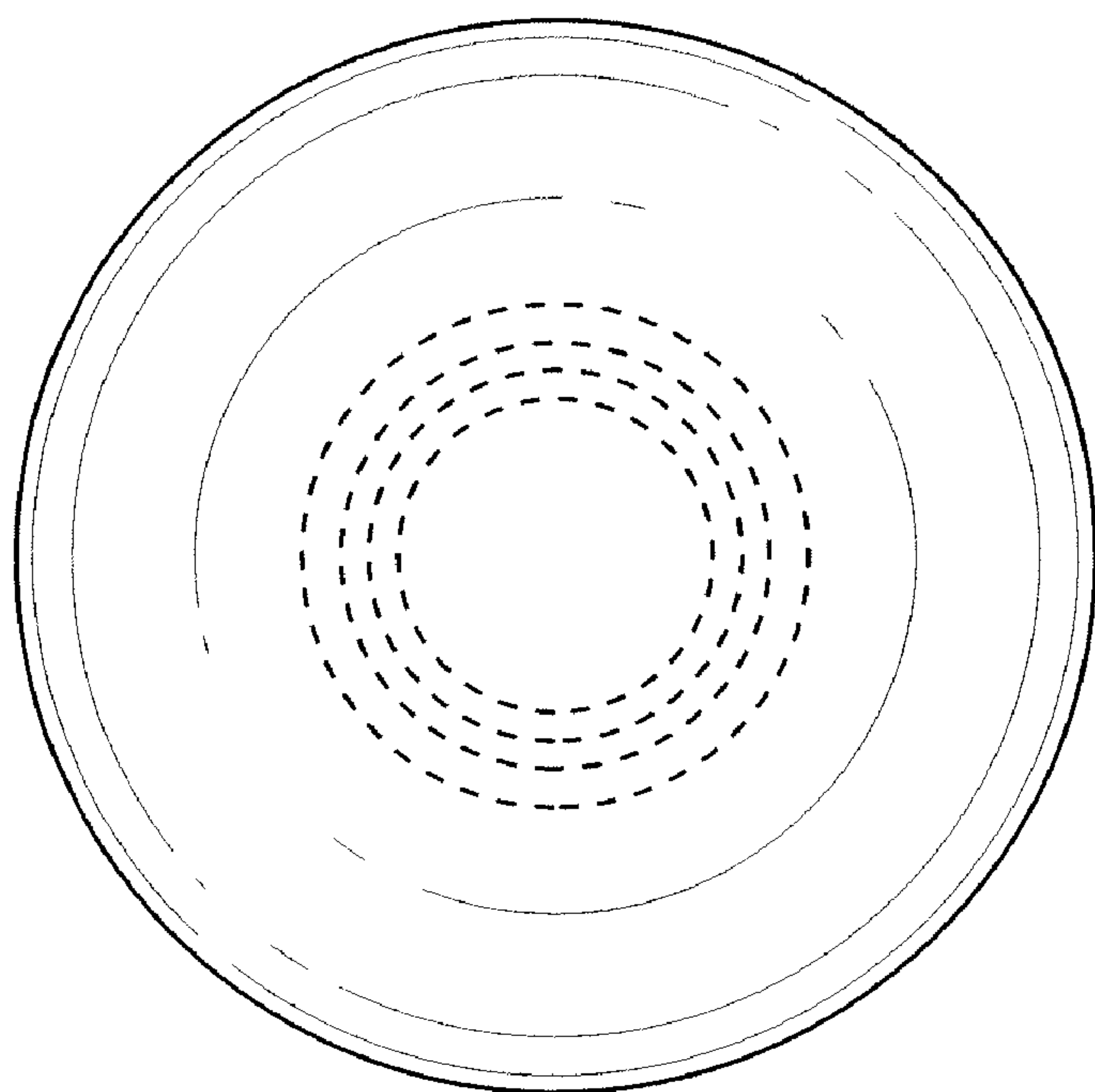


FIG. 7