



US00D668951S

(12) **United States Design Patent**
Voelker

(10) **Patent No.:** **US D668,951 S**
(45) **Date of Patent:** **** Oct. 16, 2012**

- (54) **CONTAINER PACK**
- (75) Inventor: **Scott C. Voelker**, St. Louis, MO (US)
- (73) Assignee: **Monsanto Technology LLC**, St. Louis, MO (US)
- (**) Term: **14 Years**
- (21) Appl. No.: **29/394,810**
- (22) Filed: **Jun. 21, 2011**

5,074,429 A	12/1991	Konkel et al.	
5,114,028 A	5/1992	Ring	
D328,168 S	7/1992	Bartle	
D334,805 S *	4/1993	Ivey	D24/131
D353,541 S	12/1994	Rogler et al.	
5,462,169 A	10/1995	Dygert et al.	
5,497,899 A	3/1996	Wuerfel	
5,715,992 A *	2/1998	Andrews et al.	229/125.15
5,765,711 A	6/1998	Johnson et al.	

(Continued)

FOREIGN PATENT DOCUMENTS

CA 138748 2/2012

(Continued)

Related U.S. Application Data

- (63) Continuation-in-part of application No. 29/356,562, filed on Feb. 26, 2010, now abandoned, and a continuation-in-part of application No. PCT/US2011/026317, filed on Feb. 25, 2011.
- (51) **LOC (9) Cl.** **09-03**
- (52) **U.S. Cl.** **D9/430**
- (58) **Field of Classification Search** D9/430-433, D9/414, 418, 420-424, 499, 518, 522, 572, D9/715, 719, 721, 753; D3/272; 206/267, 206/269, 270, 273, 299, 476, 494, 527, 784, 206/737, 740, 822; 229/100, 101, 101.3, 229/106, 108-112, 114-117, 117.05-117.09, 229/117.24-117.26, 162, 164, 87.01, 87.06, 229/800, 221, 222, 227, 902, 939, 941, 942; D7/392, 397, 510, 619.1; 220/229, 260, 220/62, 890; 426/418; D34/7
See application file for complete search history.

OTHER PUBLICATIONS

Hedwin, Cubitainer® Combination Package, www.hedwin.com, 6 pages, printed Jun. 7, 2010.

(Continued)

Primary Examiner — Thomas Johannes

(74) *Attorney, Agent, or Firm* — Joseph A. Schaper; Harness, Dickey & Pierce, P.L.C.

(57) **CLAIM**

The ornamental design for a container pack, as shown and described.

DESCRIPTION

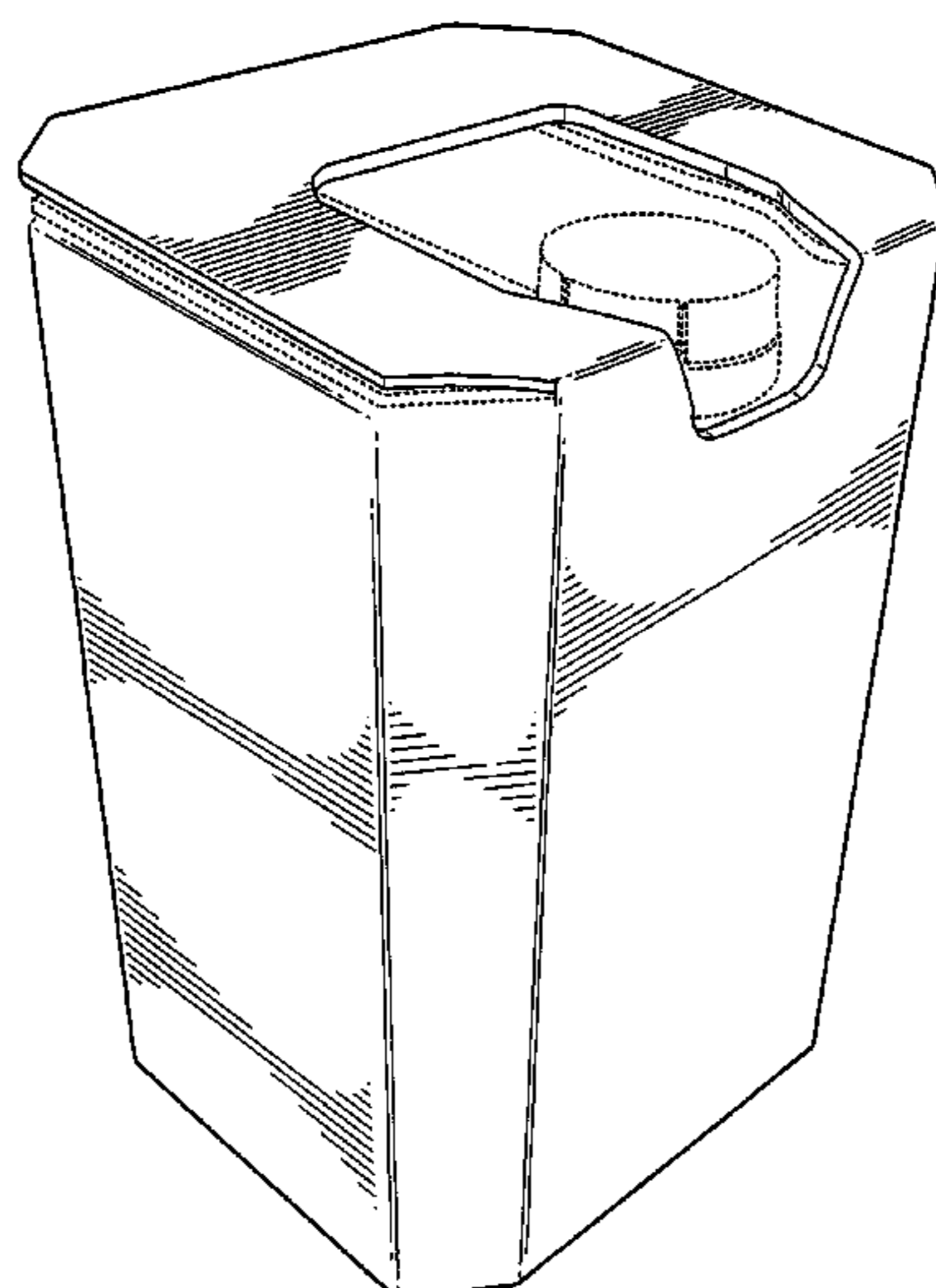
FIG. 1 is a perspective view of a container pack in accordance with my new design;
 FIG. 2 is a front elevation view thereof;
 FIG. 3 is a rear elevation view thereof;
 FIG. 4 is a left side elevation view thereof;
 FIG. 5 is a right side elevation view thereof;
 FIG. 6 is a top plan view thereof; and,
 FIG. 7 is a bottom plan view thereof.
 The broken line portion of the figure drawings is included to show unclaimed subject matter only and forms no part of the claimed design.

1 Claim, 7 Drawing Sheets

(56) **References Cited**

U.S. PATENT DOCUMENTS

2,780,402 A *	2/1957	Heiblim et al.	229/117.23
3,054,549 A *	9/1962	Humphrey	229/117.3
3,931,916 A *	1/1976	Blue et al.	222/465.1
D248,831 S	8/1978	Anderson	
D270,998 S	10/1983	Stark	
D274,223 S	6/1984	Turnbull	
D279,078 S	6/1985	Franchi et al.	
D319,019 S	8/1991	Shanklin et al.	



US D668,951 S

Page 2

U.S. PATENT DOCUMENTS

D401,147 S 11/1998 Miller
D402,201 S 12/1998 Miller
5,909,841 A * 6/1999 Andrews et al. 229/125.15
6,045,036 A 4/2000 Ring
6,074,331 A 6/2000 Ruggiere, Sr. et al.
D434,666 S 12/2000 Celaya
6,196,452 B1 * 3/2001 Andrews et al. 229/125.15
6,290,124 B2 * 9/2001 Andrews et al. 229/117.27
6,588,651 B2 7/2003 Quaintance
D489,939 S 5/2004 Alanson
D521,870 S 5/2006 Miller et al.
D523,343 S 6/2006 Castner
7,077,309 B2 * 7/2006 Andrews, Sr. 229/117.15
D527,639 S 9/2006 Voss et al.
D538,167 S 3/2007 Jennings et al.
D563,234 S 3/2008 Moreno
D573,885 S 7/2008 Considine et al.
D575,637 S 8/2008 Adams
D595,583 S 7/2009 Lovelace, Jr. et al.
7,708,186 B2 5/2010 Pawlick
D617,635 S * 6/2010 Gould D9/431

7,726,503 B2 6/2010 Dygert et al.
D625,600 S 10/2010 Hill
D631,358 S 1/2011 Voelker
2003/0106927 A1 6/2003 Bryant et al.
2005/0040216 A1 2/2005 Quaintance
2006/0180643 A1 * 8/2006 Stephenson 229/117.3
2007/0075123 A1 4/2007 Keefe, Jr.
2008/0073317 A1 3/2008 Dygert et al.
2009/0084706 A1 4/2009 Keefe, Jr.
2009/0104324 A1 4/2009 Bradley
2010/0001052 A1 1/2010 Gardner

FOREIGN PATENT DOCUMENTS

WO WO 2004/011336 A2 2/2004
WO WO 2011/106698 A1 9/2011

OTHER PUBLICATIONS

OctaMax, OctaMax Plus & OctaMax Ultra, High-Strength Octagonal Containers and Display Trays "A family of choices", Power Point Presentation, 16 pages.

* cited by examiner

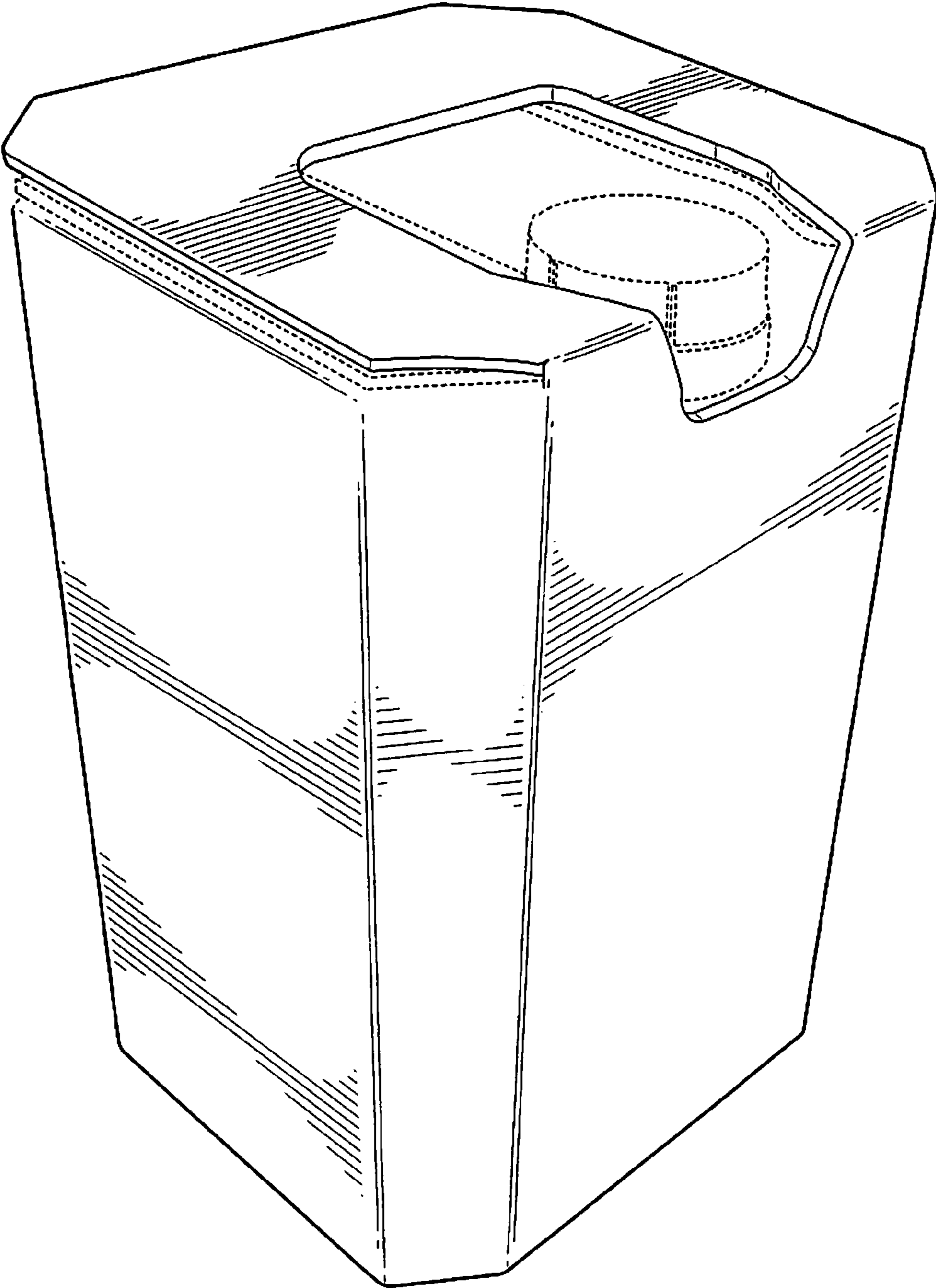


FIG. 1

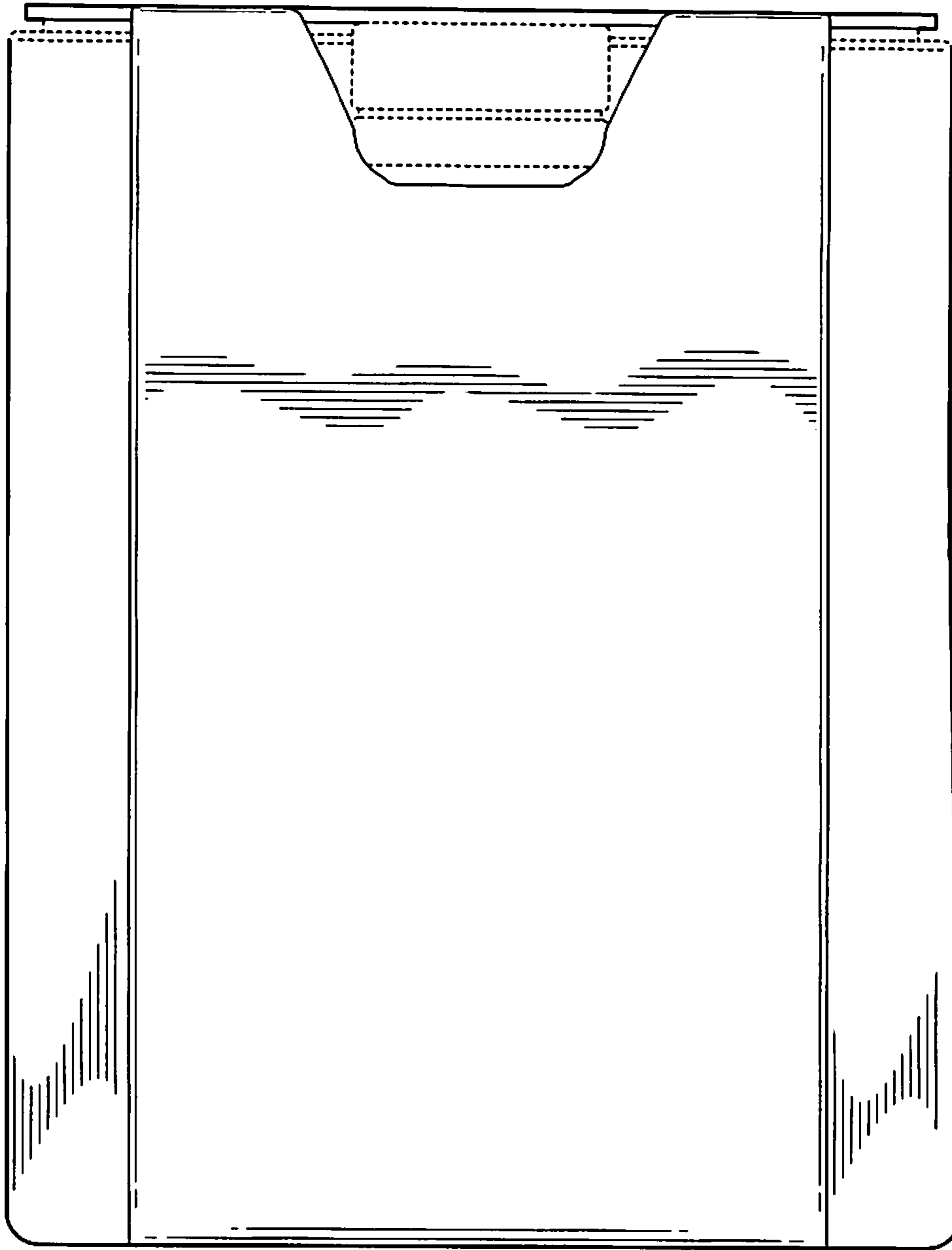


FIG. 2

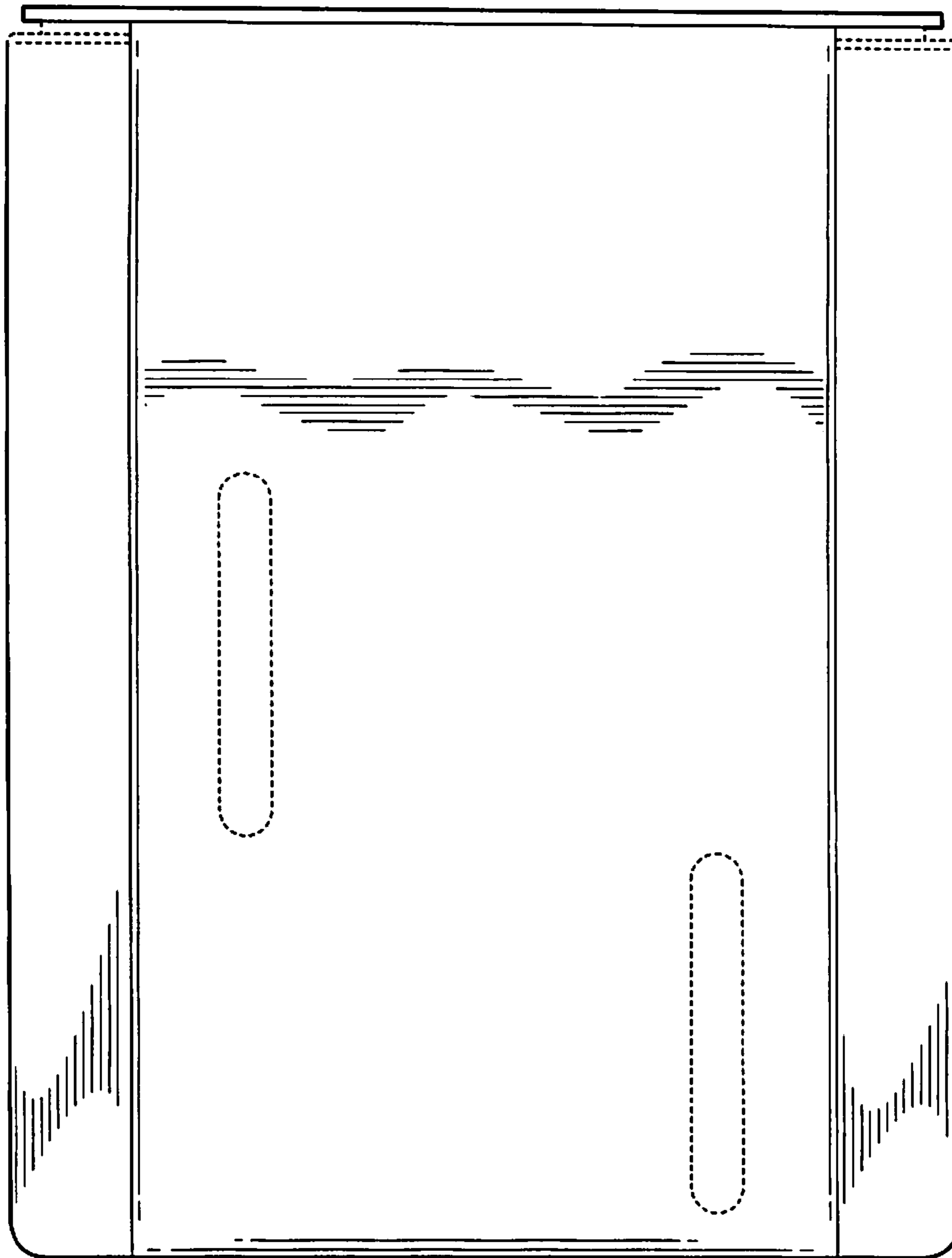


FIG. 3

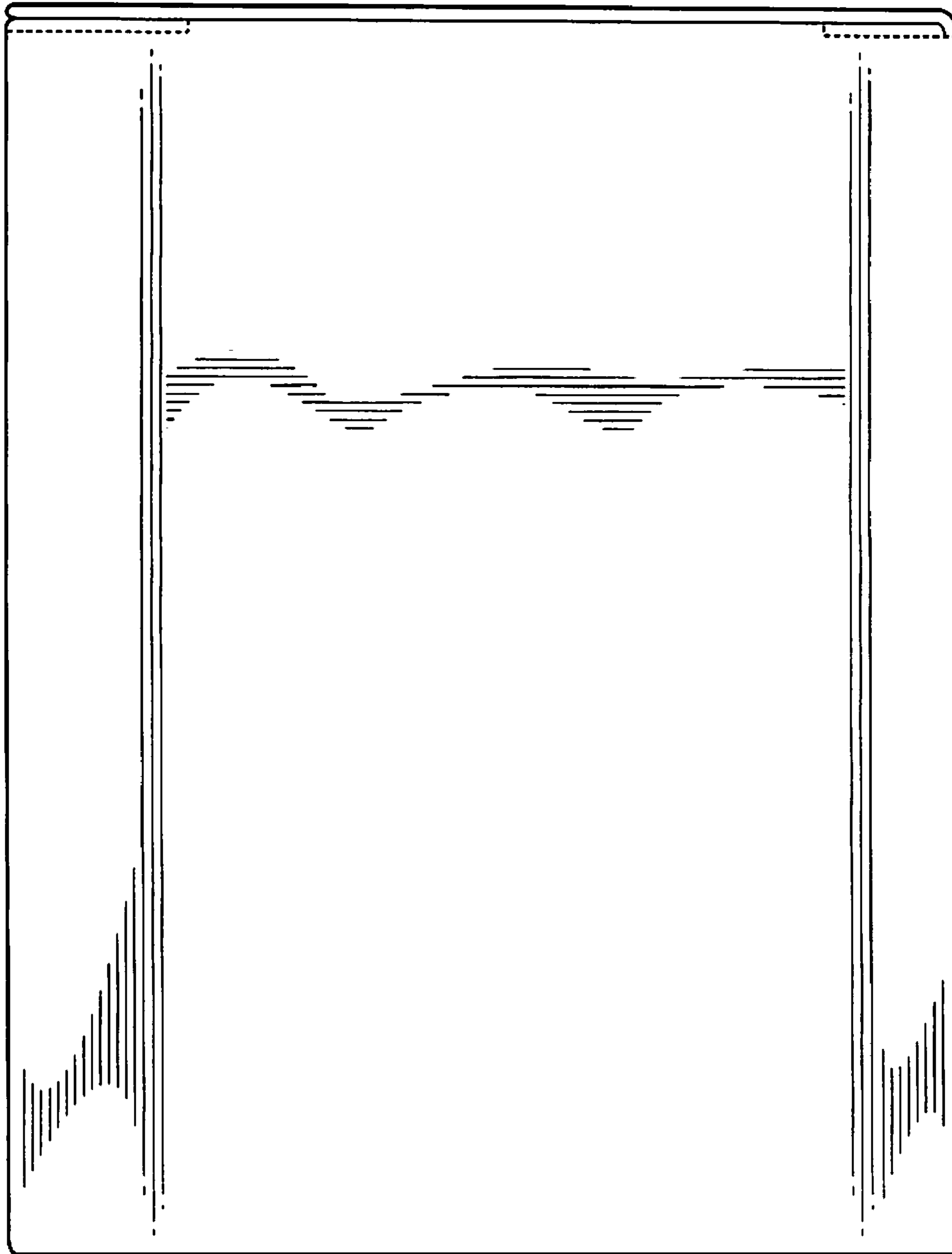


FIG. 4

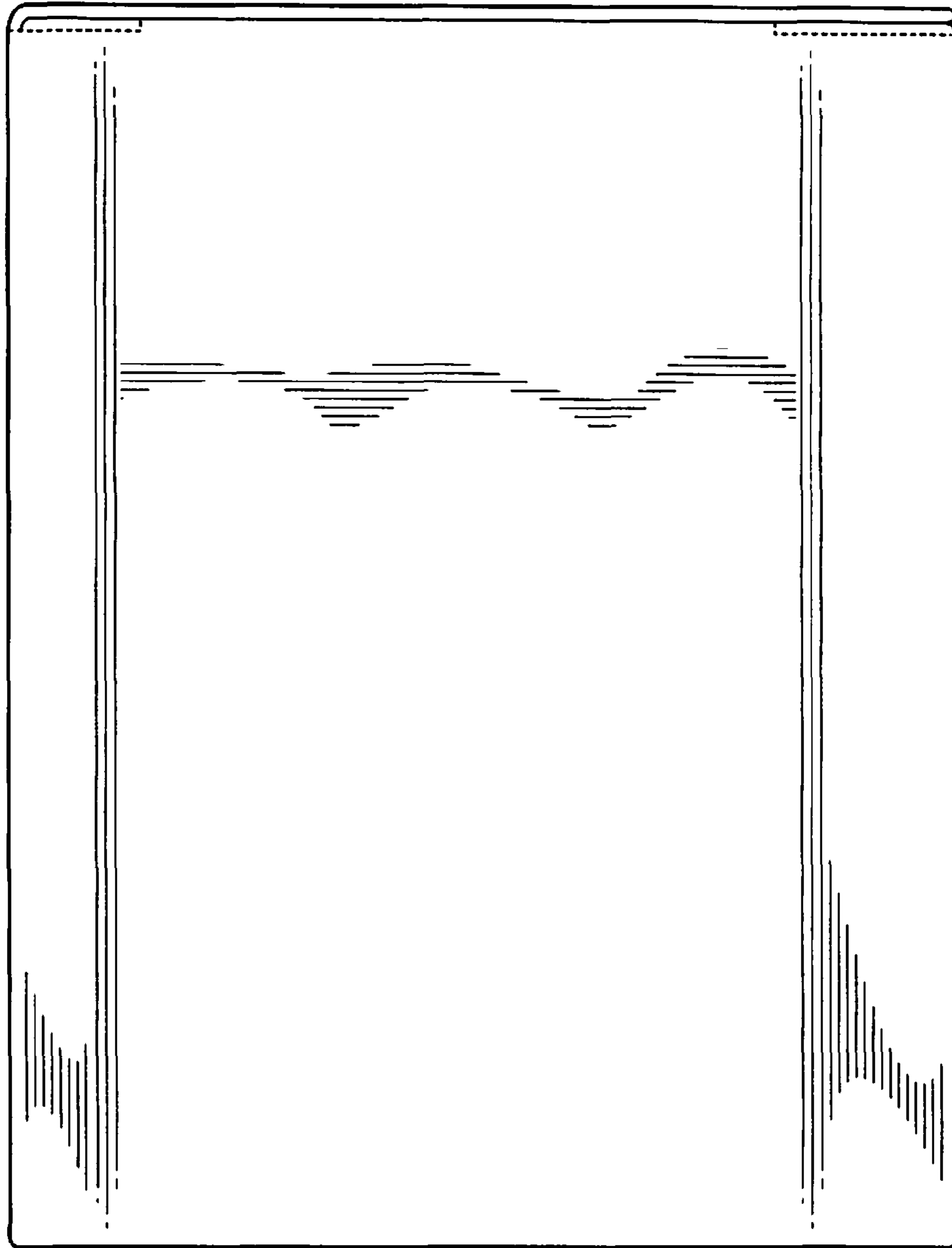


FIG. 5

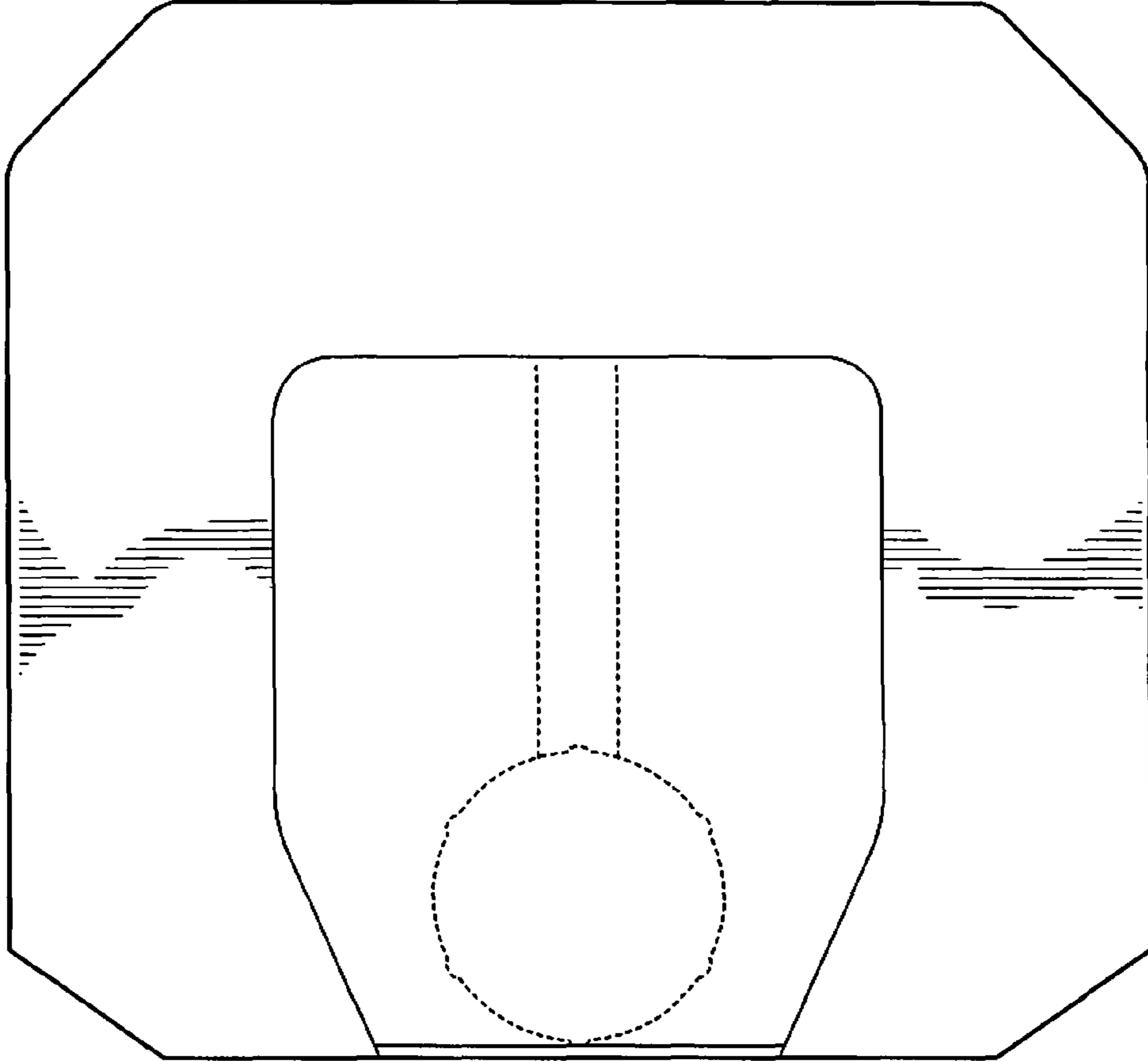


FIG. 6

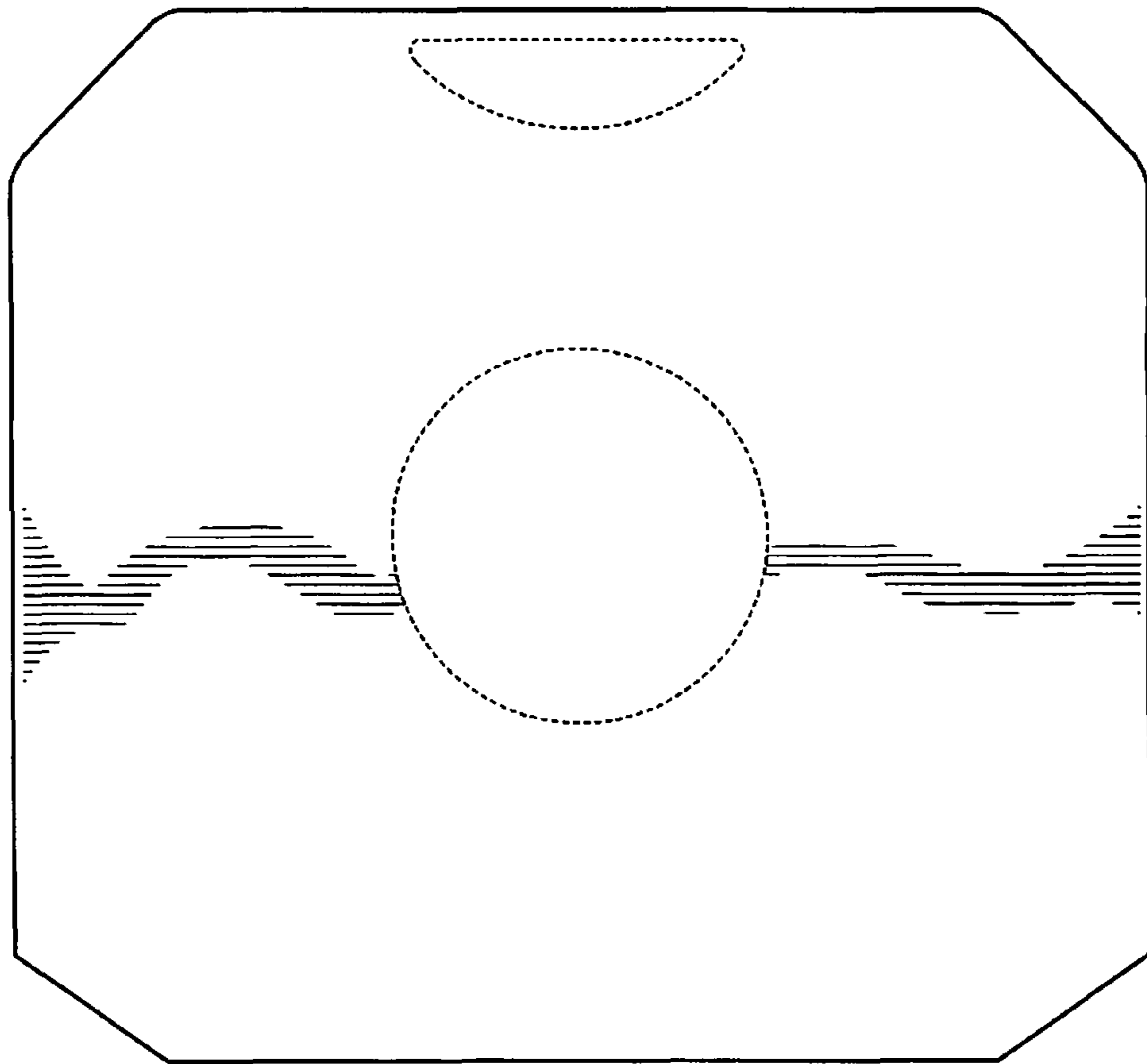


FIG. 7