

US00D668950S

(12) **United States Design Patent**
Sanfilippo

(10) **Patent No.:** **US D668,950 S**

(45) **Date of Patent:** **** Oct. 16, 2012**

(54) **CONTAINER**

(75) Inventor: **John E. Sanfilippo**, Barrington Hills, IL
(US)

(73) Assignee: **D&W Fine Pack**, Elk Grove Village, IL
(US)

(**) Term: **14 Years**

(21) Appl. No.: **29/407,742**

(22) Filed: **Dec. 1, 2011**

(51) **LOC (9) Cl.** **09-03**

(52) **U.S. Cl.** **D9/425; D9/423**

(58) **Field of Classification Search** D9/414,
D9/416, 417, 419, 424, 425, 430, 431, 432,
D9/761; D7/538, 549, 550.1, 601-603, 605,
D7/629; 220/23.4, 23.6, 266, 281, 315, 318,
220/500, 659, 669, 674, 675, 696, 752, 760,
220/790, 793, DIG. 12, FOR. 117; 229/105,
229/117.09, 117.26, 189, 406, 407, 902,
229/905, 915.1; 206/499, 508, 557; D3/276

See application file for complete search history.

(56) **References Cited**

U.S. PATENT DOCUMENTS

5,515,993	A *	5/1996	McManus	220/4.23
D378,192	S *	2/1997	Krupa et al.	D9/425
D380,381	S *	7/1997	Krupa et al.	D9/425
D385,784	S *	11/1997	Krupa et al.	D9/425
D430,800	S *	9/2000	Sarnoff	D9/425
D446,719	S *	8/2001	Garraway	D9/425
D569,243	S *	5/2008	Kidd et al.	D9/425
D573,015	S *	7/2008	Chen	D9/427
D601,013	S *	9/2009	Petitjean	D9/426
D601,014	S *	9/2009	Petitjean	D9/426

D627,221	S *	11/2010	Kovatch	D9/429
D645,737	S *	9/2011	Oakes	D9/425
D647,790	S *	11/2011	Lopez et al.	D9/429
2006/0081641	A1 *	4/2006	Habeger et al.	220/839

* cited by examiner

Primary Examiner — Thomas Johannes

(74) *Attorney, Agent, or Firm* — Cardinal Law Group

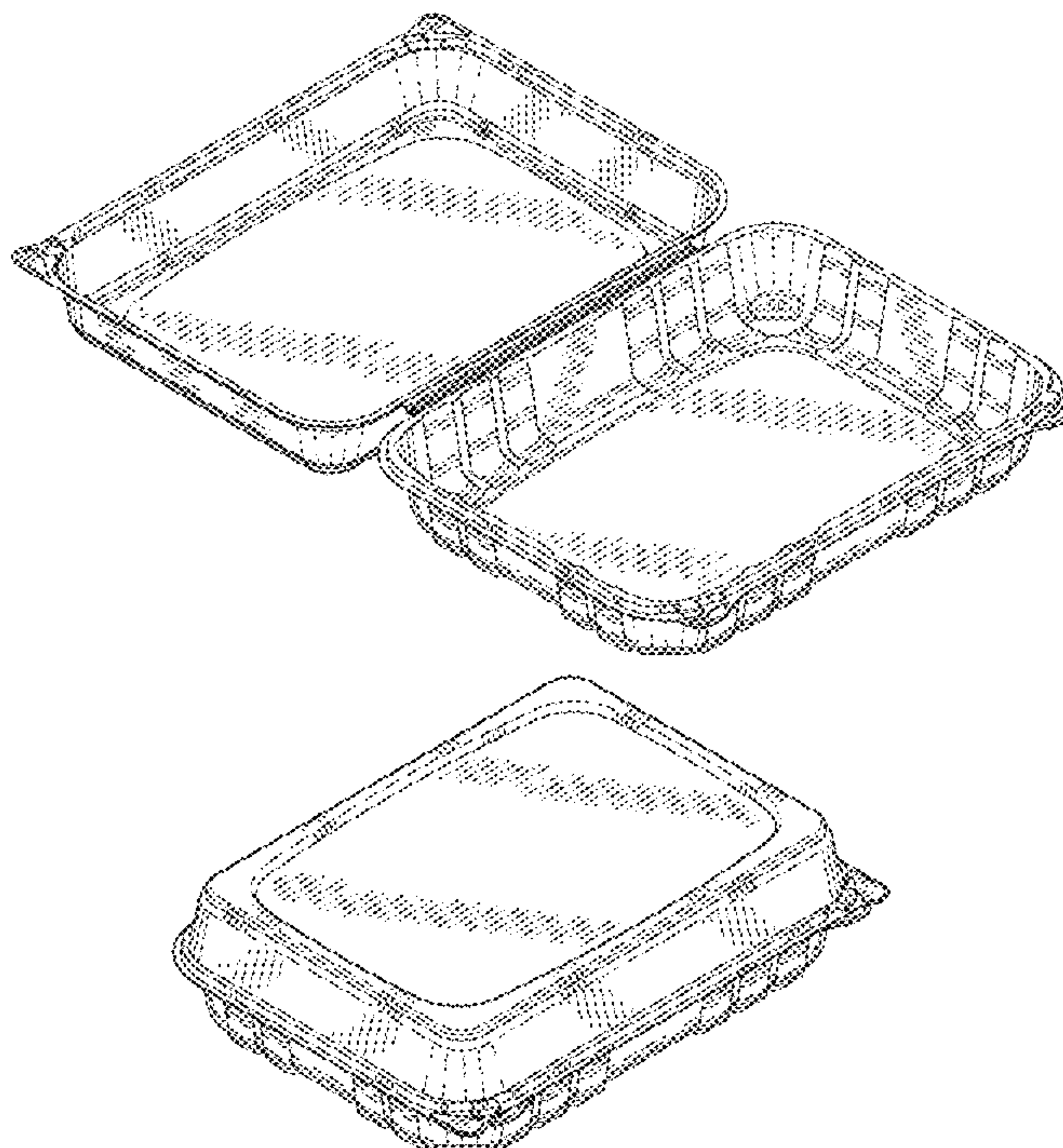
(57) **CLAIM**

The ornamental design for a container, as shown and described.

DESCRIPTION

FIG. 1 is a bottom perspective view of a container showing my new design in an open configuration;
 FIG. 2 is a top perspective view thereof;
 FIG. 3 is a top view thereof;
 FIG. 4 is a bottom view thereof;
 FIG. 5 is a front side view thereof;
 FIG. 6 is a back side view thereof;
 FIG. 7 is a left side view thereof;
 FIG. 8 is a right side view thereof;
 FIG. 9 is a top perspective view thereof in a closed configuration;
 FIG. 10 is a cross sectional view thereof in an open configuration taken along axis 10-10 in FIG. 12;
 FIG. 11 is a cross sectional view thereof taken along axis 11-11 in FIG. 12; and,
 FIG. 12 is a bottom perspective view thereof with cross-section reference axes.
 The broken line portion of the figure drawings is included to show unclaimed subject matter only and forms no part of the claimed design.

1 Claim, 8 Drawing Sheets



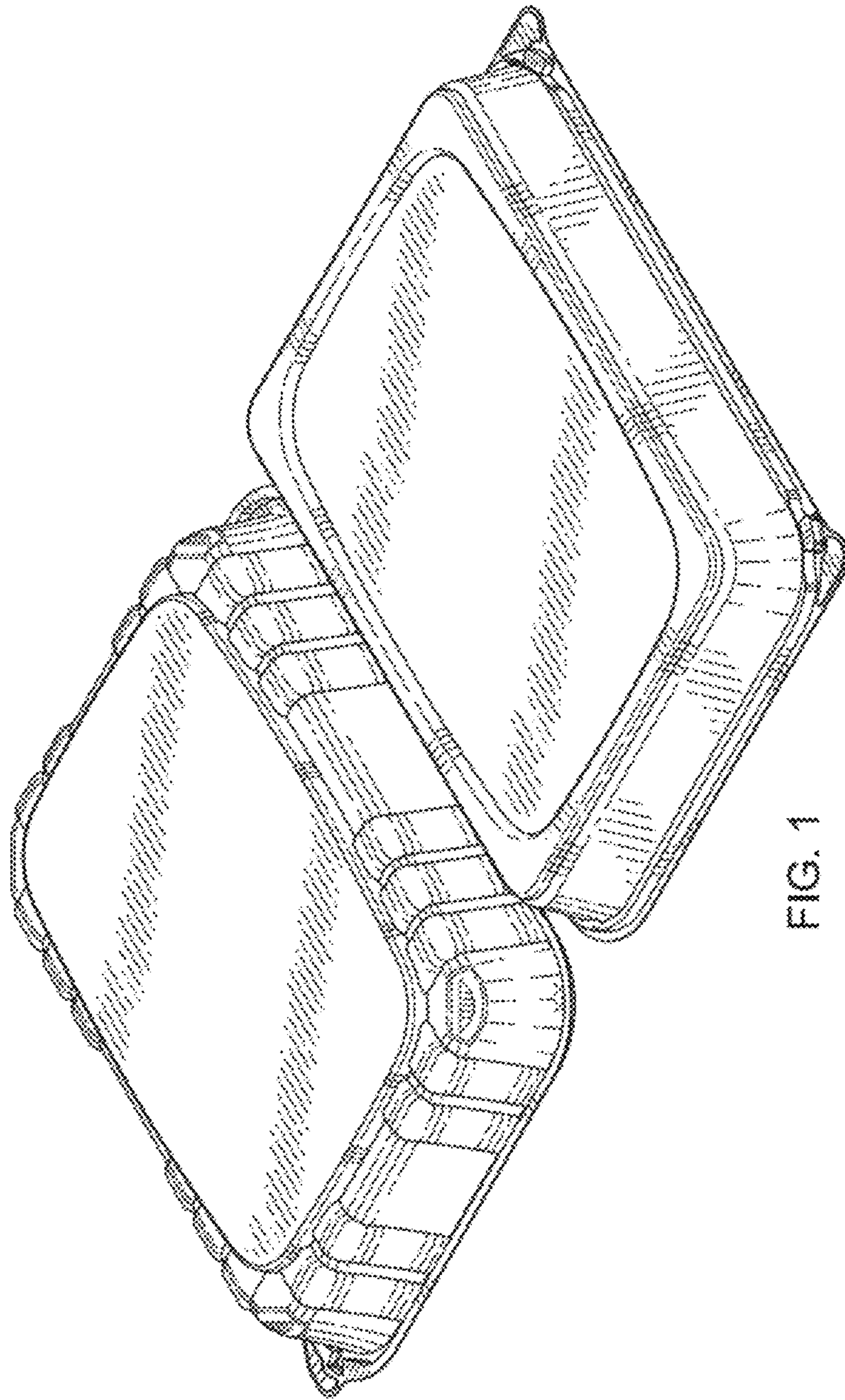


FIG. 1

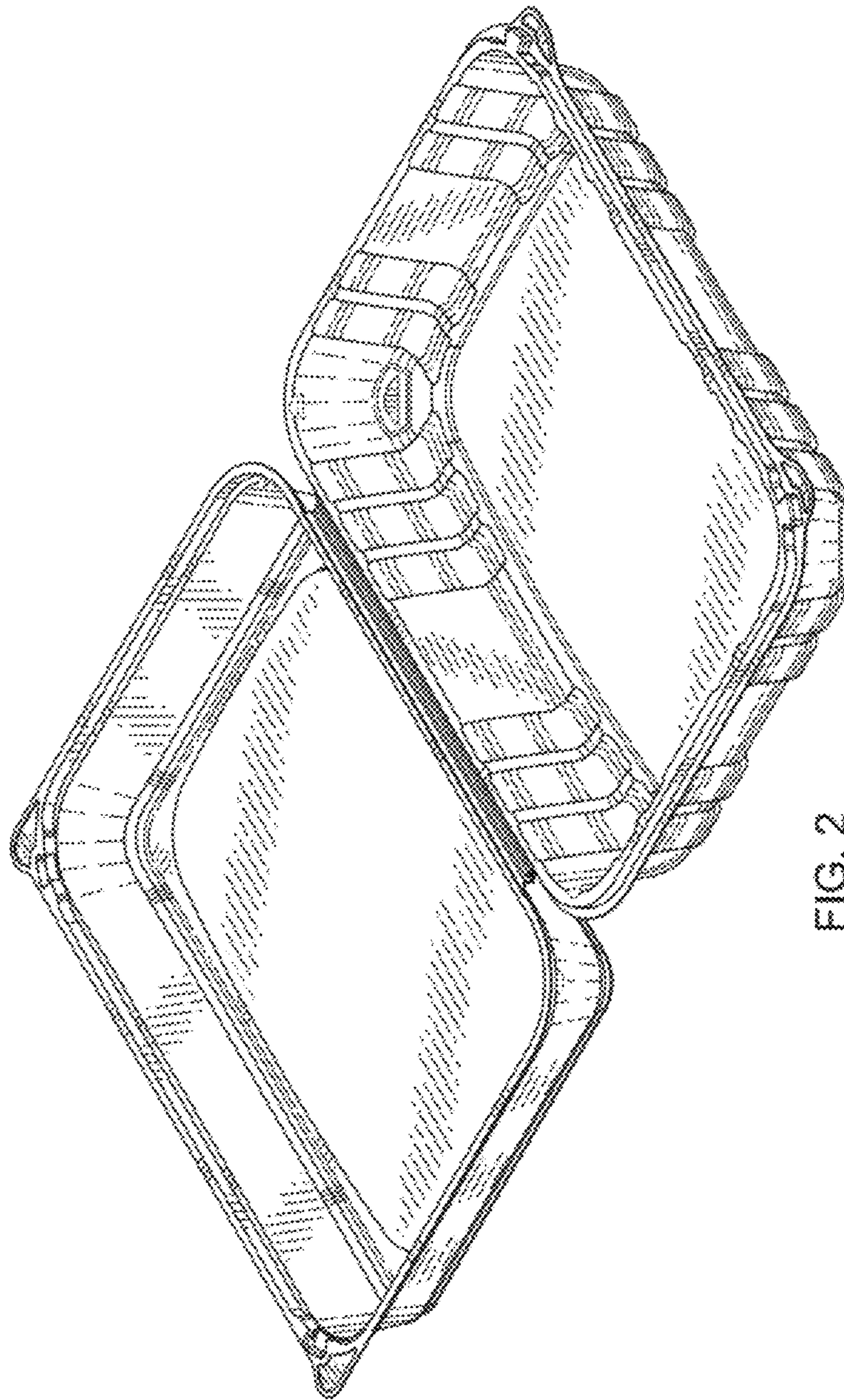


FIG. 2

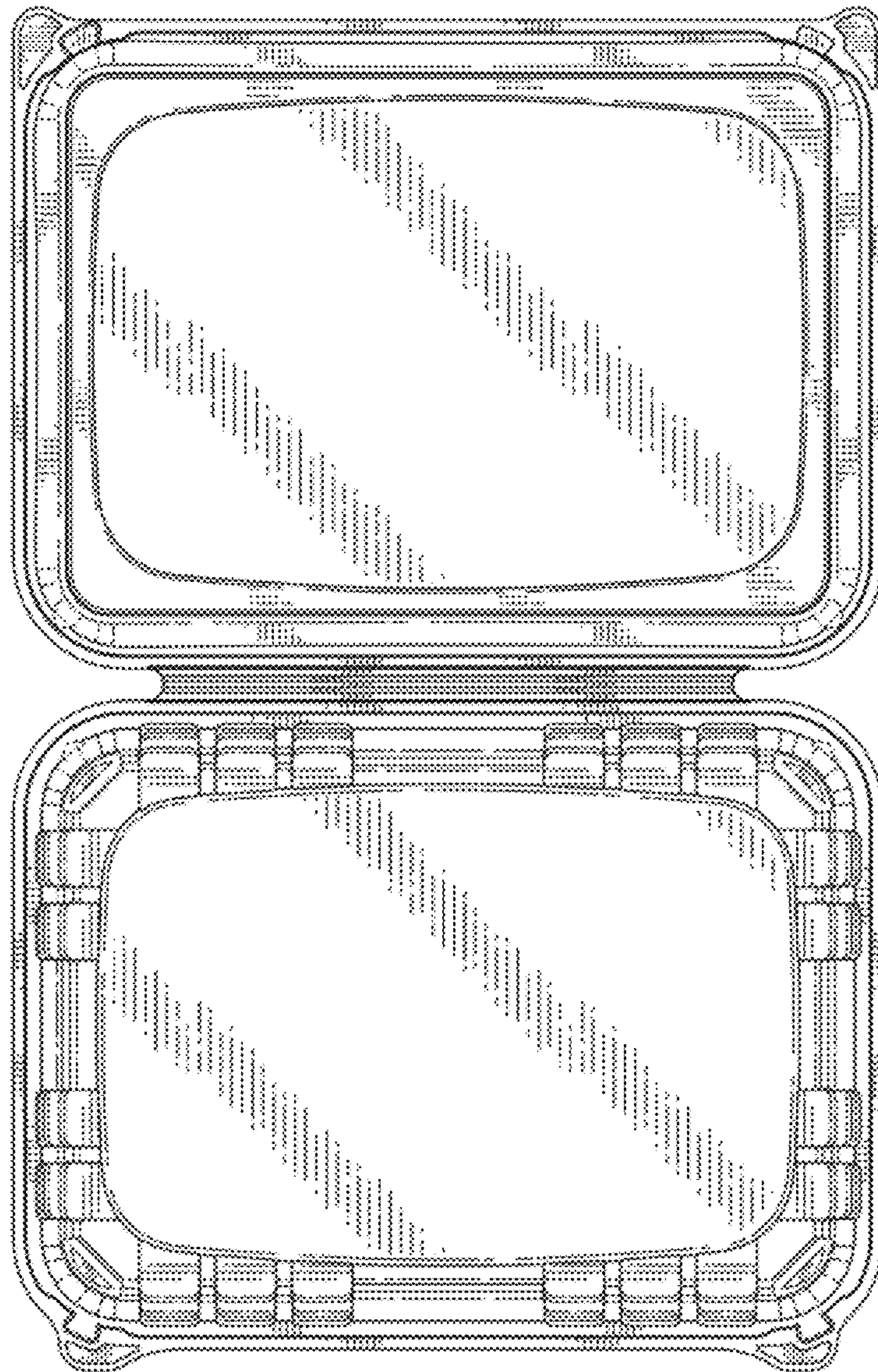


FIG. 3

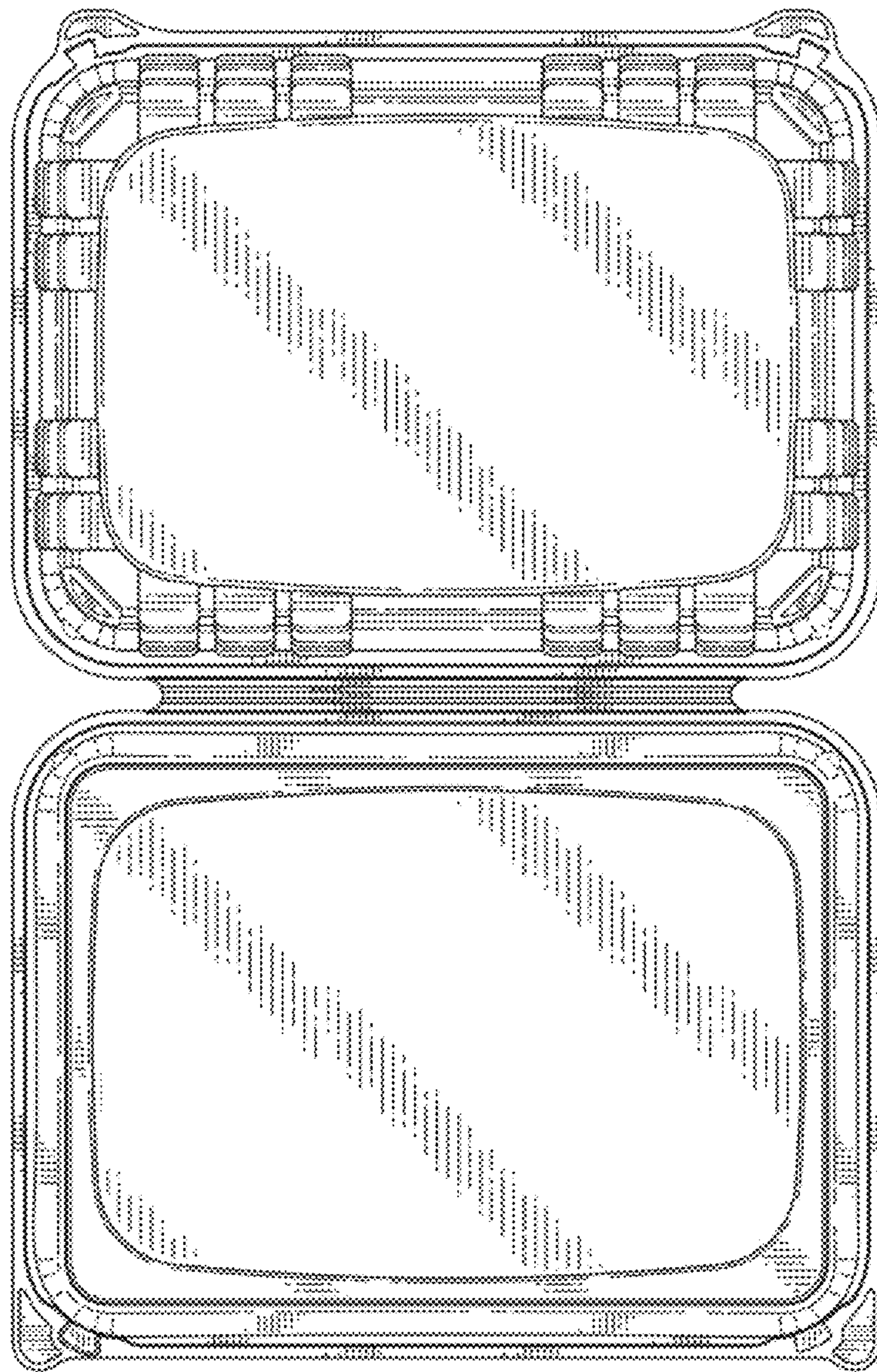


FIG. 4

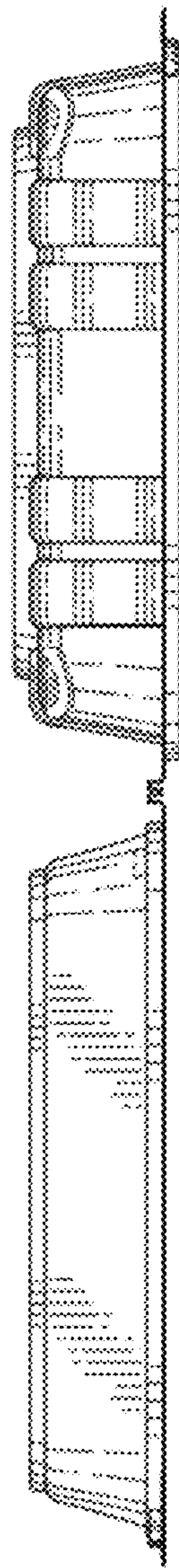


FIG. 5

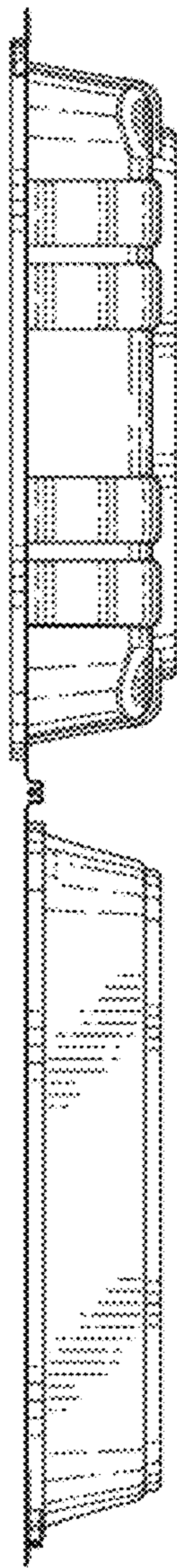


FIG. 6

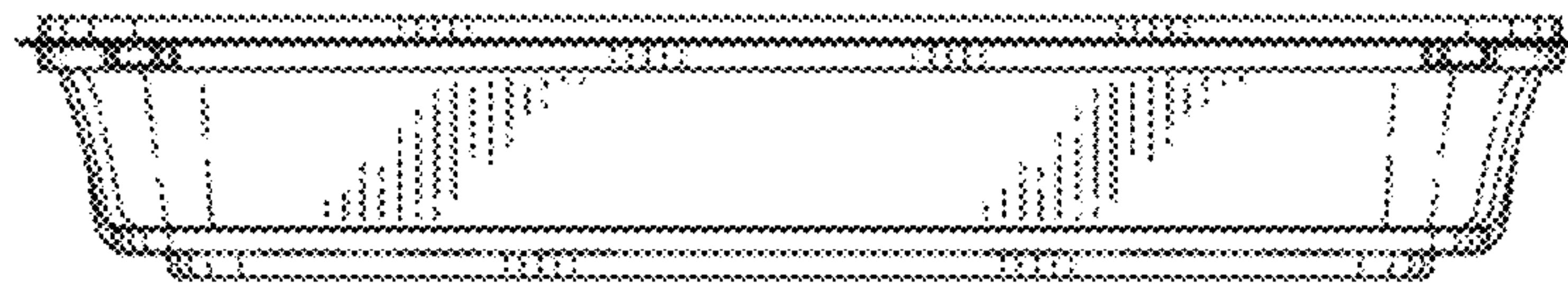


FIG. 7



FIG. 8

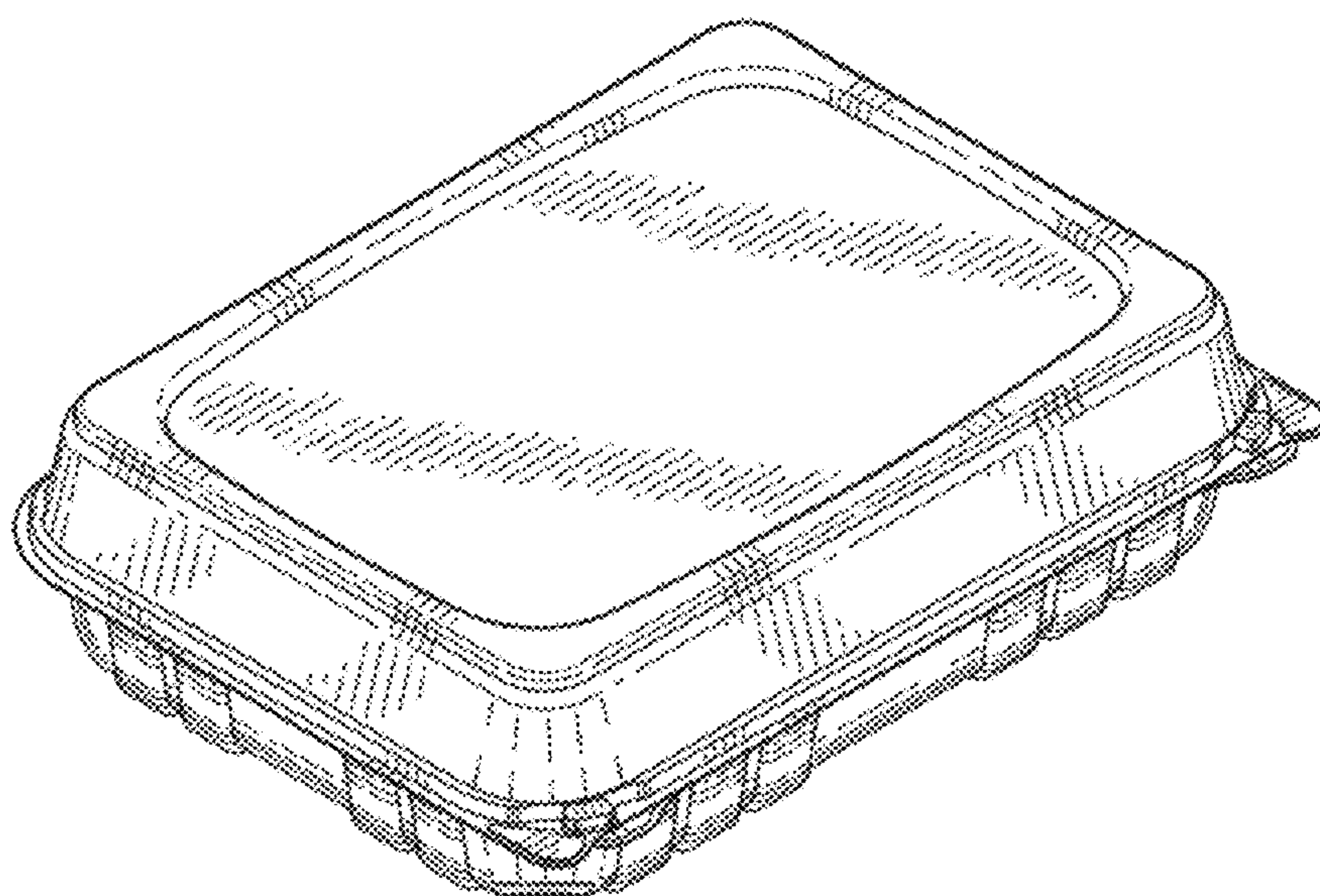


FIG. 9

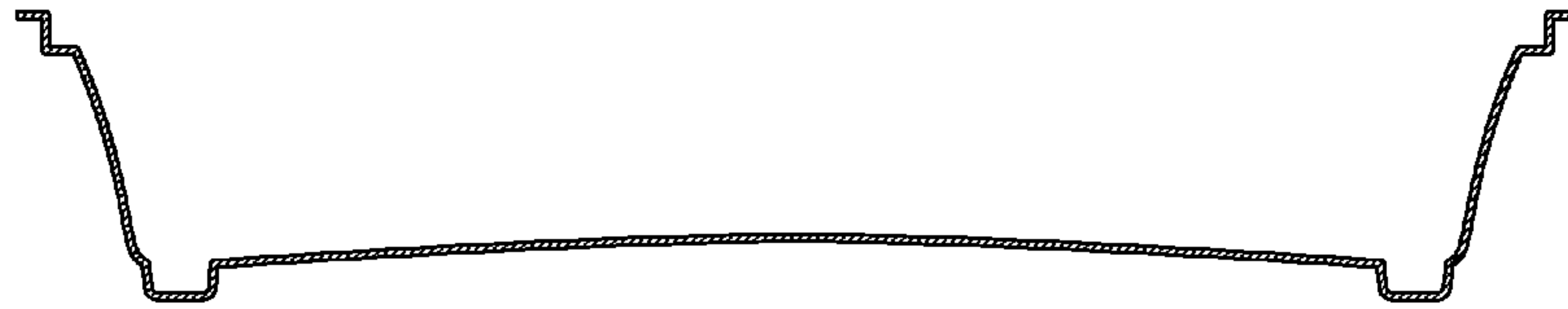


FIG. 10



FIG. 11

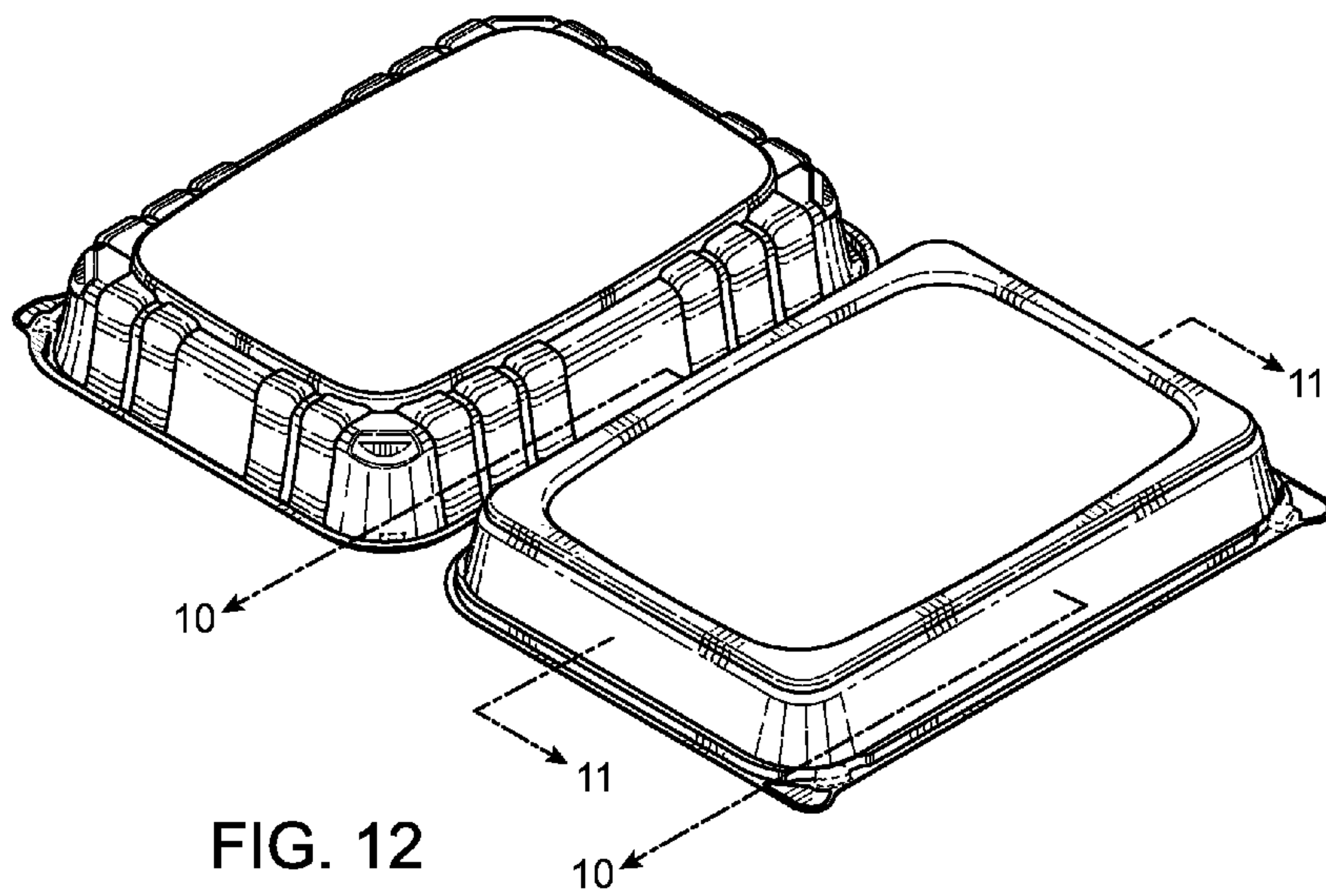


FIG. 12