



US00D668949S

(12) **United States Design Patent**
Hipperson et al.

(10) **Patent No.:** **US D668,949 S**
(45) **Date of Patent:** **** Oct. 16, 2012**

(54) **PACKAGING**

(75) Inventors: **Robert Hipperson**, Macclesfield (GB);
Sebastien Corvez, Dunkirk (FR); **Mark Kraaijenbrink**, Dunkirk (FR)

(73) Assignee: **Astrazeneca UK Limited**, London (GB)

(**) Term: **14 Years**

(21) Appl. No.: **29/381,670**

(22) Filed: **Dec. 22, 2010**

(30) **Foreign Application Priority Data**

Jul. 1, 2010 (EM) 001727058-0001

(51) **LOC (9) Cl.** **09-03**

(52) **U.S. Cl.** **D9/423**

(58) **Field of Classification Search** D9/600,
D9/667, 715, 737, 414, 420-423, 430-433;
D19/92; 206/215, 457, 485, 822; 220/890;
229/116.1-116.3

See application file for complete search history.

(56) **References Cited**

U.S. PATENT DOCUMENTS

D132,820 S * 6/1942 Wolteger D9/423
D345,101 S * 3/1994 Abrams D9/423
D351,104 S * 10/1994 Kapp D9/423
D369,295 S * 4/1996 Kobari et al. D9/423
D415,419 S * 10/1999 Abiteboul D9/423
D425,730 S * 5/2000 Murphy D6/455

D494,467 S * 8/2004 Ohno D9/433
D606,855 S * 12/2009 Jo et al. D9/423
D629,296 S * 12/2010 De Muynck D9/433

OTHER PUBLICATIONS

European Community Design Registration No. 000653233-0001,
published in the Community Designs Bulletin No. 2007/018 on Feb.
13, 2007 (4 pages).

European Community Design Registration No. 000653233-0002,
published in the Community Designs Bulletin No. 2007/018 on Feb.
13, 2007 (3 pages).

* cited by examiner

Primary Examiner — Thomas Johannes

(74) *Attorney, Agent, or Firm* — Finnegan, Henderson,
Farabow, Garrett & Dunner, LLP

(57) **CLAIM**

The ornamental design for packaging, as shown and
described.

DESCRIPTION

FIG. 1 is a perspective view of packaging showing out new
design with the lid closed;

FIG. 2 is a front view thereof;

FIG. 3 is a back view thereof;

FIG. 4 is a first side view thereof;

FIG. 5 is a second side view thereof;

FIG. 6 is a plan view thereof; and,

FIG. 7 is a perspective view thereof with the lid open, showing
an attachment comprising a leaflet.

1 Claim, 7 Drawing Sheets

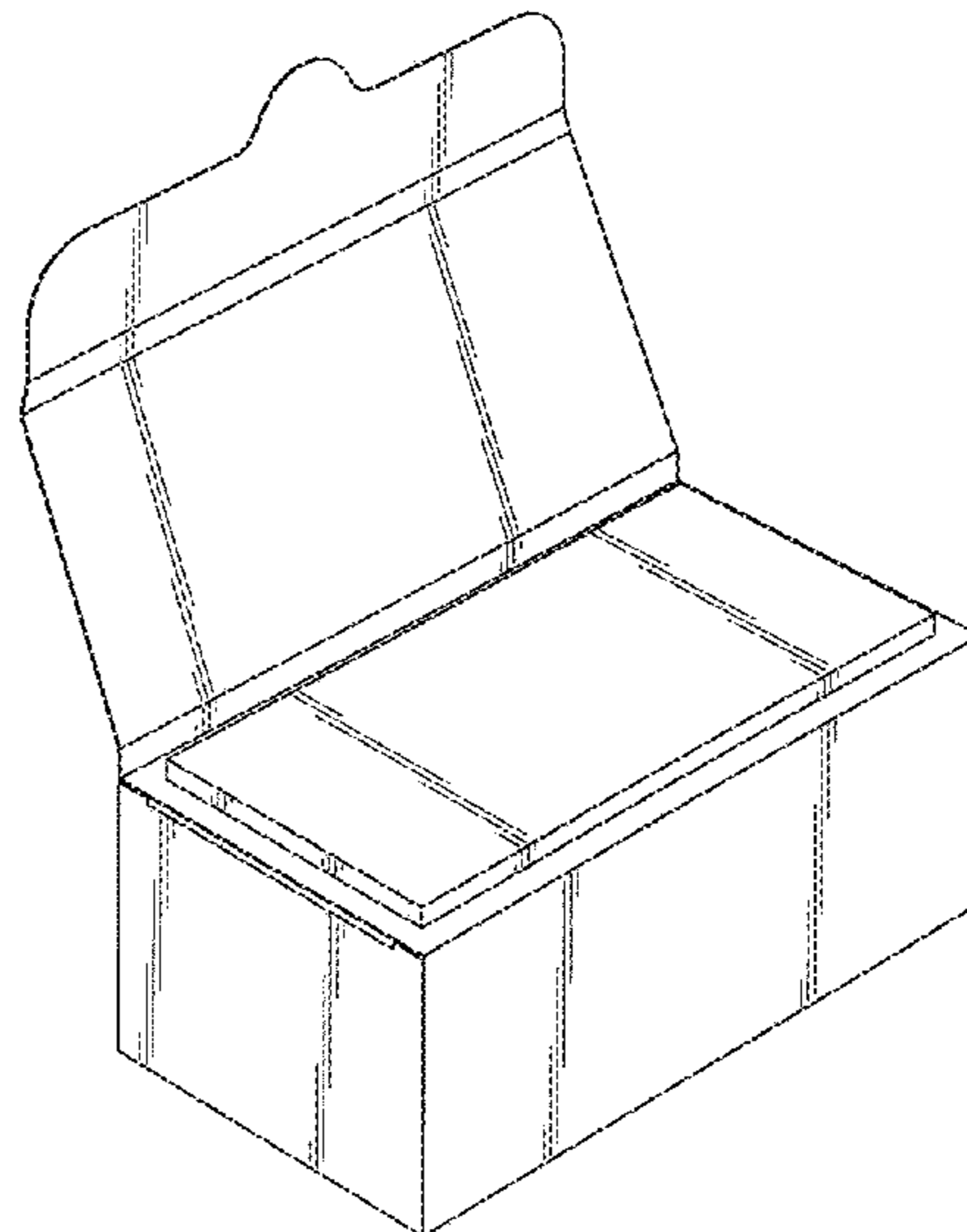
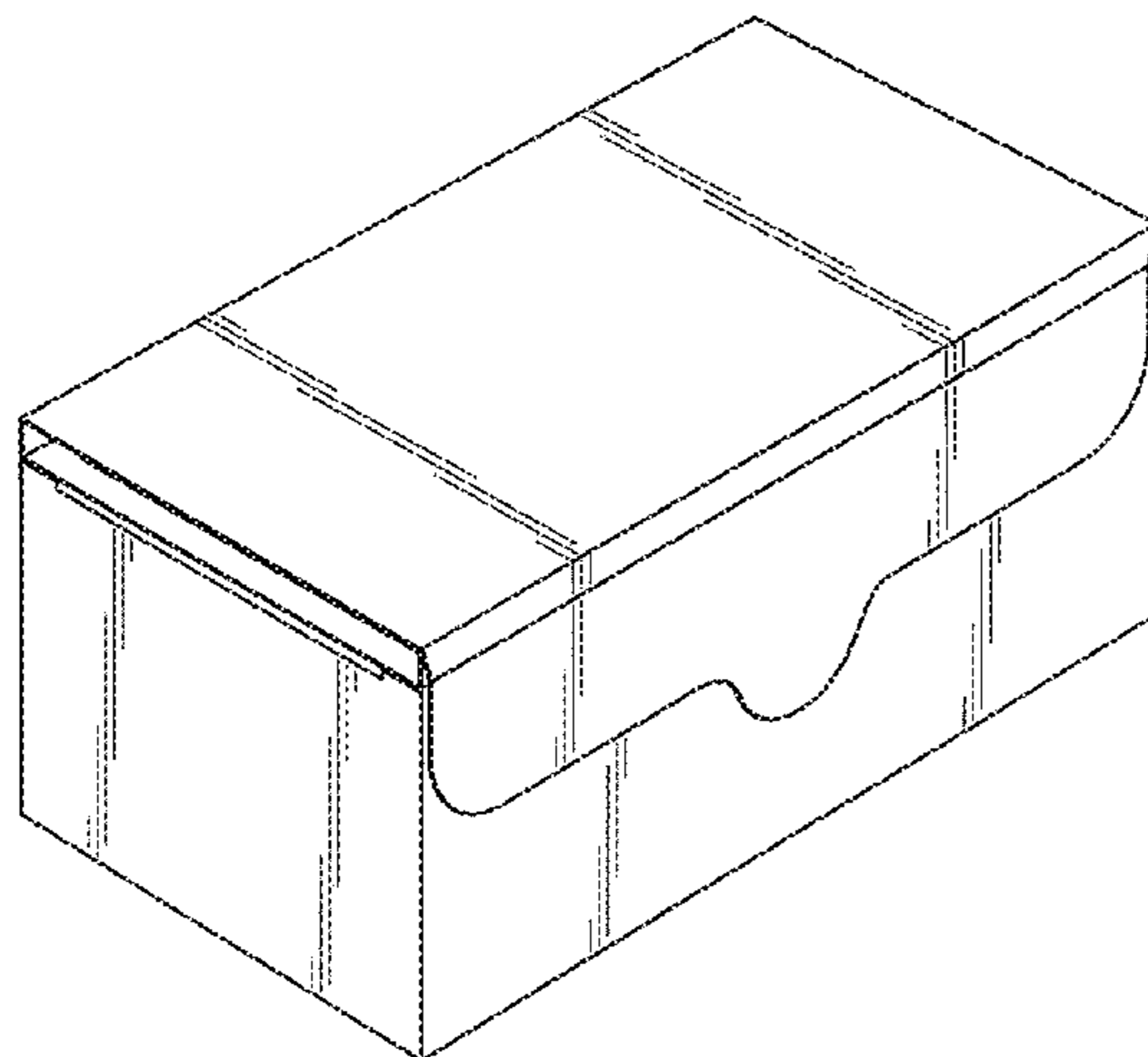


Figure 1

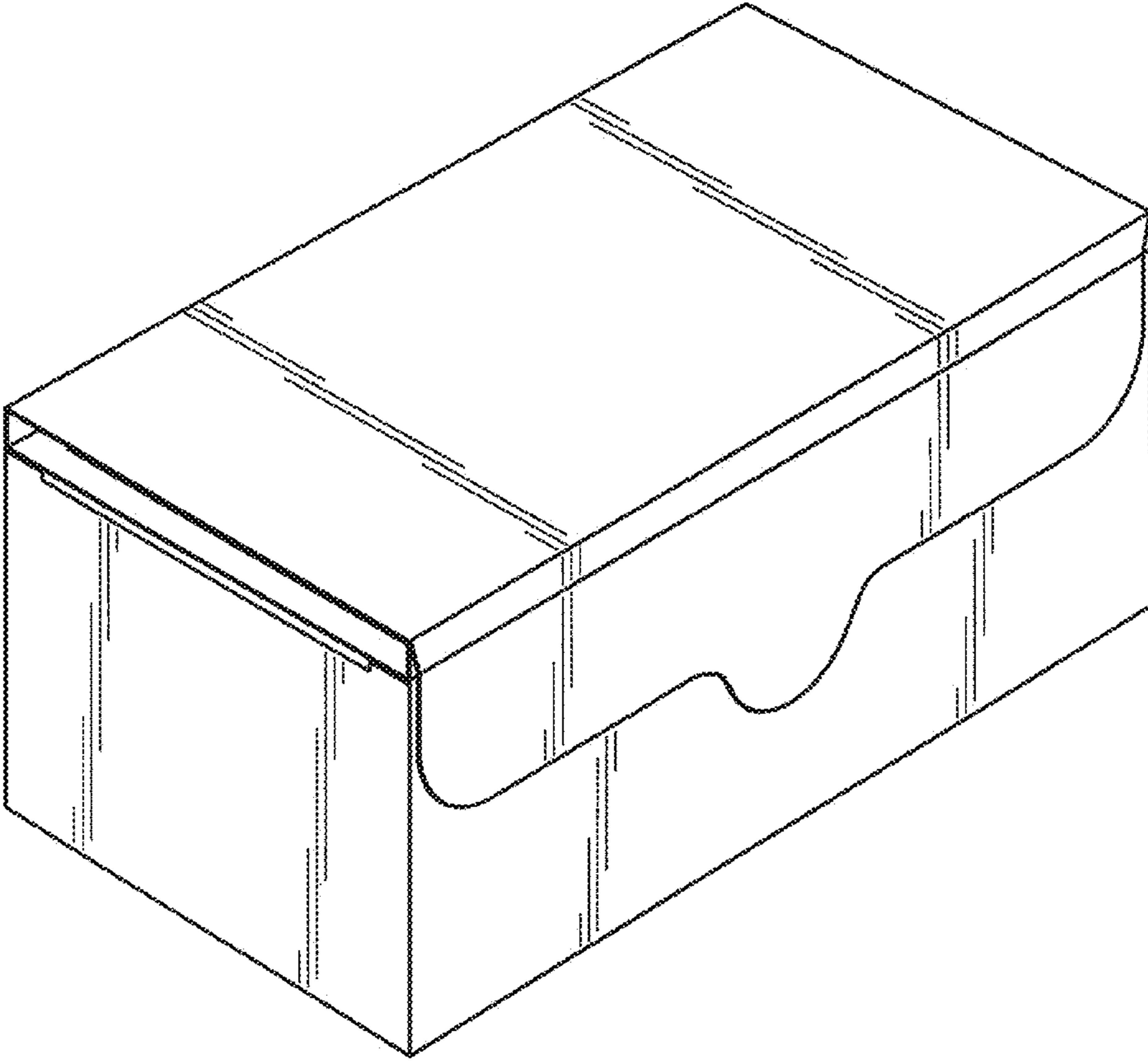


Figure 2

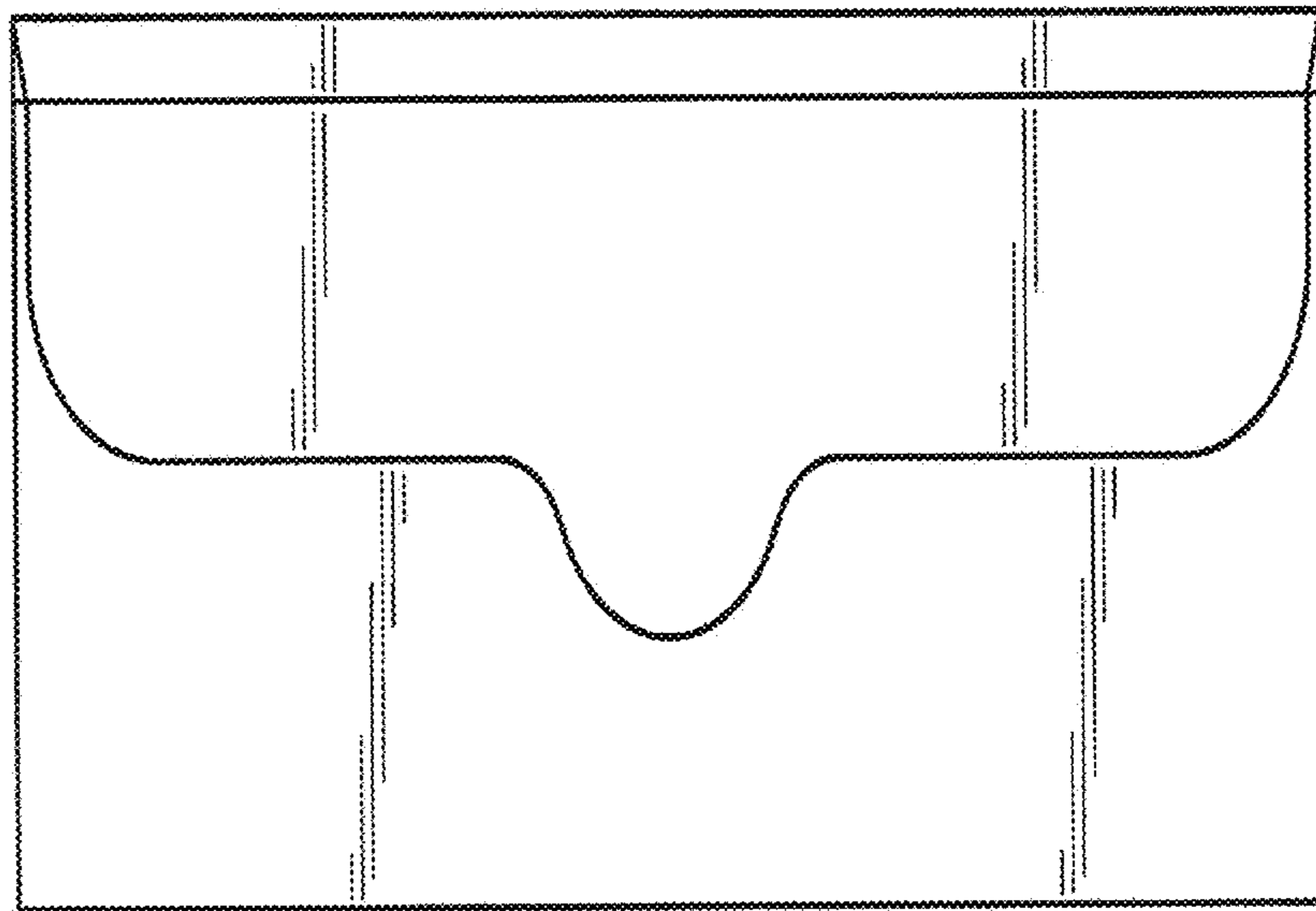


Figure 3

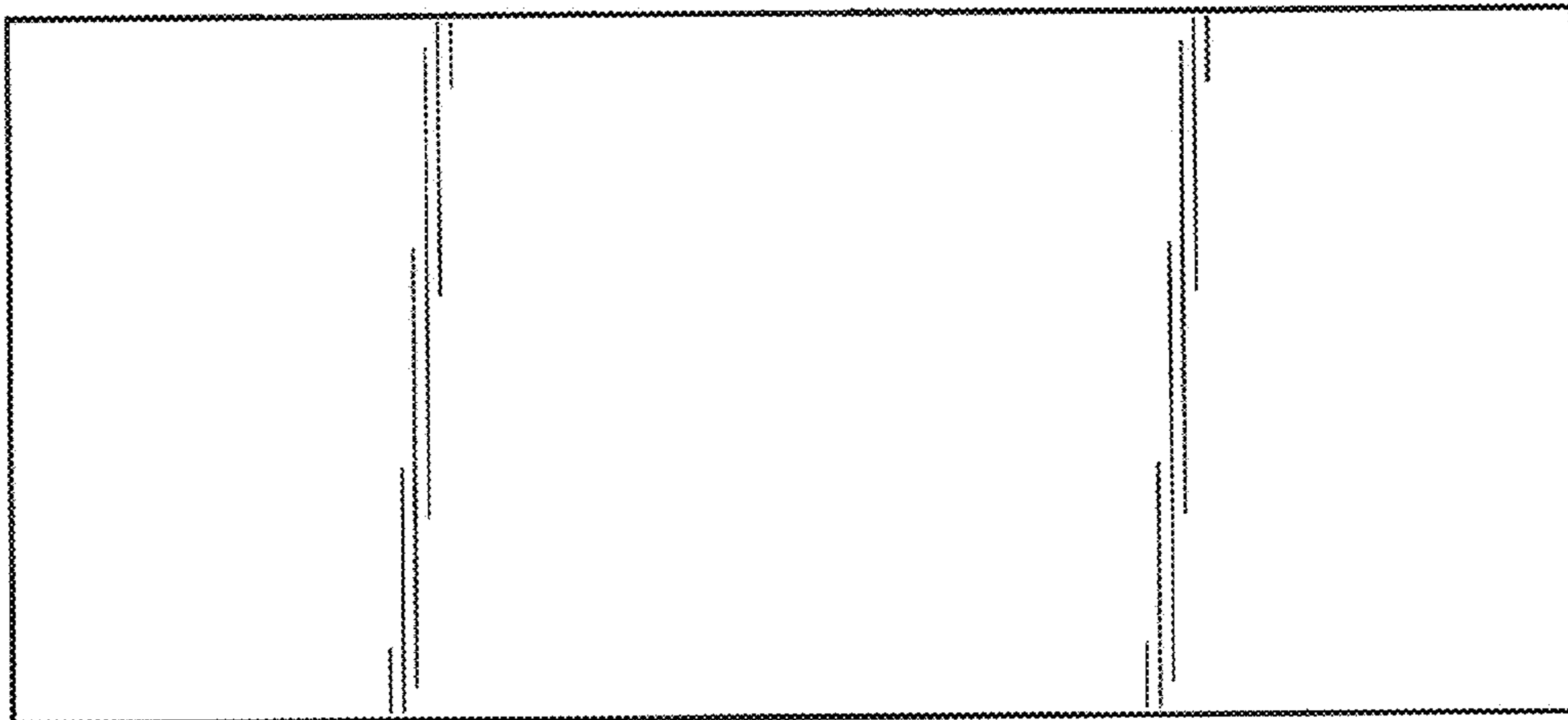


Figure 4

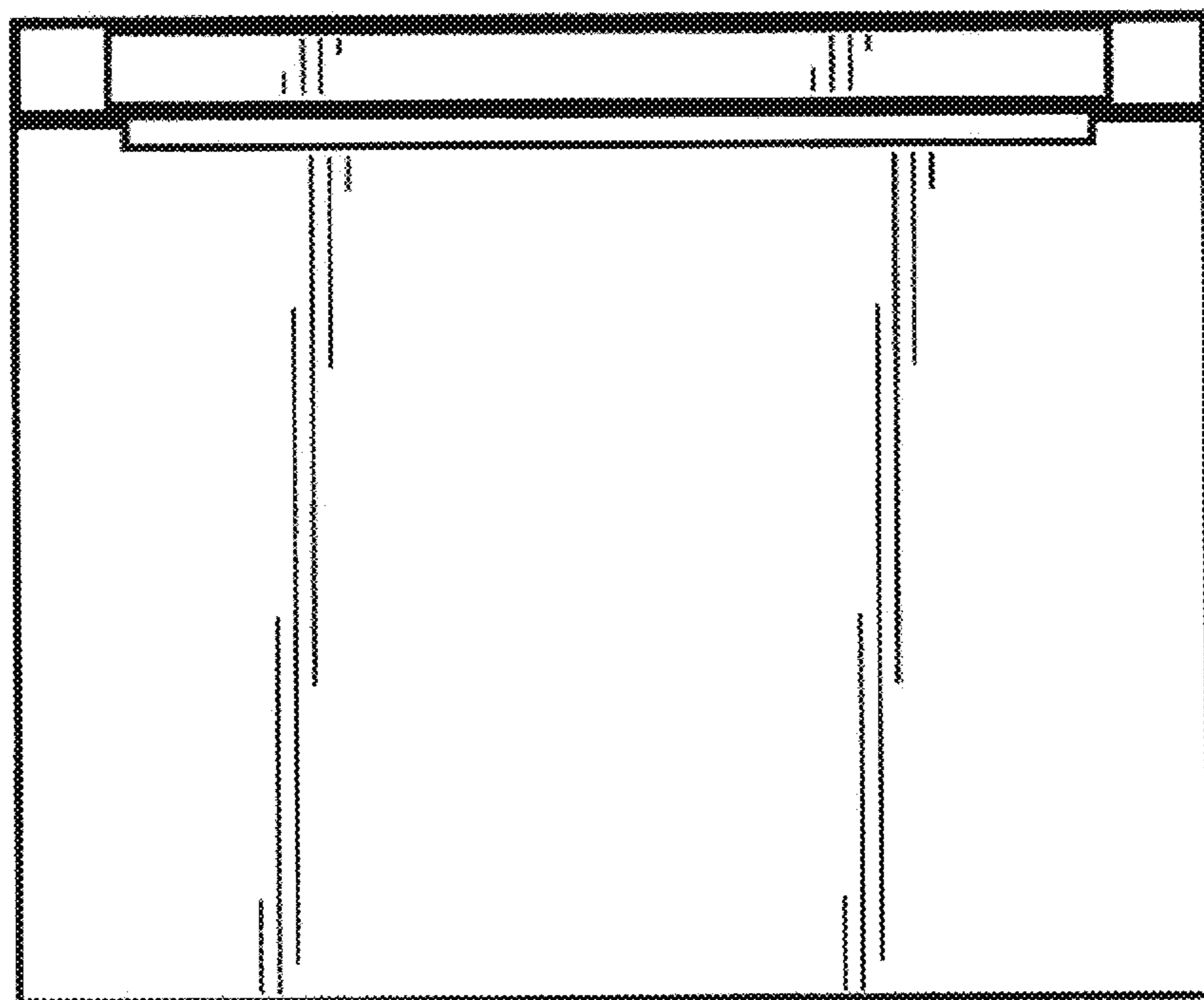


Figure 5

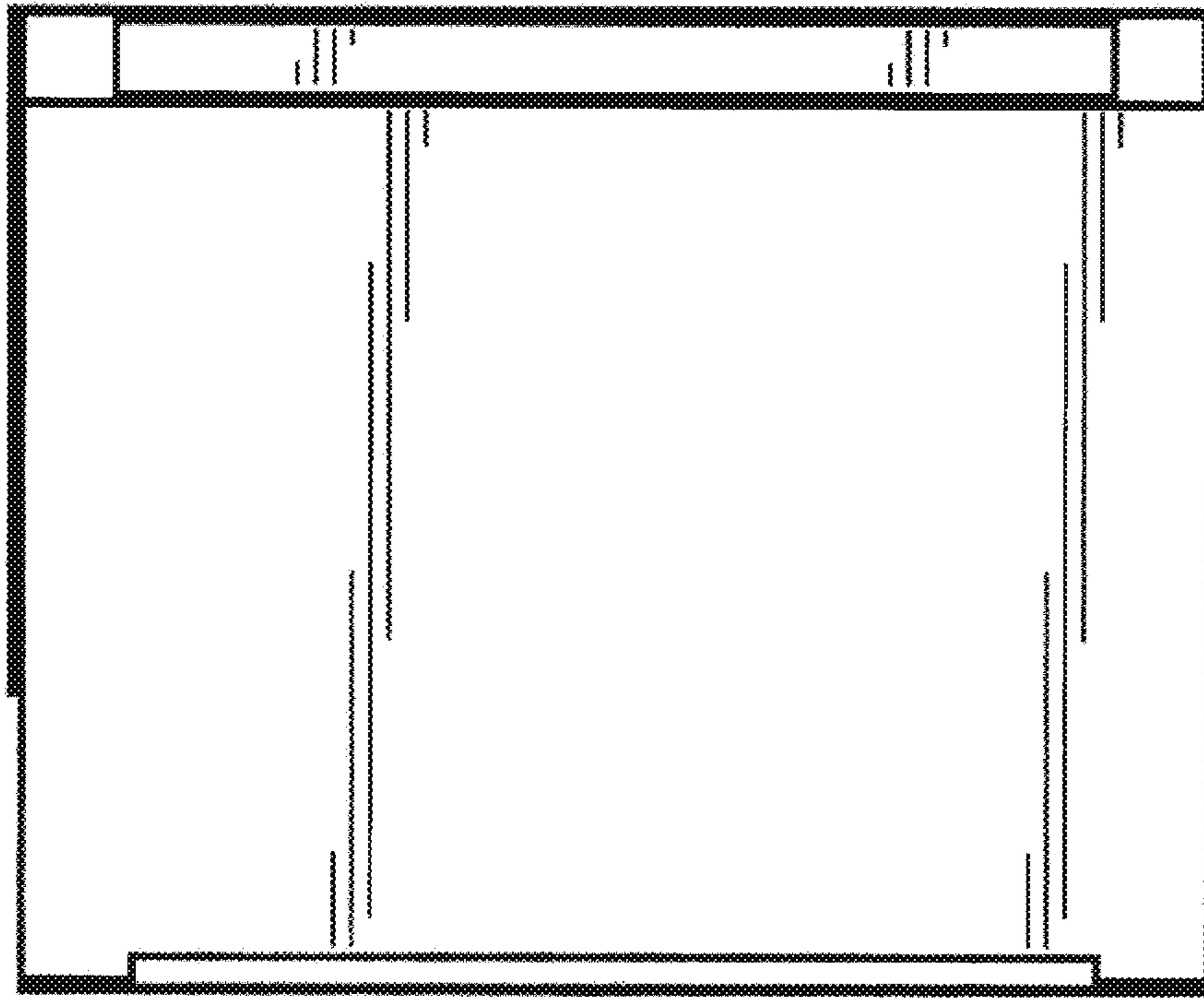


Figure 6

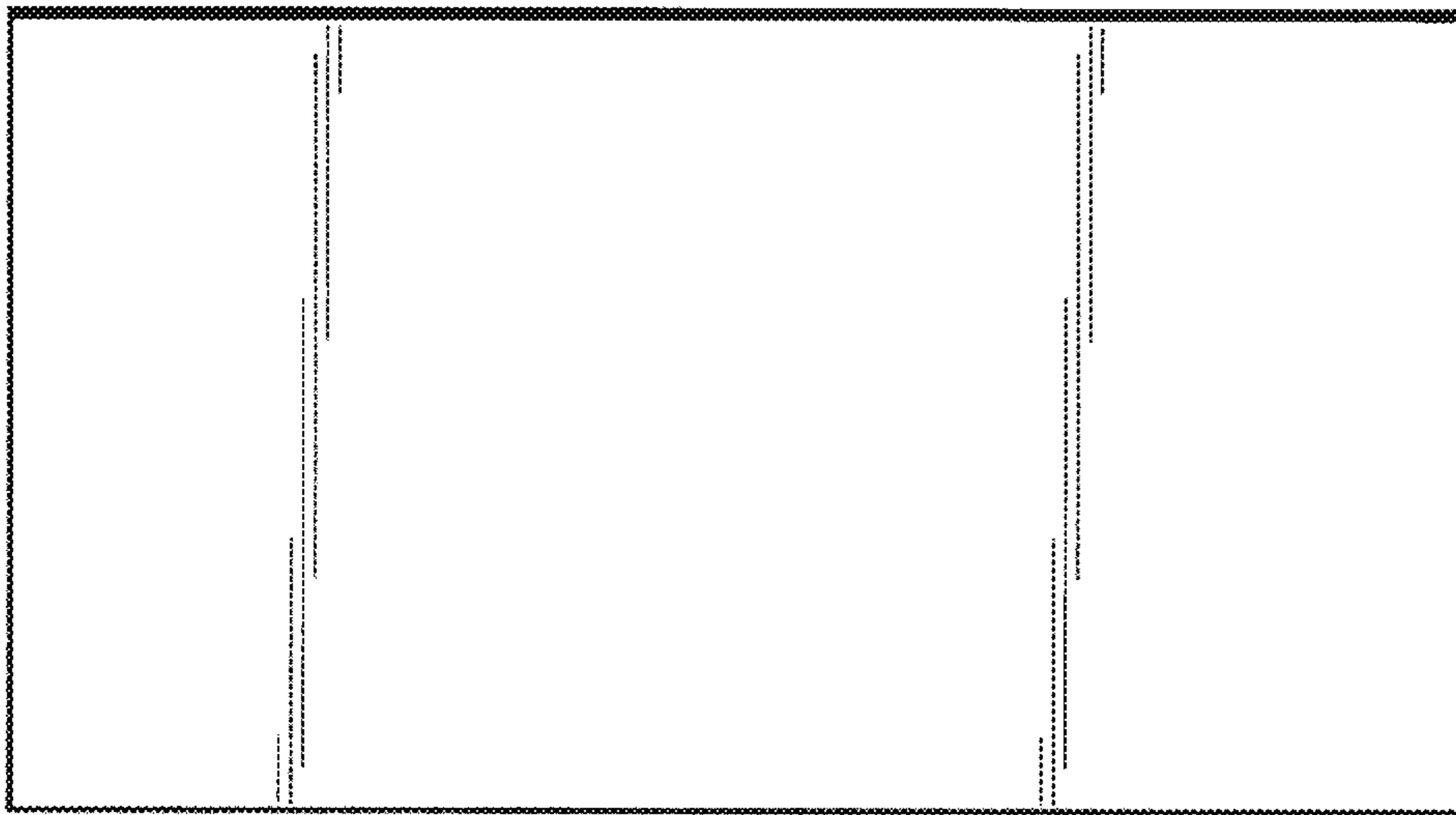


Figure 7

