



US00D668948S

(12) **United States Design Patent**
LaTrobe

(10) **Patent No.:** **US D668,948 S**
(45) **Date of Patent:** **** Oct. 16, 2012**

(54) **DISPLAY PACKAGE**

(75) Inventor: **Christopher W. LaTrobe**, Chicago, IL (US)

(73) Assignee: **S. A. Gems Distributors Inc.**, Chicago, IL (US)

(**) Term: **14 Years**

(21) Appl. No.: **29/381,040**

(22) Filed: **Dec. 14, 2010**

(51) **LOC (9) Cl.** **09-03**

(52) **U.S. Cl.** **D9/423; D9/418; D9/433**

(58) **Field of Classification Search** D9/715,
D9/721, 722, 414, 415, 418, 420, 422, 423,
D9/432, 433, 434, 435, 436, 346, 522; 206/45,
206/46, 232, 320, 387.1, 387.13, 461-471,
206/775, 776, 781, 782, 562-564, 588-592;
229/87, 160.2, 23 TB

See application file for complete search history.

(56) **References Cited**

U.S. PATENT DOCUMENTS

D129,731	S *	9/1941	Luttrell	D9/418
D265,551	S *	7/1982	Colby et al.	D9/415
5,409,105	A *	4/1995	Appelbaum et al.	206/6.1
D446,114	S *	8/2001	Stephens	D9/418
D458,123	S *	6/2002	Rick et al.	D9/415
6,659,271	B2 *	12/2003	Parsons	206/232
D632,169	S *	2/2011	Ruth	D9/423
D636,662	S *	4/2011	Ignacio et al.	D9/418

OTHER PUBLICATIONS

Certiline Srl, "The CertiCard Idea", [online] [retrieved on Dec. 20, 2010], retrieved from <http://www.certiline.com/certicards_htm>, 4 pages.

Certiline Srl product information page, "About Certiline . . .," undated, Certiline Srl, Varese, Italy, 1 page.

Certiline Srl product information page, "CertiCard® the Best to hold the Best, The Unique AntiCounterfeiting Security Package for Your Precious Contents", Copyright 2009, Certiline Srl, Varese, Italy, 1 page.

Certiline Srl product information page, "Certiline, TP1—Manual Thermopress for One Single CertiCard®", Copyright 2009, Certiline Srl, Varese, Italy, 1 page.

Certiline Srl product information page, "Certiline, TP2—Semi Automatic Thermopress for CertiCard®", Copyright 2009, Certiline Srl, Varese, Italy, 1 page.

Press release article dated Aug. 6, 2009, entitled "New GIA Sealing Service for Diamonds", [retrieved on Dec. 20, 2010], retrieved from <<http://www.gia.edu/nav/toolbar/newsroom/news-releases/2009news-releases/gia-sealing-service-for-diamonds.html>>, 2 pages.

Stuller, "Red Box Diamonds®", [online] [retrieved on Dec. 20, 2010], retrieved from <<http://www.stuller.com/pp/52/?id=52>>, Copyright 2010, 1 page.

* cited by examiner

Primary Examiner — Thomas Johannes

(74) *Attorney, Agent, or Firm* — McCracken & Frank LLC

(57) **CLAIM**

The ornamental design for a display package, as shown and described.

DESCRIPTION

FIG. 1 is a front, top, and right side isometric view of a first embodiment of a display package showing my new design;

FIG. 2 is a front elevation view thereof;

FIG. 3 is a back elevation view thereof;

FIG. 4 is a top plan view thereof;

FIG. 5 is a right side elevation view thereof, wherein the left side elevation view is a mirror image thereto;

FIG. 6 is a bottom plan view thereof;

FIG. 7 is an interior isometric view thereof in an opened condition;

FIG. 8 is a front, top, and right side isometric view of a second embodiment of a display package showing my new design;

FIG. 9 is a front elevation view thereof;

FIG. 10 is a back elevation view thereof;

FIG. 11 is a top plan view thereof;

FIG. 12 is a right side elevation view thereof, wherein the left side elevation view is a mirror image thereto;

FIG. 13 is a bottom plan view thereof; and,

FIG. 14 is an interior isometric view thereof in an opened condition.

The broken lines are for the purpose of illustrating environmental structure and form no part of the claimed design.

1 Claim, 8 Drawing Sheets

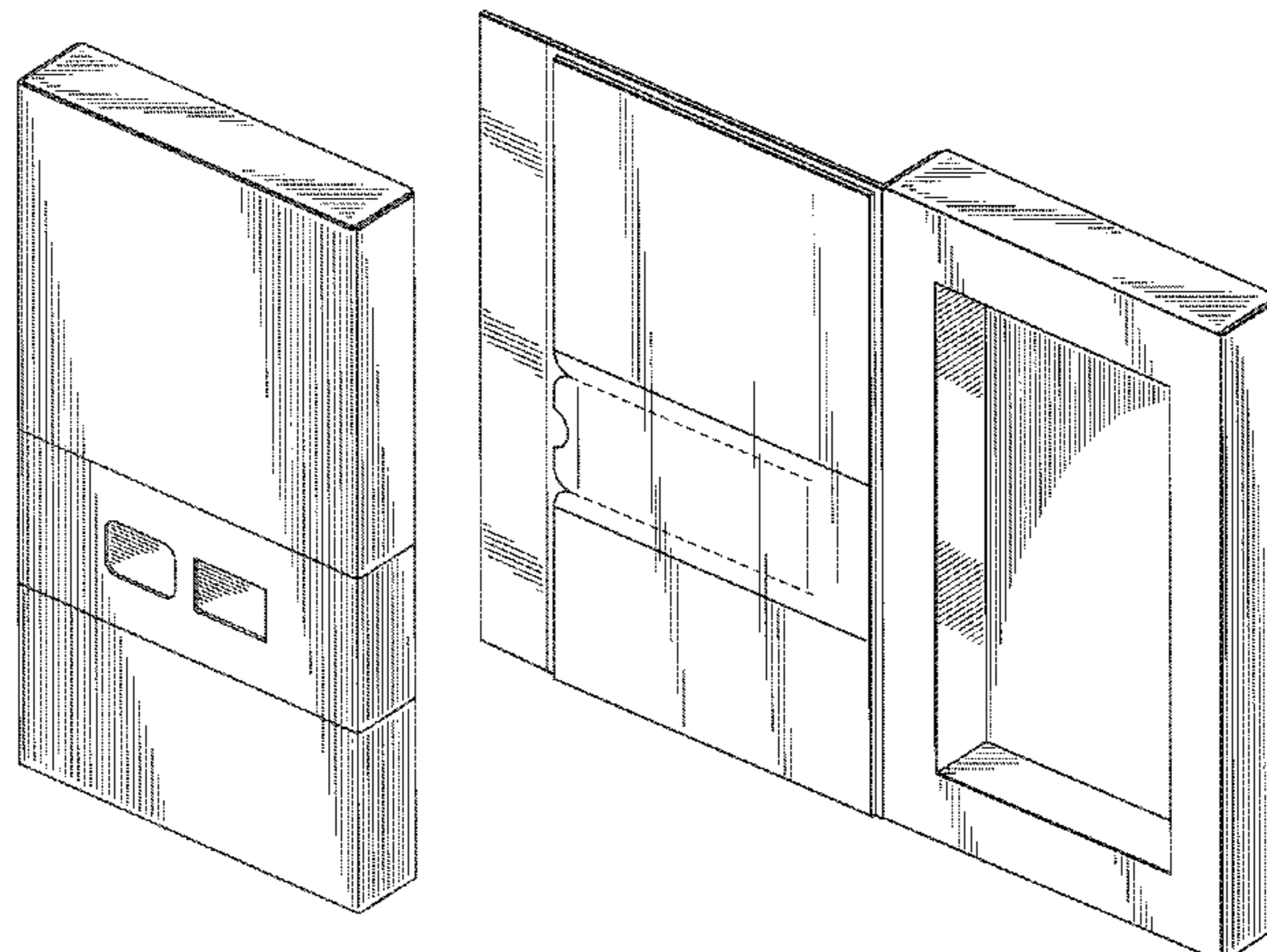


FIG. 1

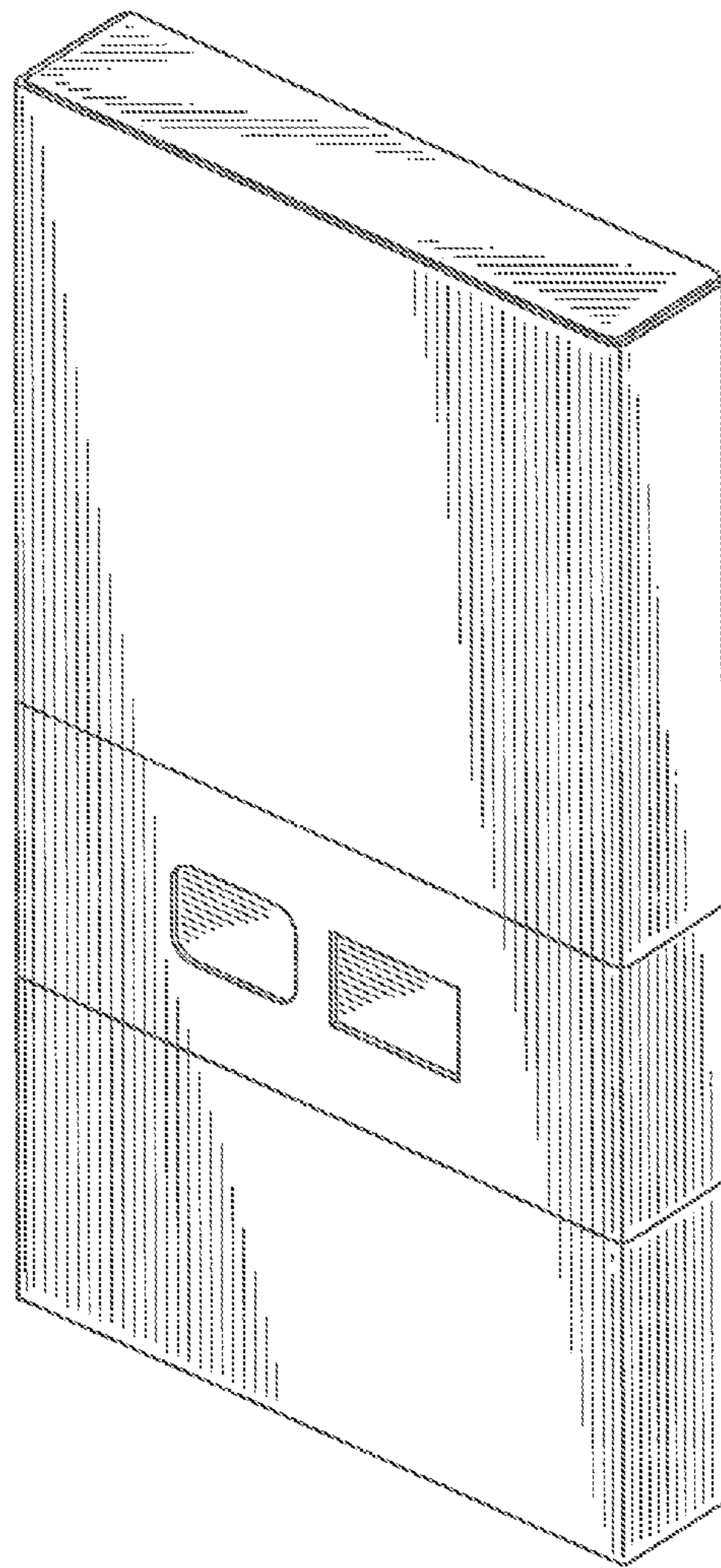


FIG. 2

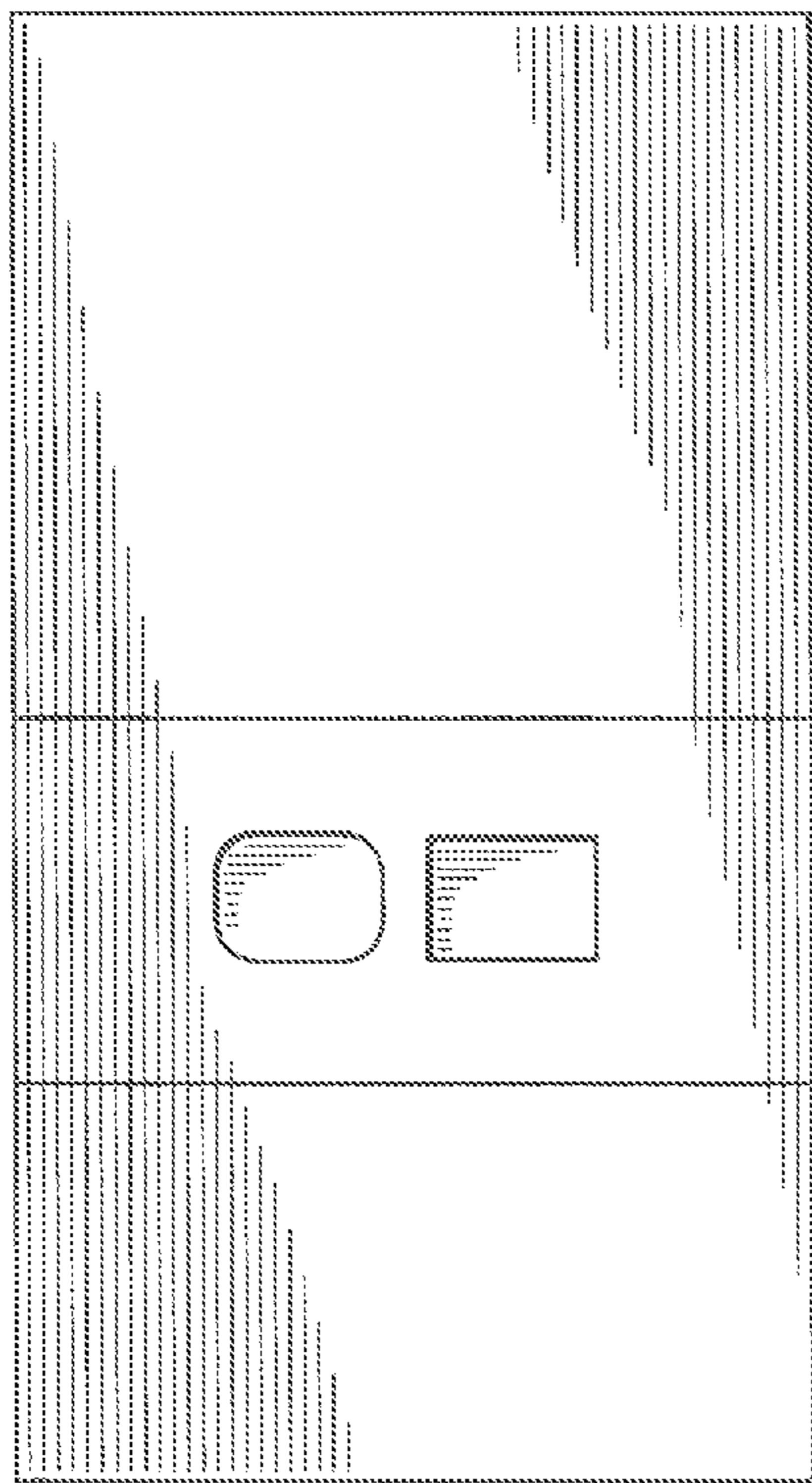


FIG. 3

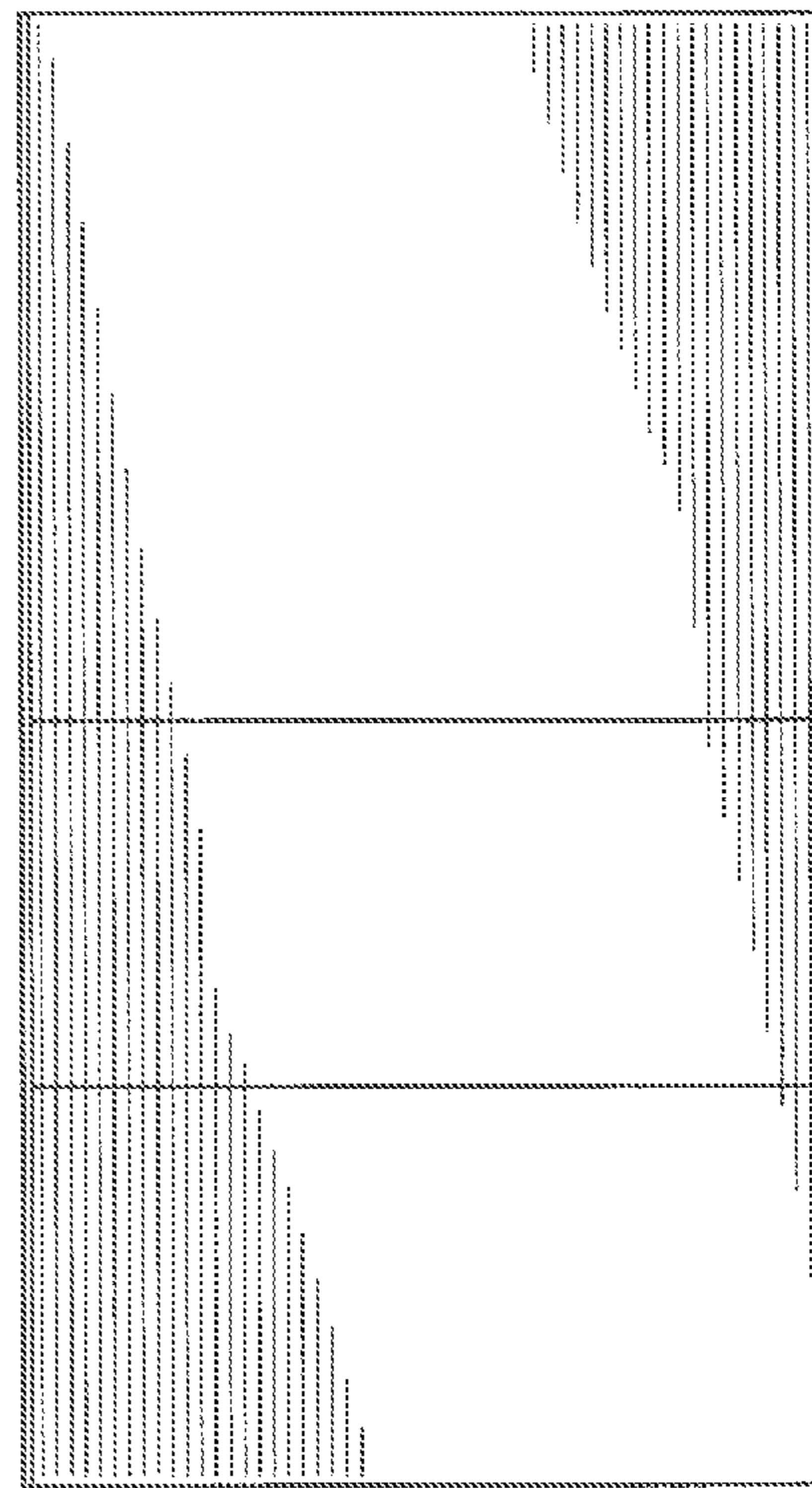


FIG. 4



FIG. 6

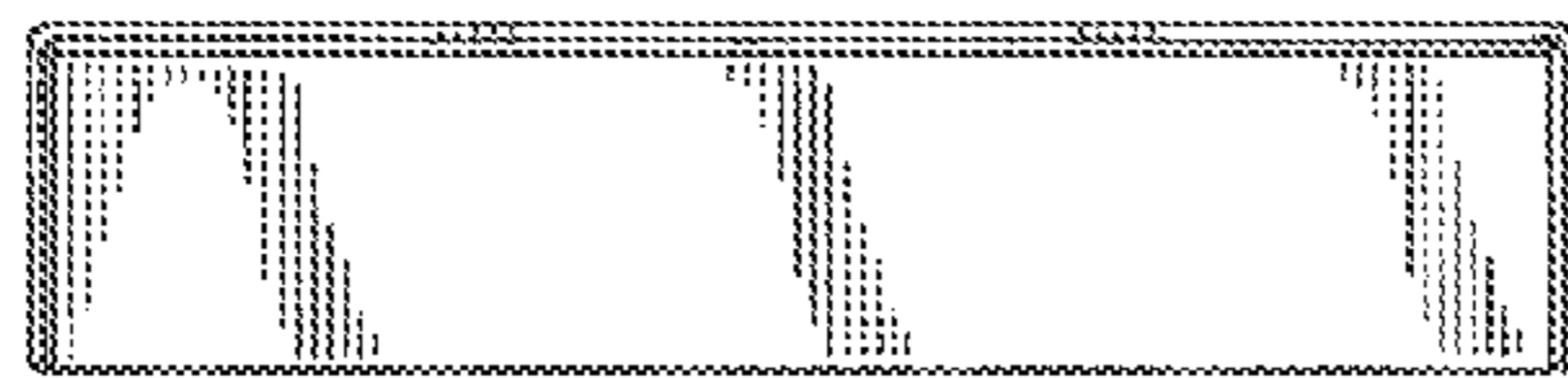


FIG. 5

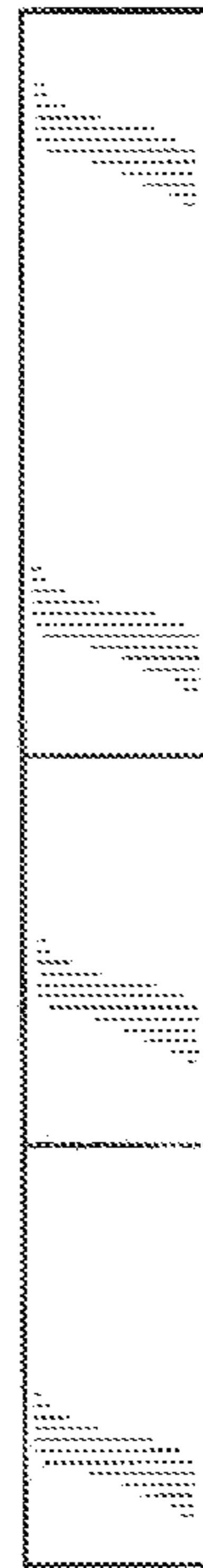


FIG. 7

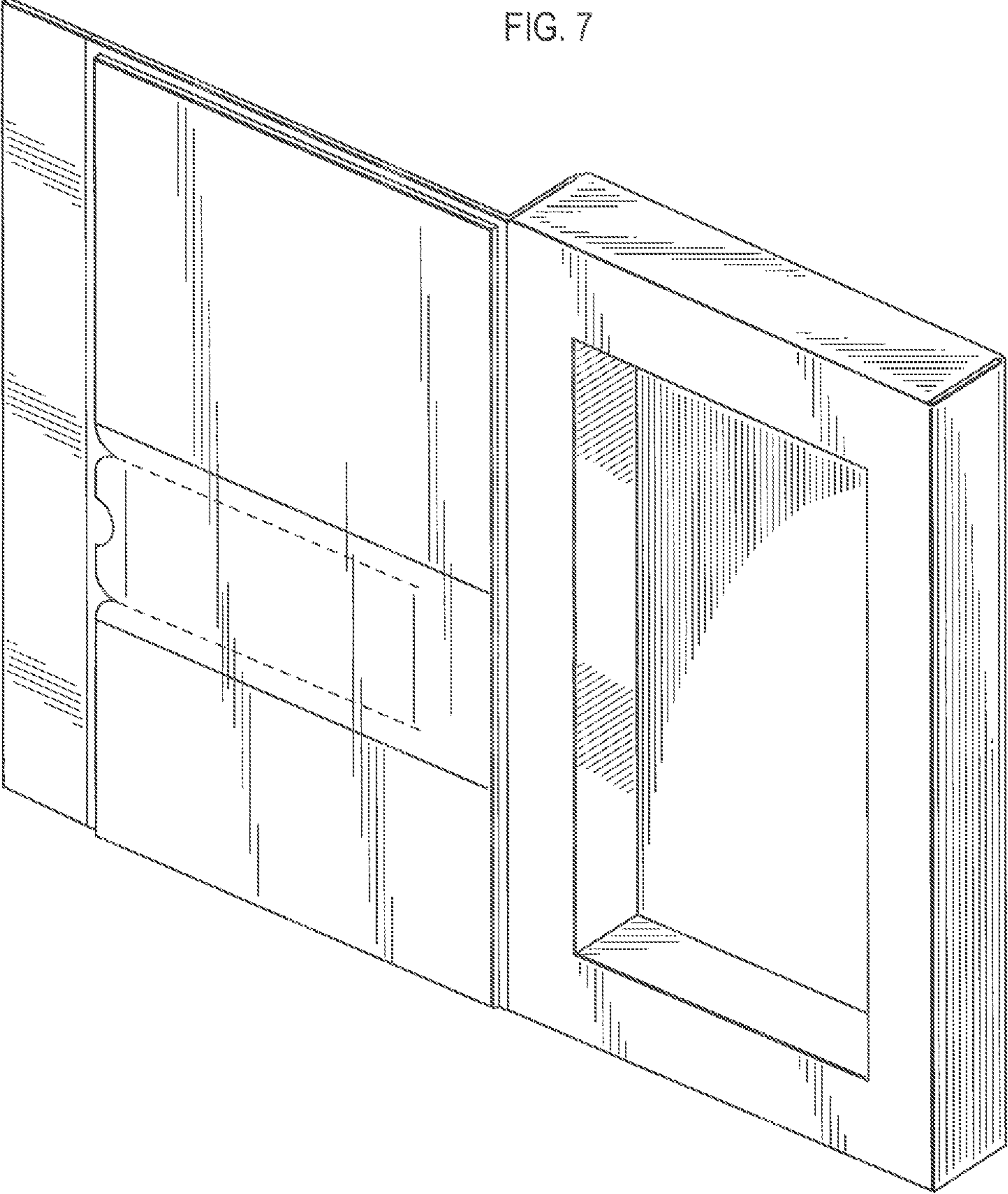


FIG. 8

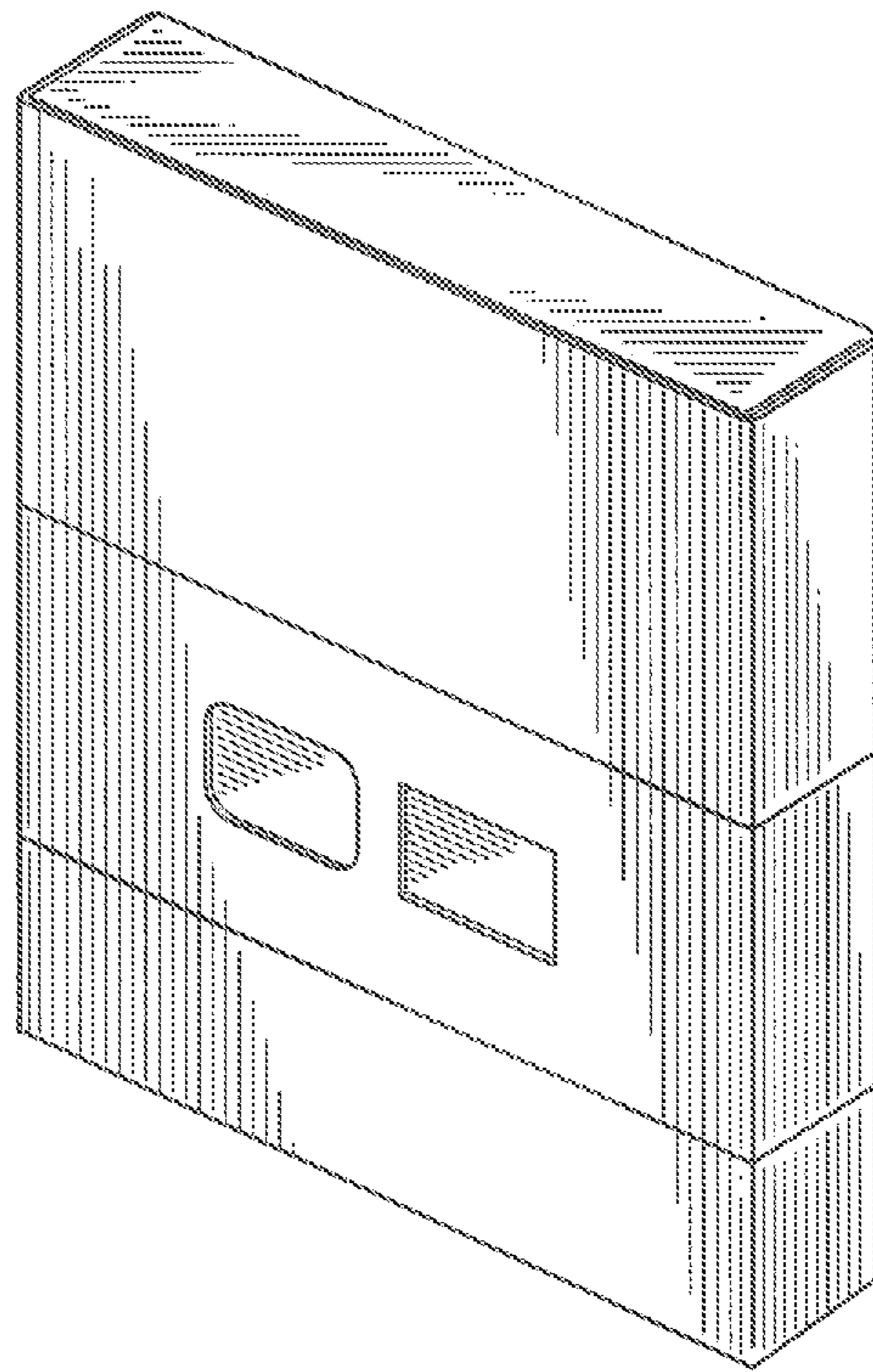


FIG. 9

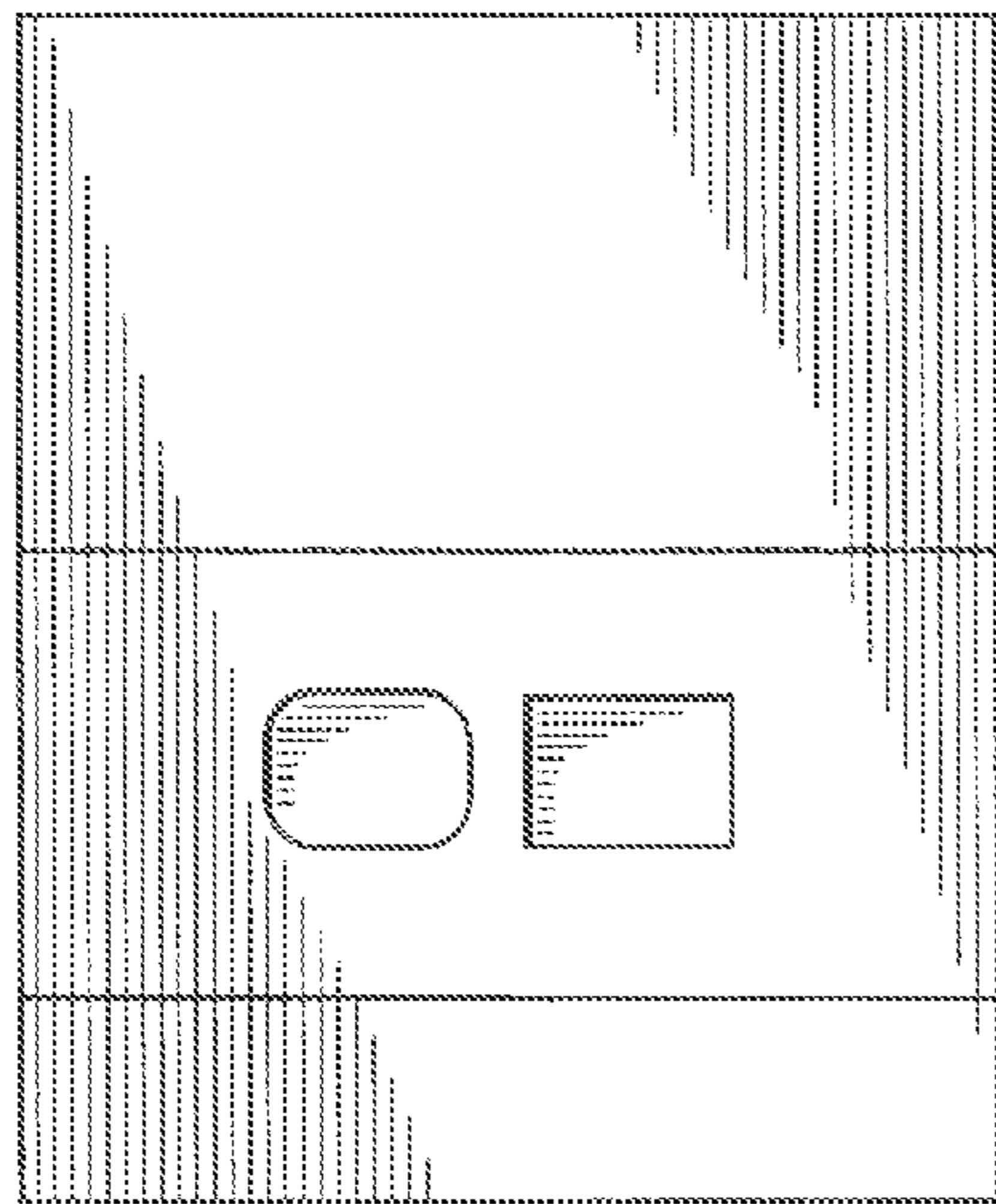


FIG. 10

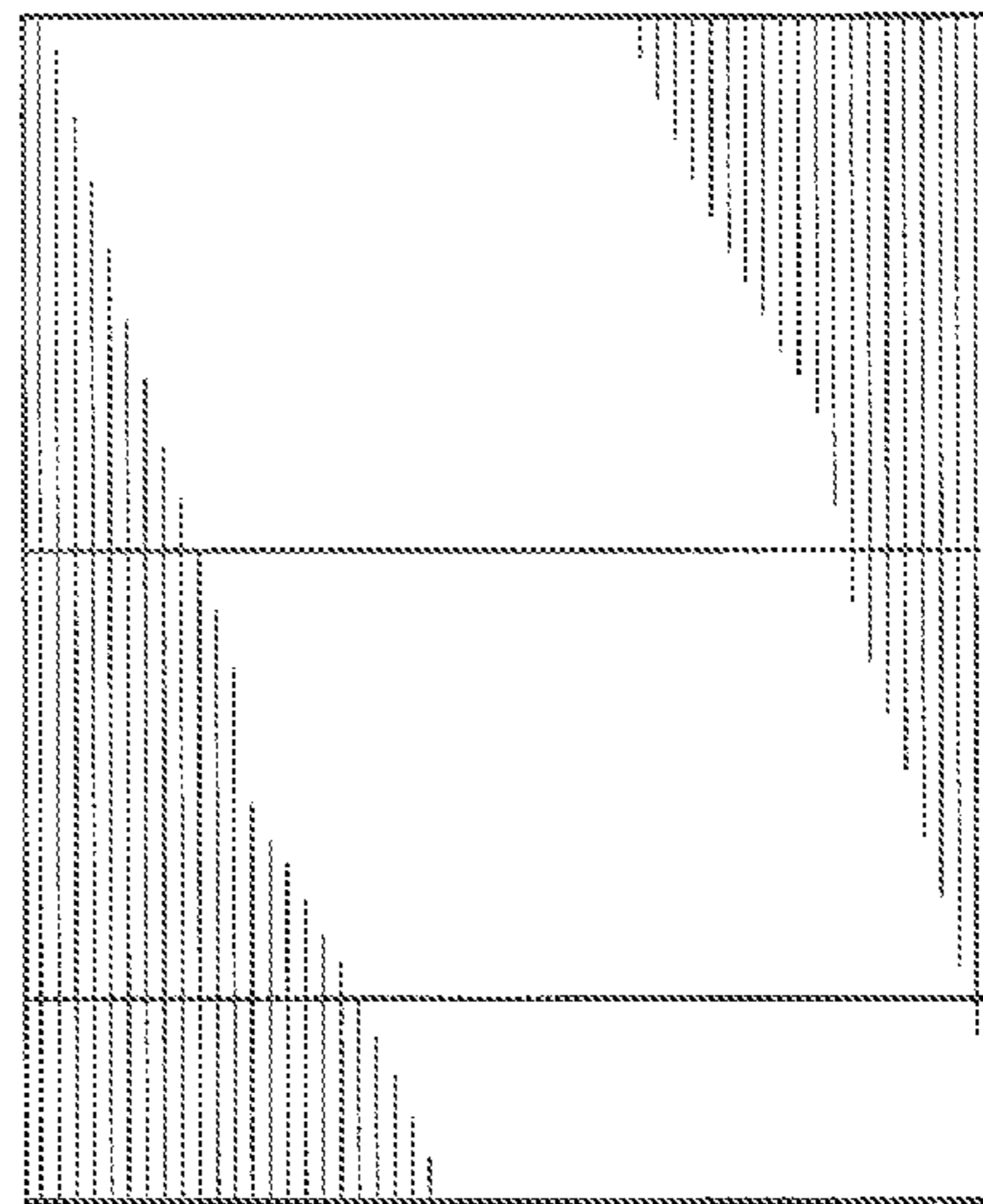


FIG. 11

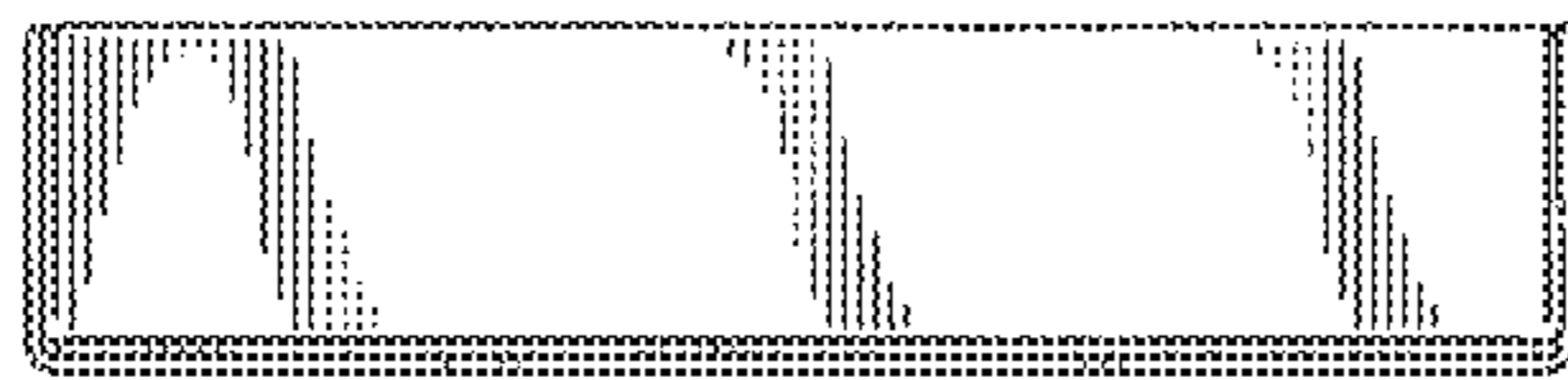


FIG. 12

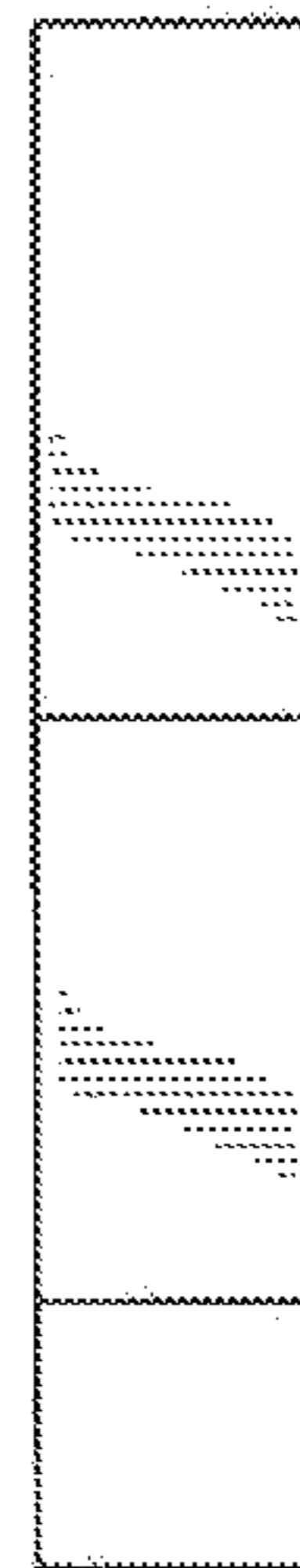


FIG. 13

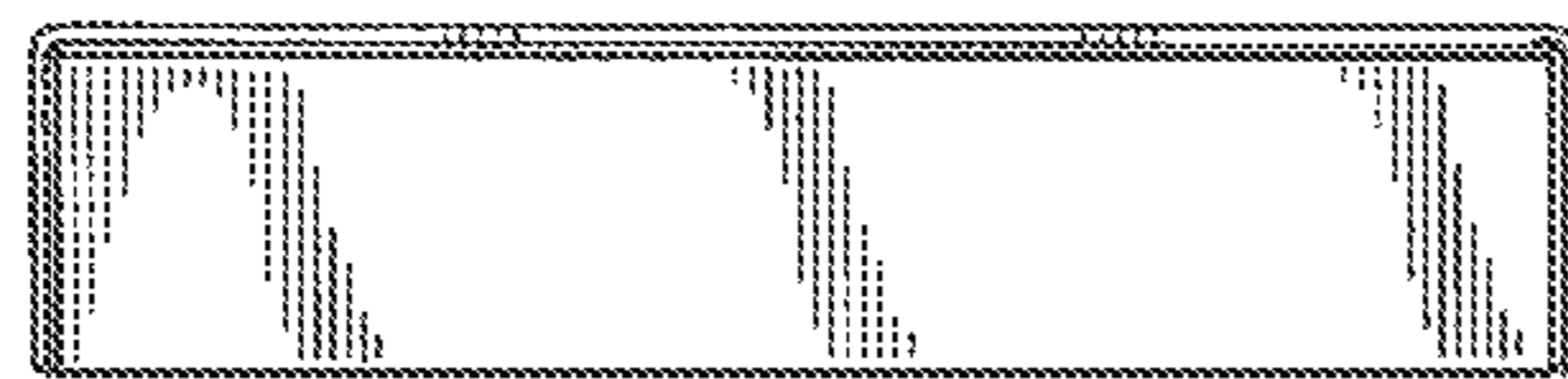


FIG. 14

