



US00D668945S

(12) **United States Design Patent**
Fernandez

(10) **Patent No.:** **US D668,945 S**
(45) **Date of Patent:** **** Oct. 16, 2012**

(54) **TRACK FOR A SHELVING SYSTEM**

(75) Inventor: **Julio A. Fernandez**, Dunnellon, FL (US)

(73) Assignee: **Clairson, Inc.**, Newark, DE (US)

(**) Term: **14 Years**

(21) Appl. No.: **29/389,301**

(22) Filed: **Apr. 8, 2011**

(51) **LOC (9) Cl.** **08-05**

(52) **U.S. Cl.** **D8/377**

(58) **Field of Classification Search** D8/377;
D25/119-121; 160/38-39, 239, 87, 45, 47
See application file for complete search history.

(56) **References Cited**

U.S. PATENT DOCUMENTS

D5,634 S	3/1872	Wunder	
1,006,328 A	10/1911	Widenhofer	
D47,726 S *	8/1915	Heulings, Jr.	D25/119
D47,730 S *	8/1915	Heulings, Jr.	D25/119
D78,426 S	4/1929	Whincap	
1,793,036 A	2/1931	Whitney	
1,997,432 A	4/1935	Replogle	
2,020,991 A	11/1935	Brody	
2,057,429 A	10/1936	Heim	
D108,811 S	3/1938	Snyder	
2,266,274 A	12/1941	Schroeder	
2,299,885 A	10/1942	Ellsworth et al.	
2,345,650 A	4/1944	Attwood	
2,441,721 A	5/1948	Schroeder	
D165,937 S *	2/1952	Rosenbaum	D8/377
2,651,489 A	9/1953	Bell	
2,683,890 A	7/1954	Rosenbaum	
2,683,891 A	7/1954	Rosenbaum	
2,767,951 A	10/1956	Cousino	
2,809,002 A	10/1957	Rudolph	
D189,163 S	11/1960	Growe	
D192,849 S *	5/1962	McEvoy et al.	D8/373
3,221,894 A	12/1965	Knuth	
3,263,951 A	8/1966	Stokes	
3,410,231 A	11/1968	Fletcher	
D215,697 S *	10/1969	Toder	D8/377
3,476,008 A	11/1969	Pearson et al.	

3,499,541 A	3/1970	Mackie	
3,563,182 A	2/1971	MacFarlane et al.	
3,565,381 A	2/1971	Oliver	
D221,251 S *	7/1971	Haskell et al.	D25/119
3,621,751 A	11/1971	Fiorentino	
3,640,389 A	2/1972	Snyder	
D227,742 S	7/1973	Logsdon	
3,756,115 A	9/1973	Schuplin	
3,760,744 A	9/1973	Cruckshank	
D228,852 S	10/1973	Vogelhuber et al.	
3,784,023 A	1/1974	Varon et al.	
3,978,799 A	9/1976	Escalette	

(Continued)

FOREIGN PATENT DOCUMENTS

EP 0338872 10/1989

(Continued)

Primary Examiner — Holly Baynham

(74) *Attorney, Agent, or Firm* — Harness, Dickey & Pierce, P.L.C.

(57) **CLAIM**

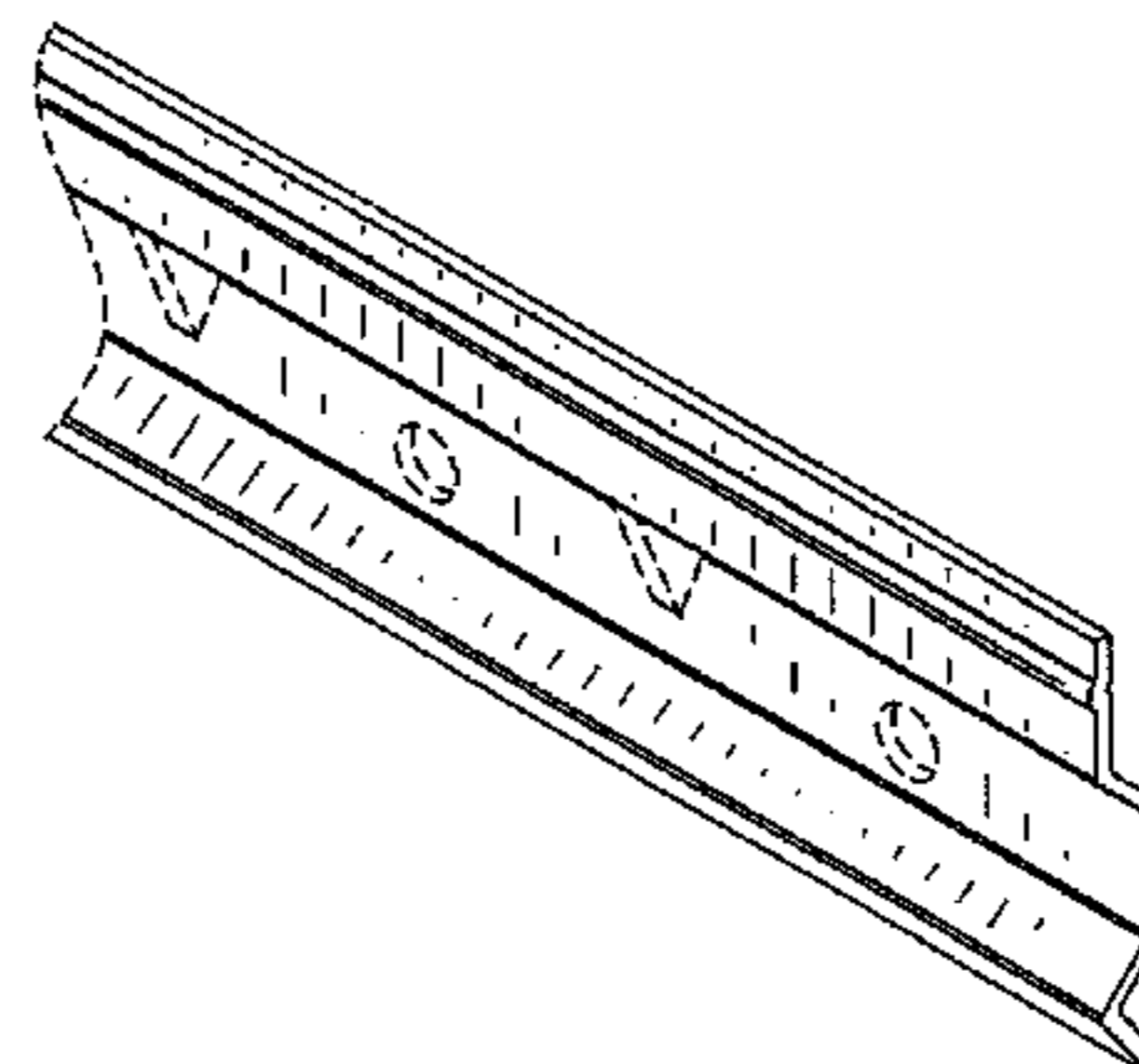
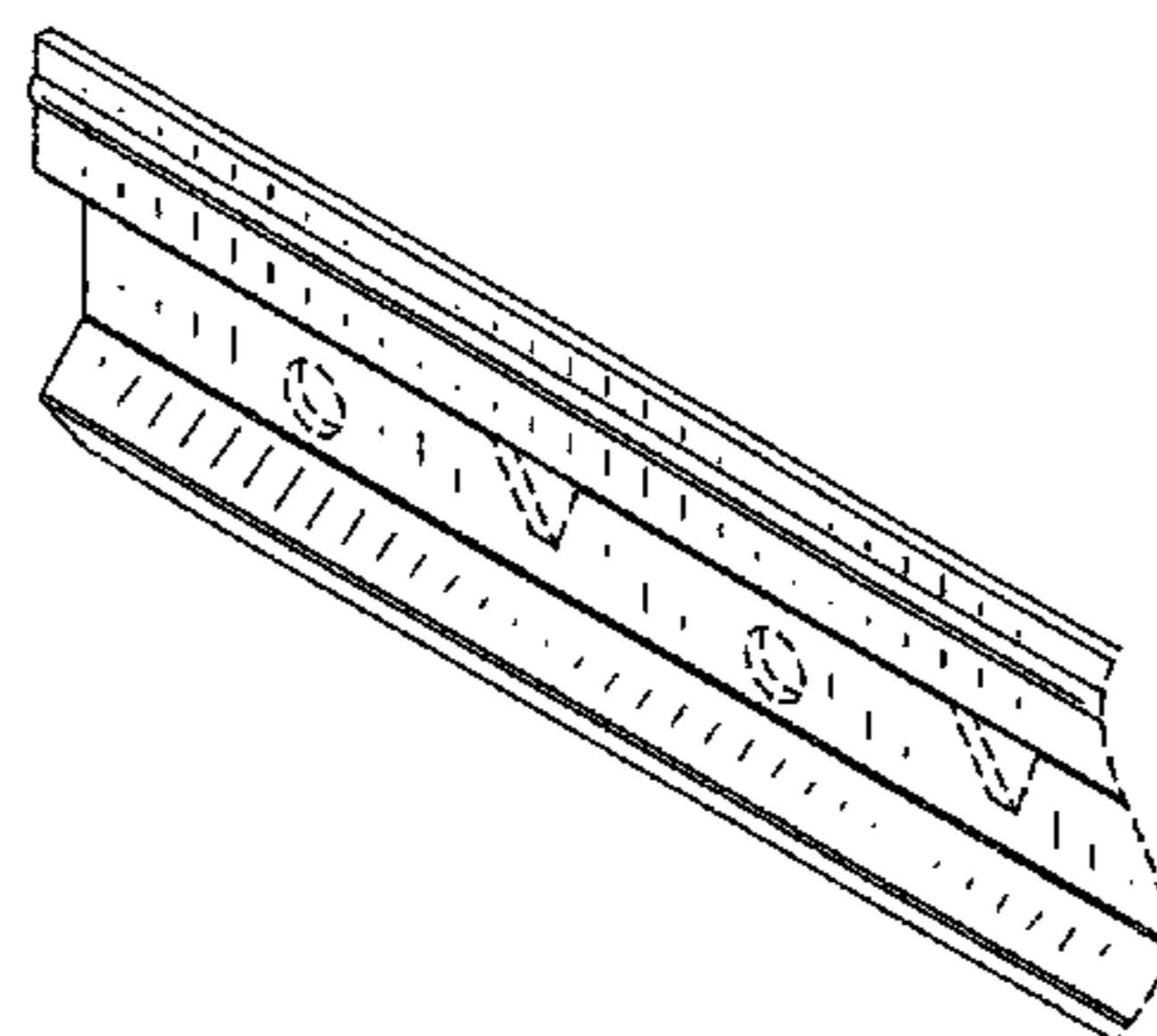
The ornamental design for a track for a shelving system, as shown and described.

DESCRIPTION

FIG. 1 is an upper perspective view of a track for a shelving system, showing my new design;
FIG. 2 is a lower perspective view thereof;
FIG. 3 is a front view thereof;
FIG. 4 is a back view thereof;
FIG. 5 is a left side view thereof;
FIG. 6 is a right side view thereof;
FIG. 7 is a top view thereof; and,
FIG. 8 is a bottom view thereof.

The broken lines showing openings are for the purpose of illustrating environment and form no part of the claimed design. The broken lines immediately adjacent the shading represent the bounds of the claim and form no part of the claimed design.

1 Claim, 4 Drawing Sheets



US D668,945 S

Page 2

U.S. PATENT DOCUMENTS					
3,993,002	A	11/1976 Stroh	5,645,182	A	7/1997 Miller, Jr. et al.
3,998,170	A	12/1976 Gordon	D392,553	S	3/1998 Dill
D244,668	S	6/1977 Tegner	5,738,477	A	4/1998 McCorkle et al.
4,098,480	A	7/1978 Neumann	D394,203	S	5/1998 Nadar
4,125,050	A	11/1978 Schwartzman et al.	5,752,610	A	5/1998 Remmers
4,155,312	A	5/1979 Thorkildson	5,755,414	A	5/1998 Remmers
D252,668	S *	8/1979 Rudinski D8/377	D394,999	S	6/1998 Phillip
4,209,111	A	6/1980 Lotspeich et al.	5,758,851	A	6/1998 Remmers
D256,843	S *	9/1980 Madsen D25/119	5,769,247	A	6/1998 Merl
D258,489	S	3/1981 Gipson	5,788,093	A	8/1998 Krut
D259,143	S *	5/1981 Aktinson D25/119	5,833,193	A	11/1998 Derda et al.
4,523,722	A	6/1985 Cohen et al.	D402,536	S	12/1998 Cousins
D279,959	S	8/1985 Nimmo et al.	D403,234	S	12/1998 Nagato
4,533,056	A	8/1985 Krikorian	D406,476	S	3/1999 Boije
4,548,327	A	10/1985 Kilkelly	D408,175	S	4/1999 Daniels et al.
4,603,781	A	8/1986 Ryan, Jr.	D409,866	S	5/1999 West
D286,495	S	11/1986 Blomdahl	D411,738	S	6/1999 Raasch et al.
D288,528	S	3/1987 Parad	5,909,936	A	6/1999 Daniels et al.
4,646,998	A	3/1987 Pate	5,921,411	A	7/1999 Merl
4,671,419	A	6/1987 Beverly	5,921,412	A	7/1999 Merl
D291,646	S	9/1987 Koziol	5,934,631	A	8/1999 Becker et al.
4,693,380	A	9/1987 Muth	5,950,974	A	9/1999 Hoffmann
4,708,552	A	11/1987 Bustos et al.	6,053,465	A	4/2000 Kluge
D293,416	S	12/1987 Krueger	D423,917	S	5/2000 Remmers et al.
4,720,016	A	1/1988 Kay	D427,466	S	7/2000 Remmers
4,728,238	A	3/1988 Chisholm et al.	D437,515	S	2/2001 Remmers et al.
4,732,284	A	3/1988 Remmers	6,189,527	B1	2/2001 Walsh et al.
D295,182	S	4/1988 Remmers	D443,456	S	6/2001 Horsten
4,735,325	A	4/1988 Remmers	6,279,467	B1	8/2001 Tiemann
D295,472	S	5/1988 Remmers	6,402,108	B1	6/2002 Remmers
4,749,159	A	6/1988 Hoff	6,443,318	B1	9/2002 Welsch
4,781,349	A	11/1988 Remmers	6,457,594	B1	10/2002 Tiemann
4,783,035	A	11/1988 Remmers	6,467,860	B2	10/2002 Remmers
D298,801	S	12/1988 Satoh	6,494,653	B2	12/2002 Remmers
D299,212	S	1/1989 Murphy	D470,398	S	2/2003 Remmers
D299,436	S	1/1989 Muth	D477,144	S	7/2003 Remmers
4,795,041	A	1/1989 Remmers	6,626,509	B2	9/2003 Remmers
4,804,159	A	2/1989 Martel	D482,601	S	11/2003 Chen
4,830,531	A	5/1989 Condit et al.	6,659,295	B1	12/2003 De Land et al.
4,838,451	A	6/1989 Arkell et al.	6,669,154	B1	12/2003 Remmers
D305,272	S	12/1989 Remmers	D484,779	S	1/2004 Shibuya
4,890,839	A	1/1990 Ayotte	D485,109	S	1/2004 Oberhaus
D311,860	S	11/1990 Remmers	6,688,568	B1	2/2004 Moufflet
D312,389	S	11/1990 Remmers	D490,690	S	6/2004 Brass et al.
4,984,694	A	1/1991 Magnusson	D497,738	S	11/2004 Sparkowski
5,074,223	A	12/1991 Remmers	6,840,593	B2	1/2005 Remmers
D323,452	S	1/1992 Stumpf et al.	D506,385	S	6/2005 Brown
D323,715	S	2/1992 Bodurow et al.	6,915,913	B2	7/2005 Cardinell
5,086,936	A	2/1992 Remmers	6,918,499	B2	7/2005 De Land et al.
5,110,080	A	5/1992 Rieman	6,932,225	B2	8/2005 Rowe
D326,605	S	6/1992 Nakanura	6,953,176	B2	10/2005 Remmers
5,119,945	A	6/1992 Wiggins	6,969,036	B2	11/2005 Magnusson
5,133,463	A	7/1992 Merl	D513,970	S	1/2006 Sterling et al.
5,135,194	A	8/1992 Laughon et al.	7,004,335	B2	2/2006 Remmers
D334,497	S	4/1993 Putty	7,021,730	B2	4/2006 Remmers
D336,605	S	6/1993 Lemmerman et al.	D522,848	S	6/2006 Nawrocki
D340,639	S	10/1993 Remmers	D522,852	S	6/2006 Nawrocki
D342,015	S	12/1993 Andrejew	D523,327	S	6/2006 Clarke
D345,428	S *	3/1994 Bancroft D25/119	7,063,491	B2	6/2006 French
5,305,898	A	4/1994 Merl	D525,115	S	7/2006 Harwanko
D348,826	S	7/1994 McCaffrey	D525,811	S	8/2006 Nawrocki
5,326,062	A	7/1994 Remmers	D526,519	S	8/2006 Nawrocki
5,330,063	A	7/1994 Remmers	D526,887	S	8/2006 Remmers et al.
5,351,842	A	10/1994 Remmers	7,086,543	B2	8/2006 Remmers
D353,500	S	12/1994 Remmers	7,086,544	B1	8/2006 Doench
5,386,959	A	2/1995 Laughlin et al.	7,090,317	B2	8/2006 Remmers
5,407,084	A	4/1995 Remmers	D527,559	S	9/2006 Remmers
5,472,103	A	12/1995 Merl	D527,935	S	9/2006 Remmers
5,485,932	A	1/1996 Romm et al.	7,104,411	B2	9/2006 Magnusson et al.
5,492,295	A	2/1996 Remmers	D531,019	S	10/2006 Plumer
D369,293	S	4/1996 Gusdorf et al.	7,121,417	B2	10/2006 Magnusson et al.
5,509,541	A	4/1996 Merl	D531,891	S	11/2006 Nawrocki
5,531,416	A	7/1996 Remmers	7,174,605	B1	2/2007 Nawrocki
5,533,851	A	7/1996 Remmers	7,178,769	B2	2/2007 Magnusson et al.
D373,719	S	9/1996 Lin	7,185,772	B2	3/2007 Remmers
5,580,018	A	12/1996 Remmers	7,188,740	B2	3/2007 Marchetta et al.
5,584,405	A	12/1996 Tunzi	D543,094	S *	5/2007 Remmers D8/377
5,638,644	A	6/1997 Bastian	D544,260	S	6/2007 Nawrocki
			D544,261	S	6/2007 Nawrocki

US D668,945 S

7,225,935 B2	6/2007	Breymaier et al.	2005/0011420 A1	1/2005	Costa et al.
D547,163 S	7/2007	Xayoiphonh	2005/0109720 A1	5/2005	Marchetta
D547,164 S	7/2007	Xayoiphonh	2005/0109901 A1	5/2005	Stitchick et al.
D547,640 S	7/2007	Remmers	2005/0145147 A1	7/2005	Costa et al.
7,240,803 B2	7/2007	Stitchick et al.	2005/0145588 A1	7/2005	Stitchick et al.
7,255,237 B2	8/2007	Stitchick et al.	2005/0148942 A1	7/2005	Newby et al.
D550,072 S	9/2007	Ardern	2005/0150436 A1	7/2005	Marchetta et al.
D550,540 S	9/2007	Nawrocki	2005/0150850 A1	7/2005	Stitchick et al.
D551,062 S	9/2007	Nawrocki	2005/0247651 A1	11/2005	Craft
D551,884 S	10/2007	Remmers	2005/0284828 A1	12/2005	Remmers
D553,485 S	10/2007	Hall	2006/0011568 A1	1/2006	Remmers et al.
7,296,697 B2	11/2007	Costa et al.	2006/0011570 A1	1/2006	Chen
D559,090 S	1/2008	Nawrocki	2006/0102817 A1	5/2006	Swartz et al.
7,314,144 B2	1/2008	Stitchick et al.	2006/0113443 A1	6/2006	Remmers
D562,670 S	2/2008	Rogers et al.	2006/0130983 A1	6/2006	Nien
D567,074 S	4/2008	Gallien	2006/0175495 A1	8/2006	Gregory
D569,715 S	5/2008	Fernandez	2007/0023374 A1	2/2007	Nawrocki
7,387,212 B2	6/2008	Costa et al.	2007/0068887 A1	3/2007	Nawrocki
7,392,911 B2	7/2008	Stitchick et al.	2007/0101545 A1	5/2007	Nawrocki
7,401,705 B2	7/2008	Craft	2007/0102604 A1	5/2007	Nawrocki
7,407,060 B2	8/2008	Swartz et al.	2007/0108146 A1	5/2007	Nawrocki
D578,869 S	10/2008	Fernandez	2007/0108148 A1	5/2007	Stitchick et al.
D580,258 S	11/2008	Fernandez	2007/0114197 A1	5/2007	Remmers
D581,260 S	11/2008	Fernandez	2007/0114348 A1	5/2007	Nawrocki
D581,776 S	12/2008	Yin-Feng	2007/0119805 A1	5/2007	Nawrocki
7,458,548 B2	12/2008	Franzone et al.	2007/0134072 A1	6/2007	Su
D585,267 S *	1/2009	Di Vinadio D8/377	2007/0137417 A1	6/2007	Nawrocki et al.
D585,730 S	2/2009	Fernandez	2007/0159040 A1	7/2007	Fernandez et al.
D587,562 S	3/2009	Fernandez	2007/0187561 A1	8/2007	Xayoiphonh
7,506,772 B2	3/2009	Chen	2007/0205172 A1	9/2007	Stitchick et al.
D589,780 S	4/2009	Fernandez	2007/0241072 A1	10/2007	Bryant et al.
7,516,930 B2	4/2009	Chen	2007/0257169 A1	11/2007	Taggett
D596,931 S	7/2009	Fernandez	2008/0047098 A1	2/2008	Nawrocki
D602,770 S	10/2009	Fernandez	2009/0139943 A1	6/2009	Fernandez
D621,244 S	8/2010	Kundinger et al.			
7,832,573 B2	11/2010	Magnusson et al.			
7,900,783 B2	3/2011	Fernandez et al.			
2002/0090278 A1	7/2002	Lai	FR	2717994	10/1995
2002/0153335 A1	10/2002	Robideau	GB	2153205	8/1985
2002/0166934 A1	11/2002	Marsh	GB	2180141	3/1987
2003/0231941 A1	12/2003	Kenny	GB	2229625	10/1990
2003/0233965 A1	12/2003	Brazier	JP	10002663	1/1998
2003/0234231 A1	12/2003	Rowe	WO	WO 02/26082	4/2002
2004/0007550 A1	1/2004	Leeman et al.	WO	WO 2004/056236	7/2004
2004/0045919 A1	3/2004	Remmers			
2004/0108288 A1	6/2004	Breymaier et al.			

FOREIGN PATENT DOCUMENTS

FR	2717994	10/1995
GB	2153205	8/1985
GB	2180141	3/1987
GB	2229625	10/1990
JP	10002663	1/1998
WO	WO 02/26082	4/2002
WO	WO 2004/056236	7/2004

* cited by examiner

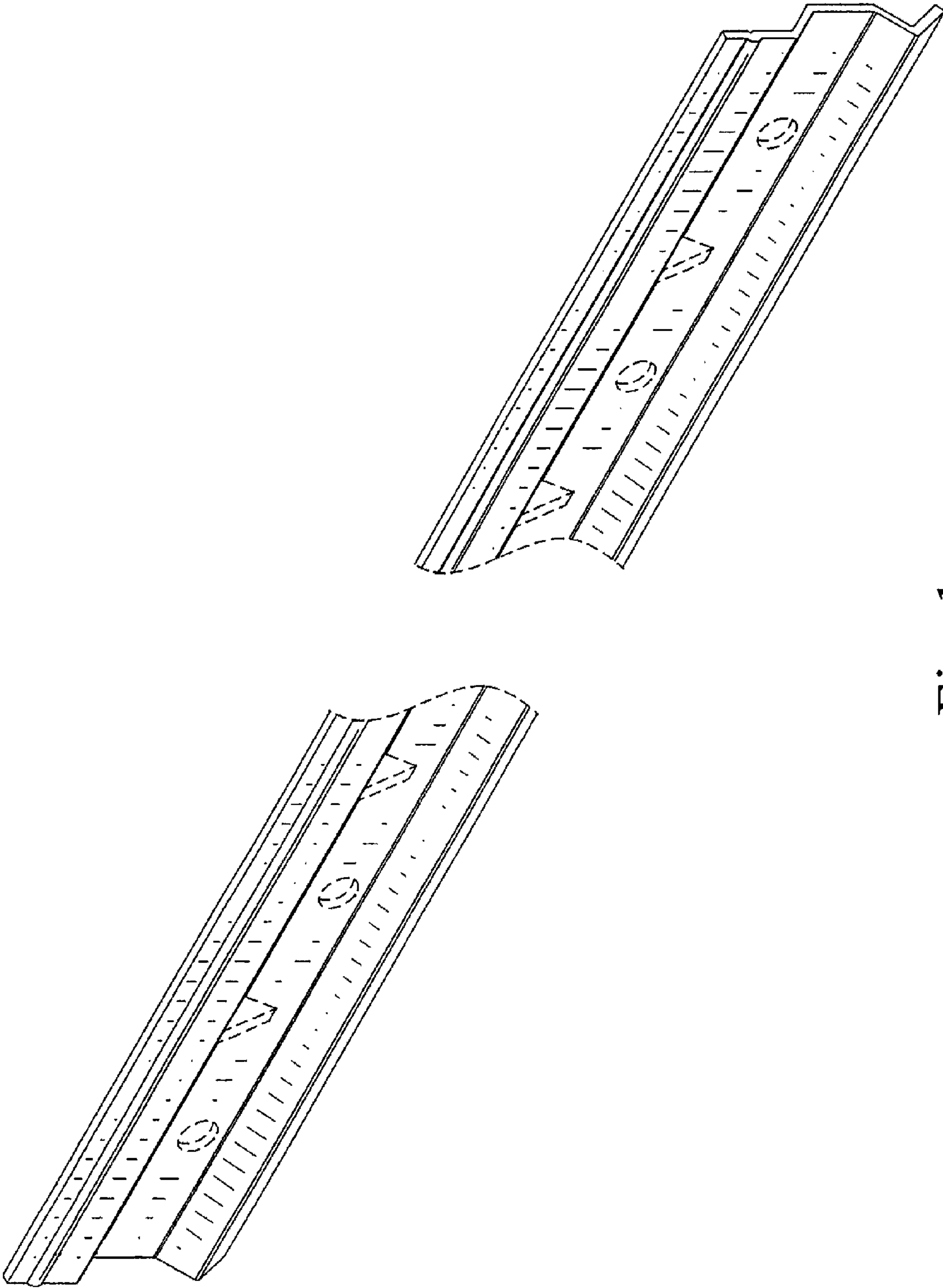


Fig. 1

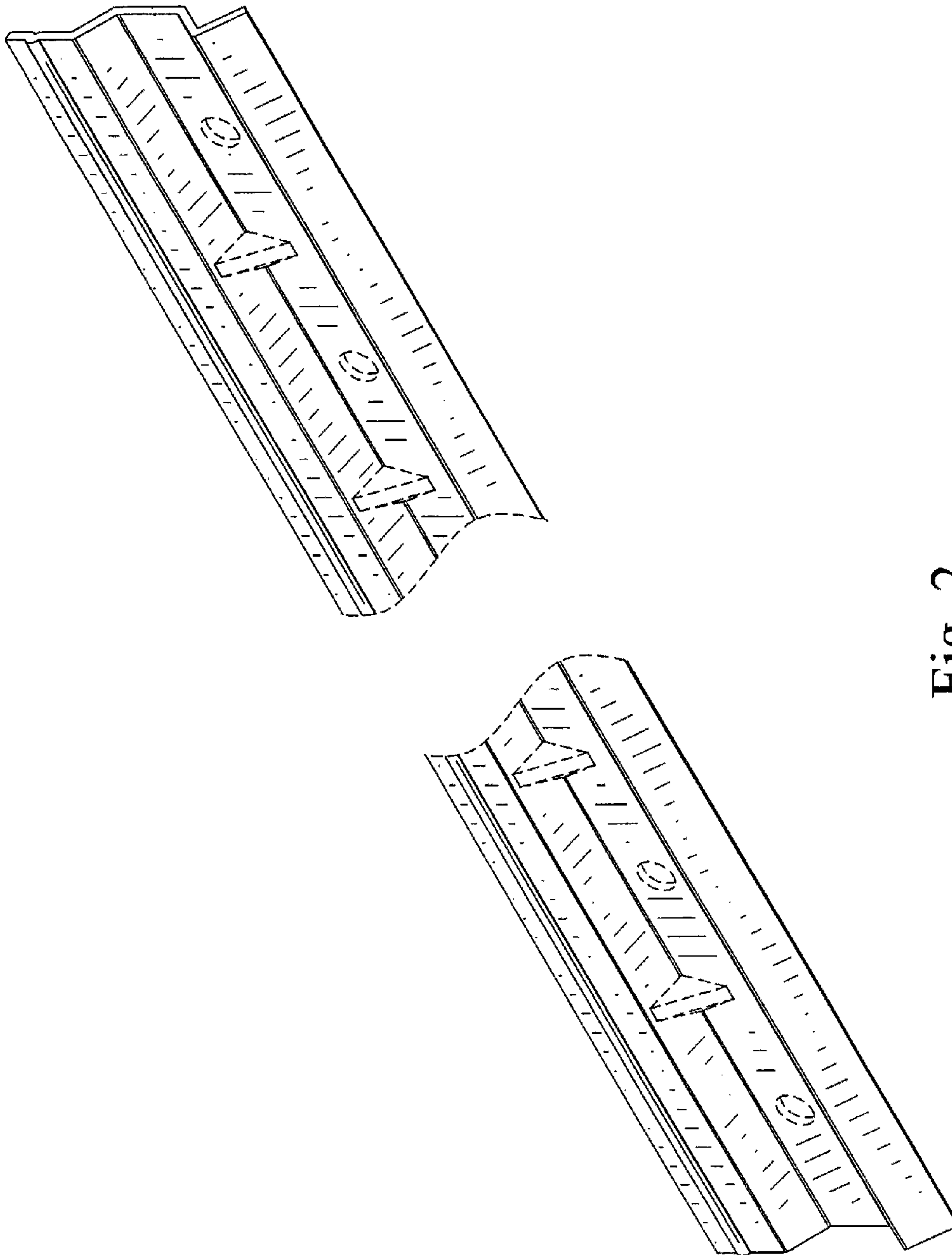


Fig. 2

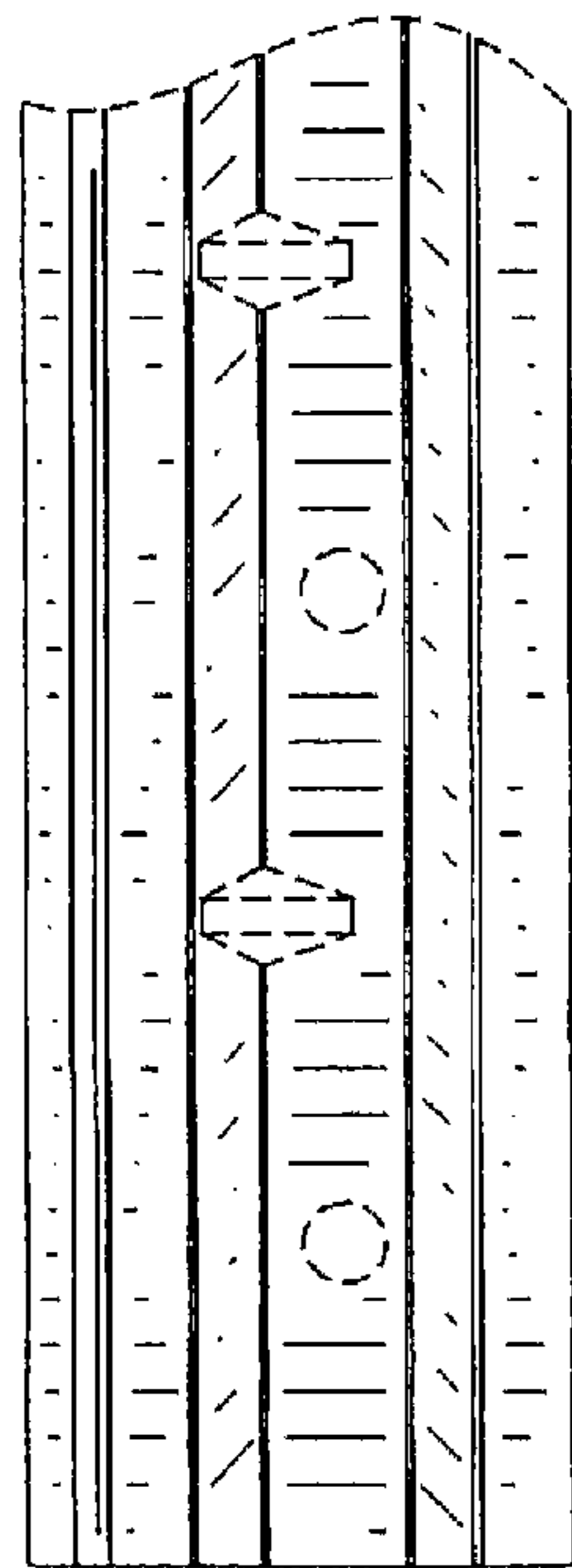
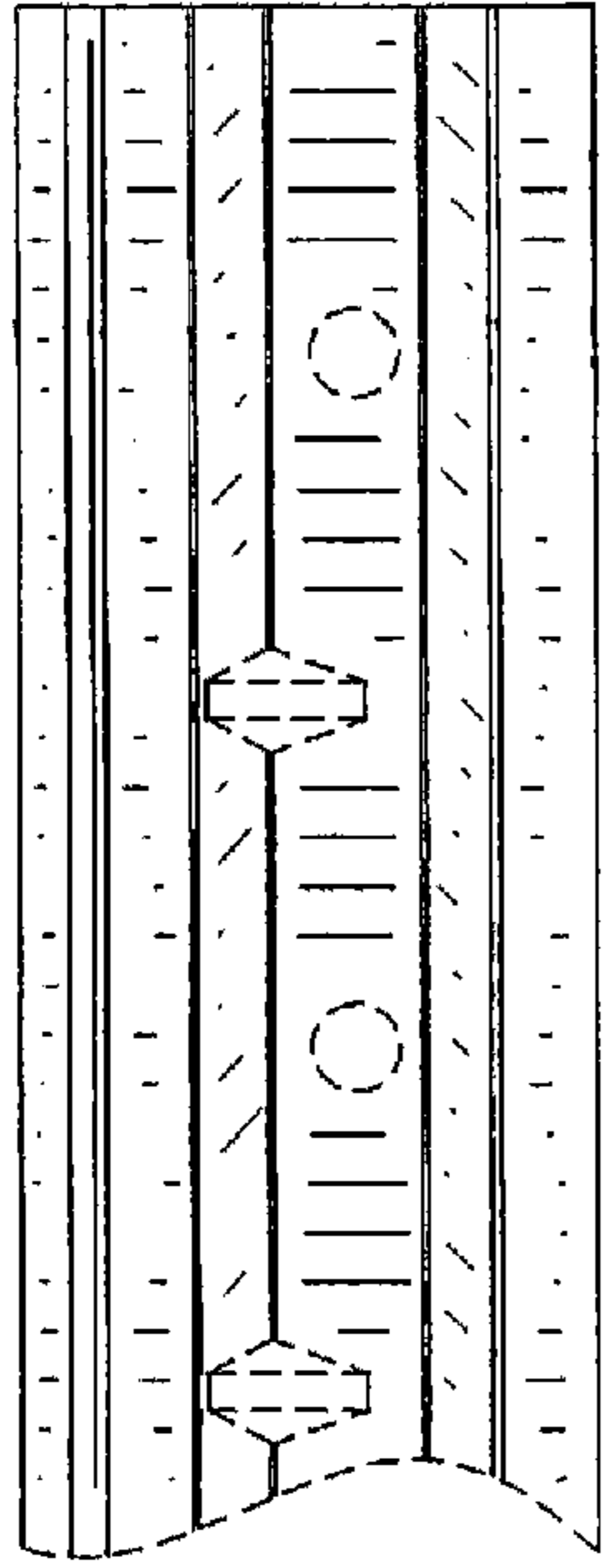


Fig. 3

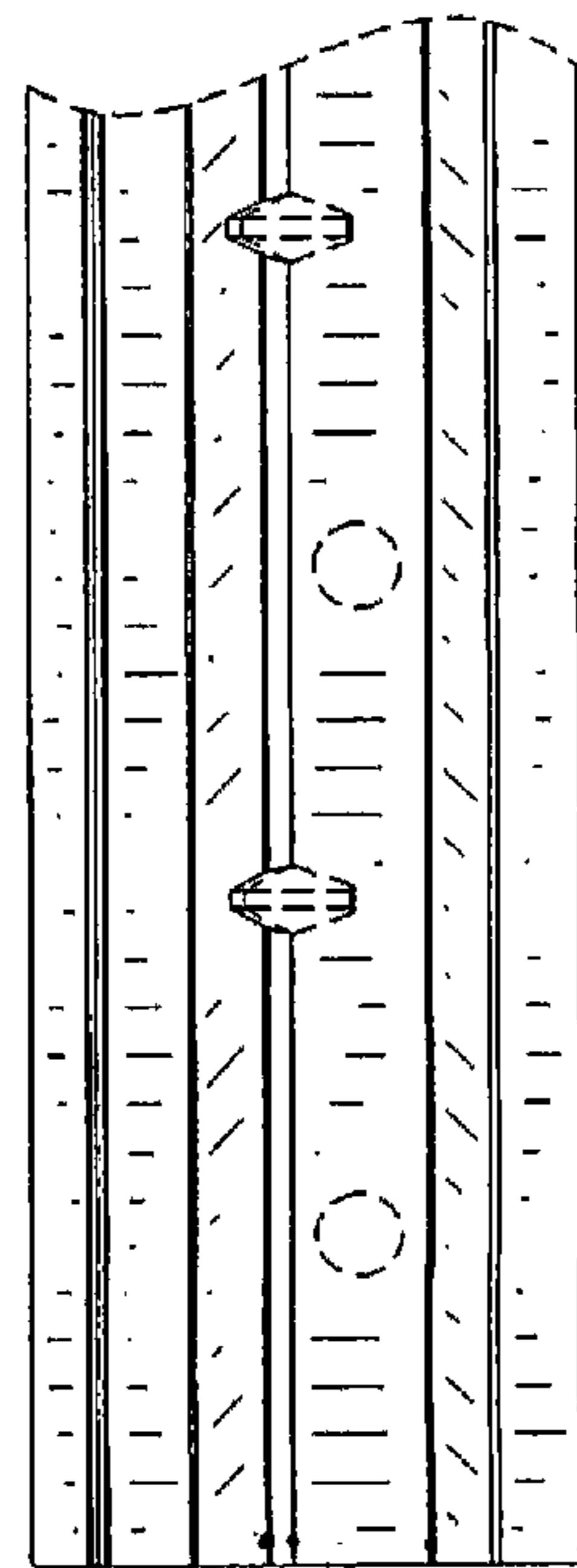
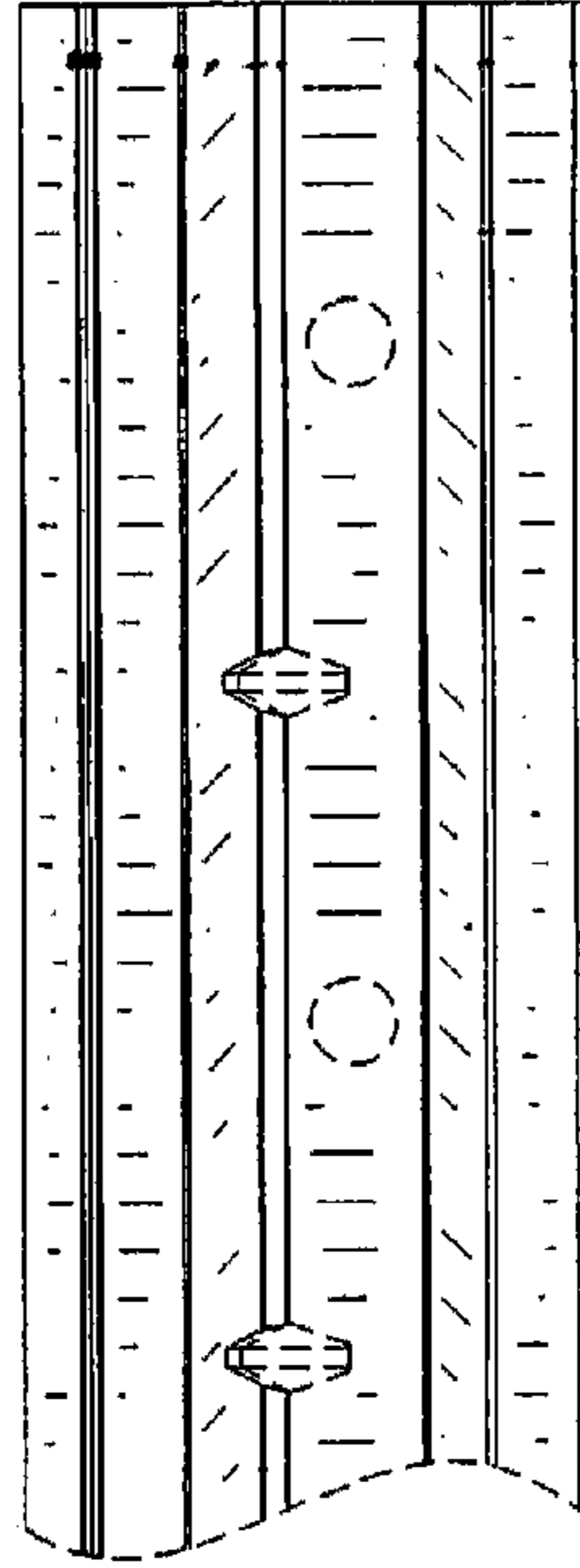


Fig. 4



Fig. 6

Fig. 5



Fig. 7



Fig. 8