



US00D668944S

(12) **United States Design Patent**
Tsai

(10) **Patent No.:** **US D668,944 S**

(45) **Date of Patent:** **** Oct. 16, 2012**

(54) **CHAIR CASTOR**

(76) Inventor: **Po-Chuan Tsai**, Tainan (TW)

(**) Term: **14 Years**

(21) Appl. No.: **29/393,125**

(22) Filed: **May 31, 2011**

(51) **LOC (9) Cl.** **08-05**

(52) **U.S. Cl.** **D8/375**

(58) **Field of Classification Search** D8/375,
D8/382, 354; 16/18 R, 29, 31 R, 35 D, 35 R,
16/37, 45, 46, 47; 188/1, 12, 69; D34/27;
D3/318; D12/206, 207, 208

See application file for complete search history.

(56) **References Cited**

U.S. PATENT DOCUMENTS

D600,104 S *	9/2009	Weber et al.	D8/375
7,950,108 B2 *	5/2011	Yang et al.	16/47
D653,526 S *	2/2012	Melara	D8/375

* cited by examiner

Primary Examiner — Susan Bennett Hattan

Assistant Examiner — Barbara B Lohr

(74) *Attorney, Agent, or Firm* — Alan Kamrath; Kamrath IP Lawfirm, PA

(57) **CLAIM**

The ornamental design for a chair castor, as shown and described.

DESCRIPTION

FIG. 1 is a perspective view of a chair castor showing my design;

FIG. 2 is a front elevational view thereof;

FIG. 3 is a rear elevational view thereof;

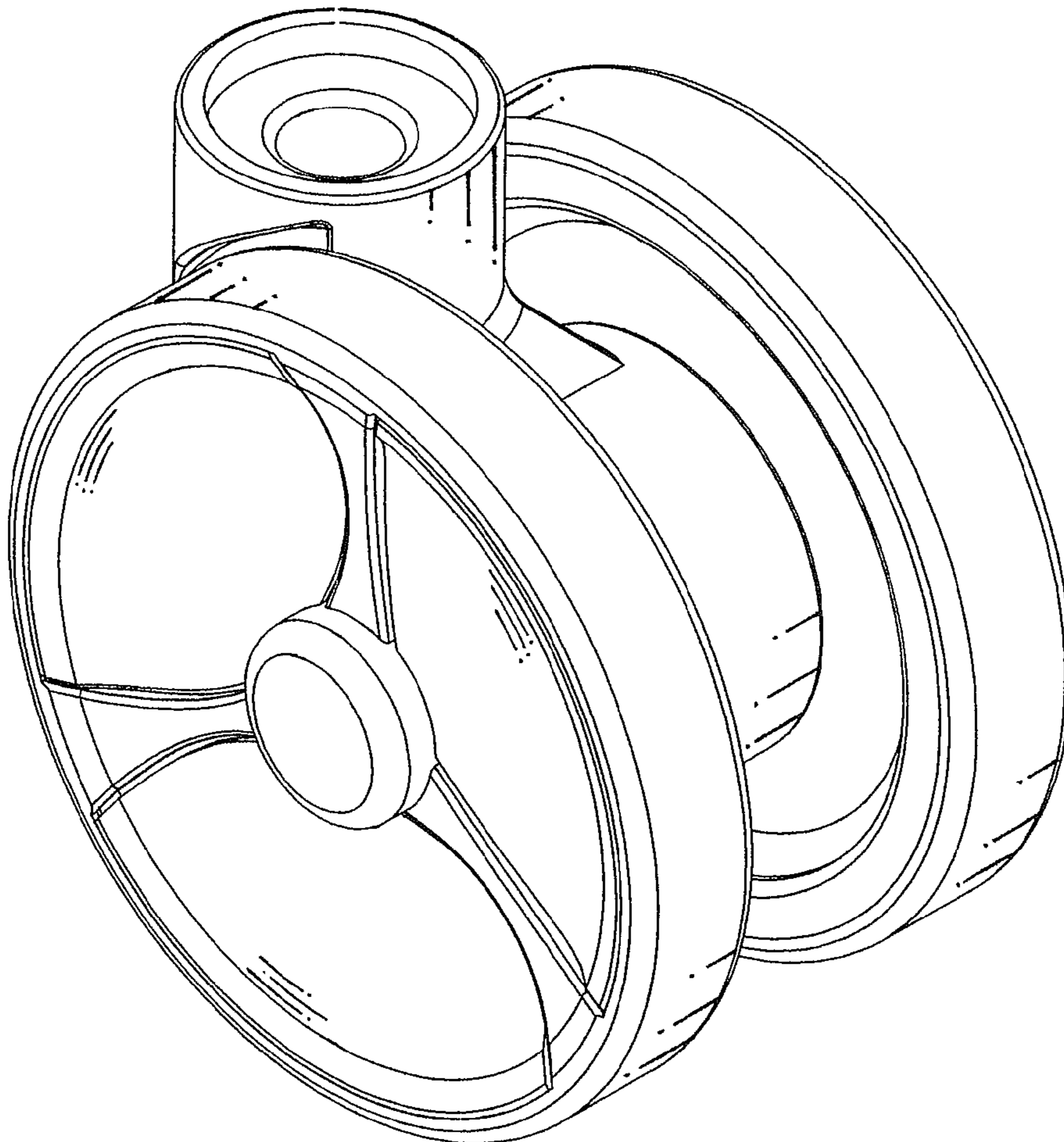
FIG. 4 is a left side elevational view thereof;

FIG. 5 is a right side elevational view thereof;

FIG. 6 is a top plan view thereof; and,

FIG. 7 is a bottom plan view thereof.

1 Claim, 4 Drawing Sheets



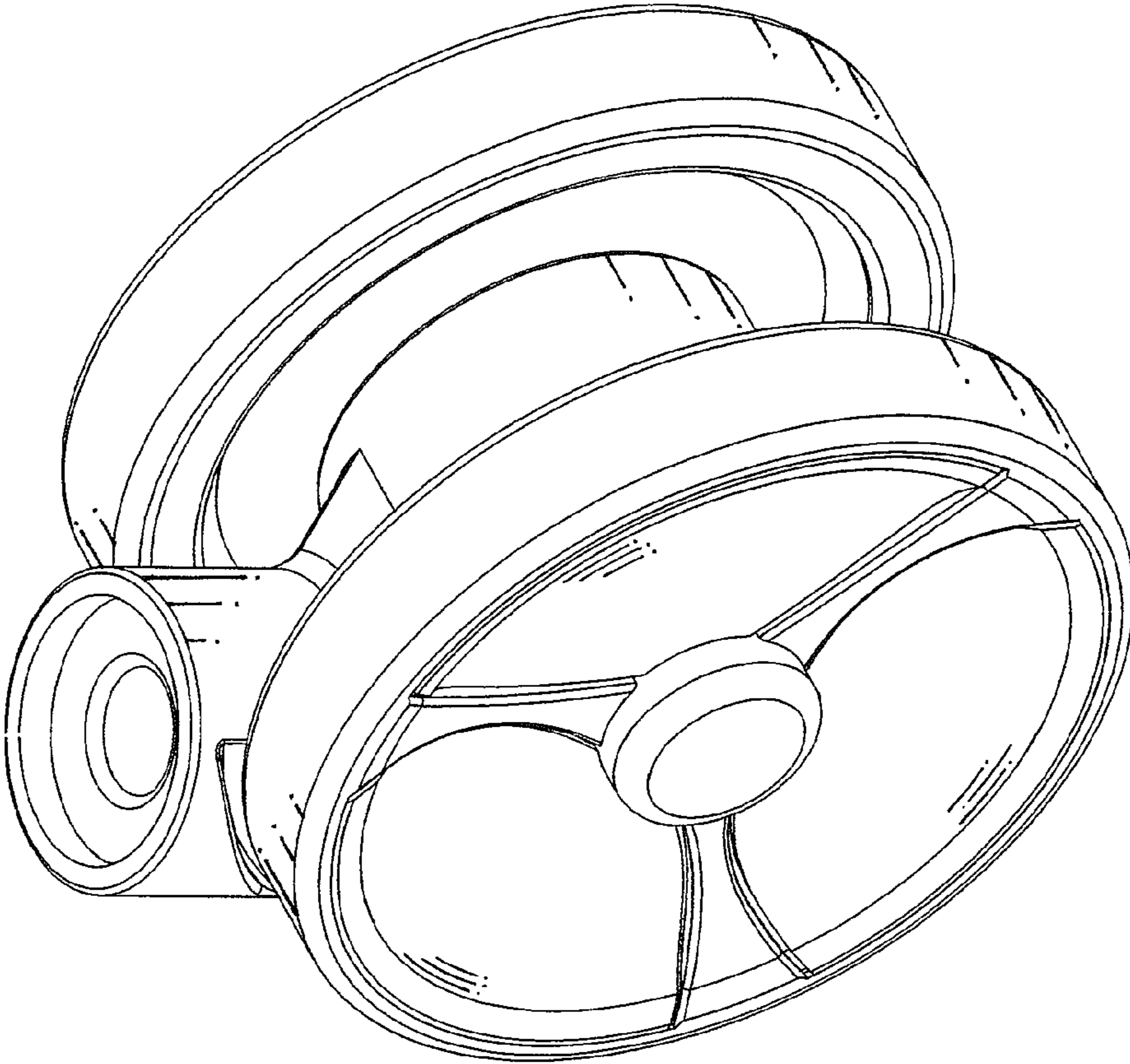


FIG.1

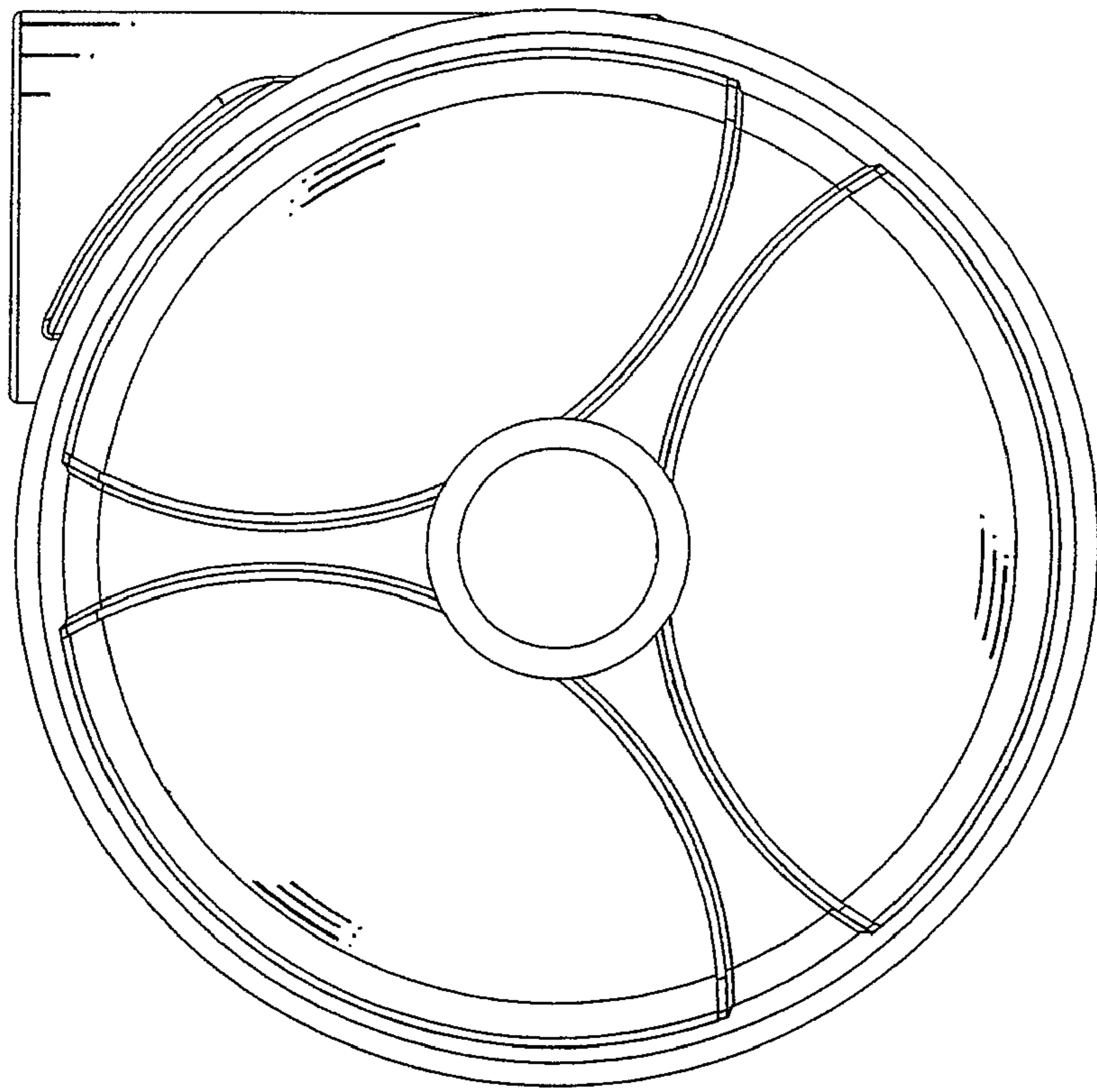


FIG. 2

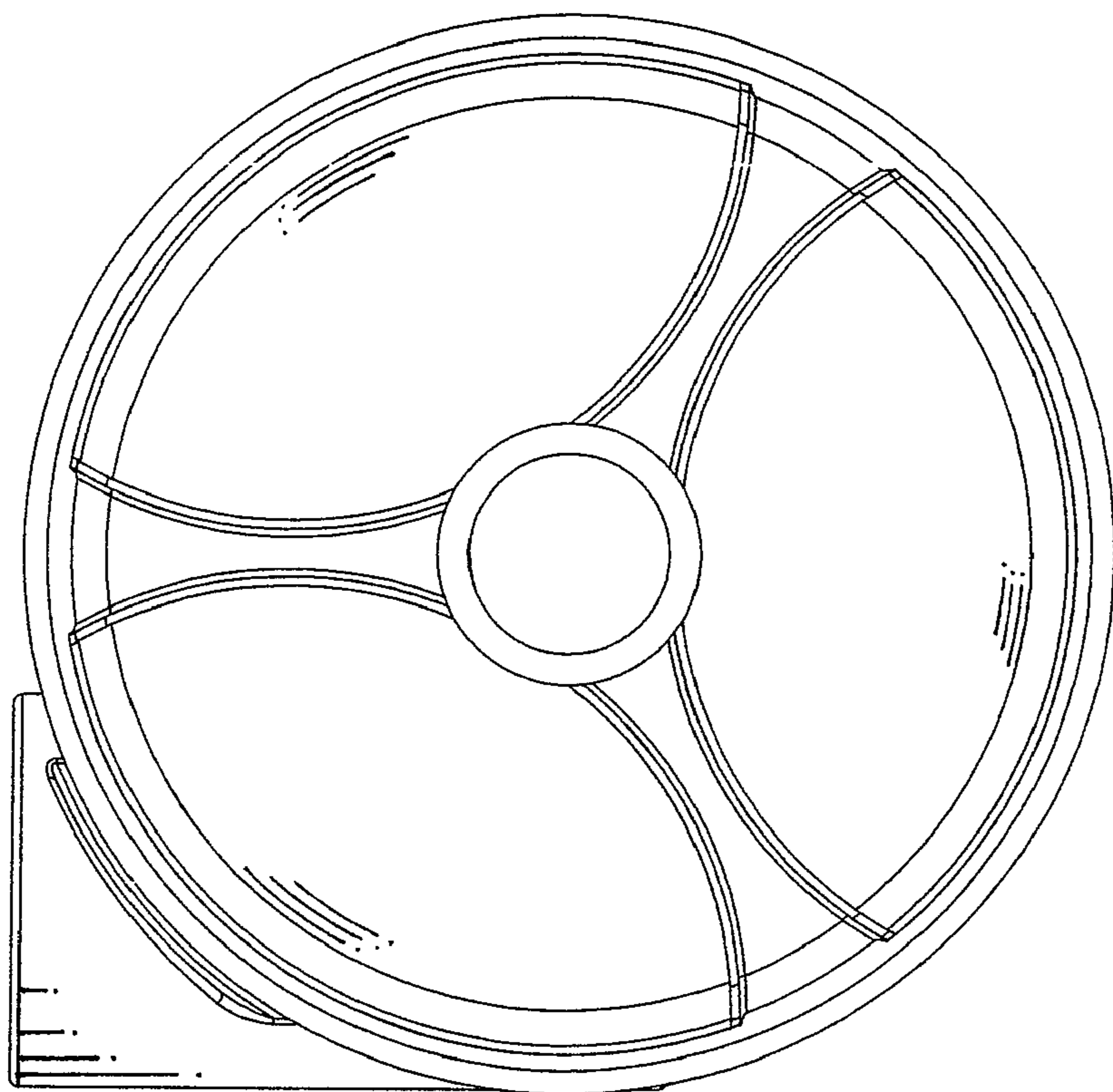


FIG. 3

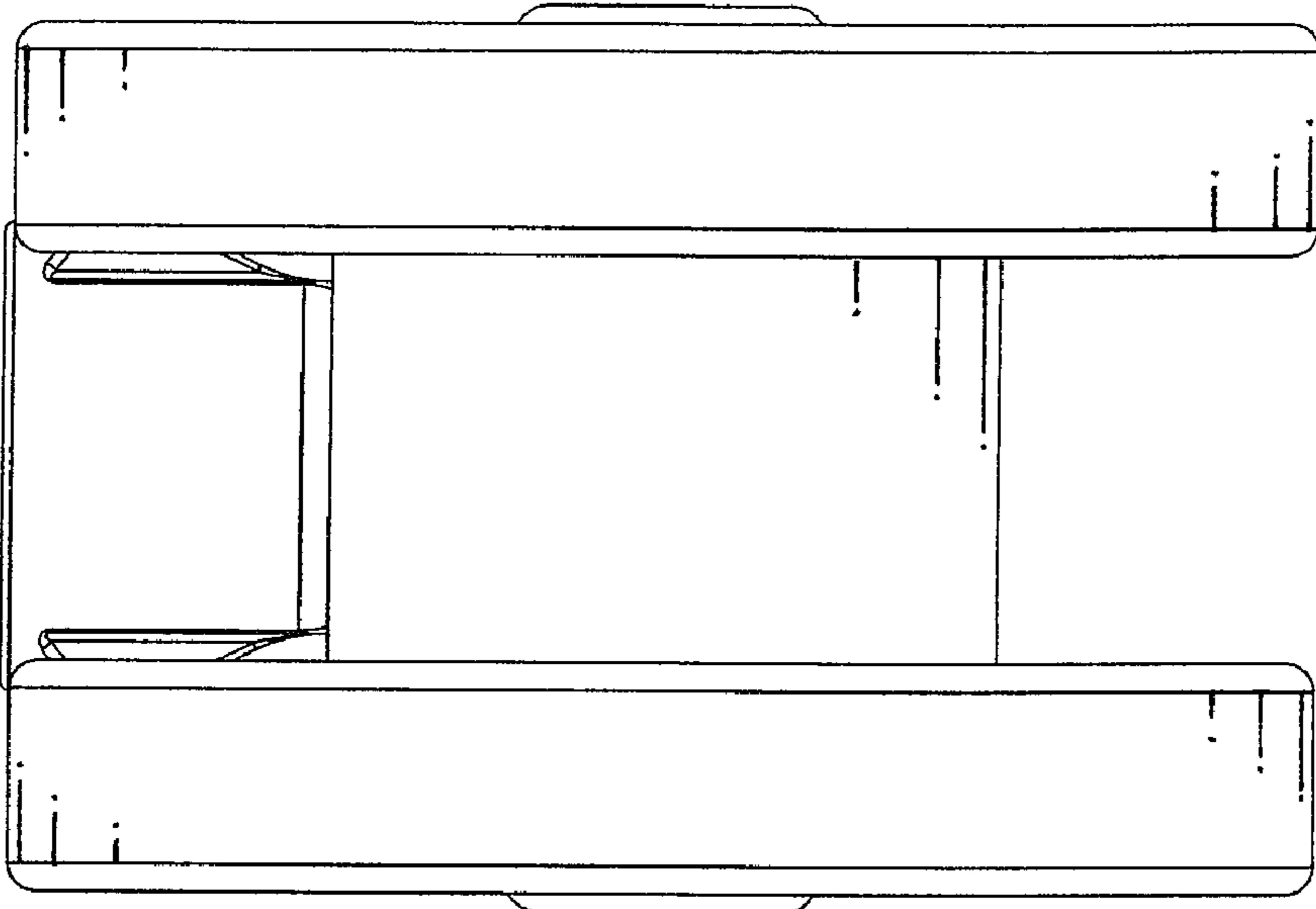


FIG.5

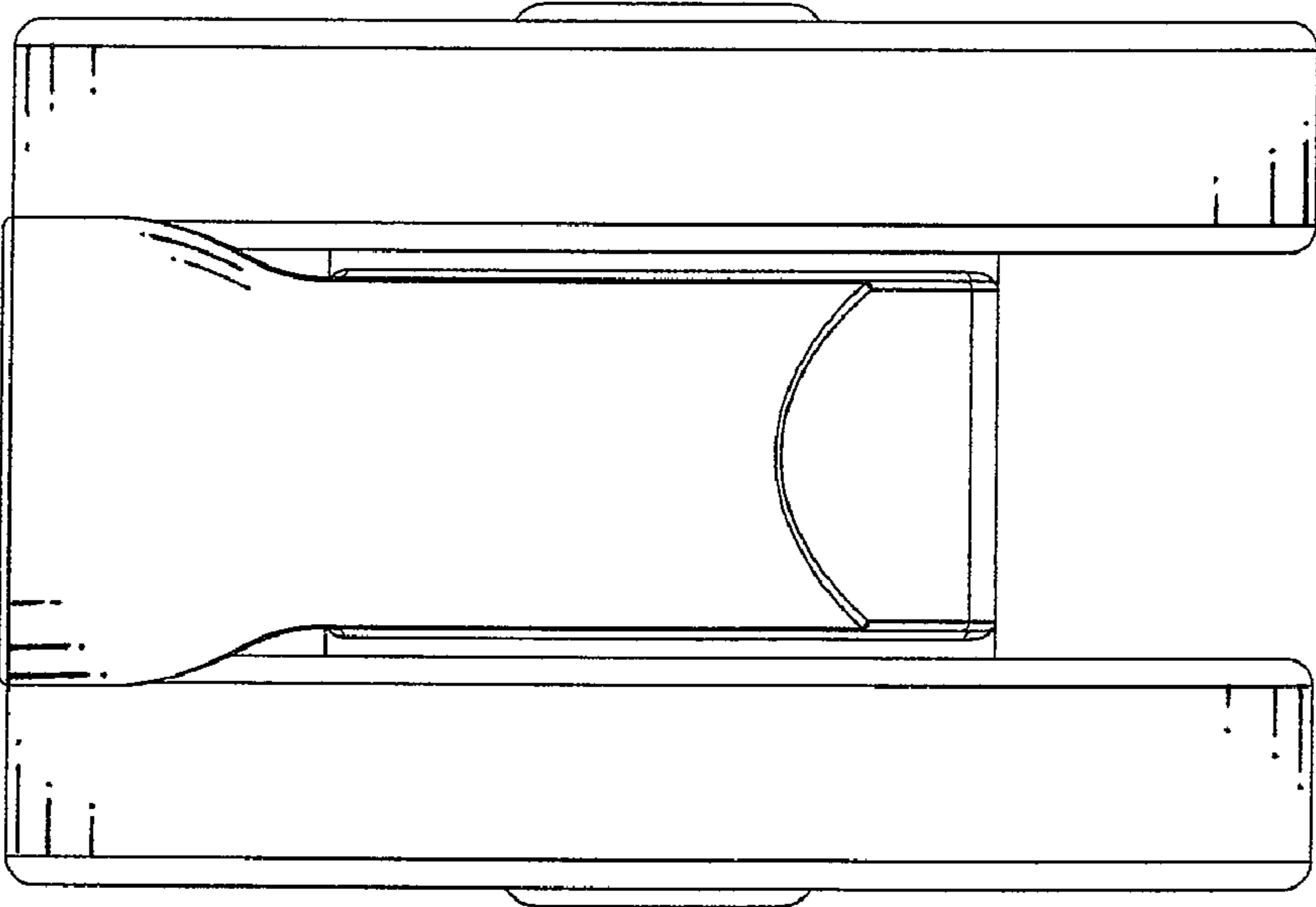


FIG.4

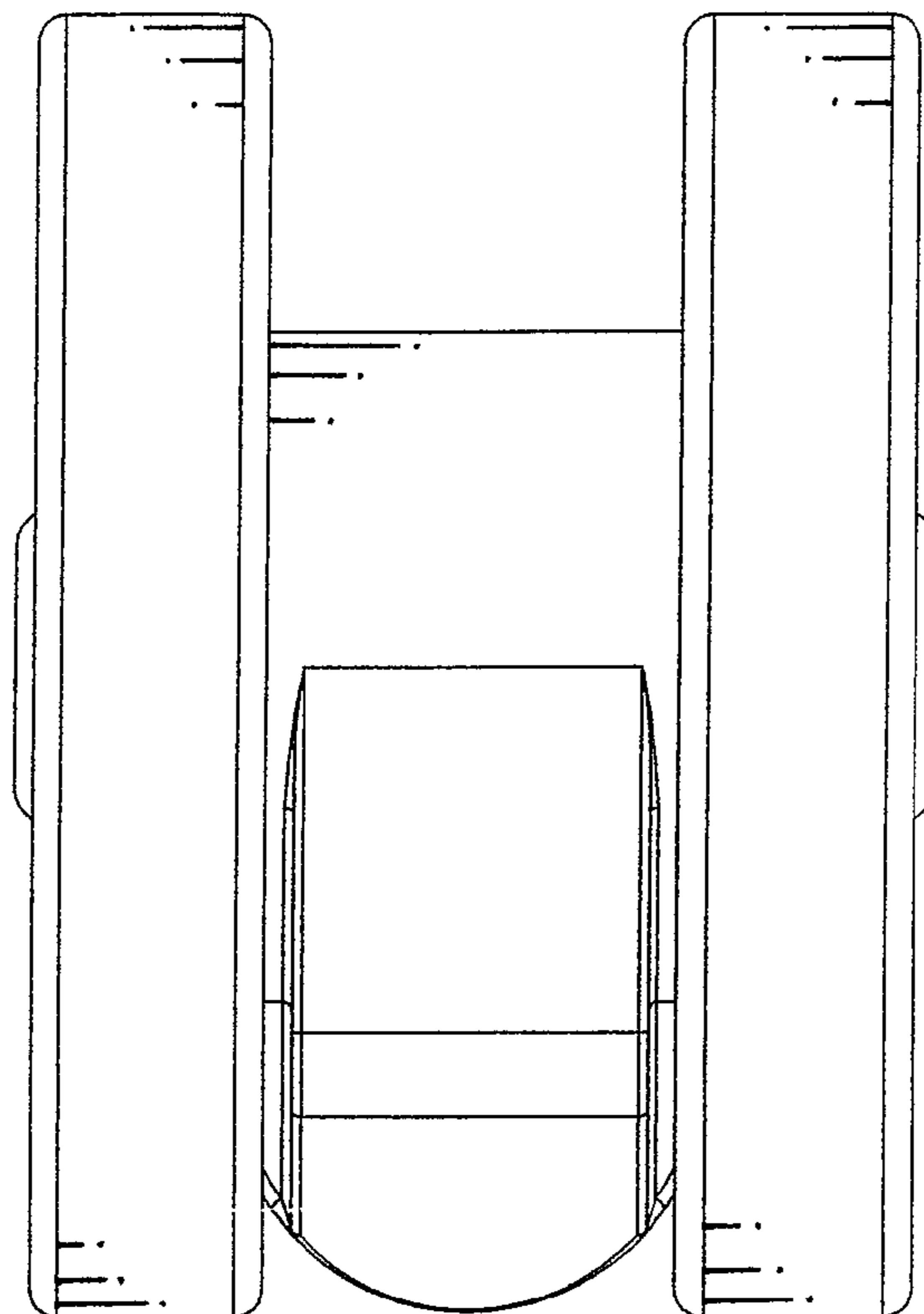


FIG. 7

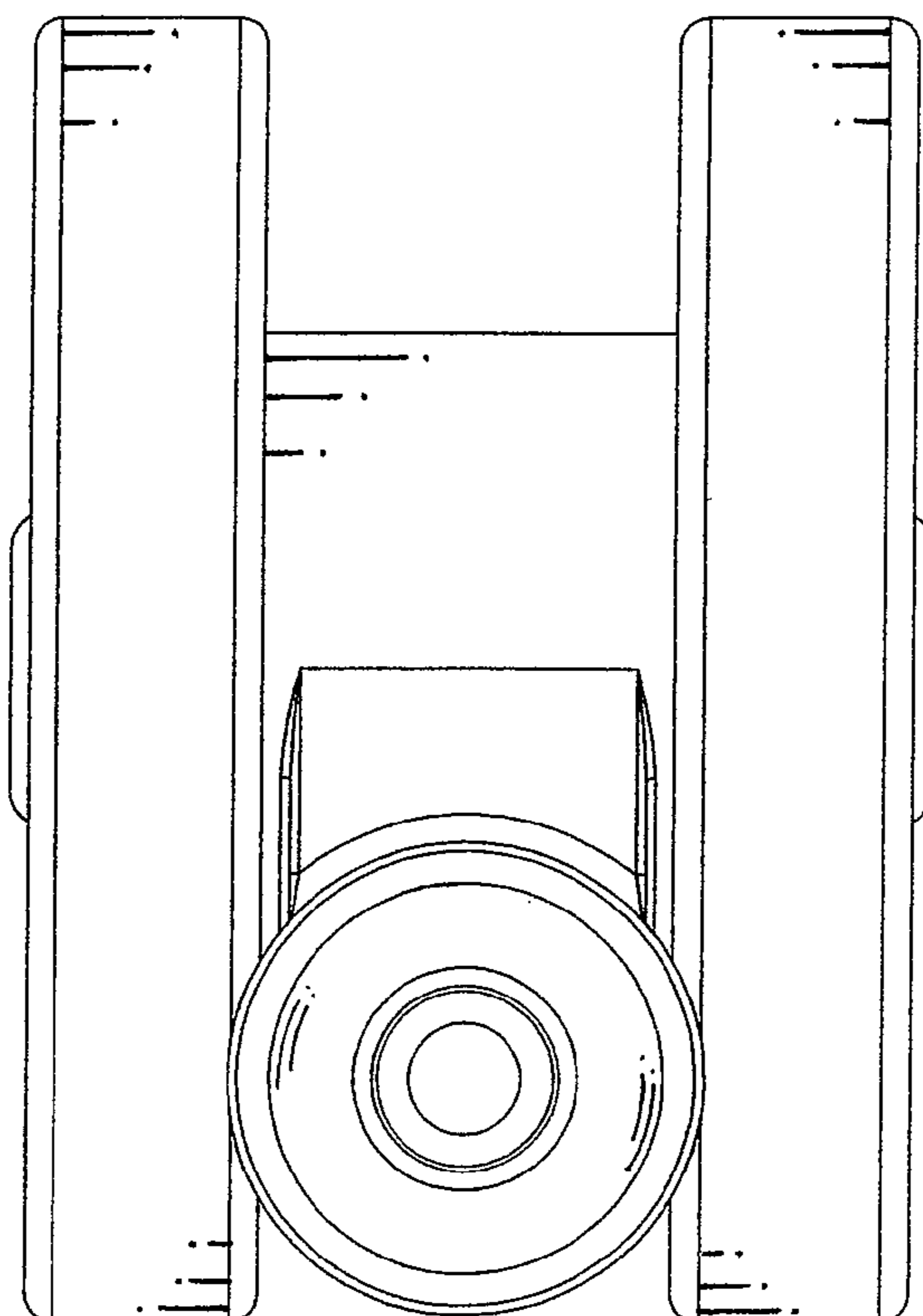


FIG. 6