



US00D668943S

(12) **United States Design Patent**
Tsai

(10) **Patent No.:** **US D668,943 S**
(45) **Date of Patent:** **** Oct. 16, 2012**

(54) **CHAIR CASTOR**

(76) Inventor: **Po-Chuan Tsai**, Tainan (TW)

(**) Term: **14 Years**

(21) Appl. No.: **29/393,117**

(22) Filed: **May 31, 2011**

(51) **LOC (9) Cl.** **08-05**

(52) **U.S. Cl.** **D8/375**

(58) **Field of Classification Search** D8/375,
D8/382, 354; 16/18 R, 29, 31 R, 35 D, 35 R,
16/37, 45, 46, 47; 188/1.12, 69; D34/27;
D3/318; D12/206, 207, 208

See application file for complete search history.

(56) **References Cited**

U.S. PATENT DOCUMENTS

D600,104 S * 9/2009 Weber et al. D8/375
7,950,108 B2 * 5/2011 Yang et al. 16/47

D653,526 S * 2/2012 Melara D8/375
* cited by examiner

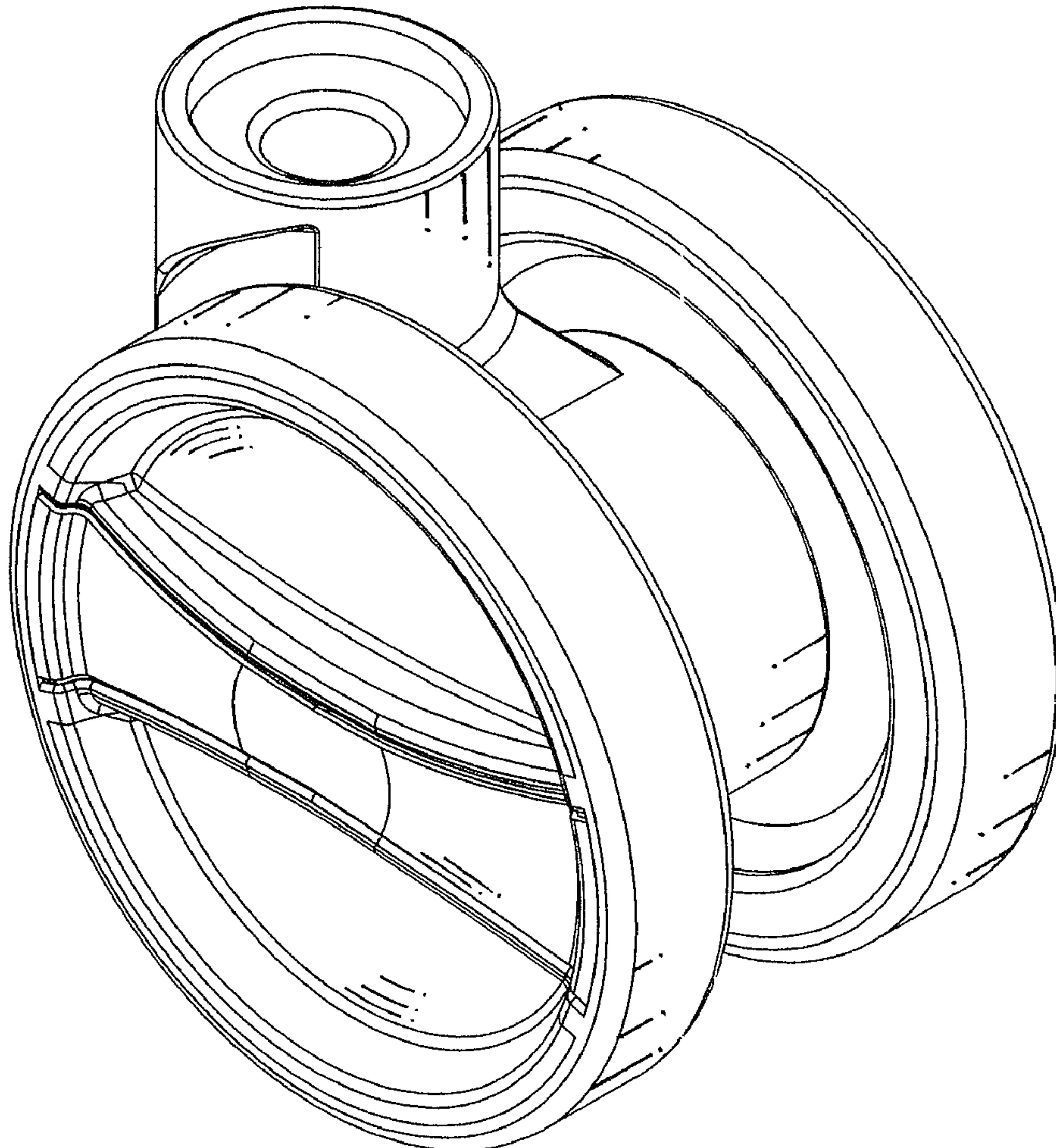
Primary Examiner — Robert M. Spear
Assistant Examiner — Barbara B Lohr
(74) *Attorney, Agent, or Firm* — Alan Kamrath; Kamrath IP
Lawfirm, PA

(57) **CLAIM**
The ornamental design for a chair castor, as shown and
described.

DESCRIPTION

FIG. 1 is a perspective view of a chair castor showing my
design;
FIG. 2 is a front elevational view thereof;
FIG. 3 is a rear elevational view thereof;
FIG. 4 is a left side elevational view thereof;
FIG. 5 is a right side elevational view thereof;
FIG. 6 is a top plan view thereof; and,
FIG. 7 is a bottom plan view thereof.

1 Claim, 4 Drawing Sheets



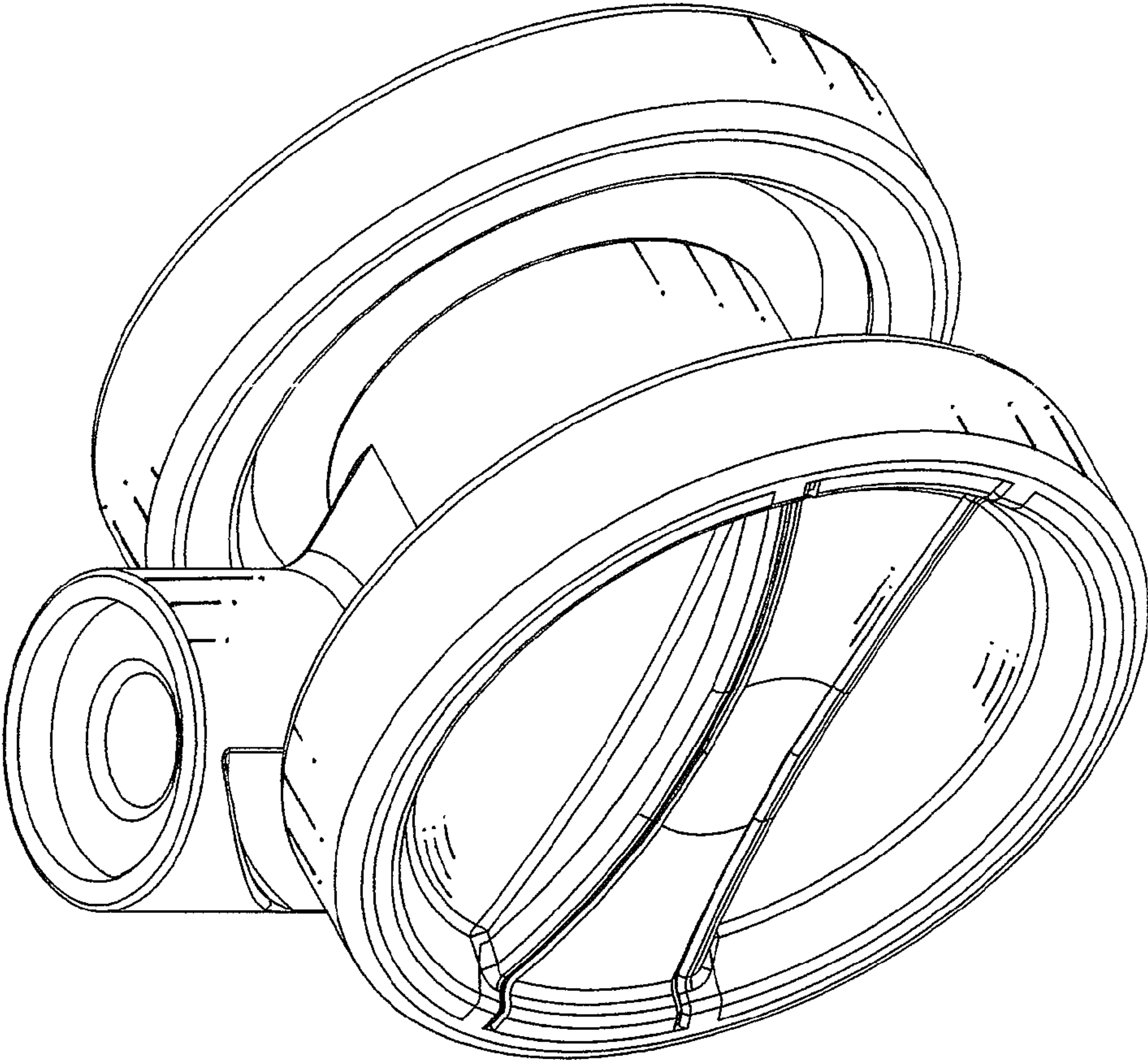


FIG.1

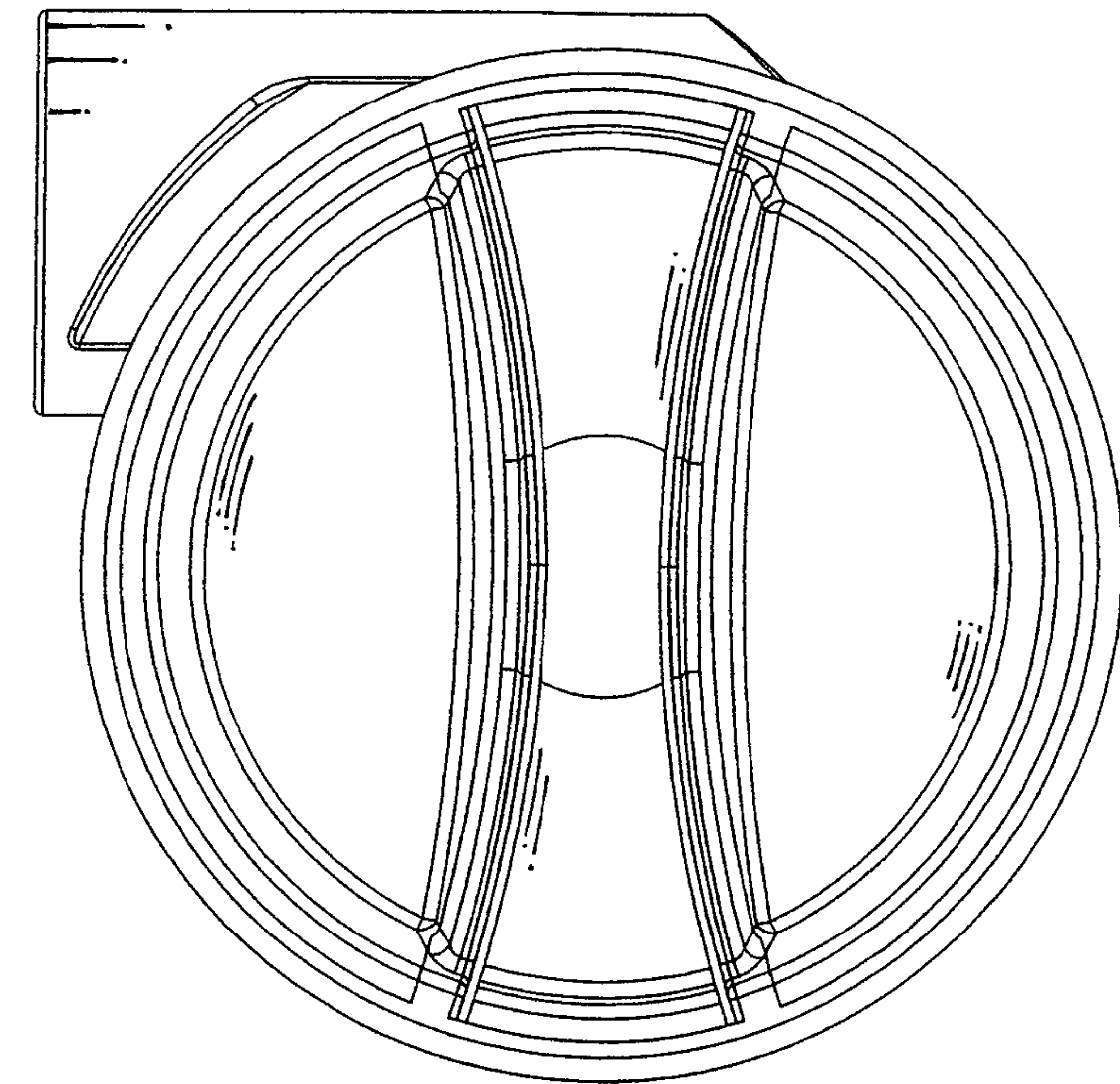


FIG. 2

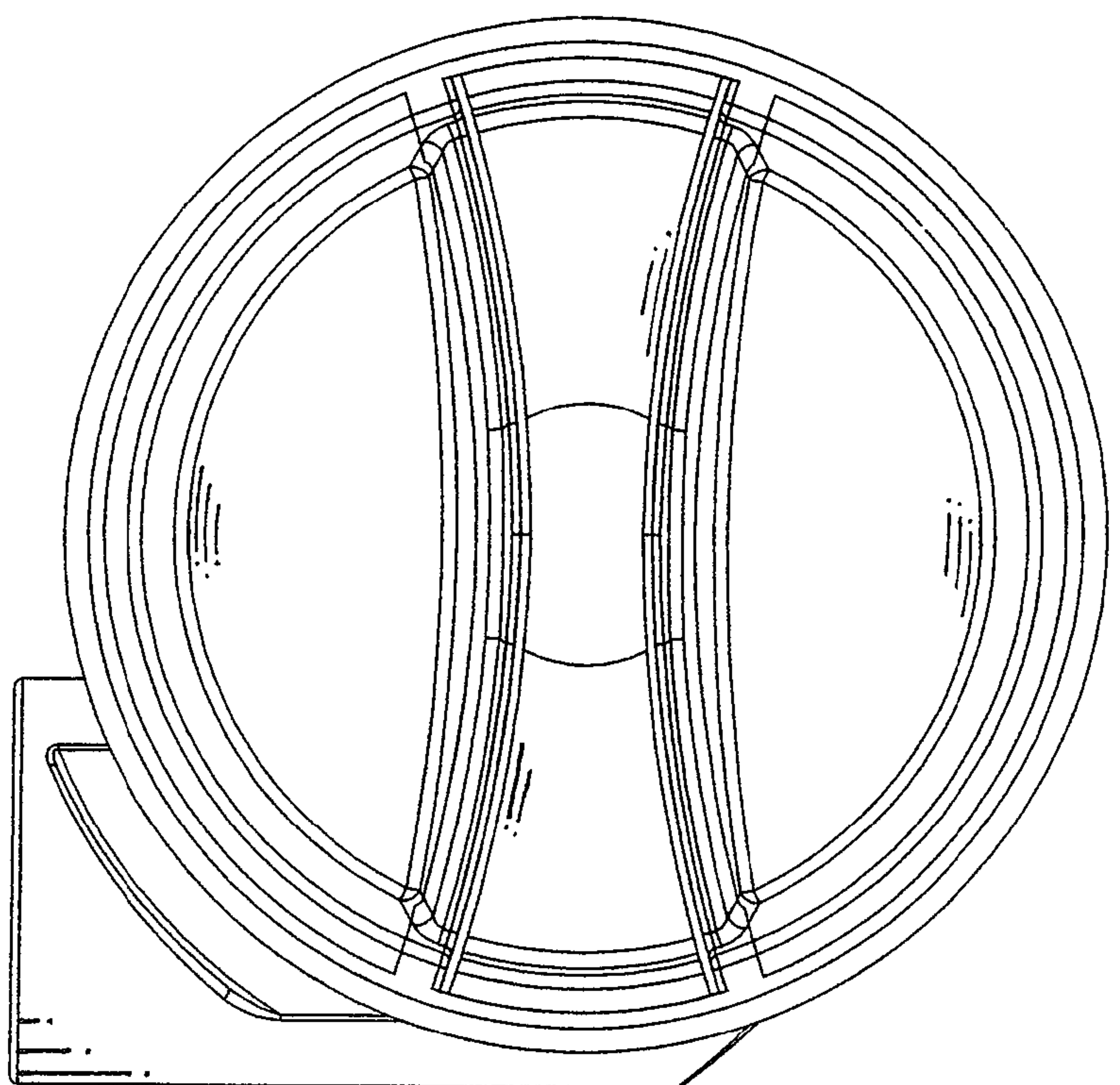


FIG. 3

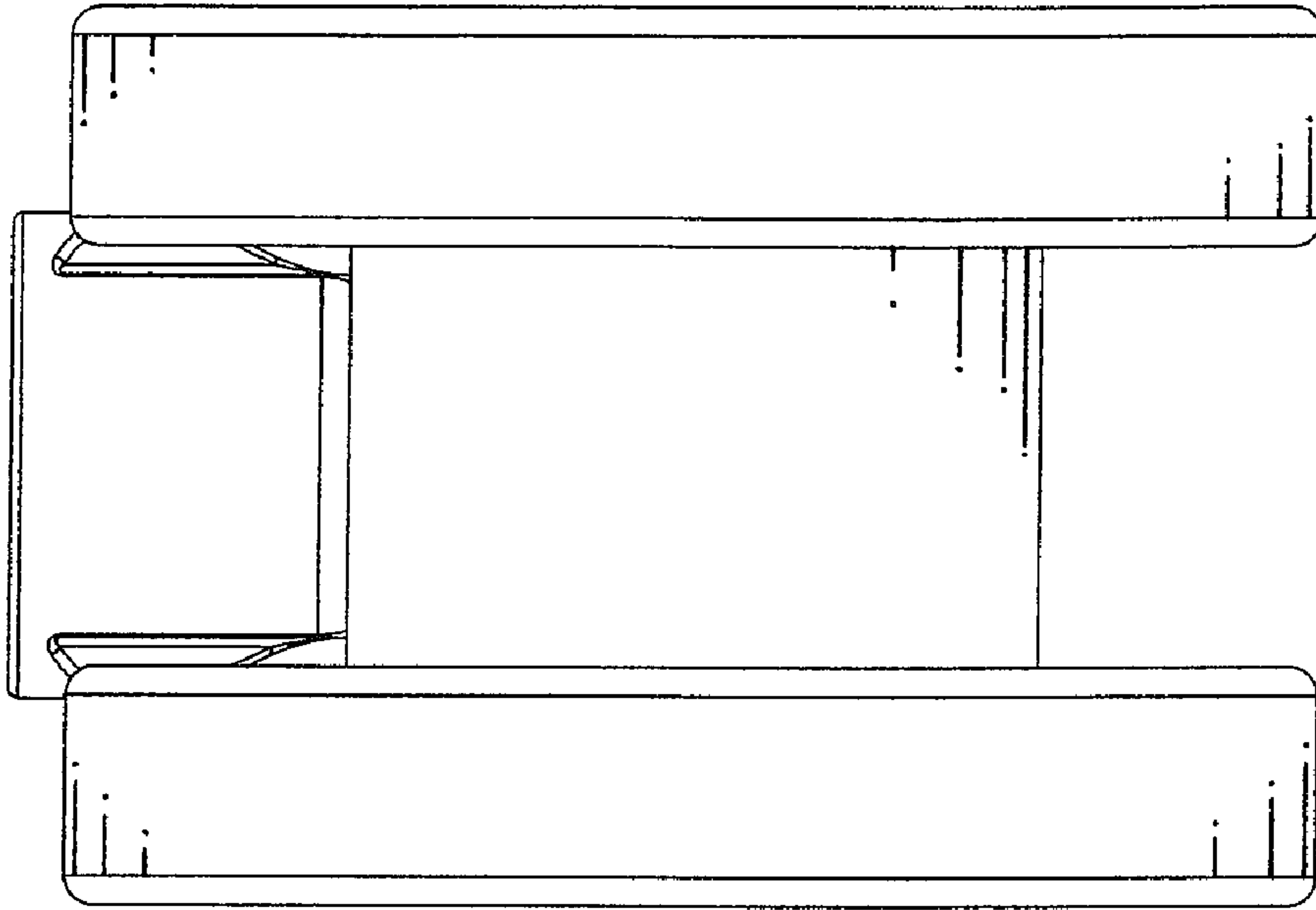


FIG. 5

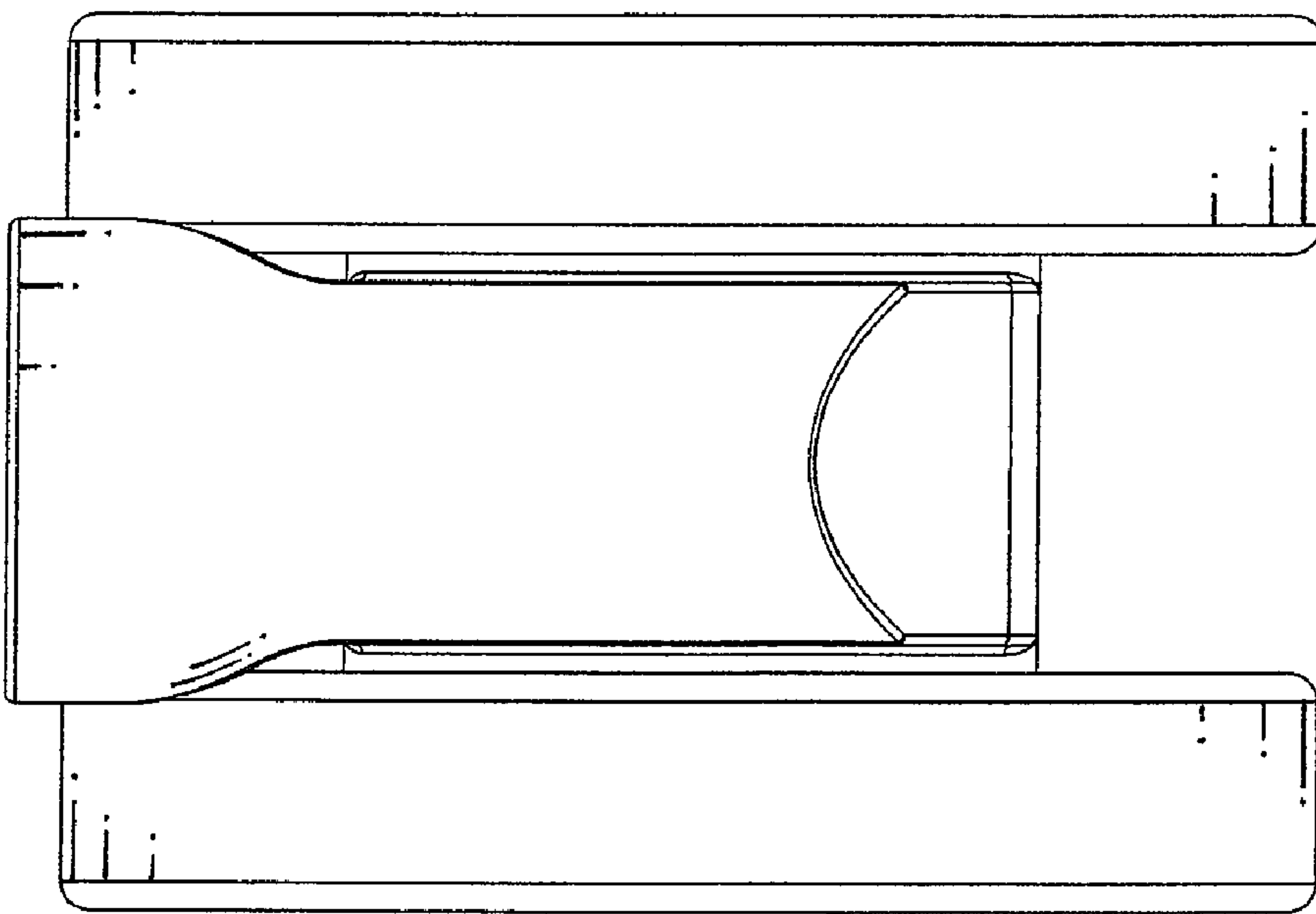


FIG. 4

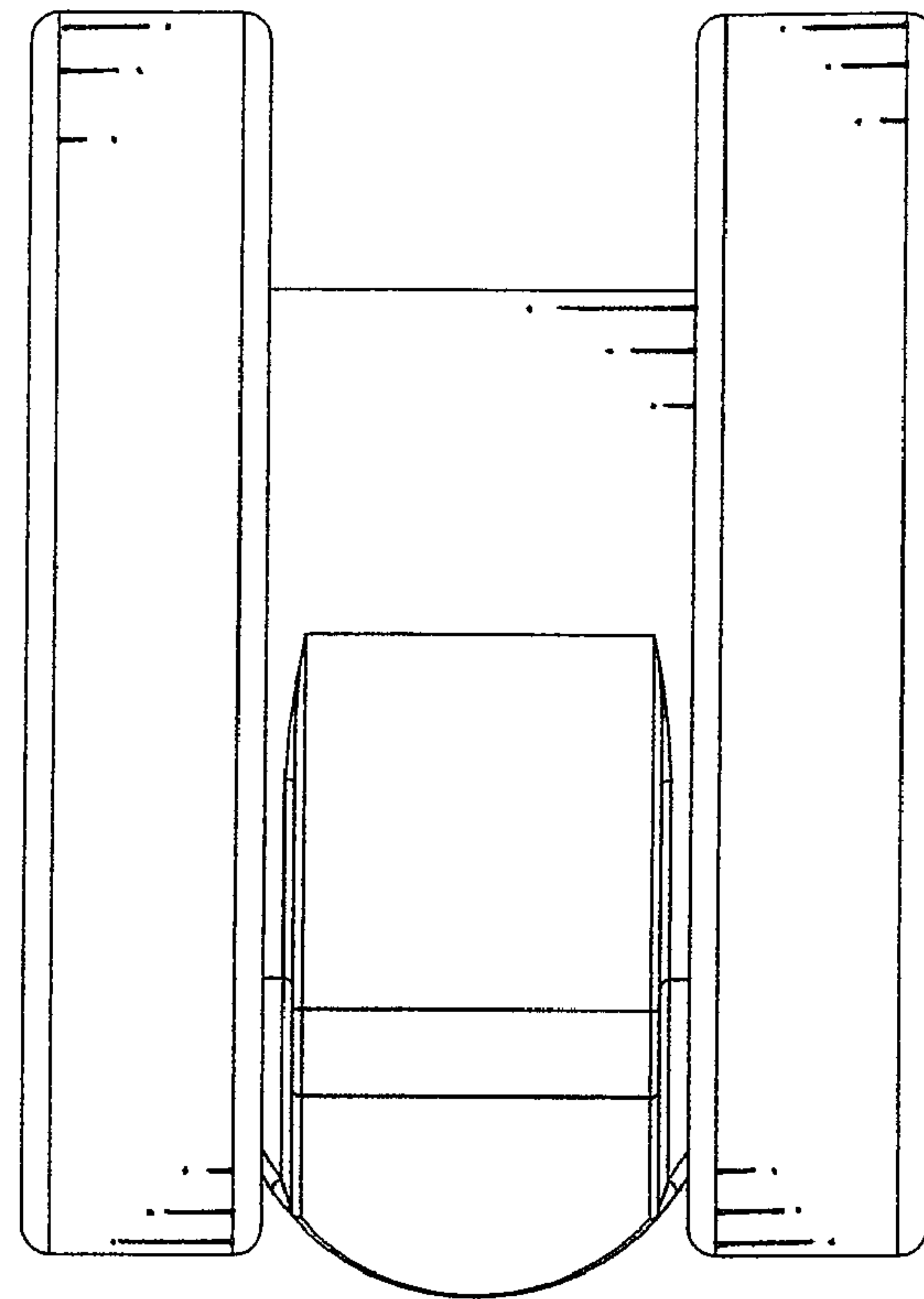


FIG. 6

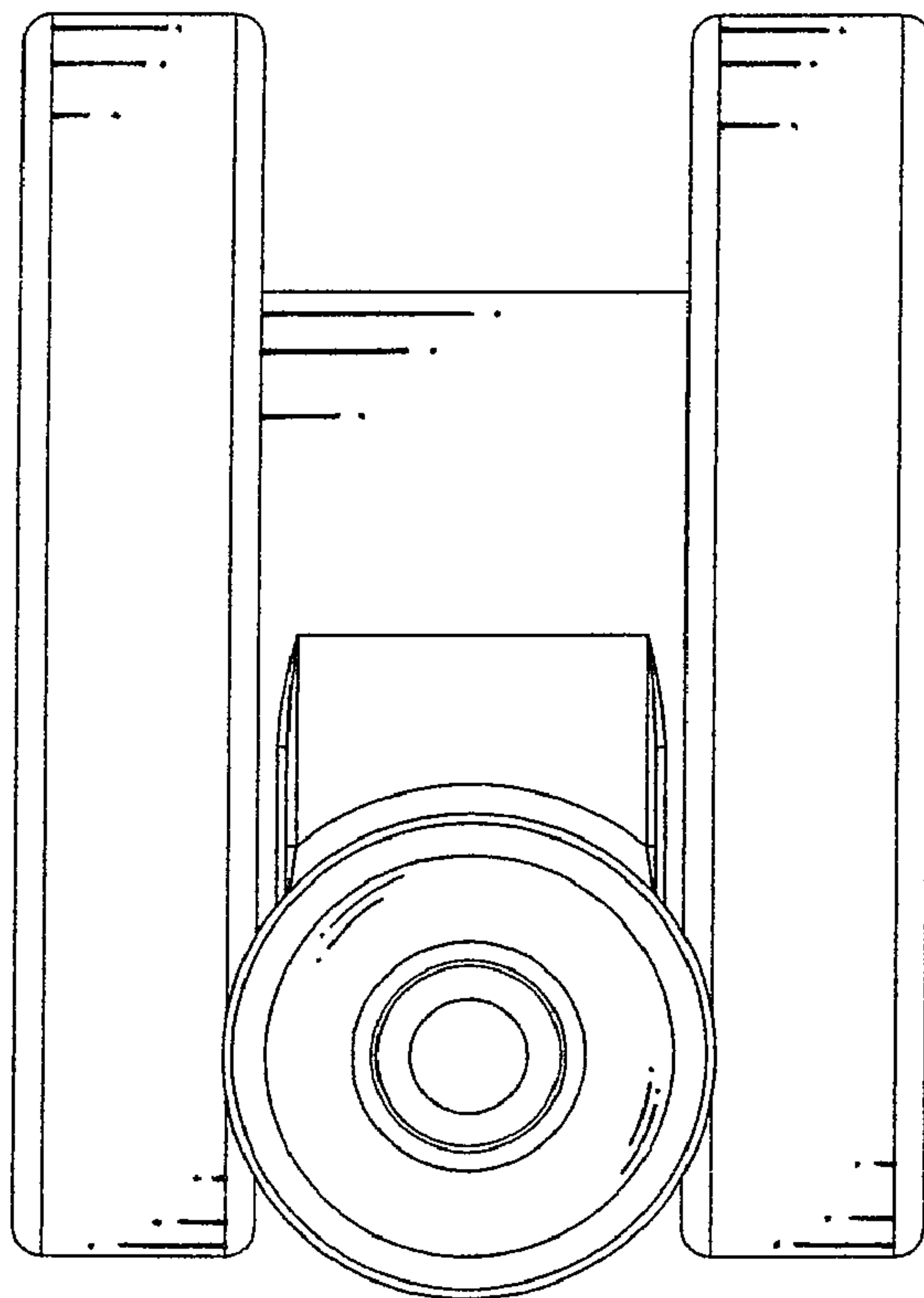


FIG. 7