



US00D668942S

(12) **United States Design Patent**  
**McGarry**

(10) **Patent No.:** **US D668,942 S**

(45) **Date of Patent:** **\*\* Oct. 16, 2012**

(54) **BED FRAME RISER**

(76) Inventor: **Steven P. McGarry**, Raleigh, NC (US)

(\*\*) Term: **14 Years**

(21) Appl. No.: **29/419,950**

(22) Filed: **May 3, 2012**

(51) **LOC (9) Cl.** ..... **08-05**

(52) **U.S. Cl.** ..... **D8/374; D8/375**

(58) **Field of Classification Search** ..... D7/587,  
D7/500, 586, 374, 373, 354, 349, 375; D9/414,  
D9/432, 428; 220/574; 5/509.1; 248/346.11,  
248/188.8, 188.9, 188.3; D6/495; 16/26  
See application file for complete search history.

(56) **References Cited**

**U.S. PATENT DOCUMENTS**

758,917	A	5/1904	Holland et al.	
1,440,641	A *	1/1923	Stevens	16/26
2,886,277	A *	5/1959	Boham et al.	248/205.5
2,933,850	A	4/1960	Martin	
D291,059	S *	7/1987	Mickelson	D8/375
D338,360	S	8/1993	Petersen	
5,345,631	A	9/1994	Saperstein et al.	
D392,875	S *	3/1998	Scott	D8/375
D404,992	S	2/1999	Sittig	
D469,992	S *	2/2003	Lasota	D6/495
6,575,414	B2	6/2003	Cuzzocrea	
D484,397	S *	12/2003	Lee	D8/375

D488,704	S *	4/2004	Mercier	D8/354
6,968,583	B1	11/2005	Rich	
D578,868	S *	10/2008	Ramakers et al.	D8/354
D633,902	S *	3/2011	Tokuno	D14/244

\* cited by examiner

*Primary Examiner* — Cynthia Underwood

(74) *Attorney, Agent, or Firm* — Montgomery Patent & Design, LLC; Robert C. Montgomery; Joseph Yaksich

(57) **CLAIM**

The ornamental design for a bed frame riser, as shown and described.

**DESCRIPTION**

FIG. 1 is an environmental view of a plurality of bed frame risers depicted in use with a bed frame, showing my new design;

FIG. 2 is a perspective view of a bed frame riser;

FIG. 3 is a front view thereof with a rear view being a mirror image;

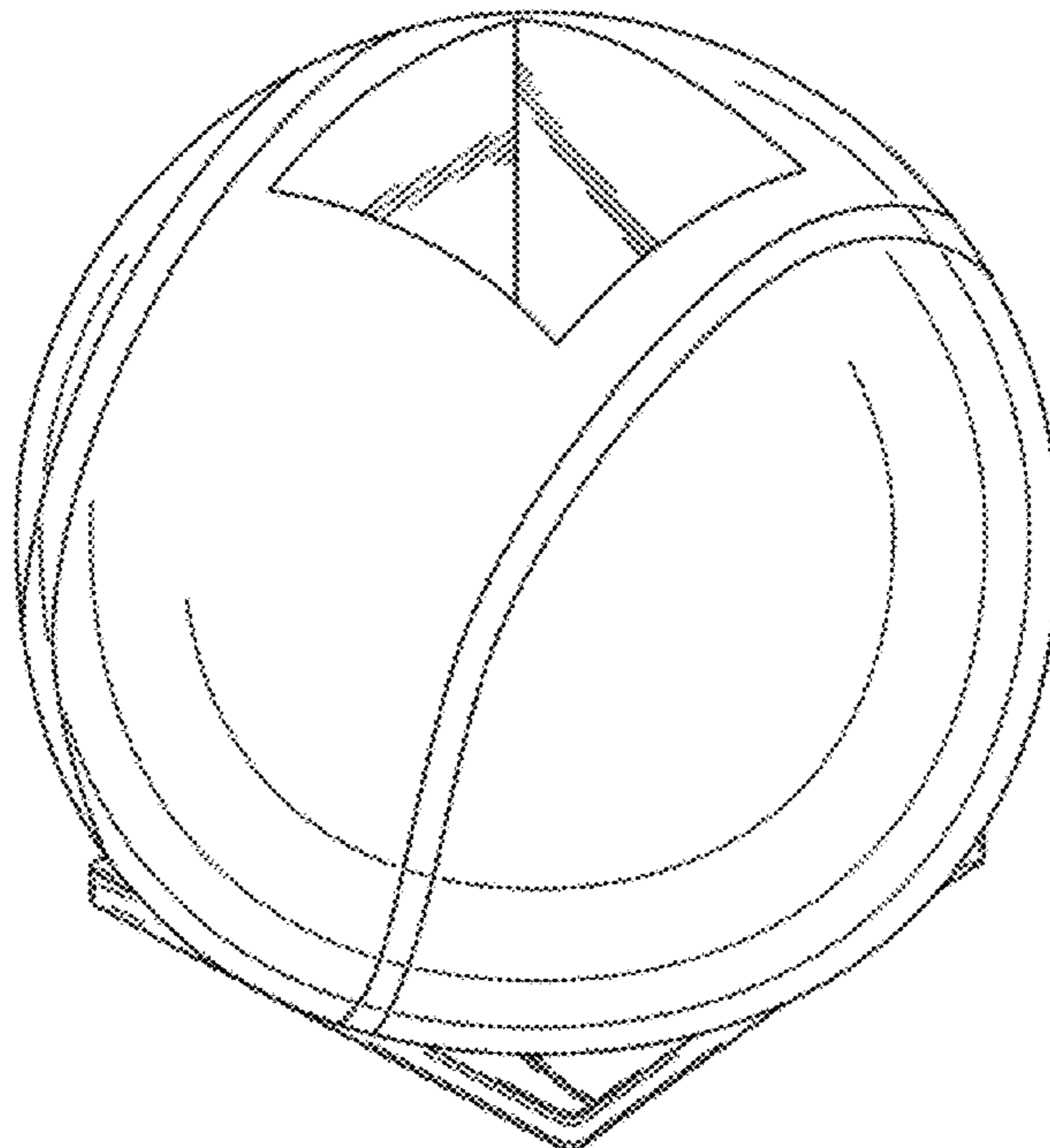
FIG. 4 is a left side view thereof with a right side view being a mirror image;

FIG. 5 is a top view thereof; and,

FIG. 6 is a bottom view thereof.

The broken line showing of a bed frame and bed frame risers shown in FIG. 1 is for the purpose of illustrating environment and forms no part of the claimed design.

**1 Claim, 6 Drawing Sheets**



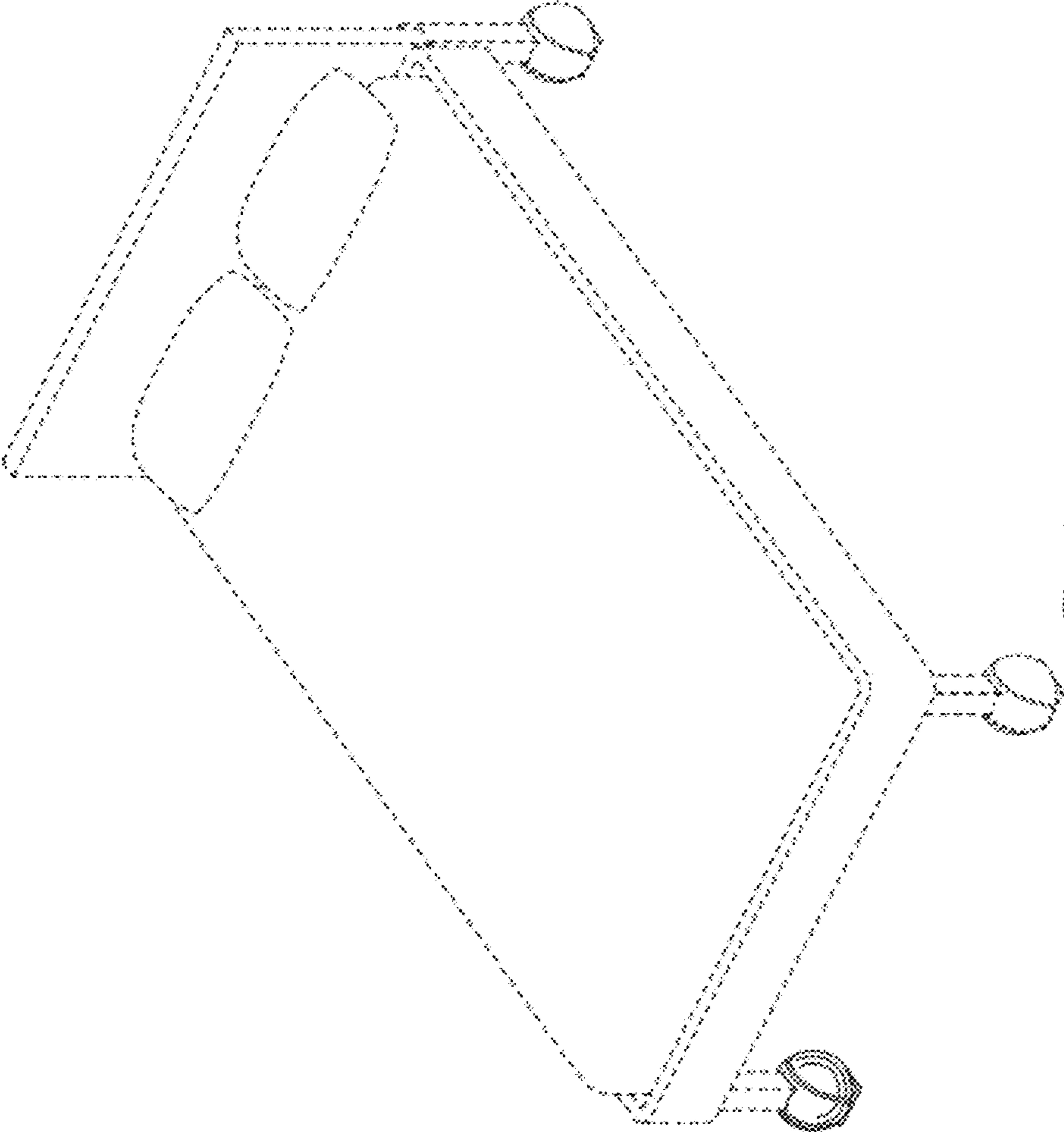


Fig. 1

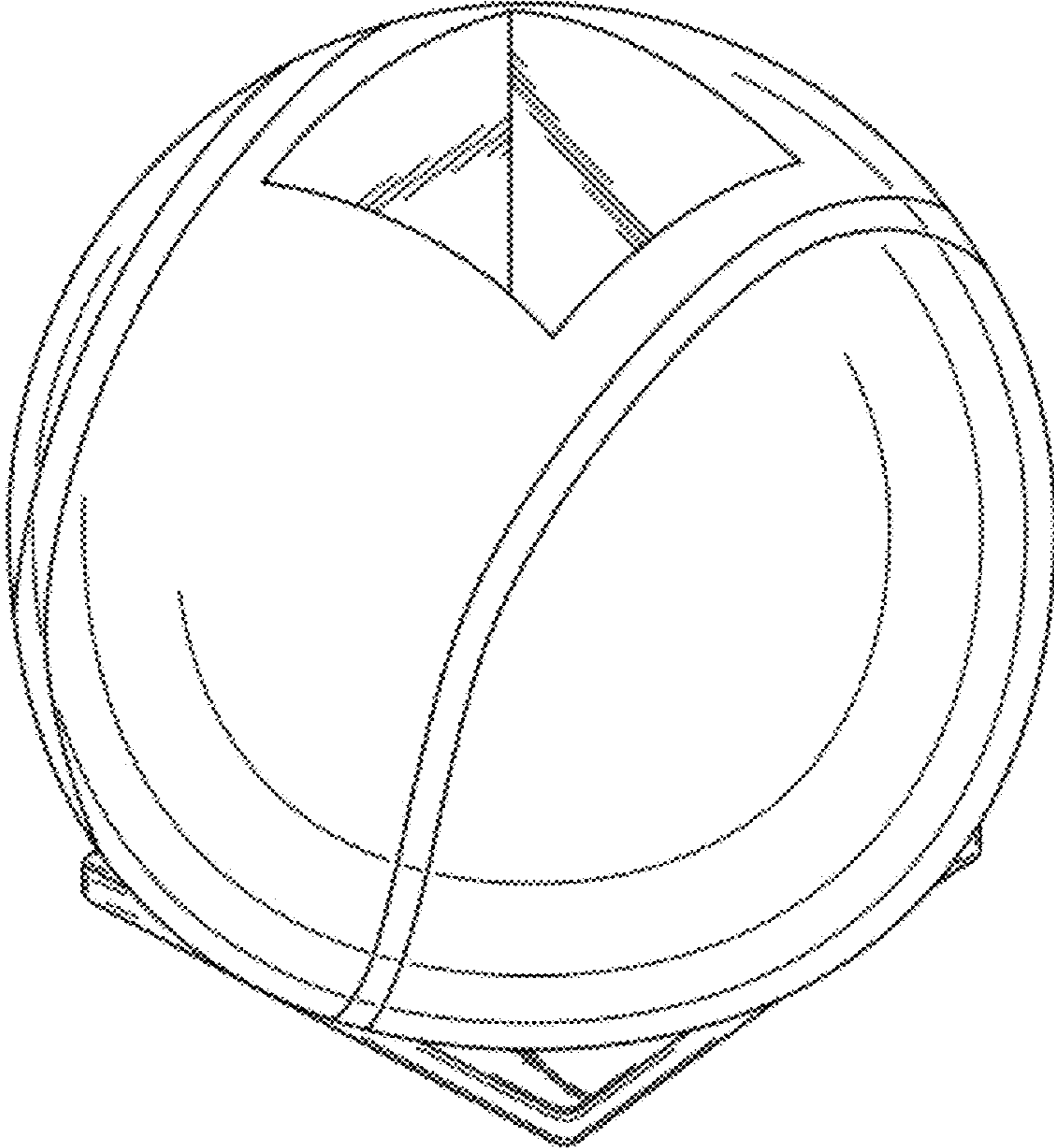


Fig. 2

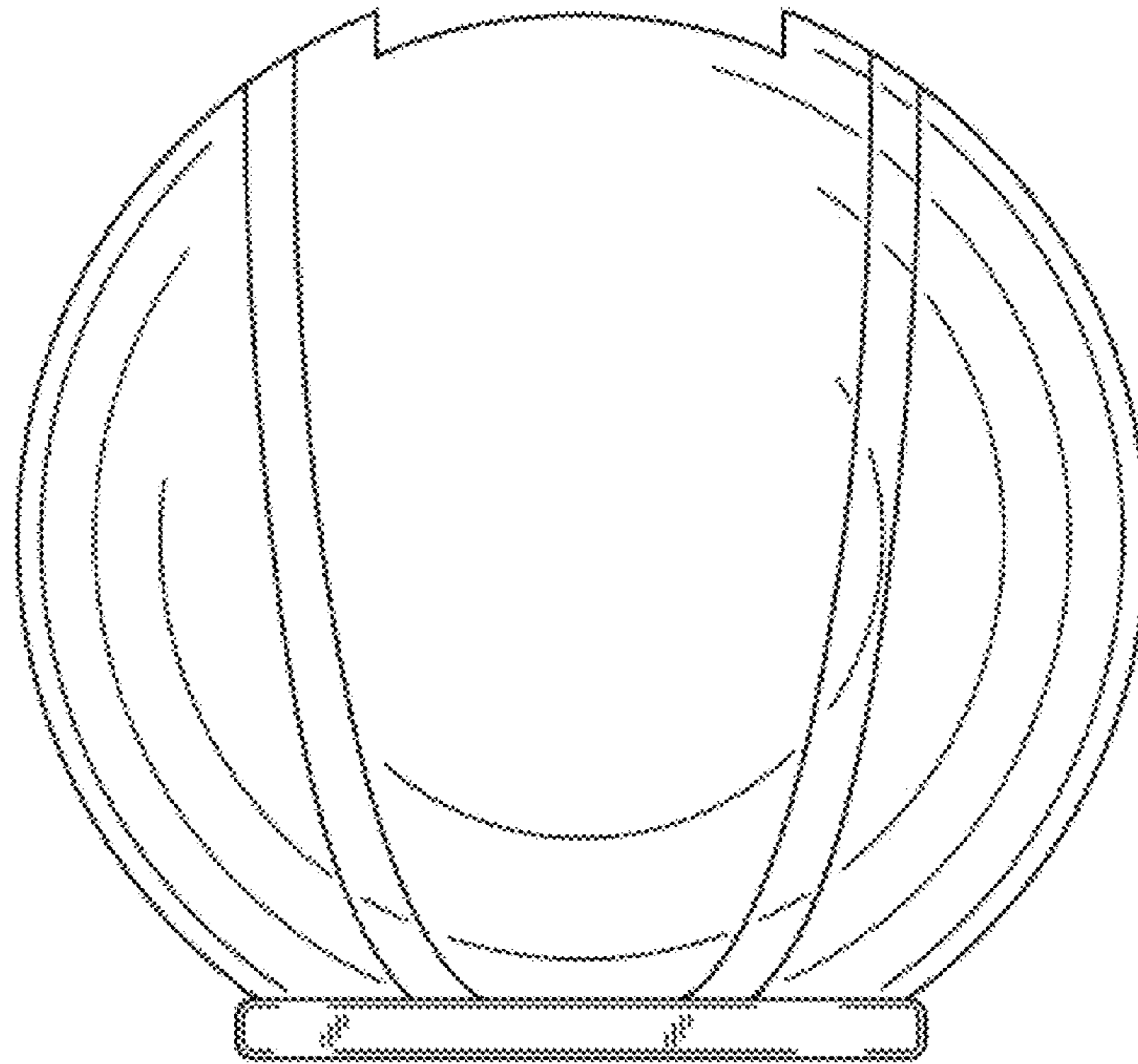


Fig. 3

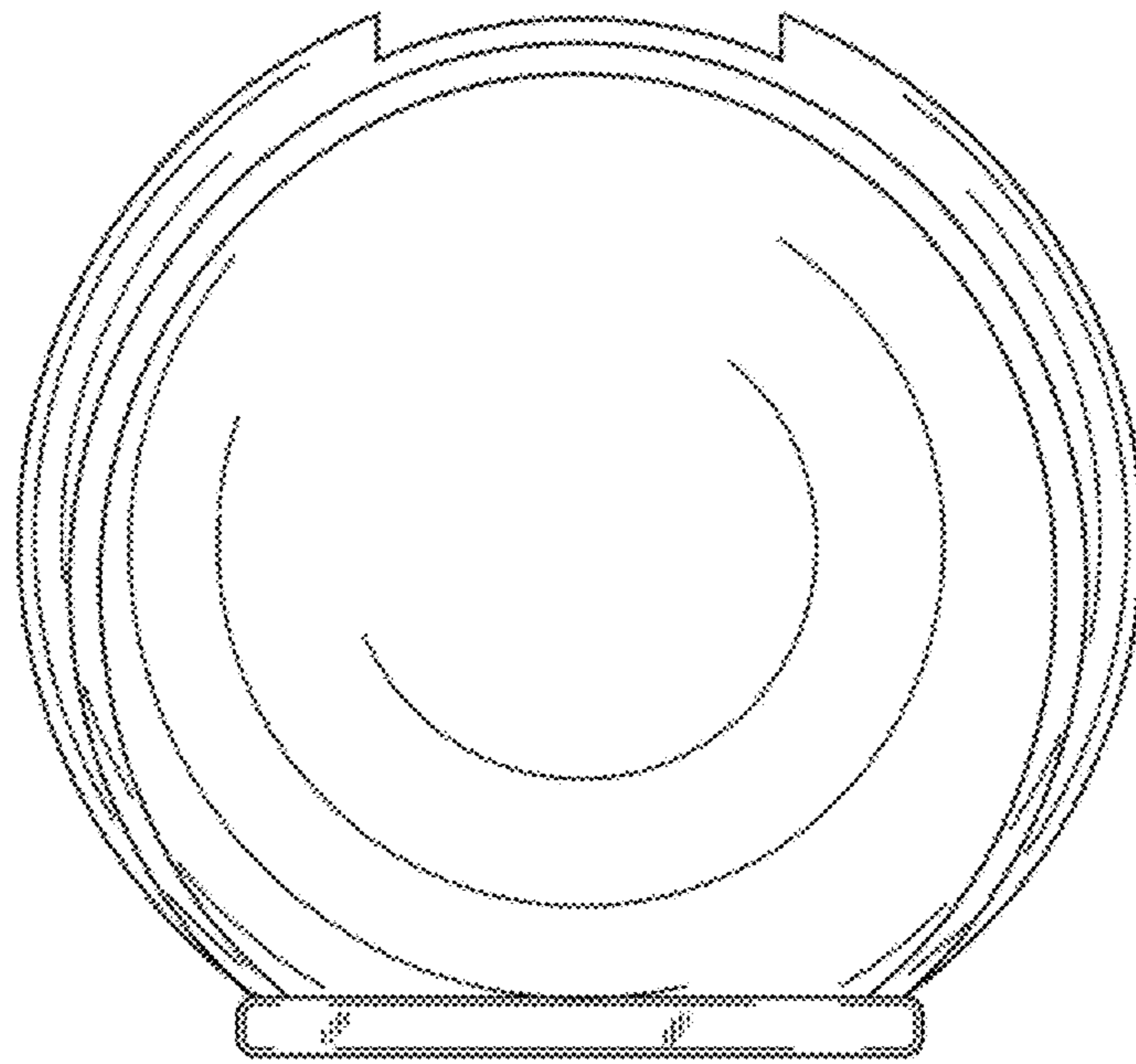


Fig. 4

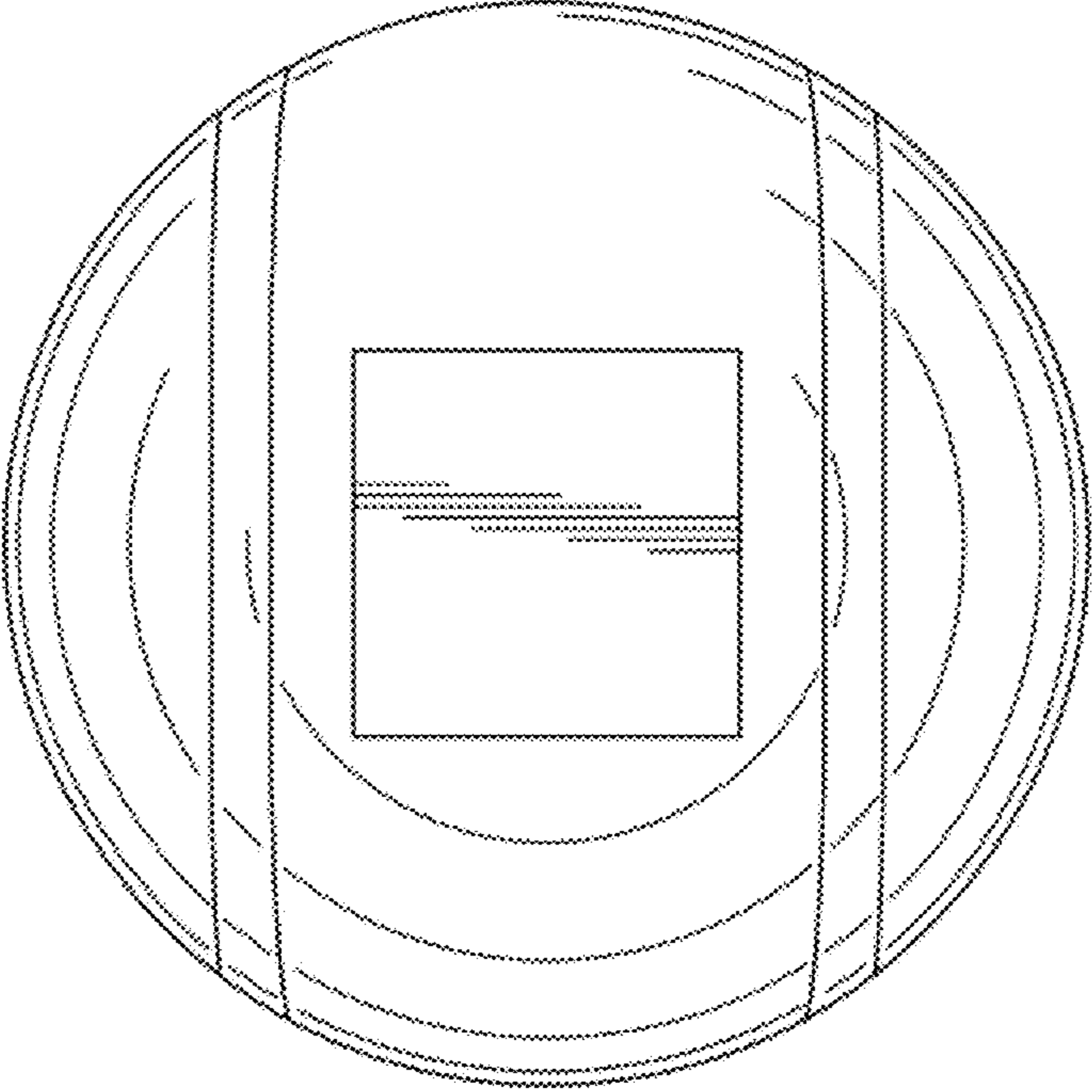


Fig. 5

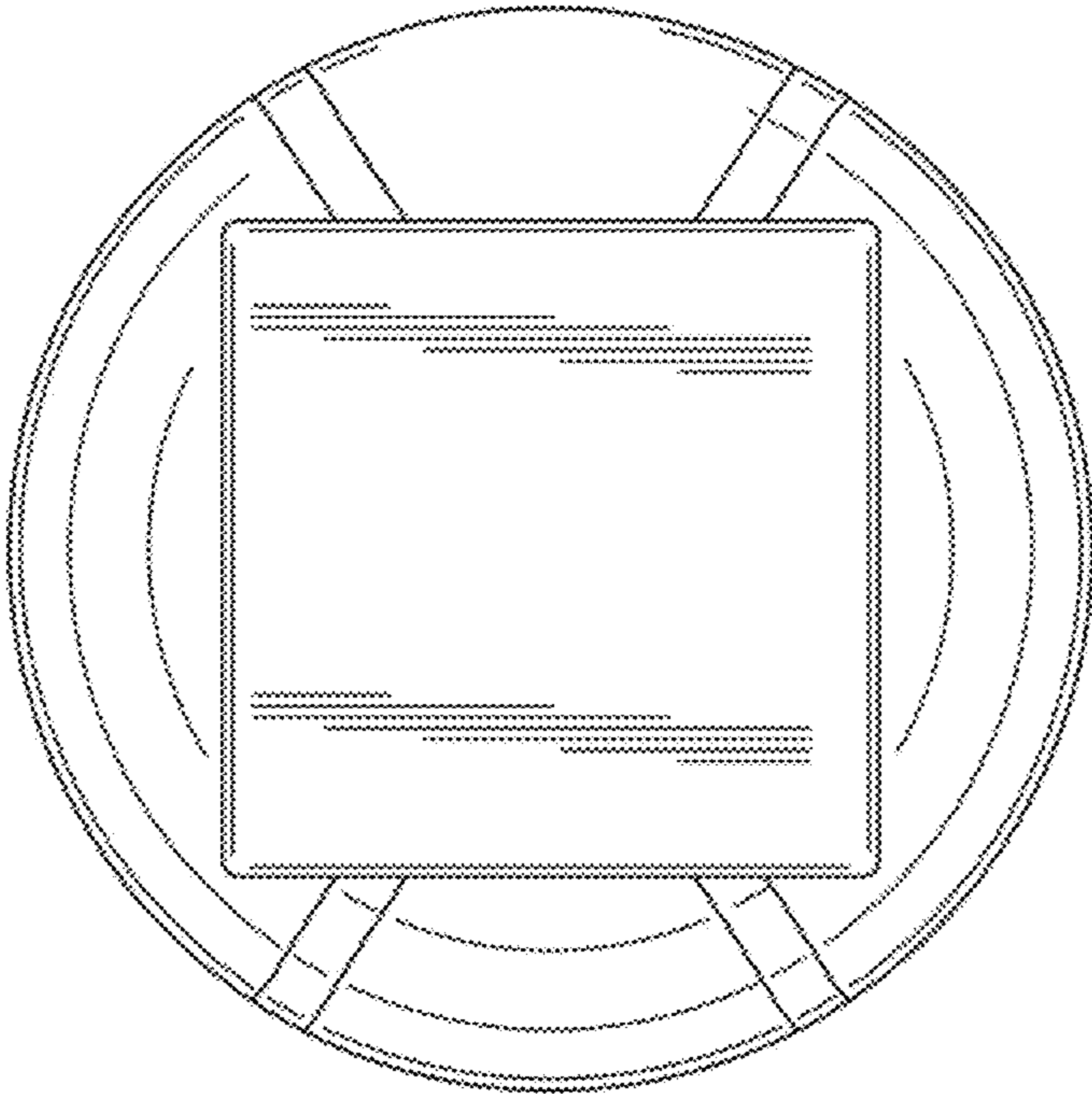


Fig. 6