



US00D668936S

(12) **United States Design Patent**  
**Wyatt**

(10) **Patent No.:** **US D668,936 S**

(45) **Date of Patent:** **\*\* Oct. 16, 2012**

(54) **WALL MOUNTED HOOK FOR A LEASH**

(76) Inventor: **David John Wyatt**, New South Wales (AU)

(\*\*) Term: **14 Years**

(21) Appl. No.: **29/415,476**

(22) Filed: **Mar. 10, 2012**

(51) **LOC (9) Cl.** ..... **08-05**

(52) **U.S. Cl.** ..... **D8/367; D8/373**

(58) **Field of Classification Search** ..... D8/367, D8/373; 248/301, 304, 214-215; 224/268

See application file for complete search history.

(56) **References Cited**

**U.S. PATENT DOCUMENTS**

3,861,633	A *	1/1975	Rapplee et al.	.....	248/290.1
D320,152	S *	9/1991	Schreib	.....	D8/367
D322,747	S	12/1991	Leto		
D326,405	S	5/1992	Leto		
D328,416	S	8/1992	Karrer et al.		
6,247,675	B1	6/2001	Askin		
7,118,082	B2 *	10/2006	Brnjac	.....	248/308
7,219,868	B2 *	5/2007	Marler et al.	.....	248/304
D565,397	S *	4/2008	Fraga	.....	D8/367
7,429,024	B2 *	9/2008	Boklund-Moran	.....	248/304
D596,930	S	7/2009	Gaudron		
D602,767	S	10/2009	Chiu		
D603,247	S *	11/2009	Harrell et al.	.....	D8/367
D603,688	S	11/2009	Chiu		

D641,228	S	7/2011	Qiblawi et al.
D641,229	S	7/2011	Qiblawi et al.
2009/0260192	A1	10/2009	McCarthy

**OTHER PUBLICATIONS**

AU 339220 S (David Wyatt) Oct. 31, 2011 [online][retrieved on Dec. 6, 2012]. Retrieved from Australian patent database.\*

\* cited by examiner

*Primary Examiner* — Holly Baynham

(74) *Attorney, Agent, or Firm* — Mayback & Hoffman, P.A.; Gregory L Mayback; Thomas Bethea

(57) **CLAIM**

The ornamental design for a wall mounted hook for a leash, as shown and described.

**DESCRIPTION**

FIG. 1 is a front elevational view of a wall mounted hook for a leash according to the invention with a leash securement in a first configuration;

FIG. 2 is a perspective view of a front side of the hook of FIG. 1 from above the left side thereof;

FIG. 3 is a perspective view of a front side of the hook of FIG. 1 with the leash securement in a second configuration;

FIG. 4 is a rear elevational view of the hook of FIG. 1;

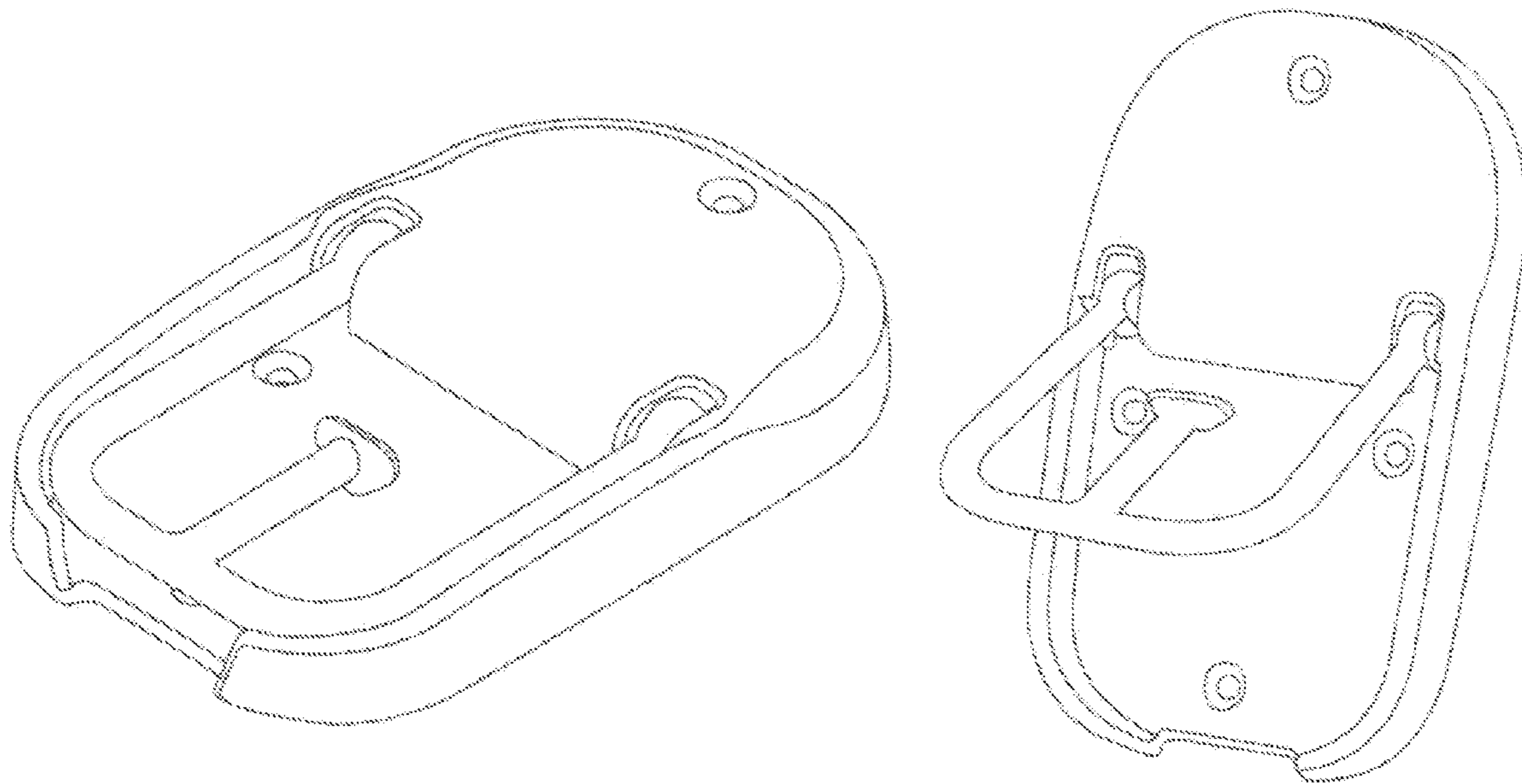
FIG. 5 is a perspective view of the rear side of the hook of FIG. 1 from above a right side thereof;

FIG. 6 is a top plan view of the hook of FIG. 1;

FIG. 7 is a bottom plan view of the hook of FIG. 1; and,

FIG. 8 is an elevational view of the left side of the hook of FIG. 1, the right side thereof being a mirror image.

**1 Claim, 4 Drawing Sheets**



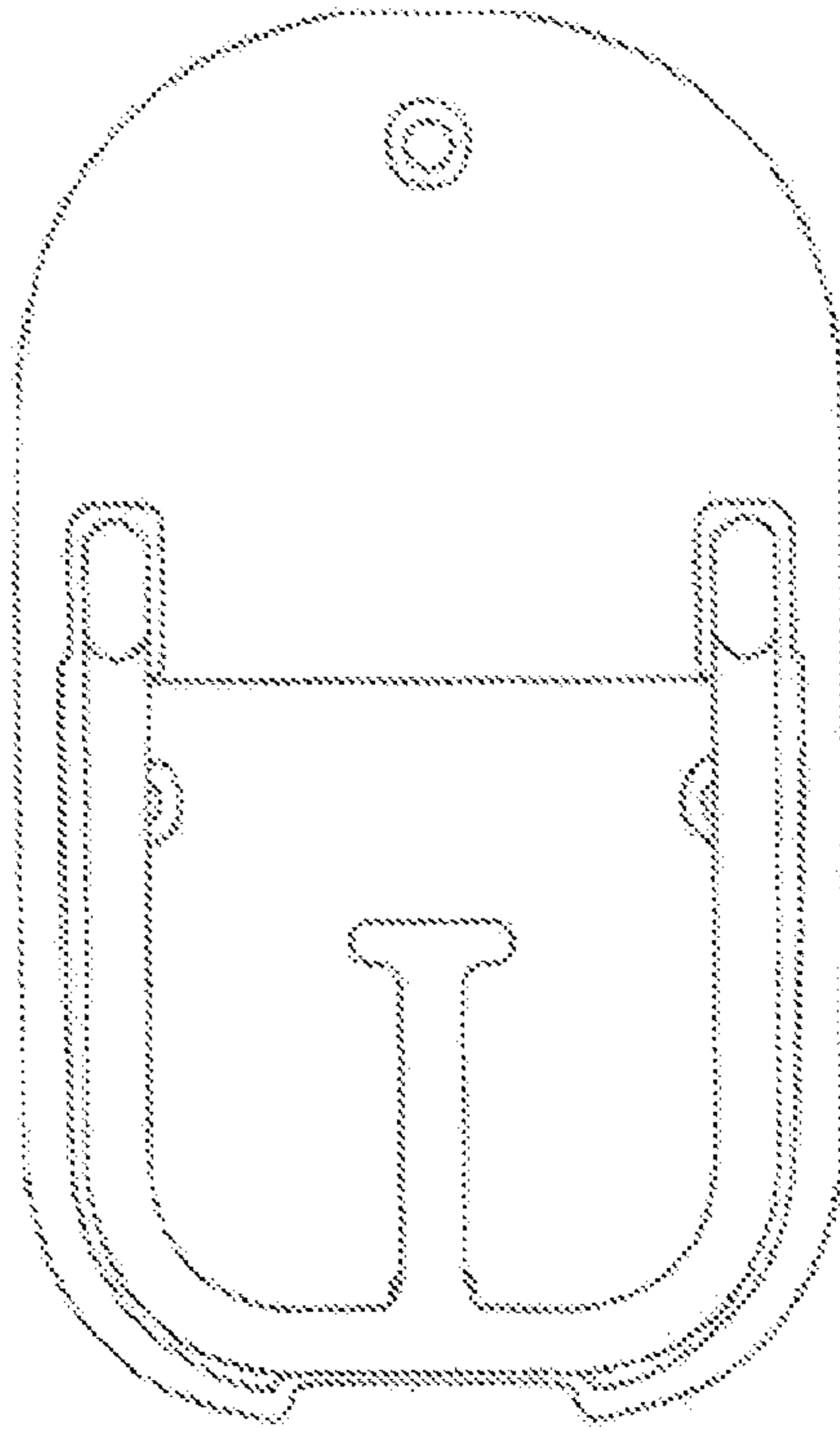


FIG. 1

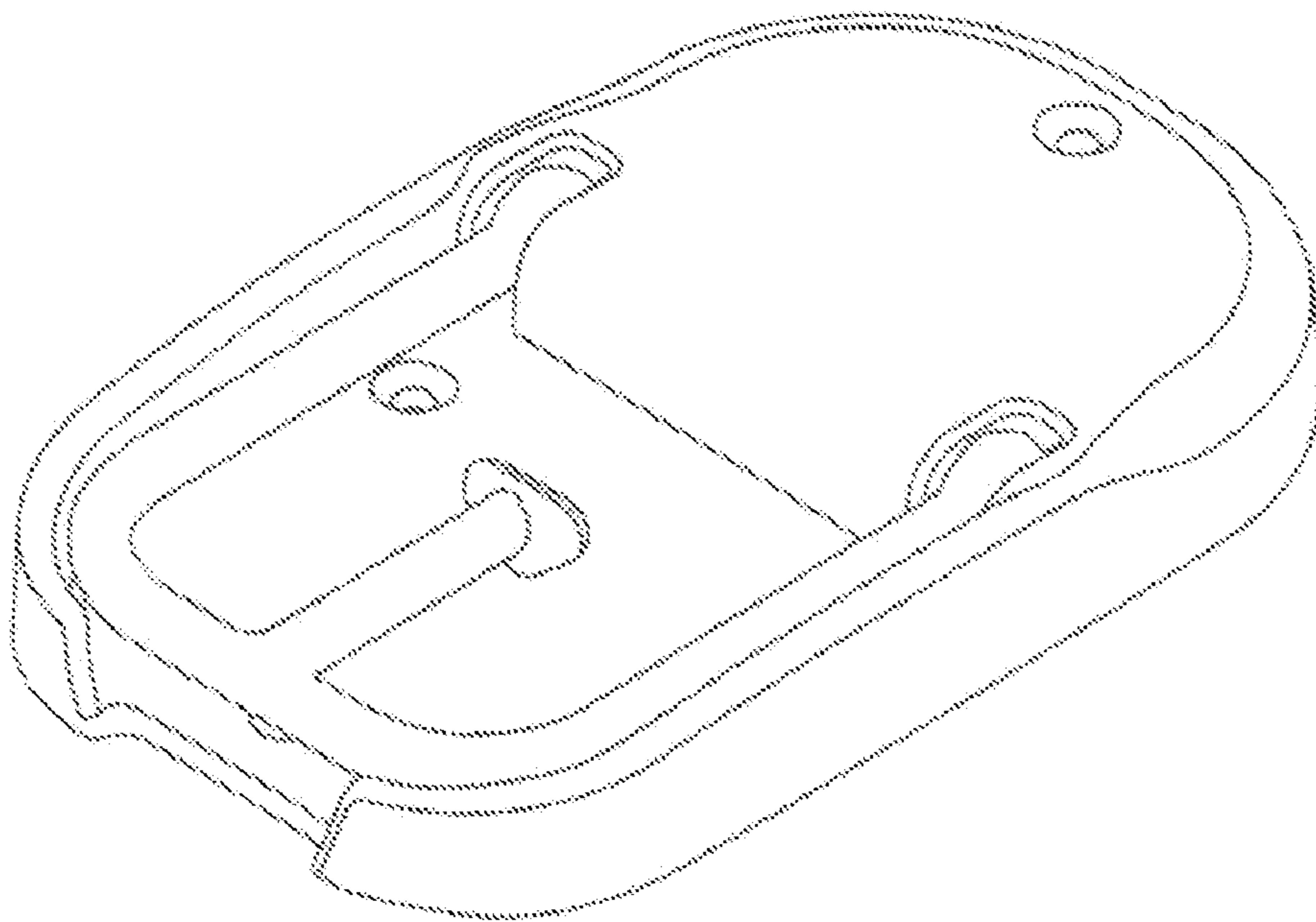


FIG. 2

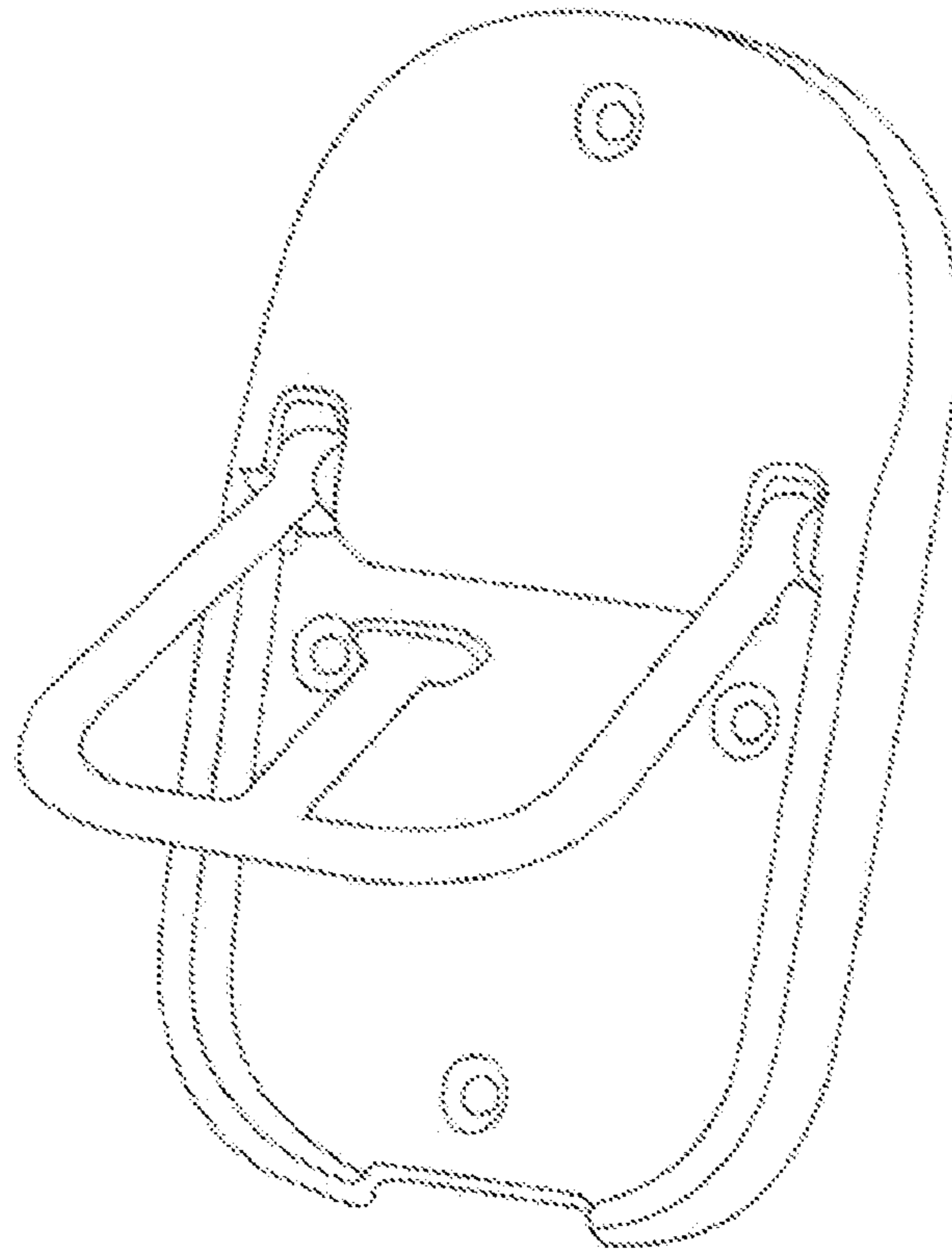


FIG. 3

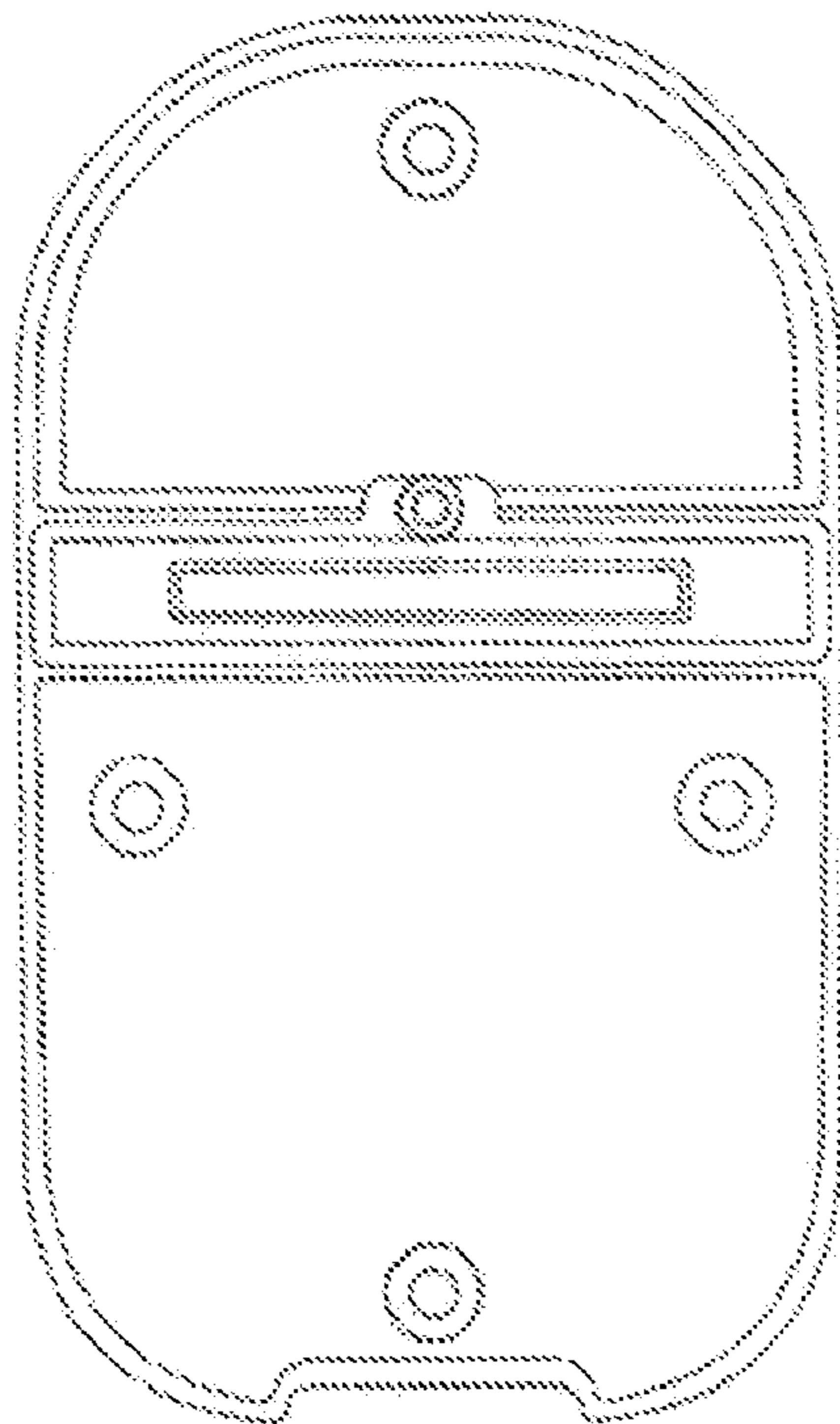


FIG. 4

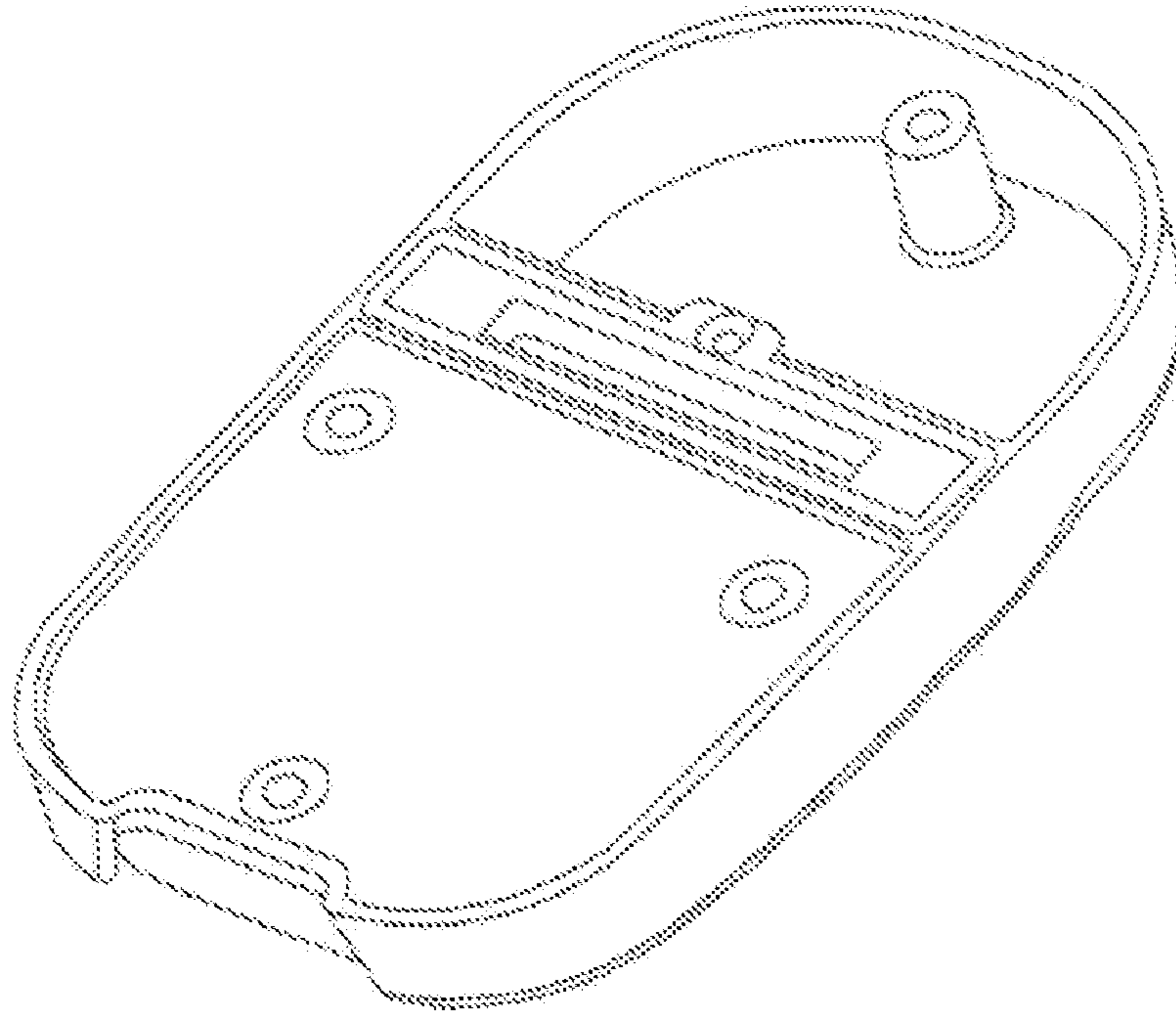


FIG. 5

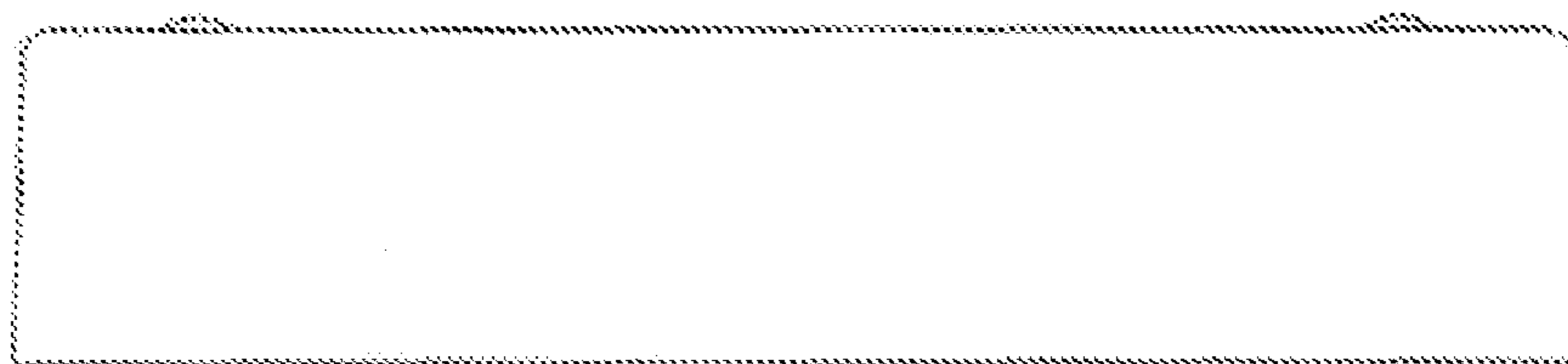


FIG. 6

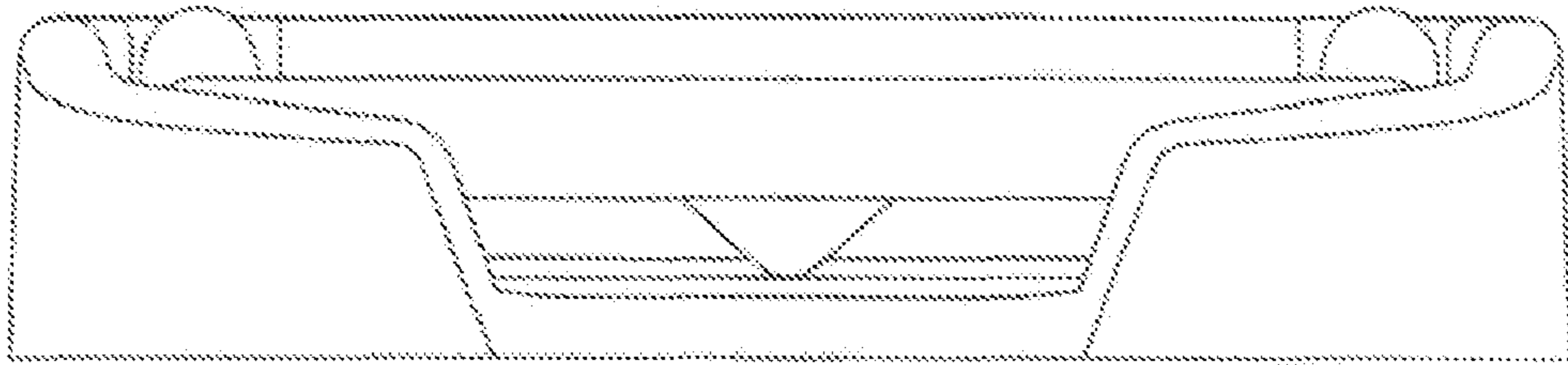


FIG. 7

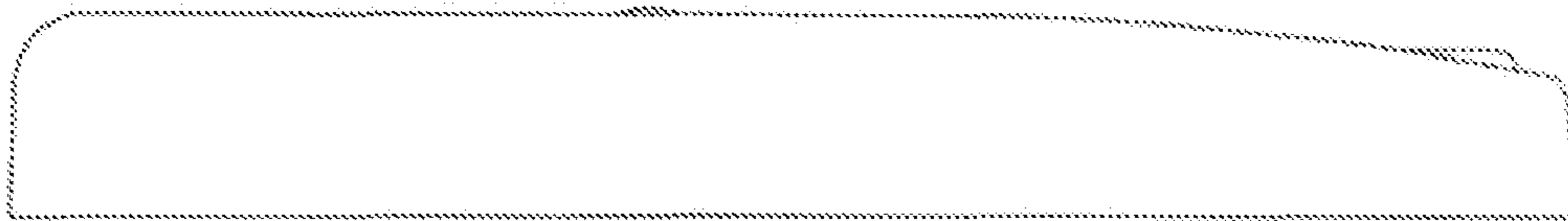


FIG. 8