



US00D668934S

(12) **United States Design Patent**
Warner

(10) **Patent No.:** **US D668,934 S**
(45) **Date of Patent:** **** Oct. 16, 2012**

(54) **CORD HOLDER**

(75) Inventor: **Scott K. Warner**, Lehi, UT (US)

(73) Assignee: **Semco Plastic Company**, St. Louis, MO (US)

(**) Term: **14 Years**

(21) Appl. No.: **29/418,173**

(22) Filed: **Apr. 12, 2012**

(51) **LOC (9) Cl.** **08-05**

(52) **U.S. Cl.** **D8/356**

(58) **Field of Classification Search** D8/397,
D8/367, 356, 394, 382, 349, 354, 373; 174/68.3;
D6/513, 113; 411/431; 256/19; D13/133;
24/115 F; 439/501; 320/111, 114; 114/218
See application file for complete search history.

(56) **References Cited**

U.S. PATENT DOCUMENTS

D209,329 S *	11/1967	Coderre	D8/382
D287,097 S *	12/1986	Nelson	D8/382
D427,048 S *	6/2000	Potter et al.	D8/356
D488,054 S *	4/2004	Myers	D8/356
D494,448 S *	8/2004	Perri et al.	D8/356
D587,102 S *	2/2009	Morgan	D8/356

D612,225 S *	3/2010	Forte	D8/356
D635,012 S *	3/2011	Sempliner et al.	D8/356
D638,690 S *	5/2011	Hoek	D8/356
D640,527 S *	6/2011	Hoek	D8/356
D644,501 S *	9/2011	Chen	D8/356
D657,460 S *	4/2012	Uhlenkamp et al.	D24/128

* cited by examiner

Primary Examiner — Cynthia Underwood

(74) *Attorney, Agent, or Firm* — Workman Nydegger

(57) **CLAIM**

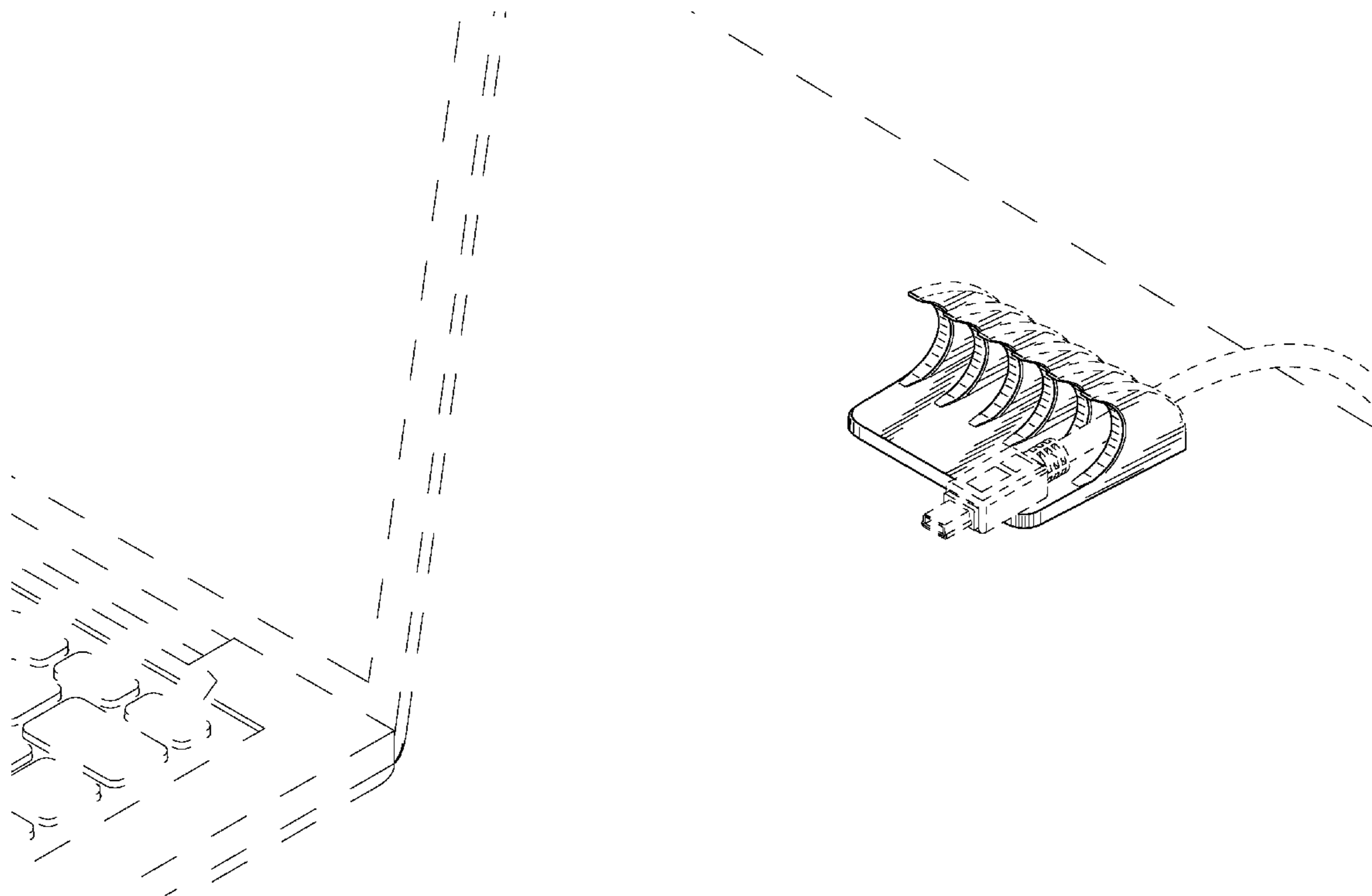
The ornamental design for a cord holder, as shown and described.

DESCRIPTION

FIG. 1 is perspective view of a cord holder showing my new design in environmental use;
FIG. 2 is a perspective view thereof;
FIG. 3 is a top plan view thereof;
FIG. 4 is a right-side elevational view thereof;
FIG. 5 is a left-side elevational view thereof;
FIG. 6 is a front elevational view thereof; and,
FIG. 7 is a rear elevational view thereof.

The broken lines in the drawings are included for illustrative purposes only and form no part of the claimed design.

1 Claim, 5 Drawing Sheets



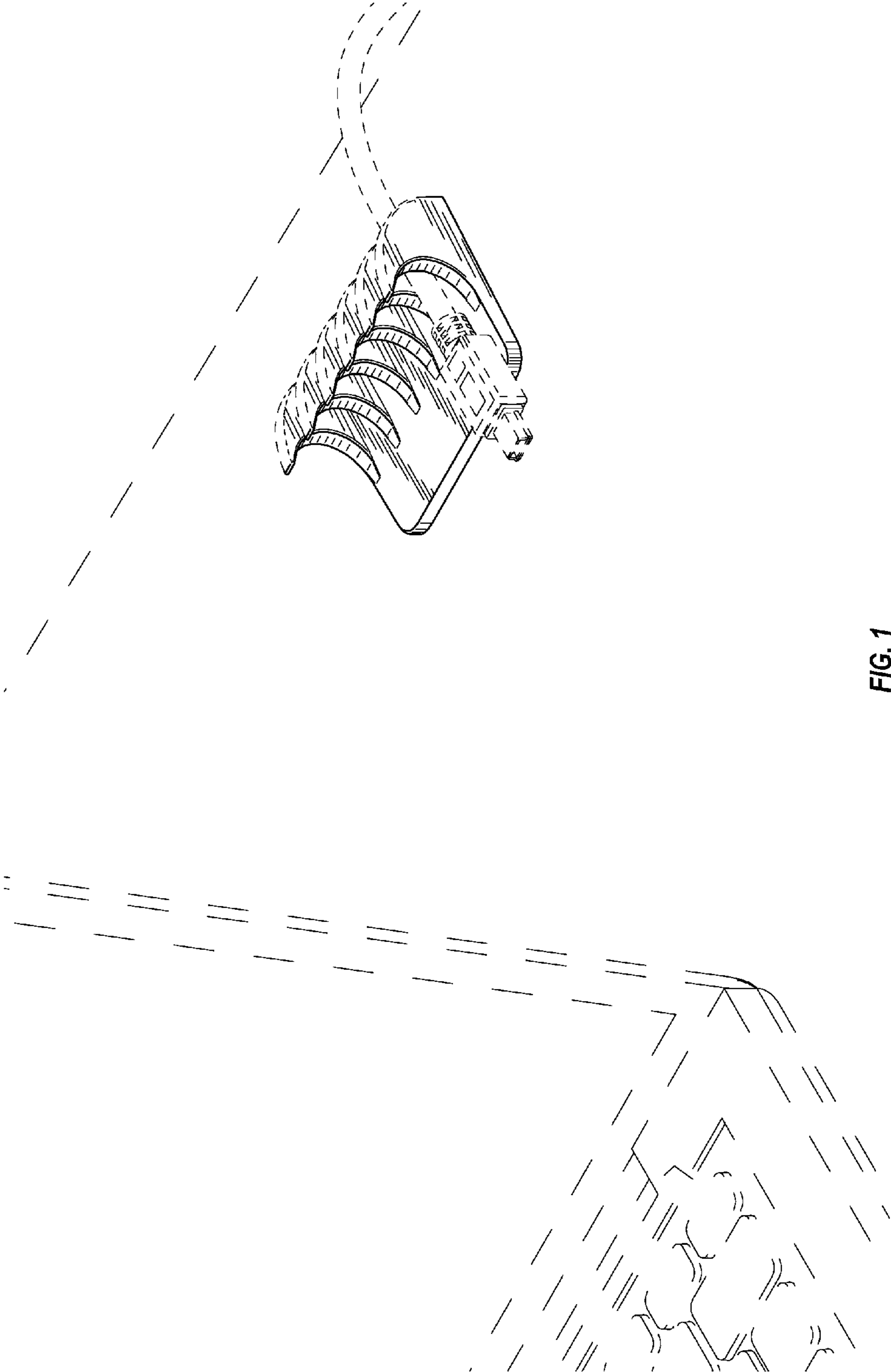


FIG. 1

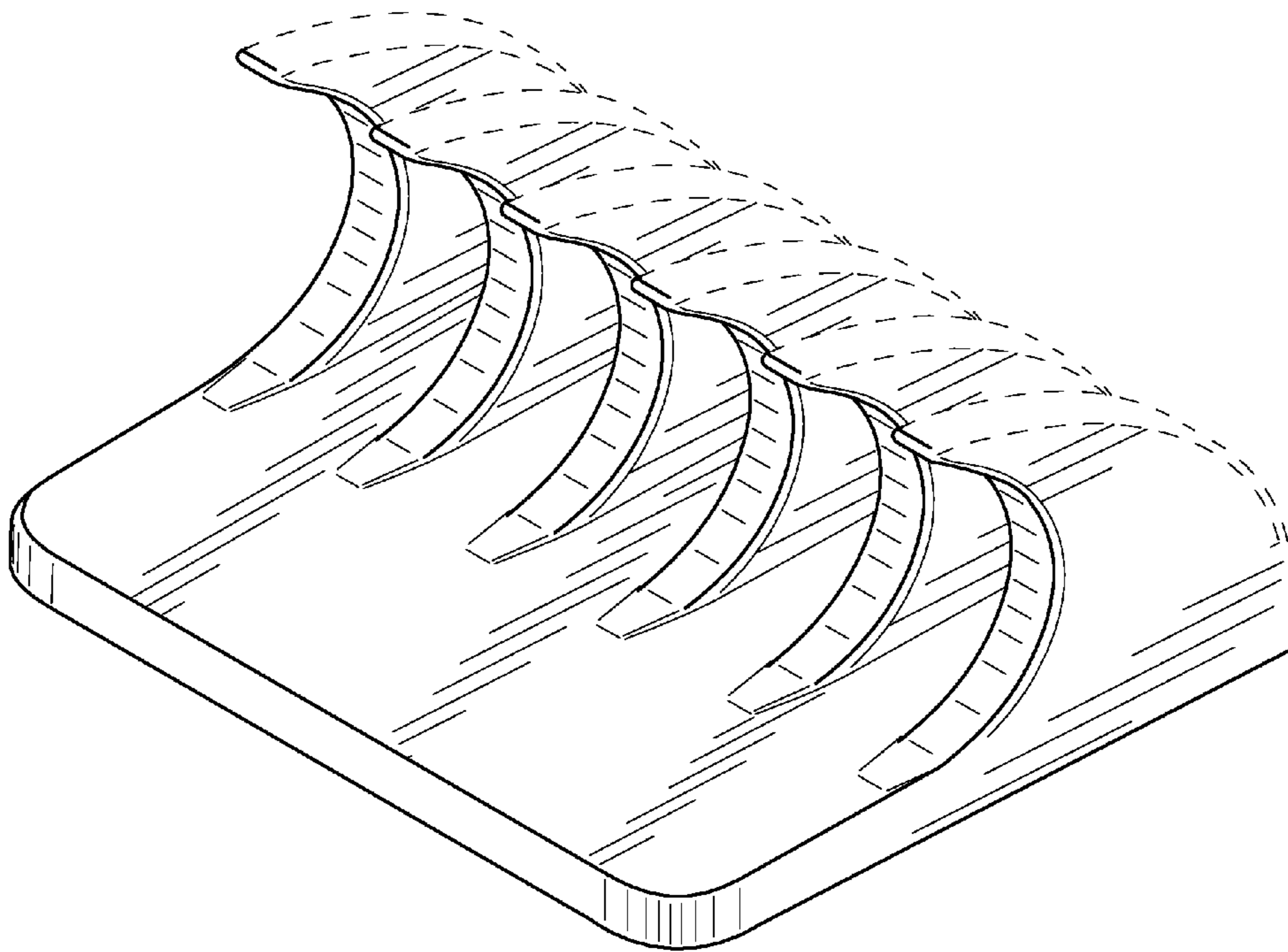


FIG. 2

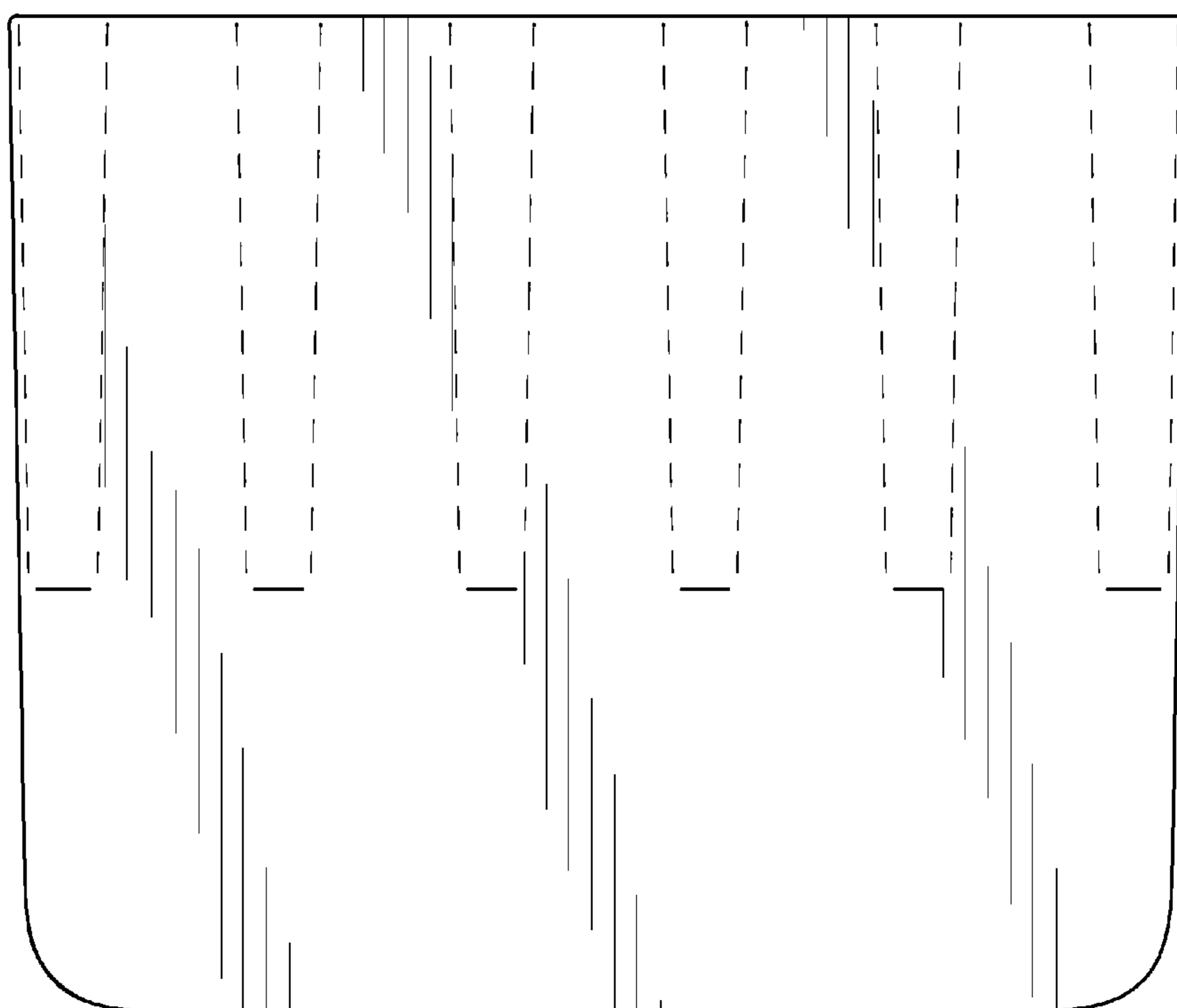


FIG. 3

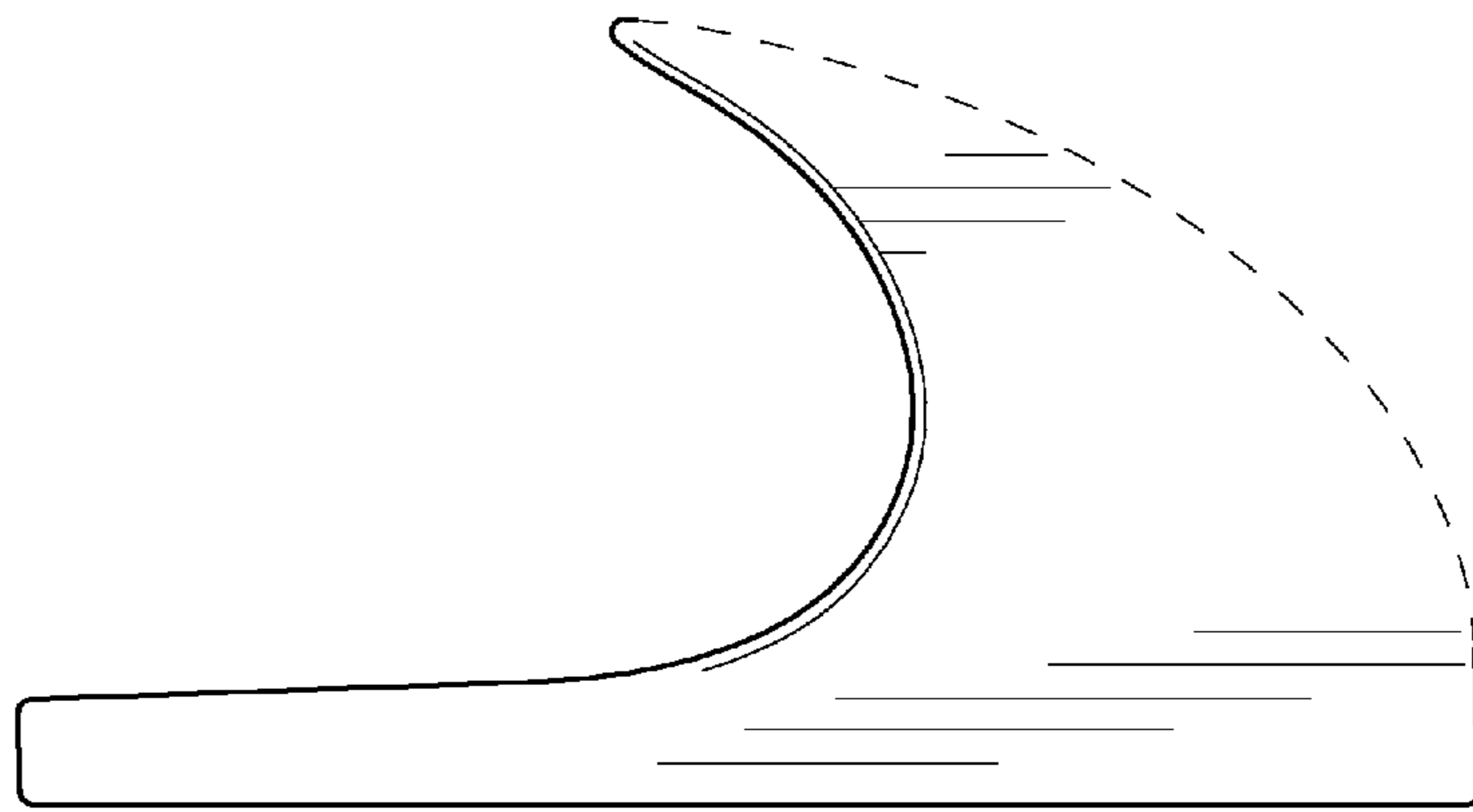


FIG. 4

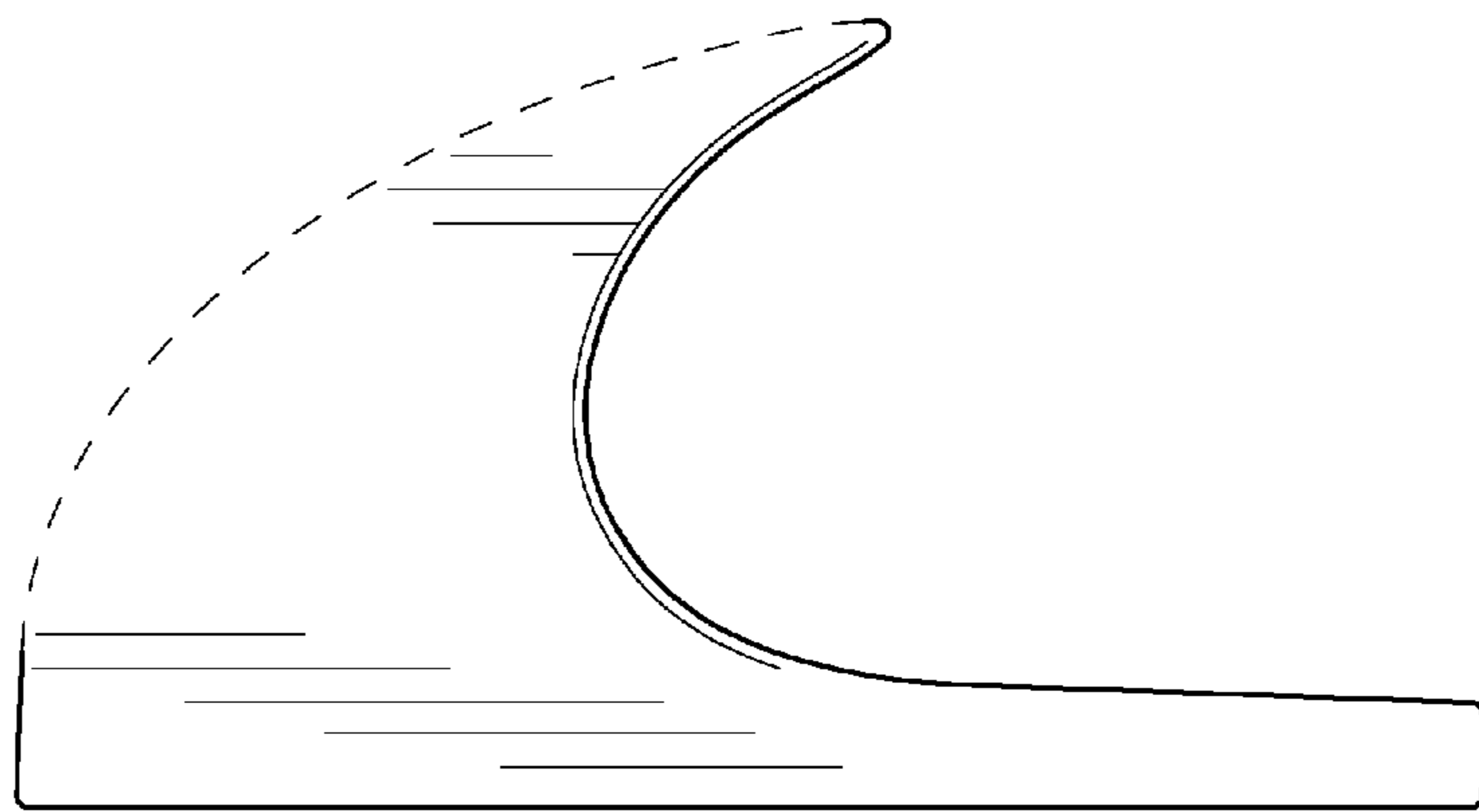


FIG. 5

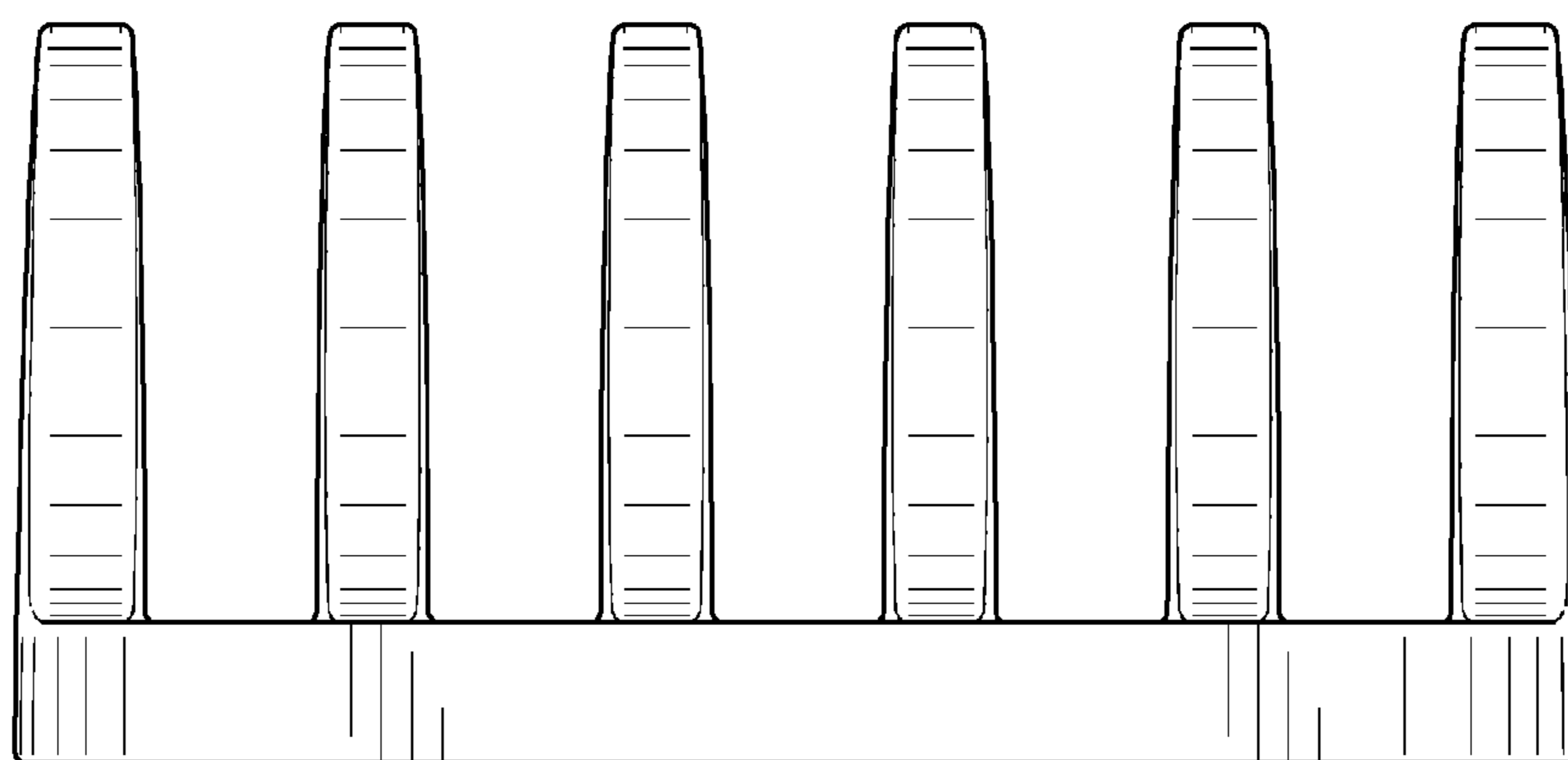


FIG. 6

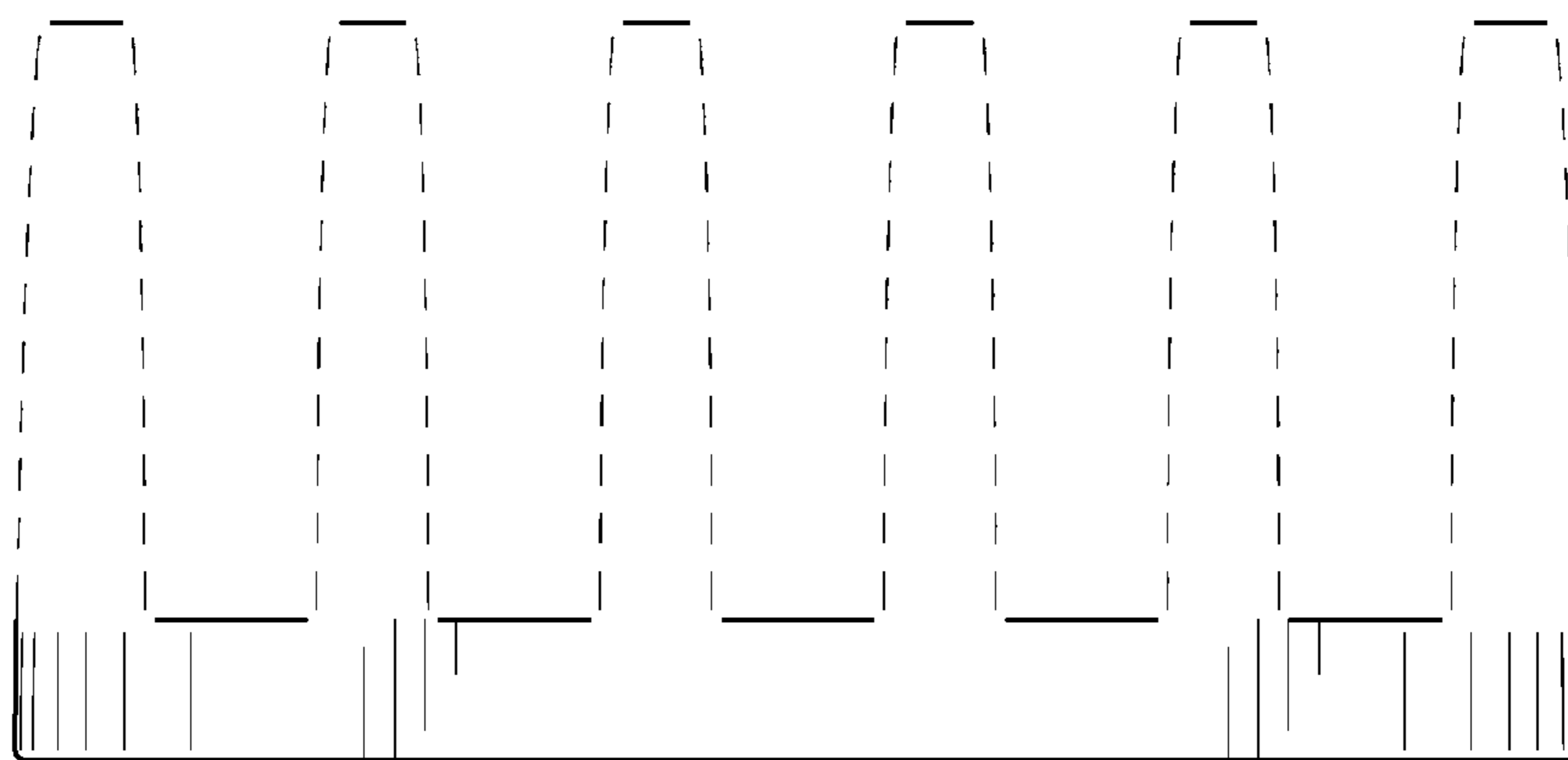


FIG. 7