

US00D668930S

(12) **United States Design Patent**
Tien

(10) **Patent No.:** **US D668,930 S**

(45) **Date of Patent:** **** Oct. 16, 2012**

(54) **END CAP FOR A TOUCH BAR FOR A
PASSAGEWAY DOOR LOCK**

D526,557 S * 8/2006 Falconer et al. D8/346
D541,633 S 5/2007 Austin et al. D8/346
D623,499 S 9/2010 Tien D8/346

(75) Inventor: **Hung-Jen Tien**, Tainan (TW)

OTHER PUBLICATIONS

(73) Assignee: **I-Tek Metal Mfg. Co. Ltd.**, Tainan (TW)

Trademark Registration No. 3,753,843 Registered Mar. 2, 2010.
Trademark Registration No. 3,795,460 Registered Jun. 1, 2010.
Von Duprin Parts Manual 98/99 Series Rim Exit Devices (F).
Stanley Exit Devices Apex 2000 Series (G).
Von Duprin XP 98/99 Rim Exit Device (D-1).
Von Duprin 98/99 Series Exit Devices (D-3).
Von Duprin 98/99 Series Exit Devices (D-2.1).
Von Duprin print advertisements in magazines, including *American School and University, Buildings, Architectural Product, Construction Specifier and Doors & Hardware* (C).

(**) Term: **14 Years**

(21) Appl. No.: **29/401,863**

(22) Filed: **Sep. 16, 2011**

(51) **LOC (9) Cl.** **08-07**

(52) **U.S. Cl.** **D8/343**

(58) **Field of Classification Search** D8/330,
D8/331, 300-302, 336, 339, 343, 346, 340,
D8/400; 70/14, 51, 57.1, 91, 92, 94, 107,
70/136, 141, 142, 158, 224, 465, DIG. 31,
70/DIG. 80; 292/92, 21, 336.3, 289, 290
See application file for complete search history.

* cited by examiner

Primary Examiner — Prabhakar Deshmukh

(56) **References Cited**

(74) *Attorney, Agent, or Firm* — Alan Kamrath; Kamrath IP Lawfirm, PA

U.S. PATENT DOCUMENTS

| | | | | | |
|-----------|-----|---------|------------------|-------|-----------|
| 3,614,145 | A * | 10/1971 | Zawadzki | | 292/92 |
| 4,167,280 | A * | 9/1979 | Godec et al. | | 292/92 |
| 4,305,612 | A * | 12/1981 | Hunt et al. | | 292/336.3 |
| 4,427,223 | A | 1/1984 | Godec et al. | | 292/92 |
| 4,978,151 | A * | 12/1990 | Coleman et al. | | 292/21 |
| 5,011,199 | A * | 4/1991 | Lowe et al. | | 292/92 |
| 5,035,450 | A * | 7/1991 | Muller | | 292/92 |
| 5,067,757 | A | 11/1991 | Cohrs et al. | | 292/336.3 |
| 5,085,475 | A * | 2/1992 | Austin et al. | | 292/92 |
| 5,169,185 | A * | 12/1992 | Slaybaugh et al. | | 292/92 |
| D337,715 | S * | 7/1993 | Rutherford | | D8/346 |
| 5,412,961 | A | 5/1995 | Cain et al. | | 70/92 |
| 5,494,176 | A * | 2/1996 | Zallo | | 211/70.7 |
| 5,927,765 | A | 7/1999 | Austin et al. | | 292/92 |
| D430,786 | S * | 9/2000 | Hickman et al. | | D8/321 |
| D496,577 | S * | 9/2004 | Cohrs et al. | | D8/321 |

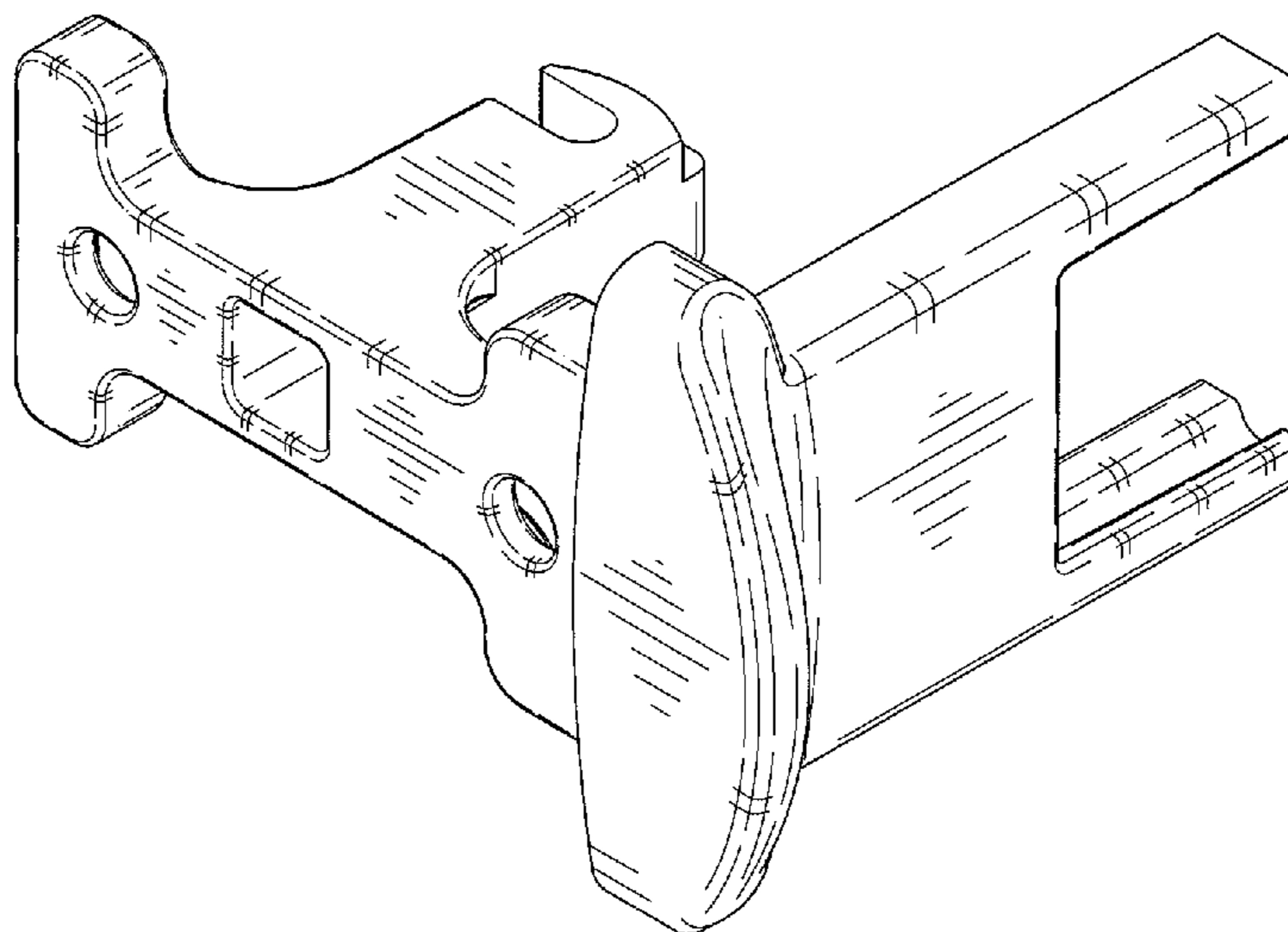
(57) **CLAIM**

The ornamental design for an end cap for a touch bar for a passageway door lock, as shown and described.

DESCRIPTION

FIG. 1 is a perspective view of an end cap for a touch bar for a passageway door lock showing my design; FIG. 2 is a front elevational view thereof; FIG. 3 is a rear elevational view thereof; FIG. 4 is a left elevational view thereof; FIG. 5 is a right elevational view thereof; FIG. 6 is a top plan view thereof; and FIG. 7 is a bottom plan view thereof; and, FIG. 8 is a perspective view illustrating a passageway door lock including a touch bar with the end cap, the phantom lines being for illustrative purposes only and forming no part of the claimed design.

1 Claim, 8 Drawing Sheets



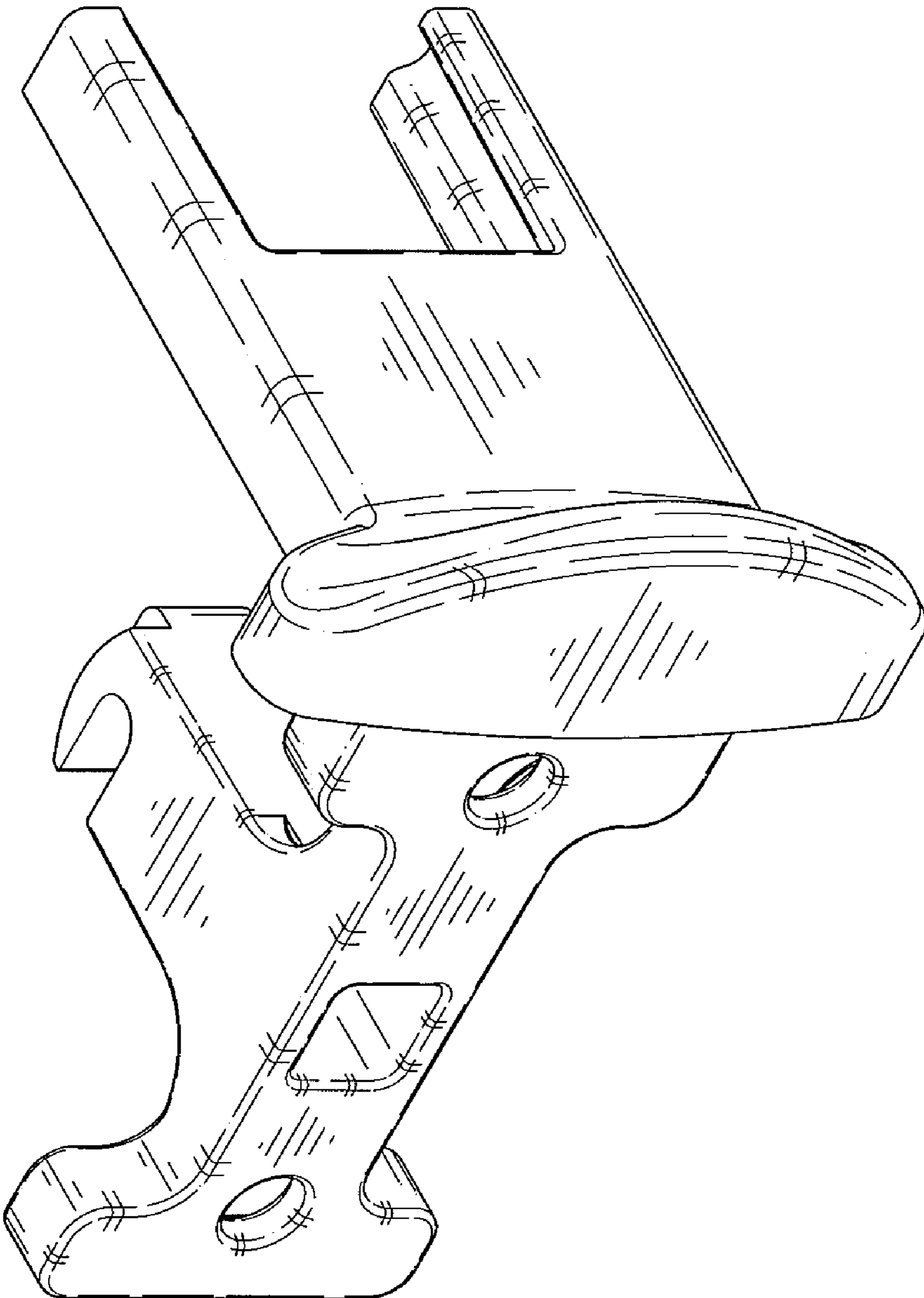


FIG.1

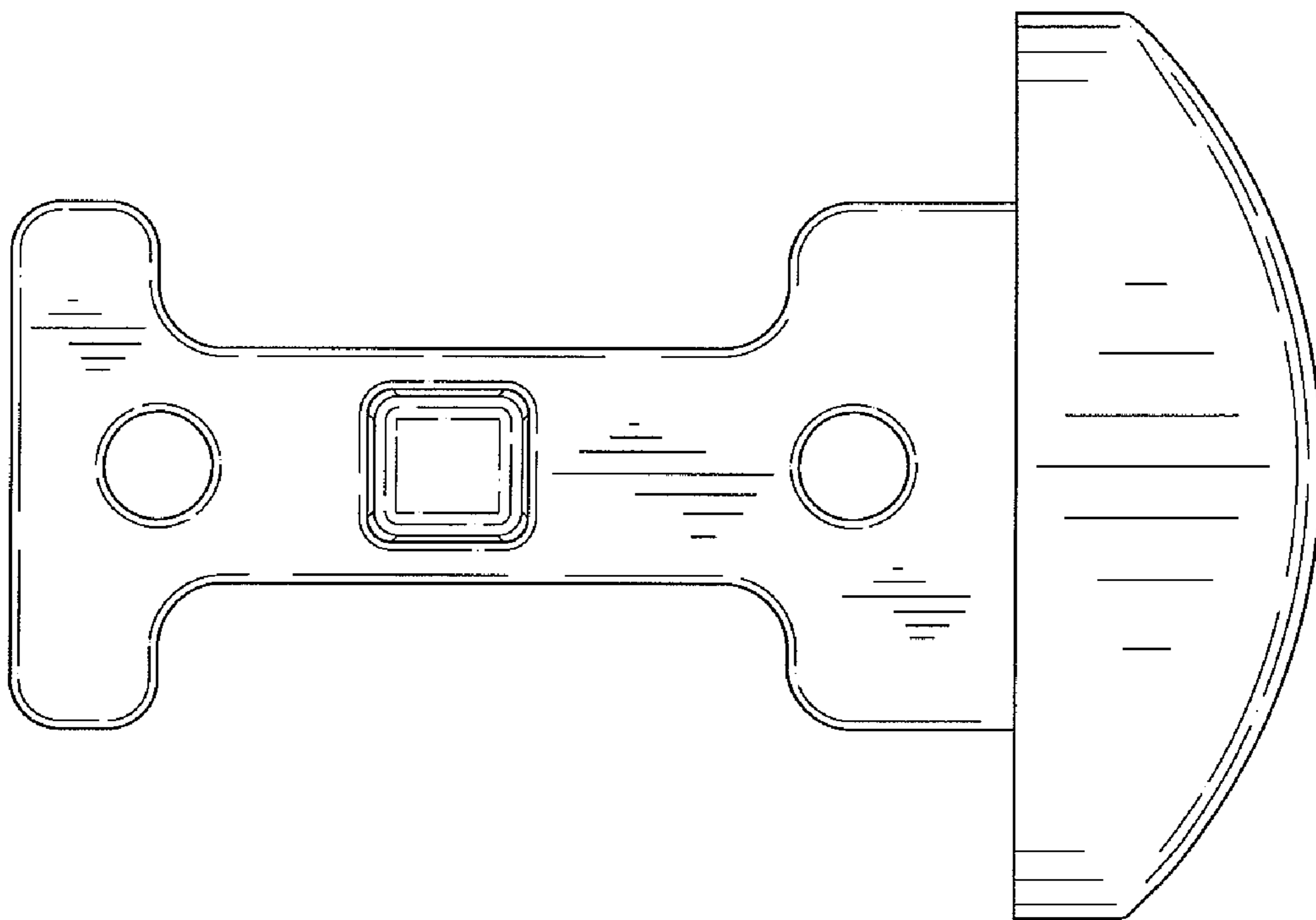


FIG. 2

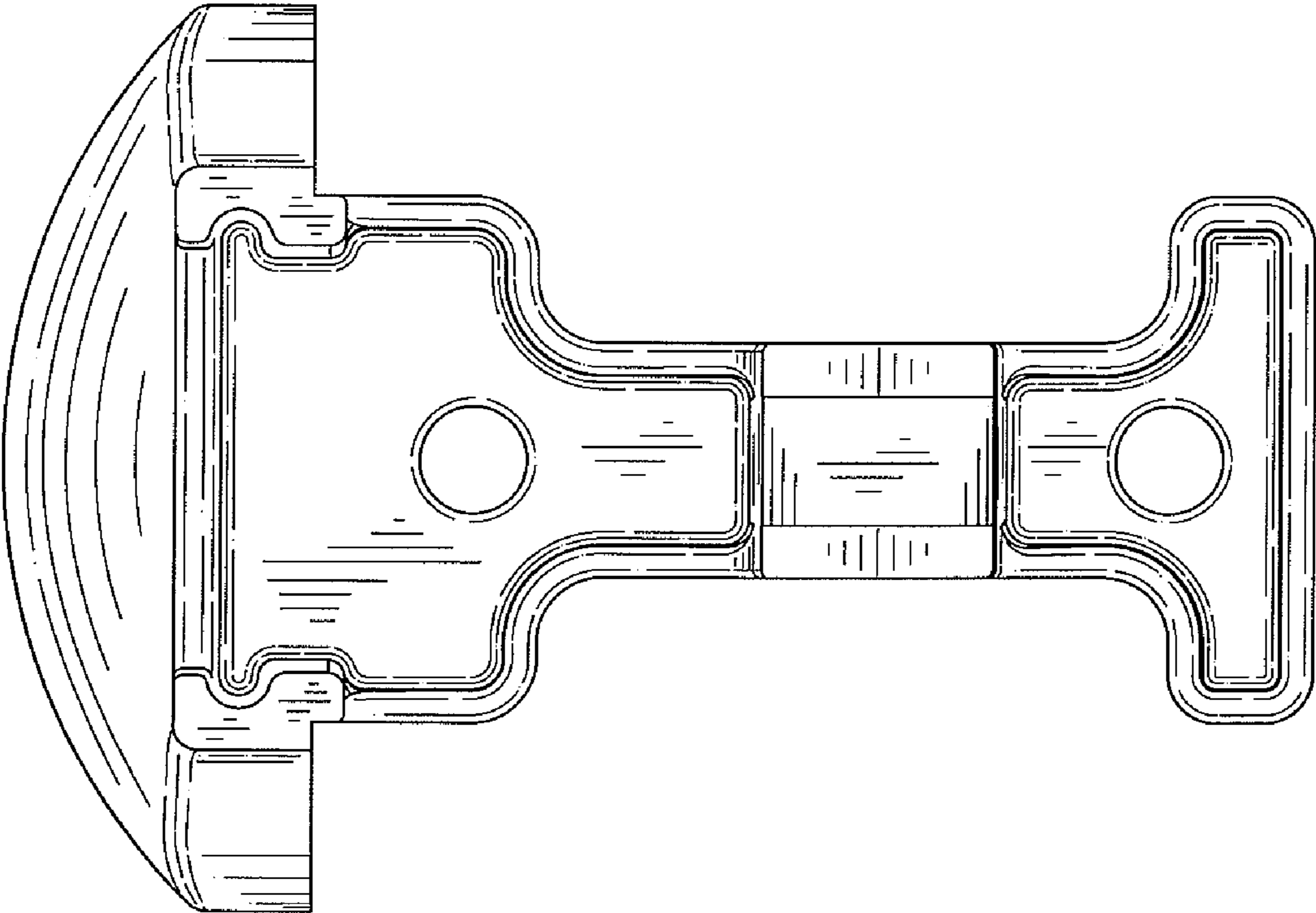


FIG. 3

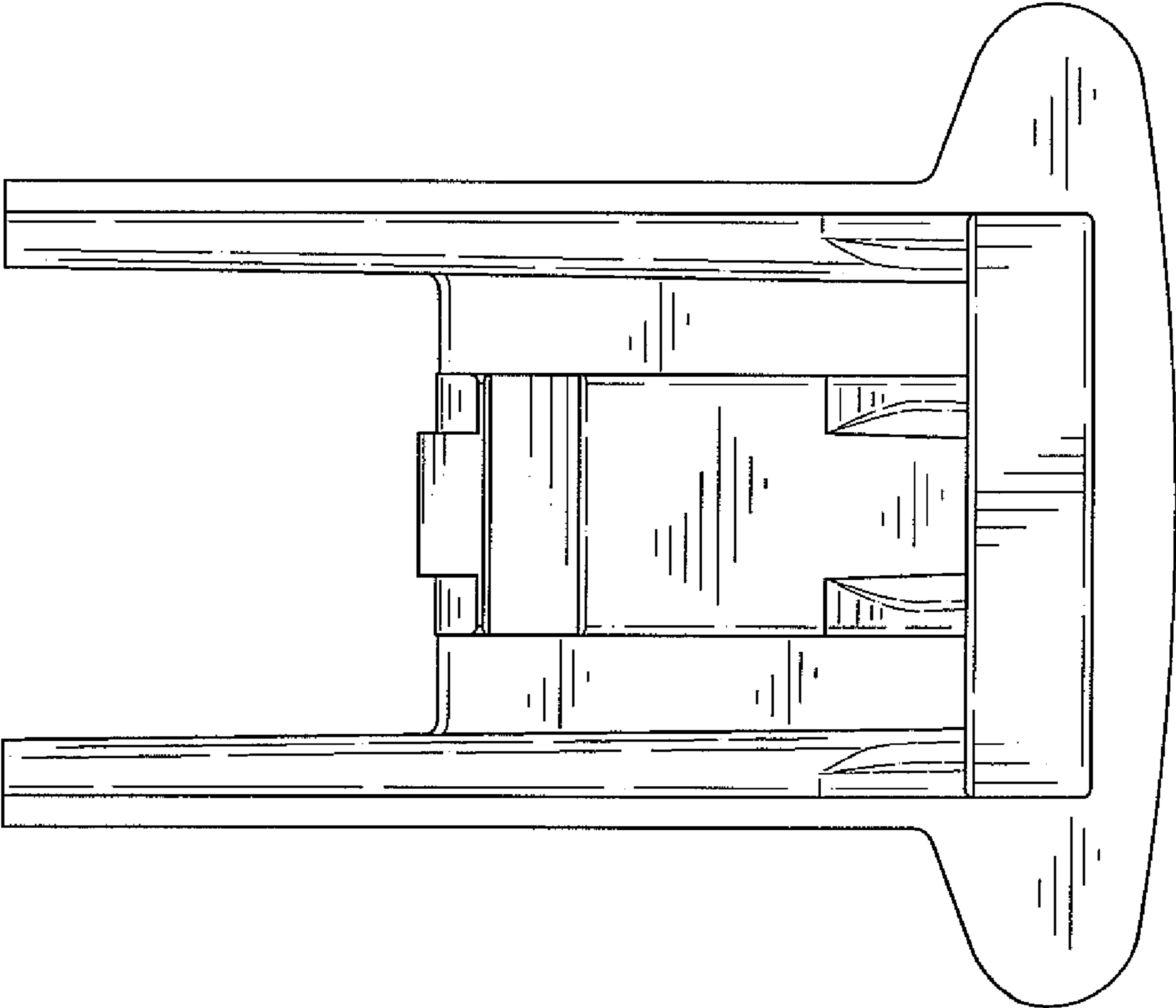


FIG. 4

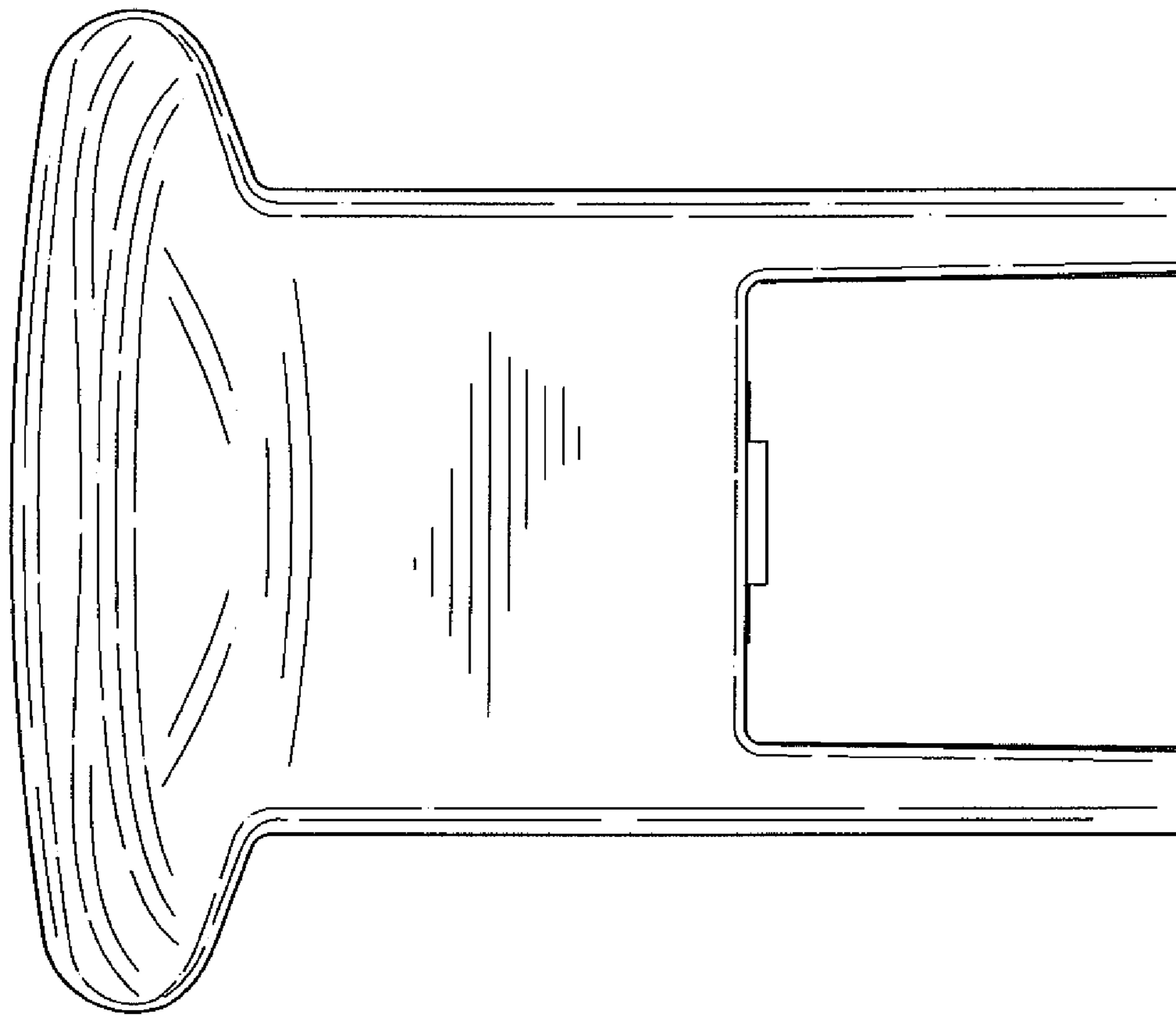


FIG.5

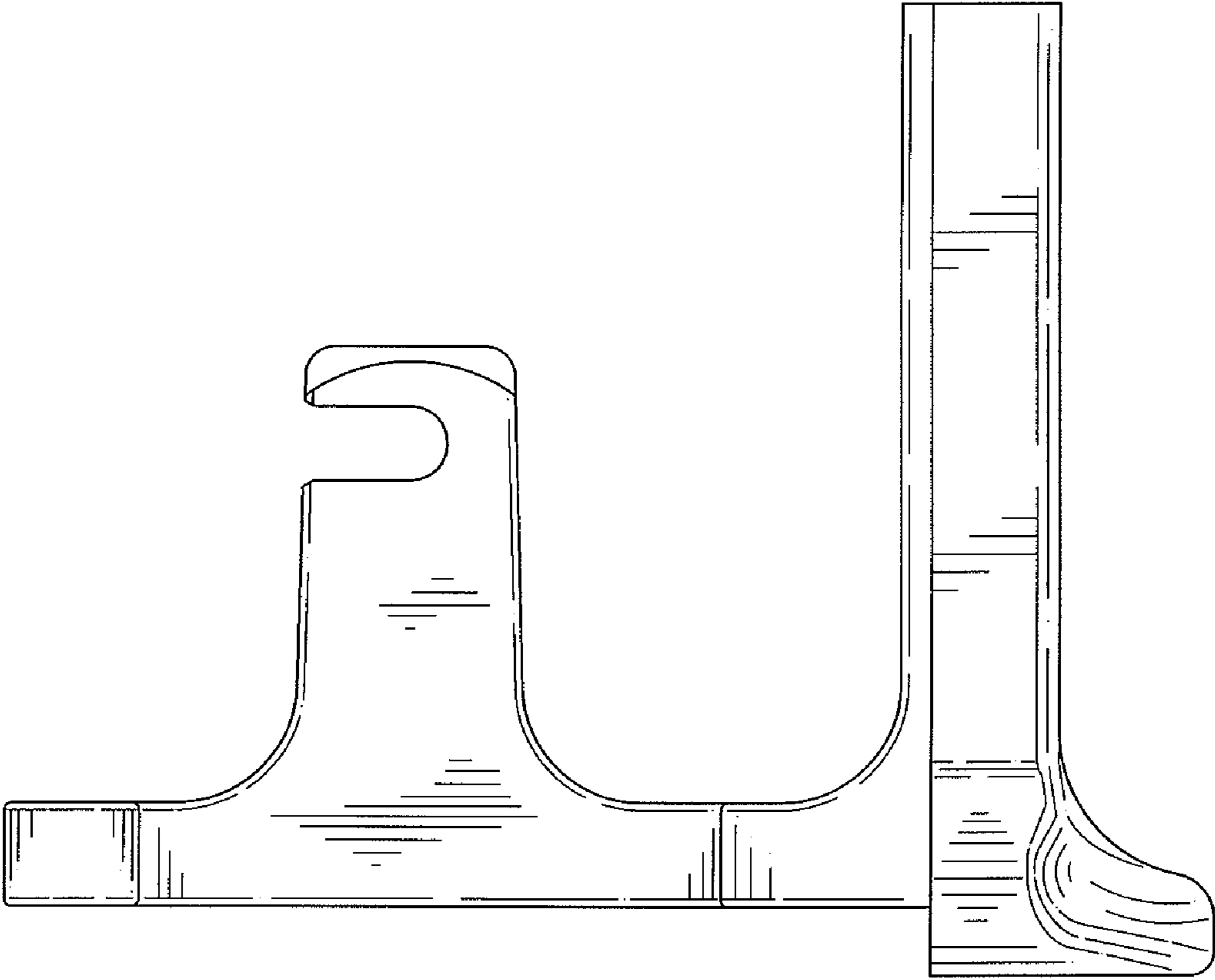


FIG.6

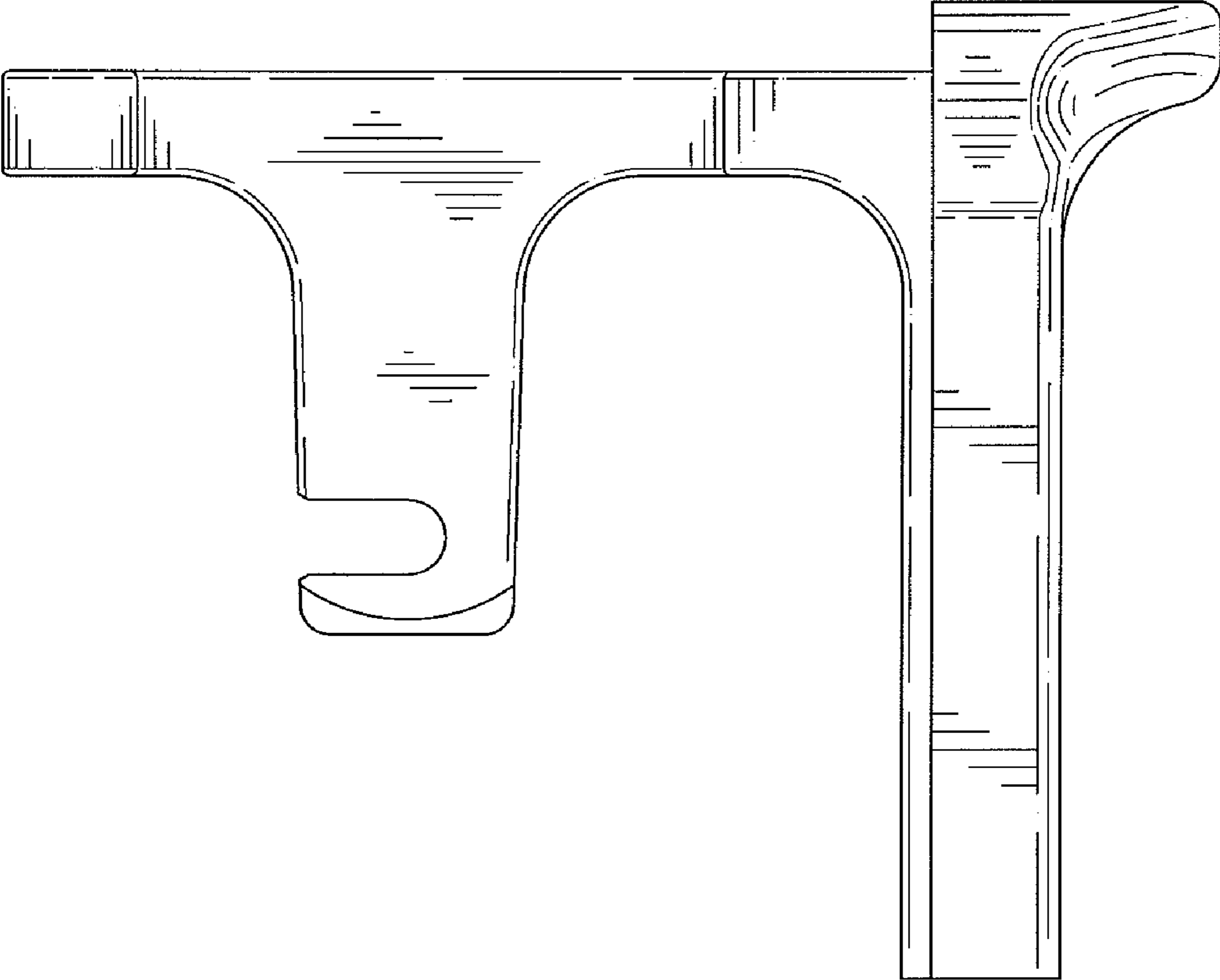


FIG.7

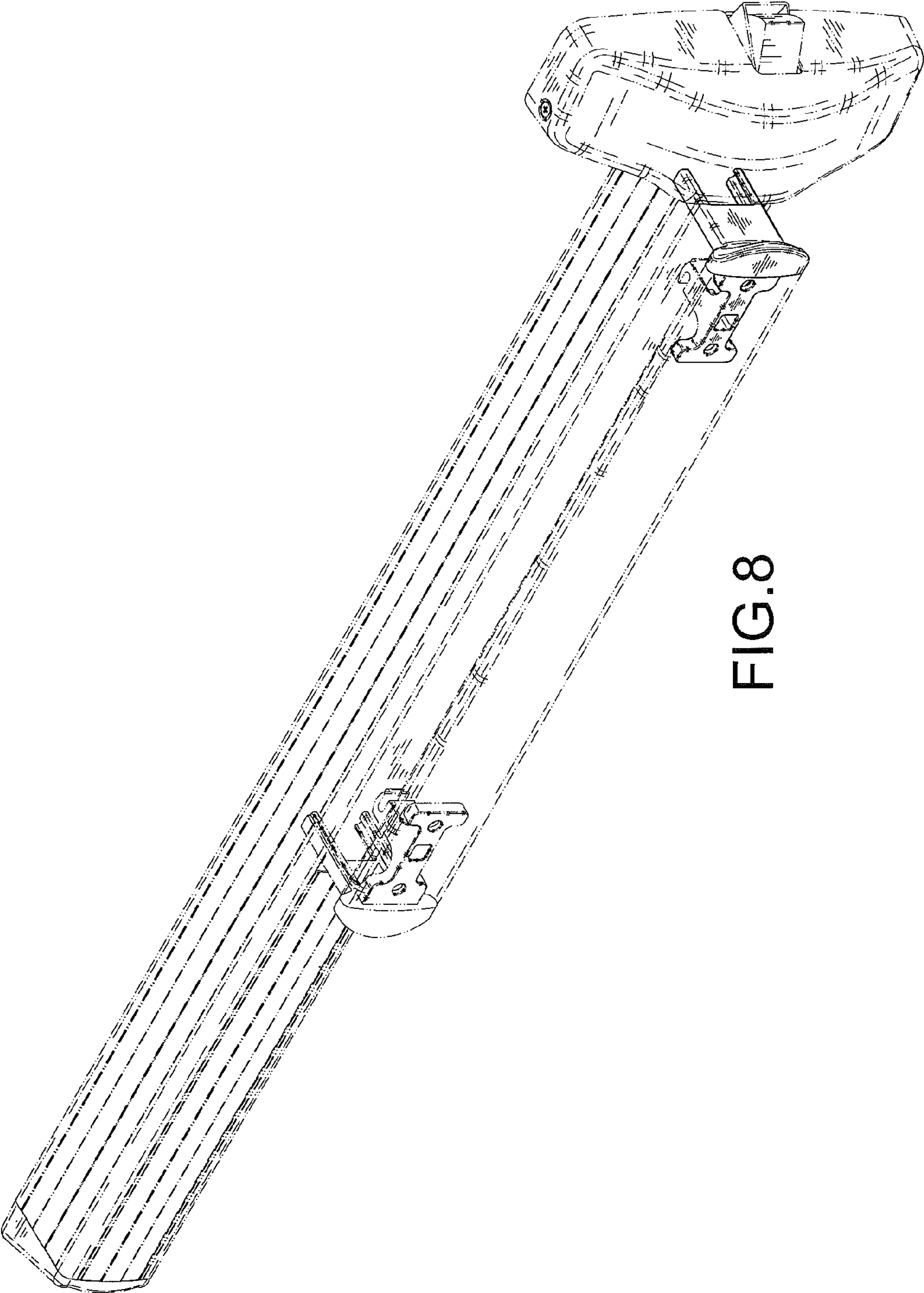


FIG.8