

US00D668926S

(12) **United States Design Patent**
Robinson et al.

(10) **Patent No.:** **US D668,926 S**

(45) **Date of Patent:** **** Oct. 16, 2012**

(54) **TOOL HANDLE**

(75) Inventors: **Glenn Robinson**, Parkland, FL (US);
Joseph Deguglimo, Boca Raton, FL
(US)

(73) Assignee: **IBT Holdings, LLC**, Deerfield Beach,
FL (US)

(**) Term: **14 Years**

(21) Appl. No.: **29/395,209**

(22) Filed: **Dec. 19, 2011**

(51) **LOC (9) Cl.** **08-04**

(52) **U.S. Cl.** **D8/83**

(58) **Field of Classification Search** D8/21,
D8/25, 29, 82-87, 107, 300, 310, 312-314;
81/52, 177.1-177.4, 177.7, 489-491

See application file for complete search history.

(56) **References Cited**

U.S. PATENT DOCUMENTS

D233,406 S *	10/1974	Whiteford	D8/82
D248,537 S *	7/1978	Smith	D8/82
D384,572 S *	10/1997	Ongaro	D8/312
D410,371 S *	6/1999	Sheu	D8/82
D418,388 S *	1/2000	O'Neil	D8/312
D497,668 S *	10/2004	Bogazzi	D24/133
D563,190 S *	3/2008	Lee et al.	D8/101
D564,333 S *	3/2008	McConnell	D8/312
D580,737 S *	11/2008	Singtoroj	D8/312

D600,997 S *	9/2009	McConnell	D8/310
D611,513 S *	3/2010	Coburn	D15/140
D657,214 S *	4/2012	Chen	D8/25

* cited by examiner

Primary Examiner — Philip S Hyder

Assistant Examiner — Roselynn Cody

(74) *Attorney, Agent, or Firm* — Dan DeLaRosa

(57) **CLAIM**

The ornamental design for a tool handle, as shown and described.

DESCRIPTION

FIG. 1 is a front perspective view of the tool handle of the present invention showing my new design in a closed position;

FIG. 2 is a front elevational view thereof;

FIG. 3 is a back elevational view thereof;

FIG. 4 is a side elevational view thereof;

FIG. 5 is an opposite side elevational view thereof;

FIG. 6 is a top plan view thereof;

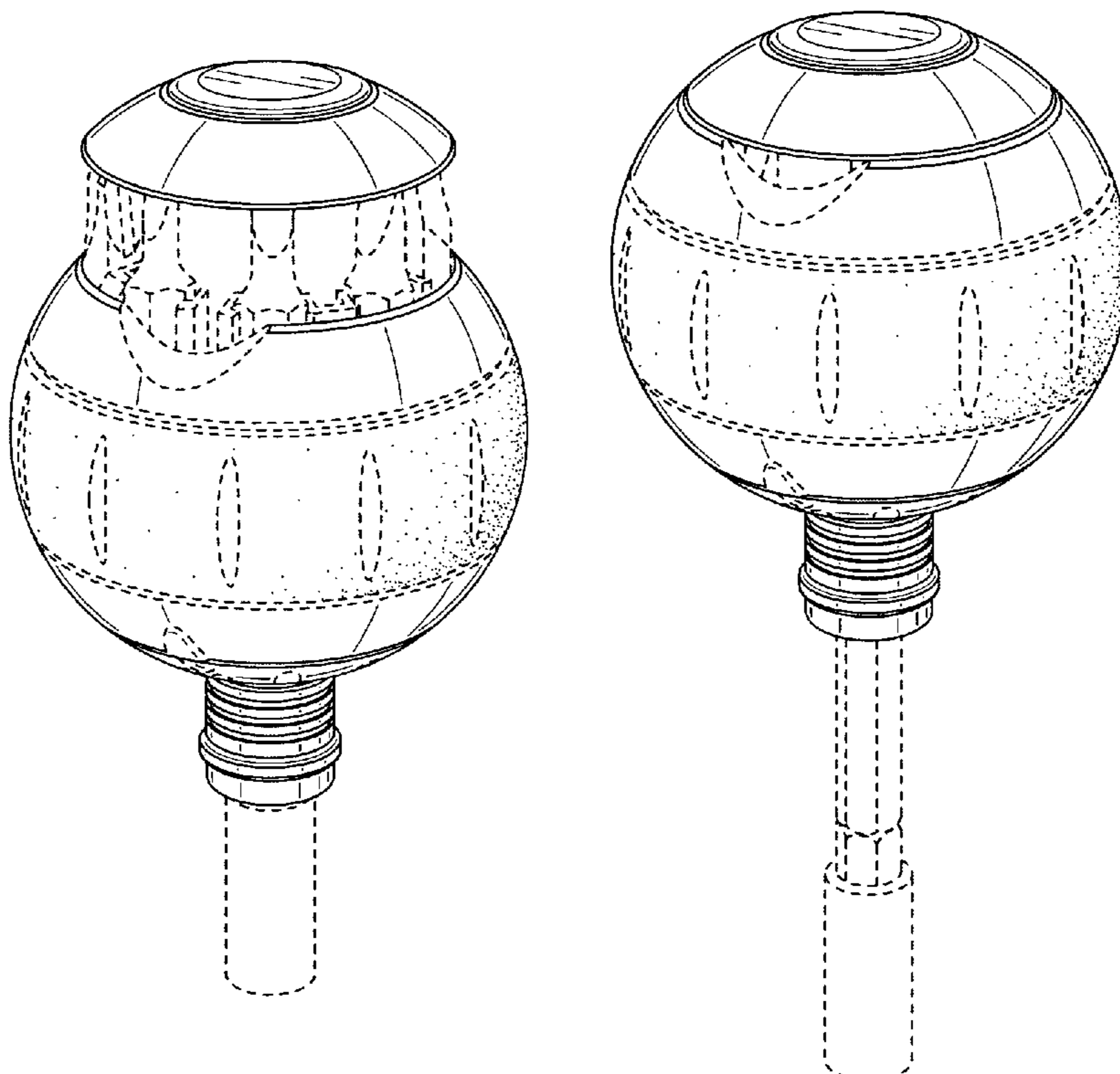
FIG. 7 is a bottom plan view thereof;

FIG. 8 is a front perspective view of the tool handle in an opened position for access to the internal storage; and,

FIG. 9 is a front perspective view of the tool handle showing the movable top in a closed position. In this view, the claimed design is shown with a different environmental element.

The broken lines in the drawings illustrate elements or features that form no part of the claim.

1 Claim, 6 Drawing Sheets



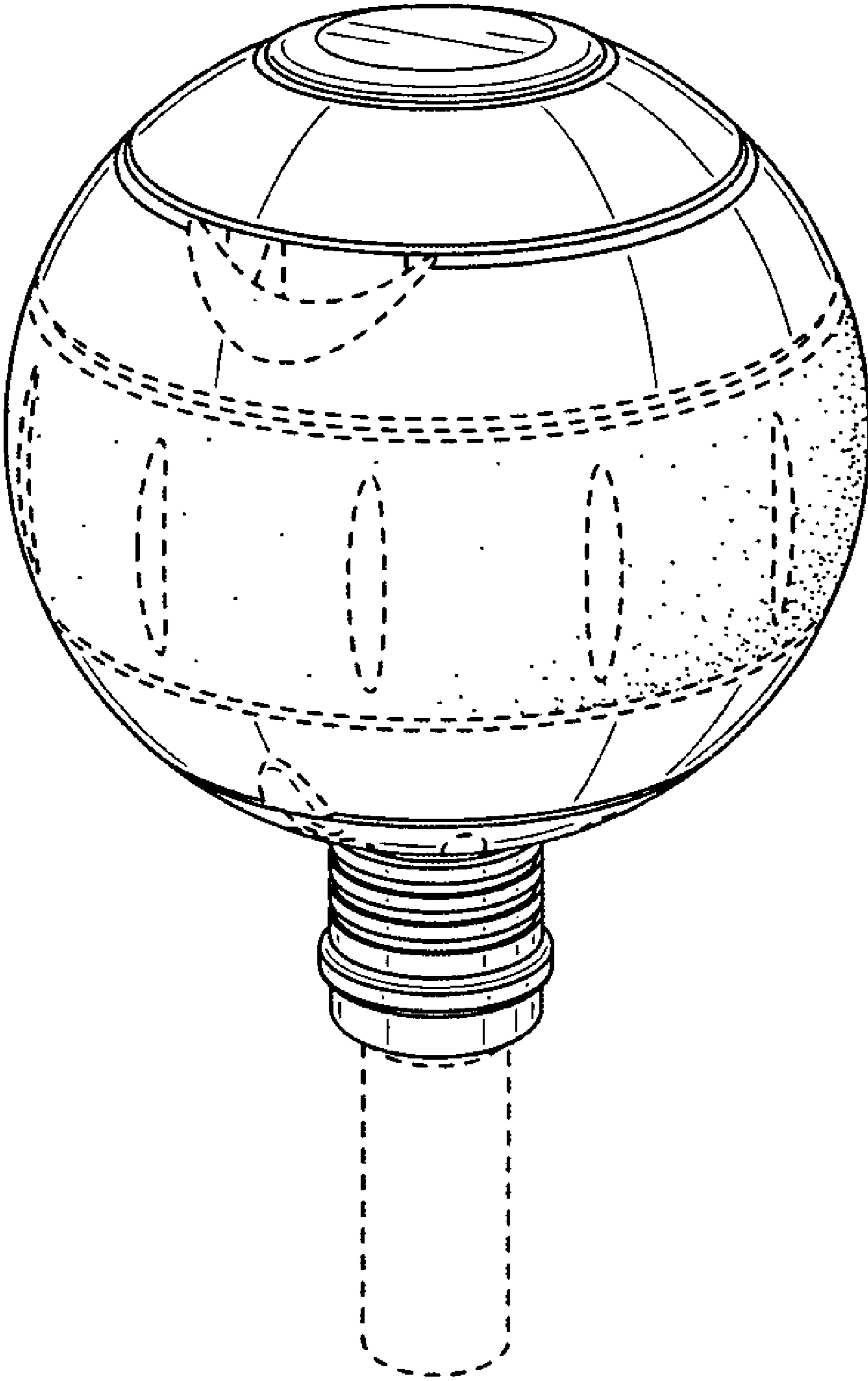


FIG. 1

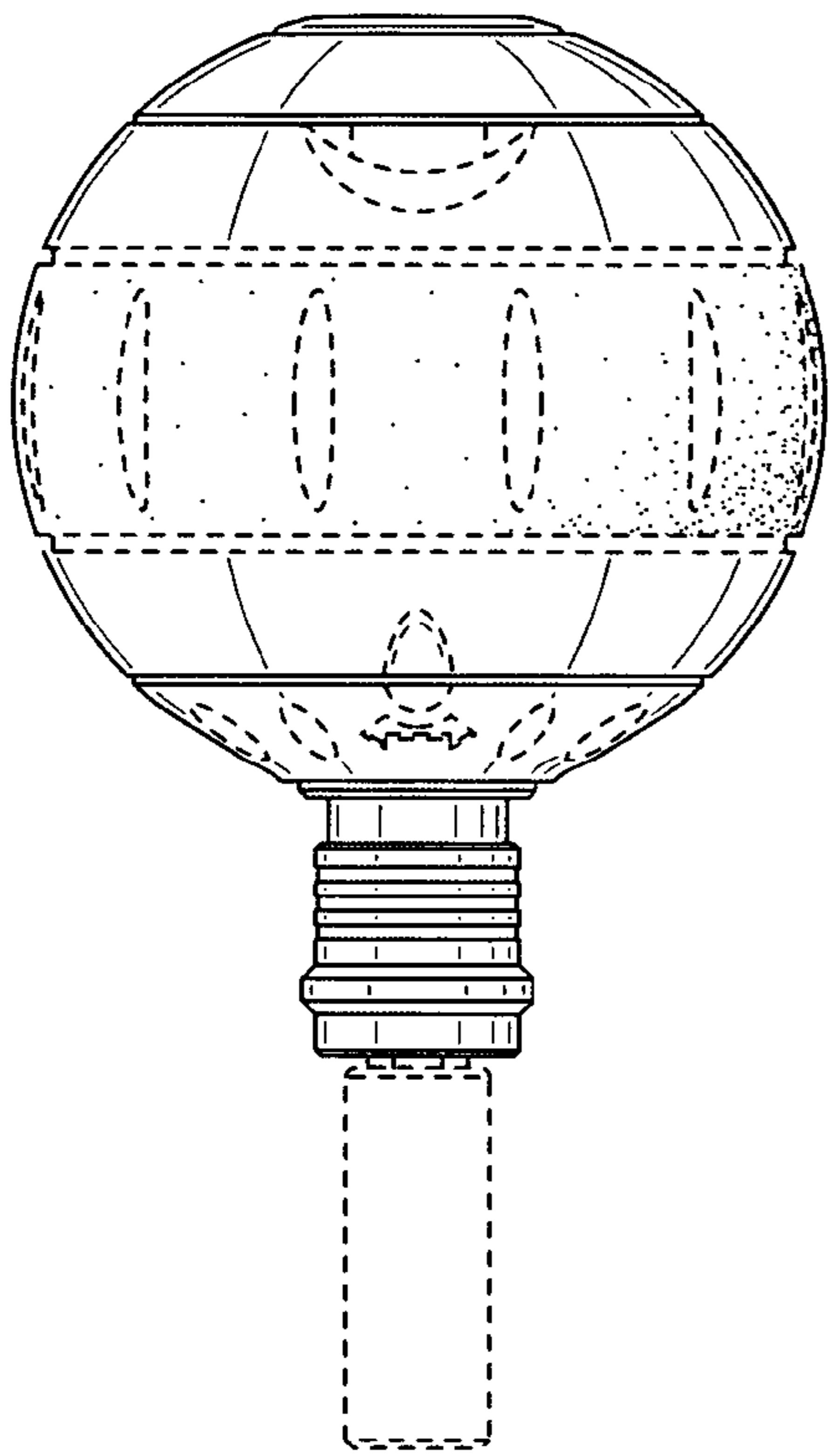


FIG. 2

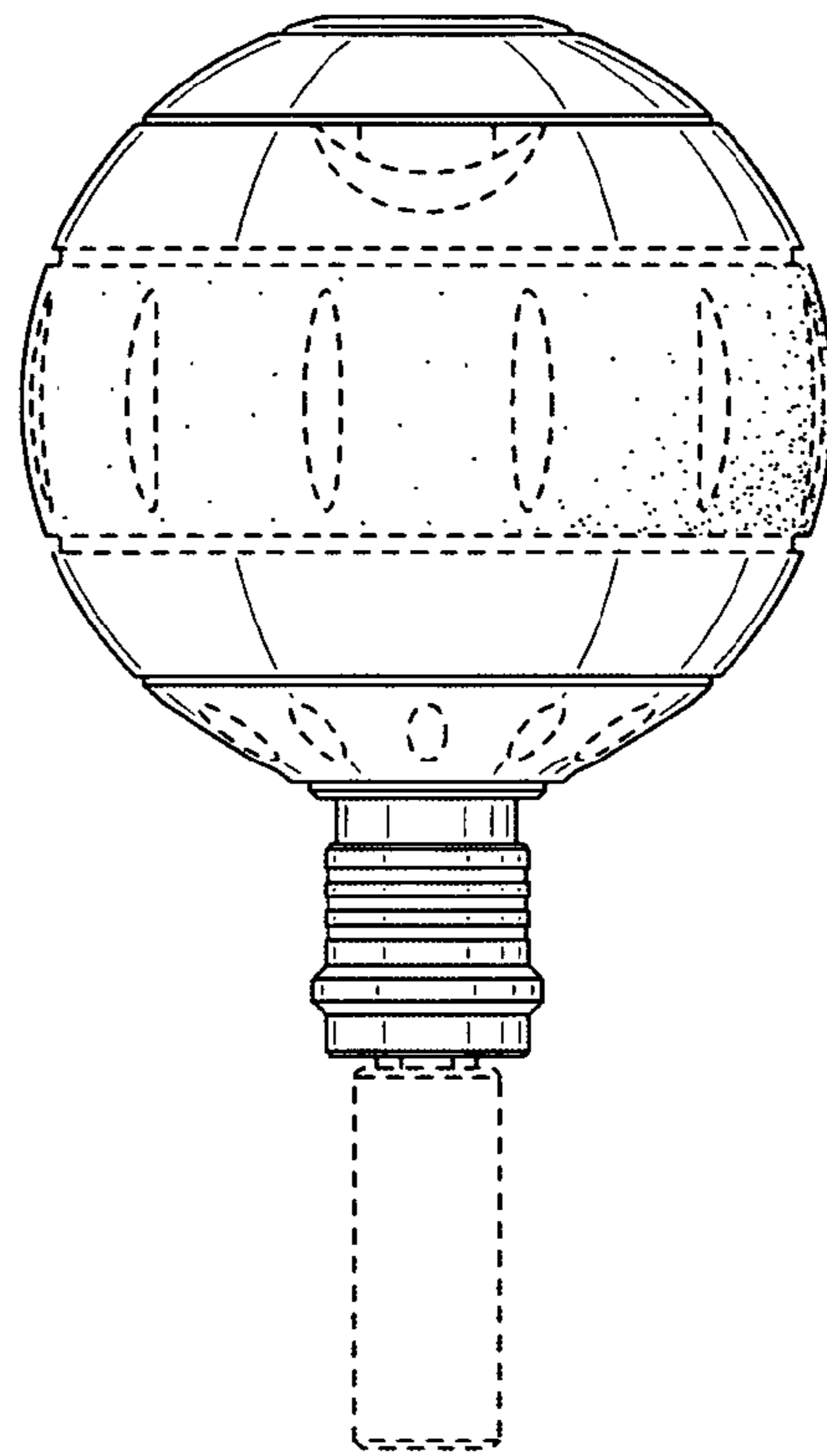


FIG. 3

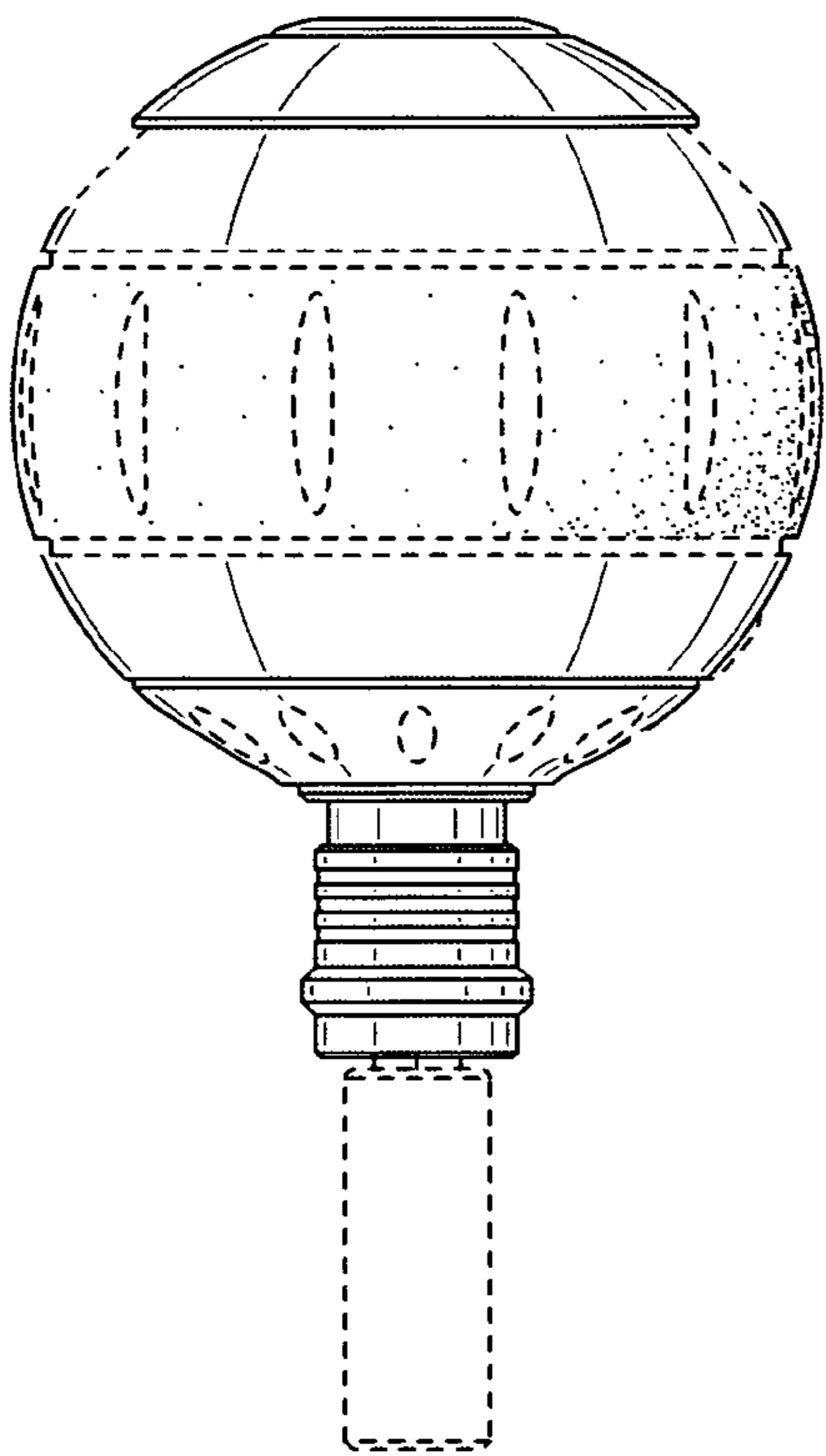


FIG. 4

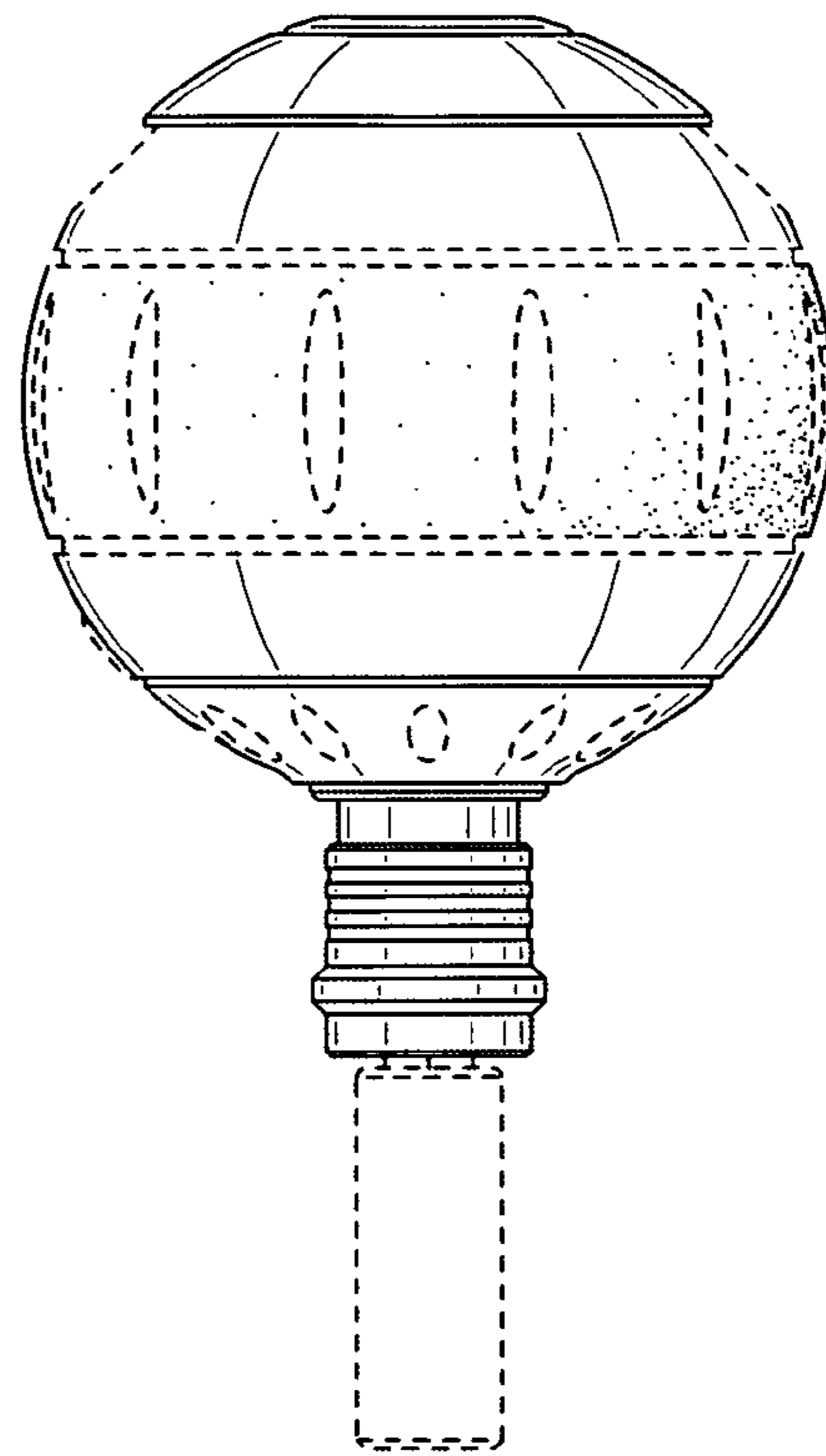


FIG. 5

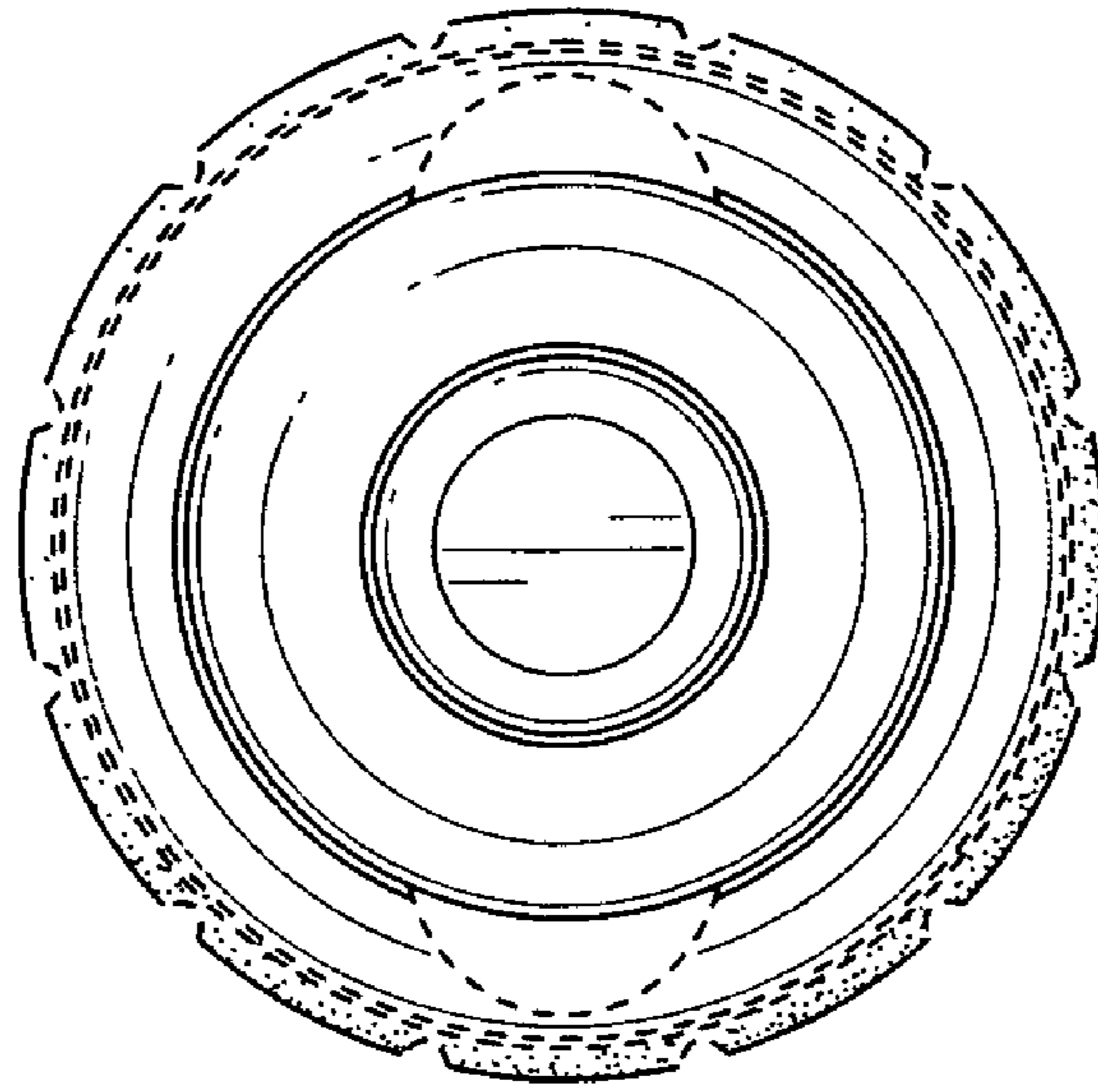


FIG. 6

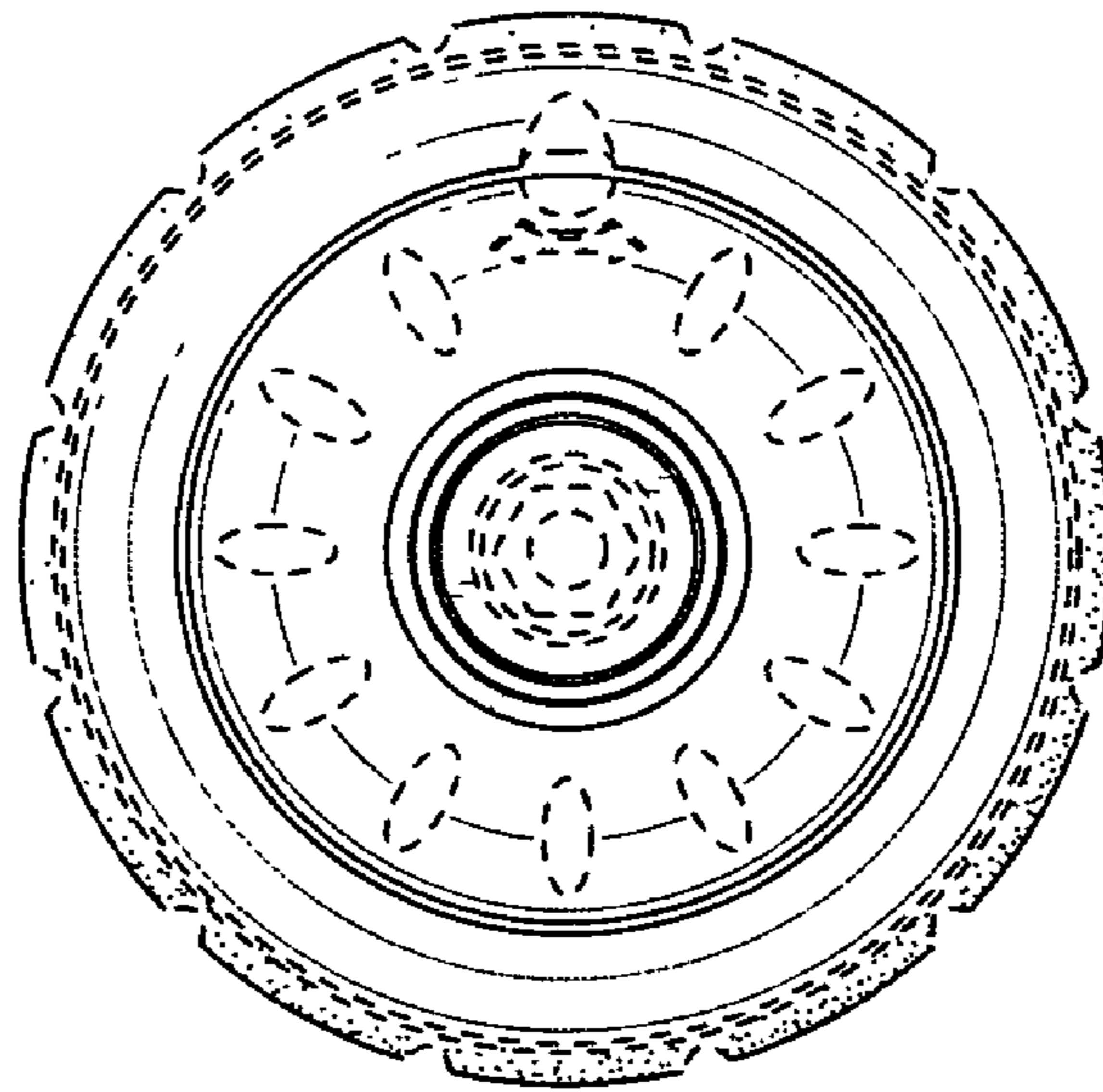


FIG. 7

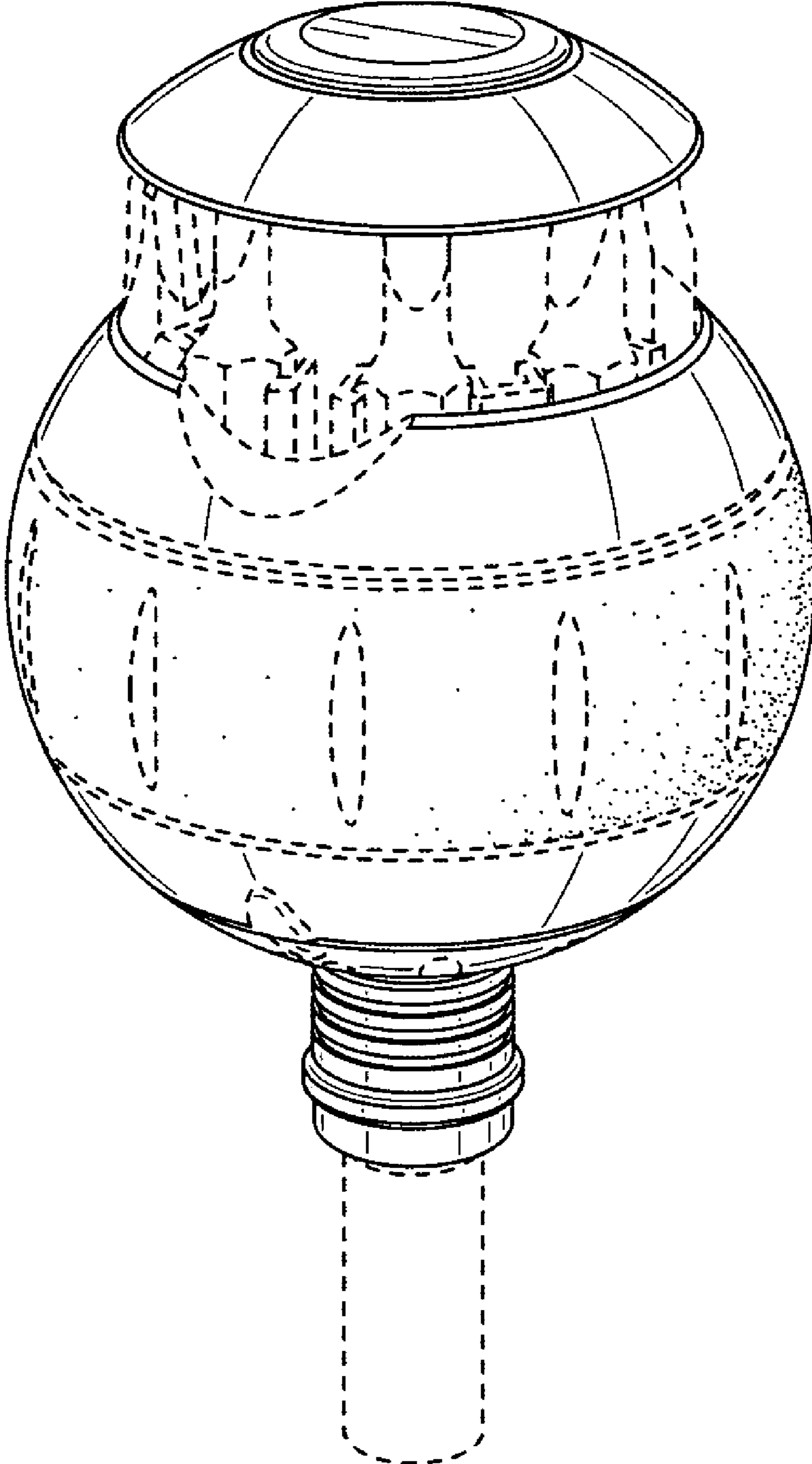


FIG. 8

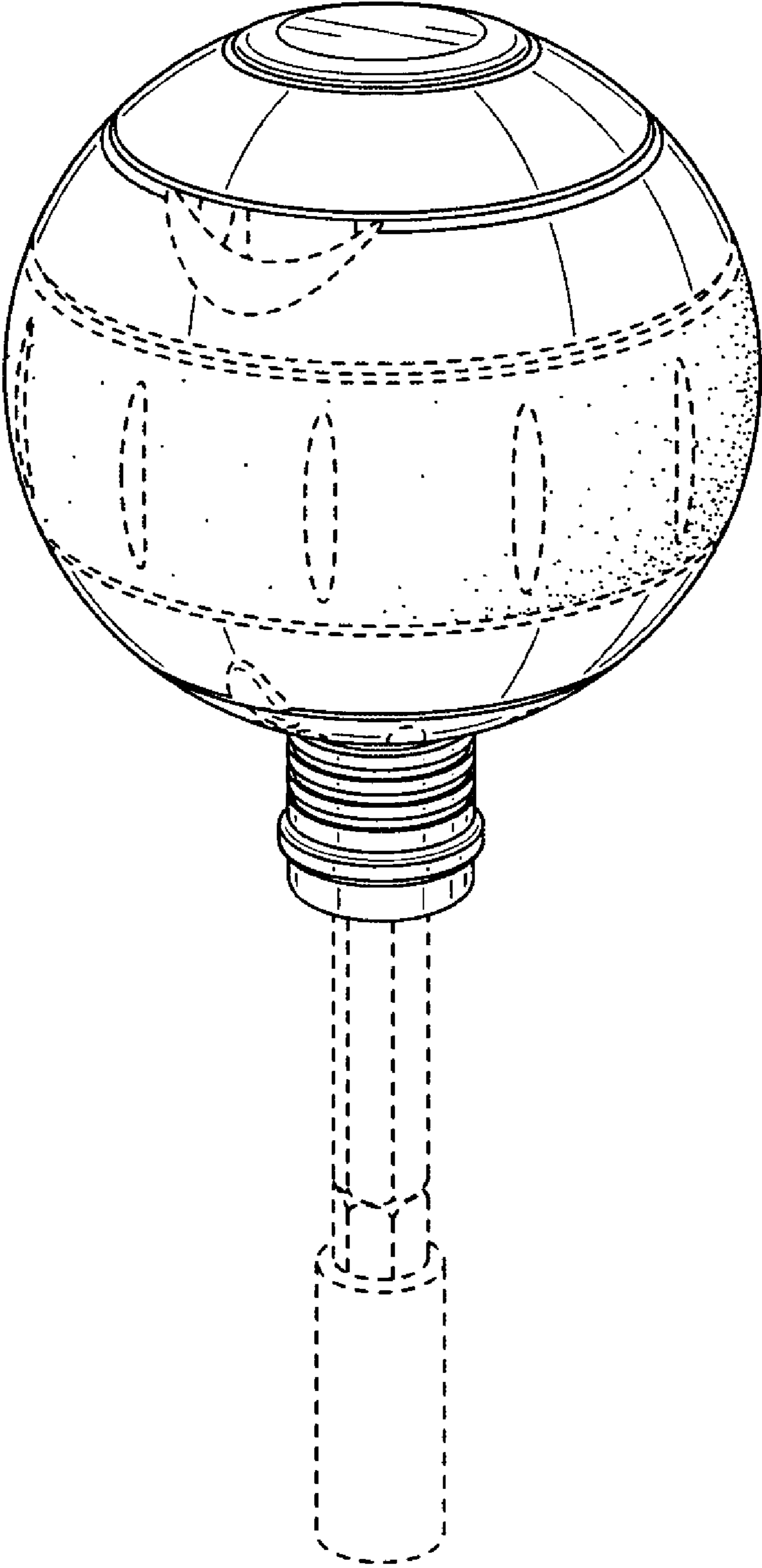


FIG. 9