

US00D668923S

(12) **United States Design Patent**
Tinius

(10) **Patent No.:** **US D668,923 S**

(45) **Date of Patent:** **** Oct. 16, 2012**

(54) **CHAIN SAW**

(75) Inventor: **Michael Tinius**, Ulm (DE)

(73) Assignee: **Andreas Stihl AG & Co. KG**,
Waiblingen (DE)

(**) Term: **14 Years**

(21) Appl. No.: **29/395,653**

(22) Filed: **Feb. 7, 2012**

(30) **Foreign Application Priority Data**

Aug. 9, 2011 (EM) 001902750-0002

(51) **LOC (9) Cl.** **08-03**

(52) **U.S. Cl.** **D8/65**

(58) **Field of Classification Search** D8/65,
D8/7, 8, 9, 70, 66, 67, 62, 63, 64, 61, 91;
30/386, 383, 382, 371, 123, 381; 125/21;
D21/532; 83/832, 833, 834; 123/185.3

See application file for complete search history.

(56) **References Cited**

U.S. PATENT DOCUMENTS

D364,326	S	*	11/1995	Lohse et al.	D8/65
D377,441	S	*	1/1997	Hoppner et al.	D8/65
5,992,025	A	*	11/1999	Fricke	30/381
D549,537	S	*	8/2007	Harada et al.	D8/65
D563,747	S	*	3/2008	Tinius	D8/65
D573,860	S	*	7/2008	Shimokawa et al.	D8/65
D576,005	S	*	9/2008	Shimokawa et al.	D8/65
D577,557	S	*	9/2008	Shimokawa et al.	D8/65
D580,724	S	*	11/2008	Tinius	D8/65

D606,829	S	*	12/2009	Tinius	D8/65
D607,292	S	*	1/2010	Tinius	D8/65
D607,293	S	*	1/2010	Tinius	D8/65
D615,836	S	*	5/2010	Kosugi et al.	D8/65
D633,353	S	*	3/2011	Tinius	D8/65
D633,766	S	*	3/2011	Tinius	D8/65
D636,652	S	*	4/2011	Mehra	D8/65
D651,061	S	*	12/2011	Tinius	D8/65
D658,960	S	*	5/2012	Landberg	D8/65
2002/0129502	A1	*	9/2002	Durr et al.	30/381
2003/0188618	A1	*	10/2003	Menzel et al.	83/801
2004/0016133	A1	*	1/2004	Gorenflo et al.	30/383
2004/0103857	A1	*	6/2004	Kruse	123/1 R
2006/0230900	A1	*	10/2006	Bergquist	83/381

* cited by examiner

Primary Examiner — Austin Murphy

(74) *Attorney, Agent, or Firm* — McGuireWoods LP

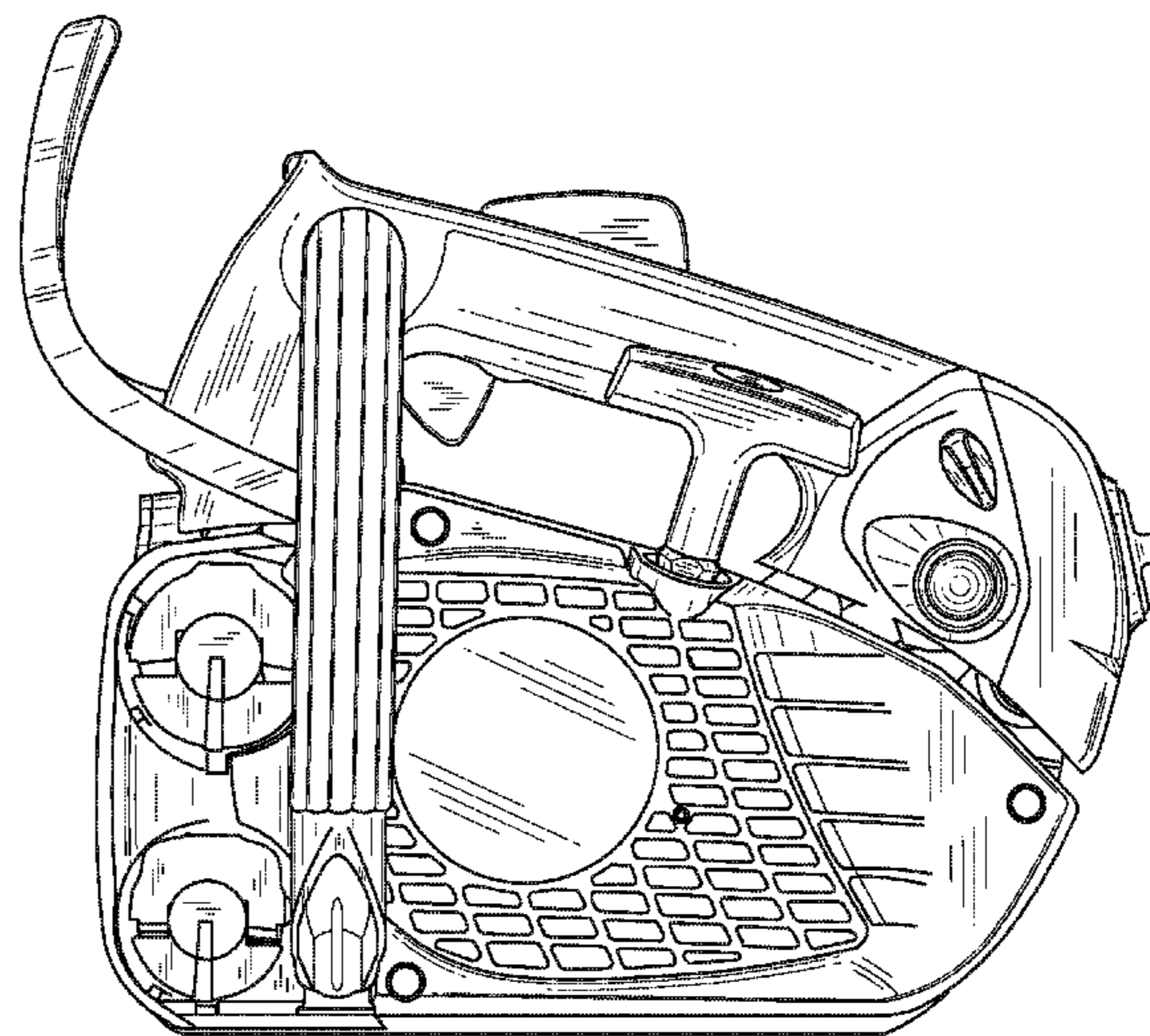
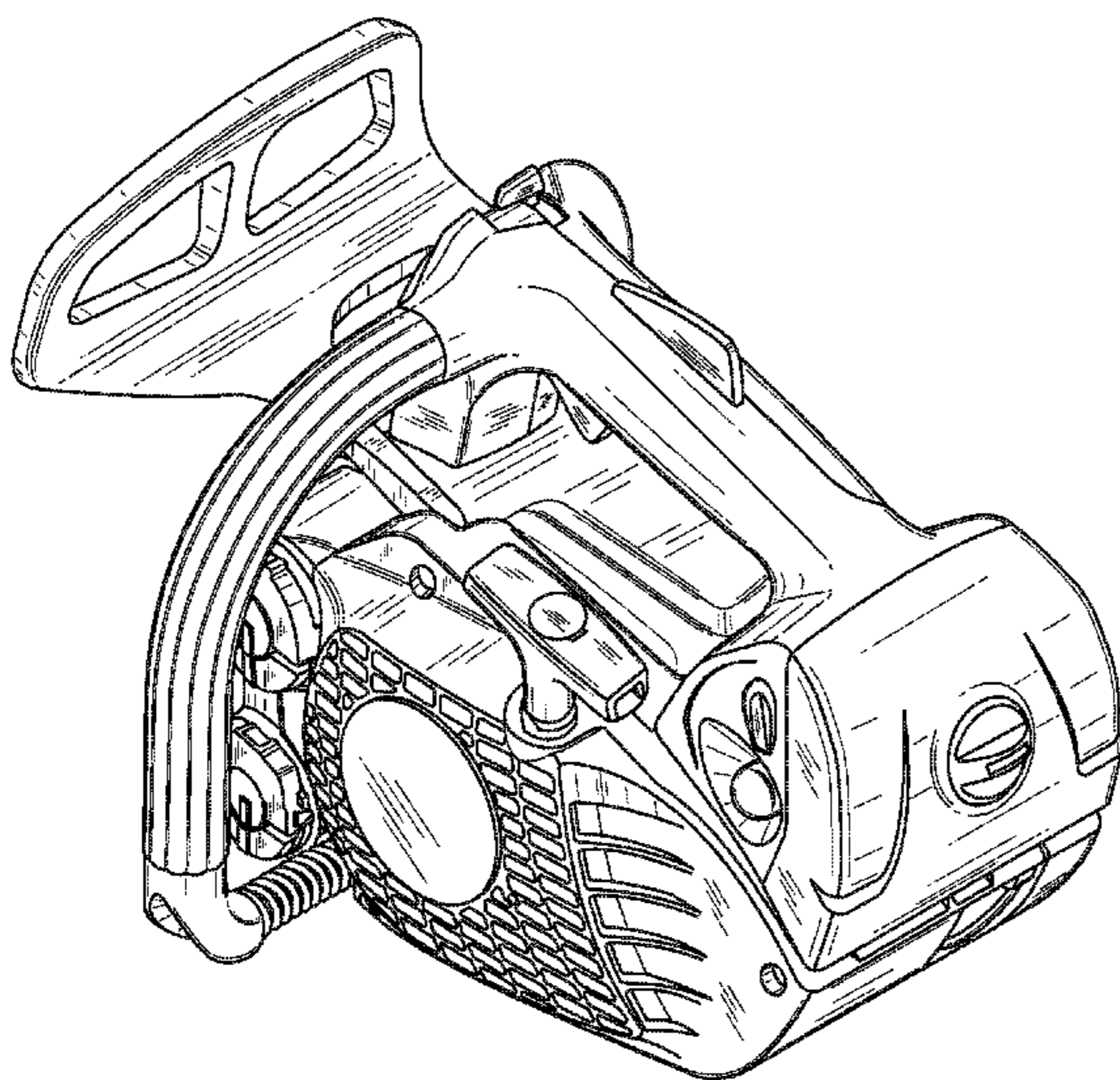
(57) **CLAIM**

I claim the ornamental design for a chain saw, as shown and described.

DESCRIPTION

FIG. 1 is a left perspective view of the chain saw;
FIG. 2 is a rear view of the chain saw shown in FIG. 1;
FIG. 3 is a front view of the chain saw shown in FIG. 1;
FIG. 4 is a left side view of the chain saw shown in FIG. 1;
FIG. 5 is a right side view of the chain saw shown in FIG. 1;
FIG. 6 is a top view of the chain saw shown in FIG. 1; and,
FIG. 7 is a bottom view of the chain saw shown in FIG. 1.
The broken lines shown in the drawings represent unclaimed portions of the chain saw and form no part of the claimed design.

1 Claim, 7 Drawing Sheets



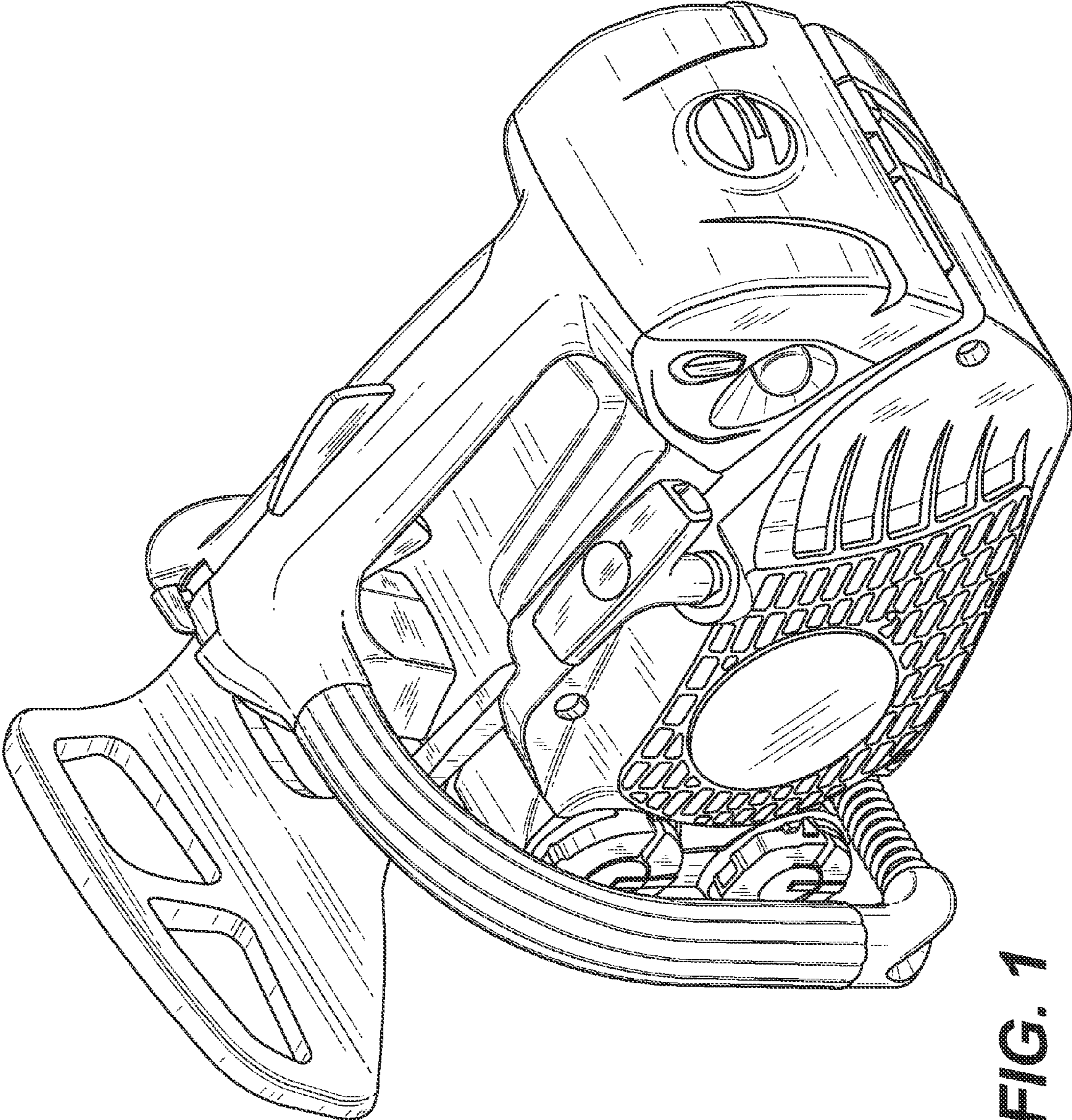


FIG. 1

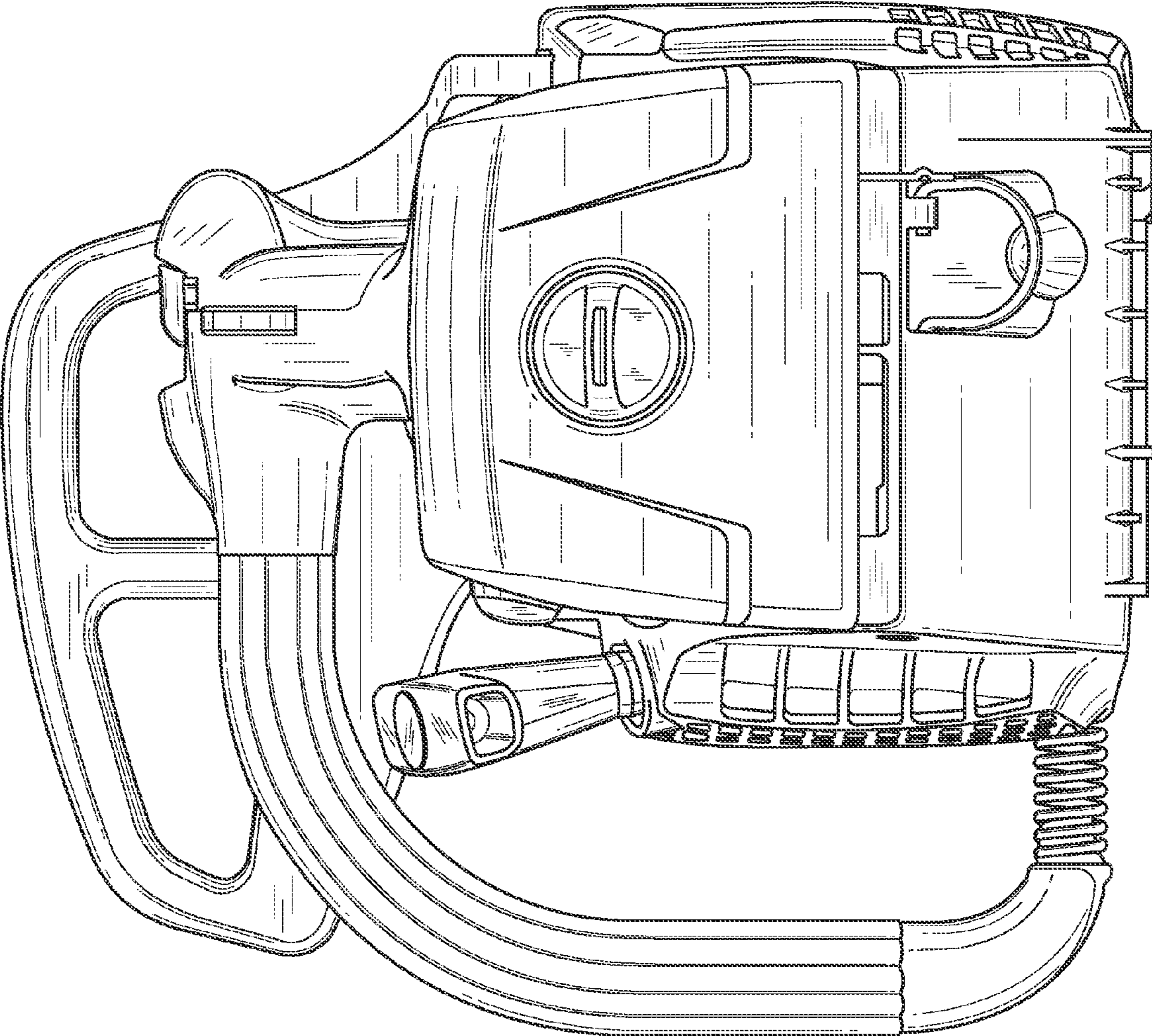


FIG. 2

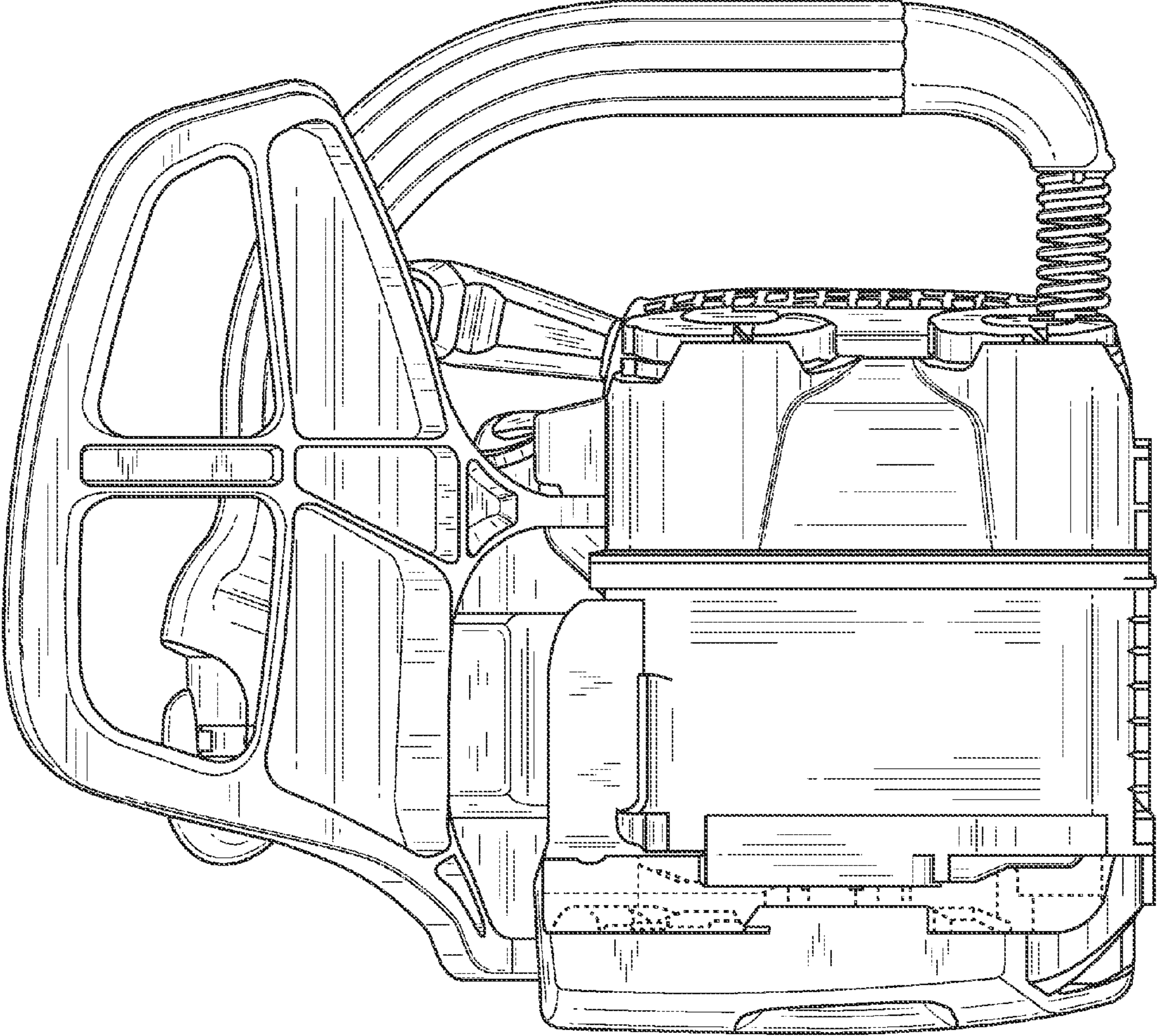


FIG. 3

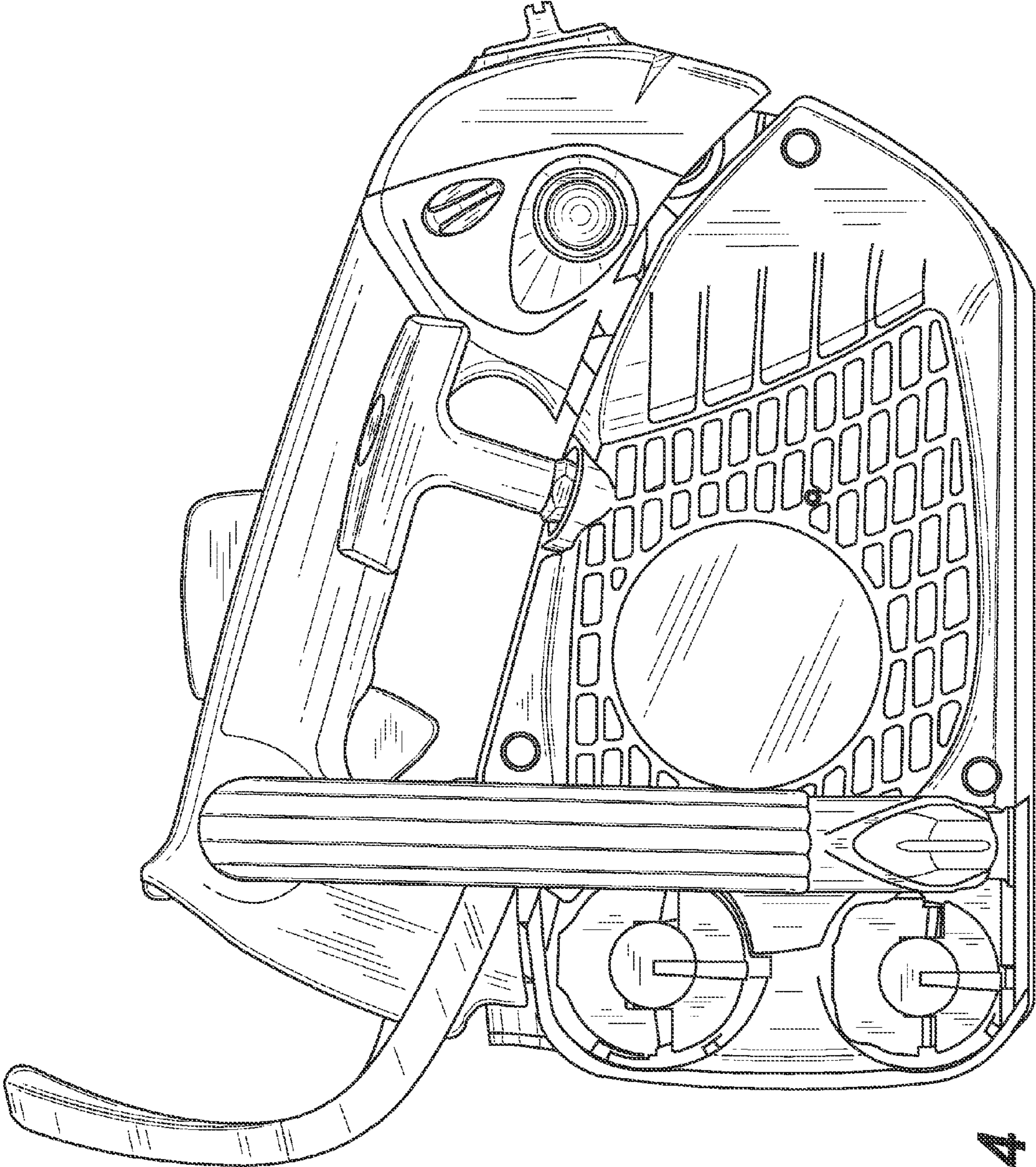


FIG. 4

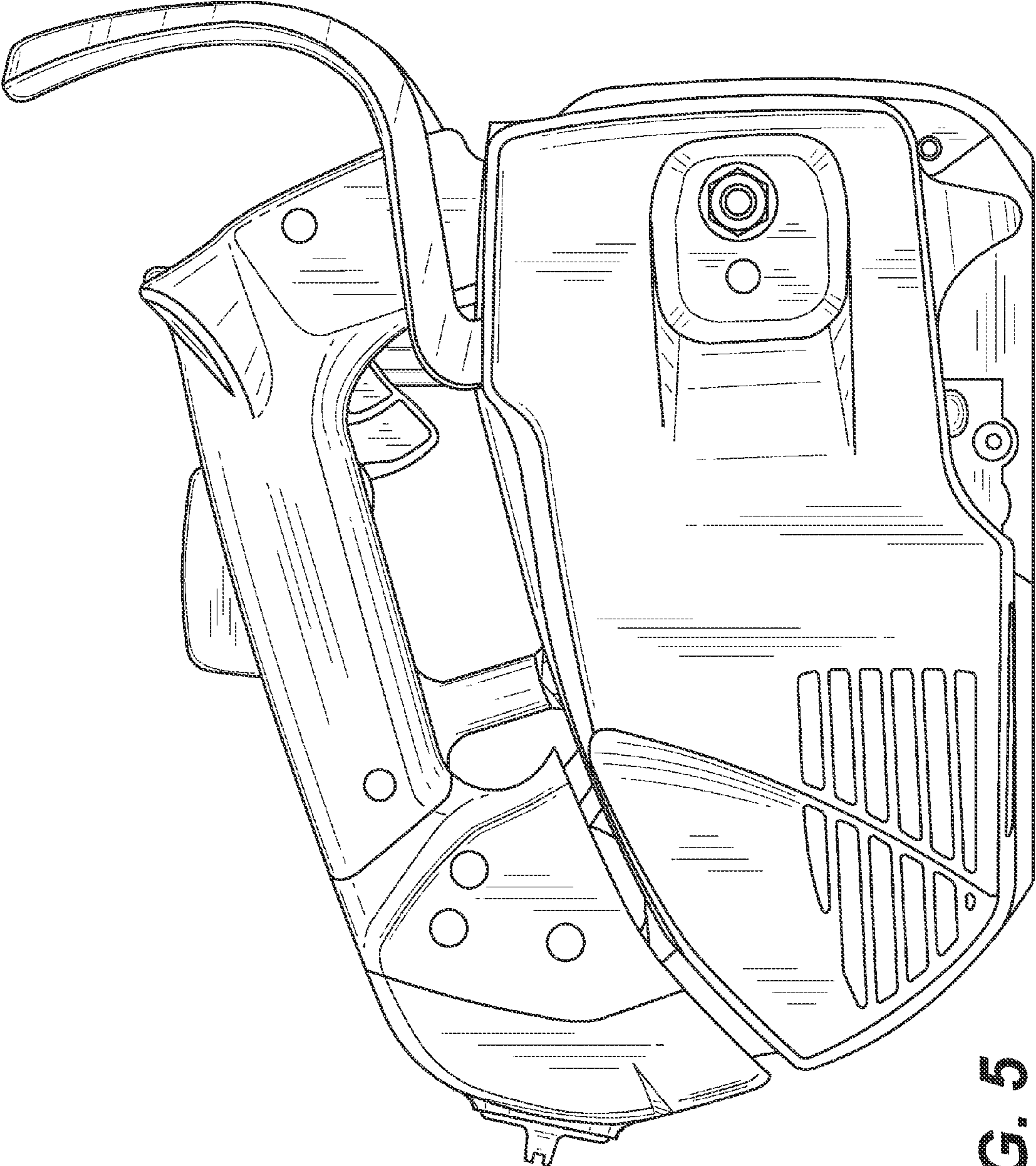


FIG. 5

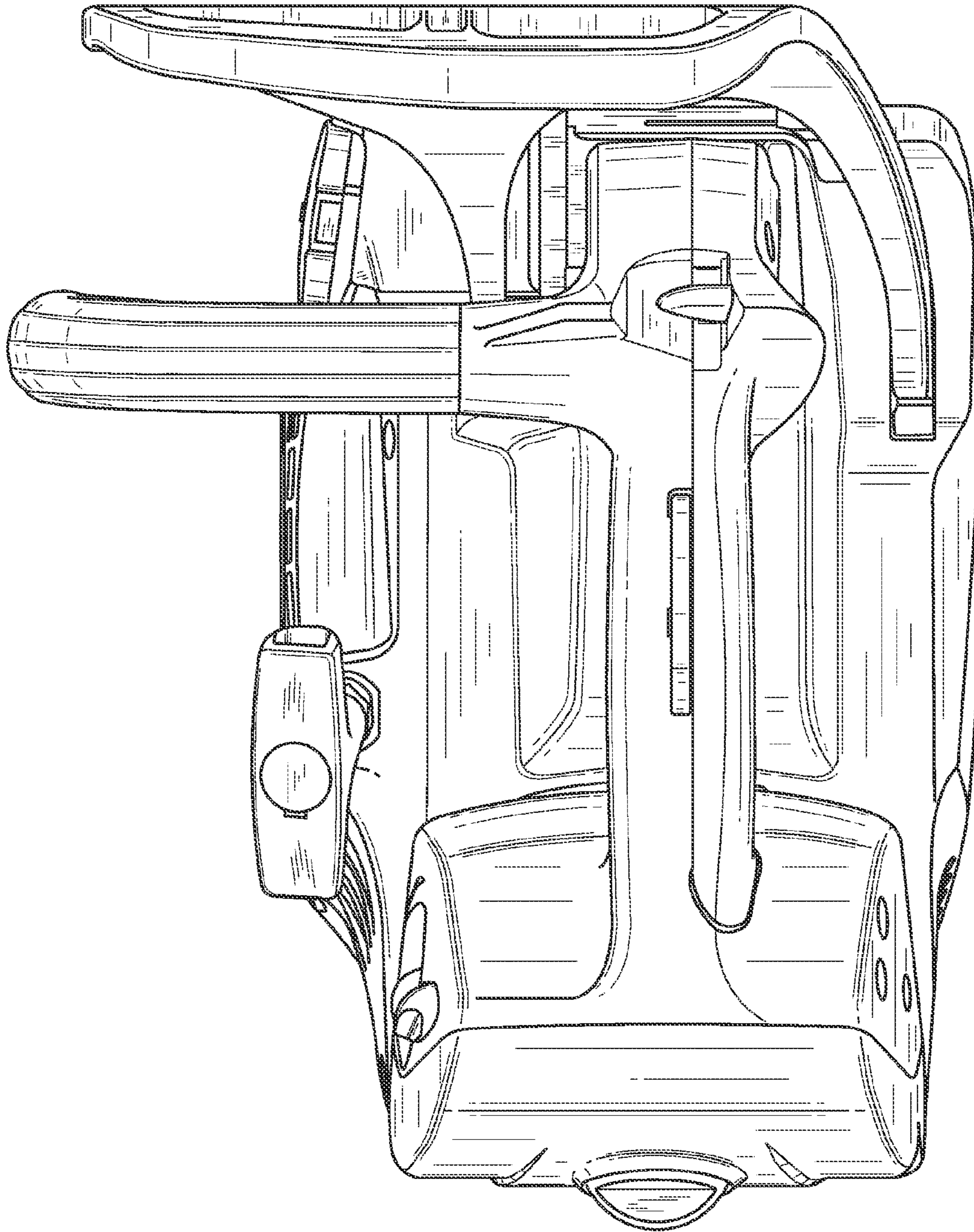


FIG. 6

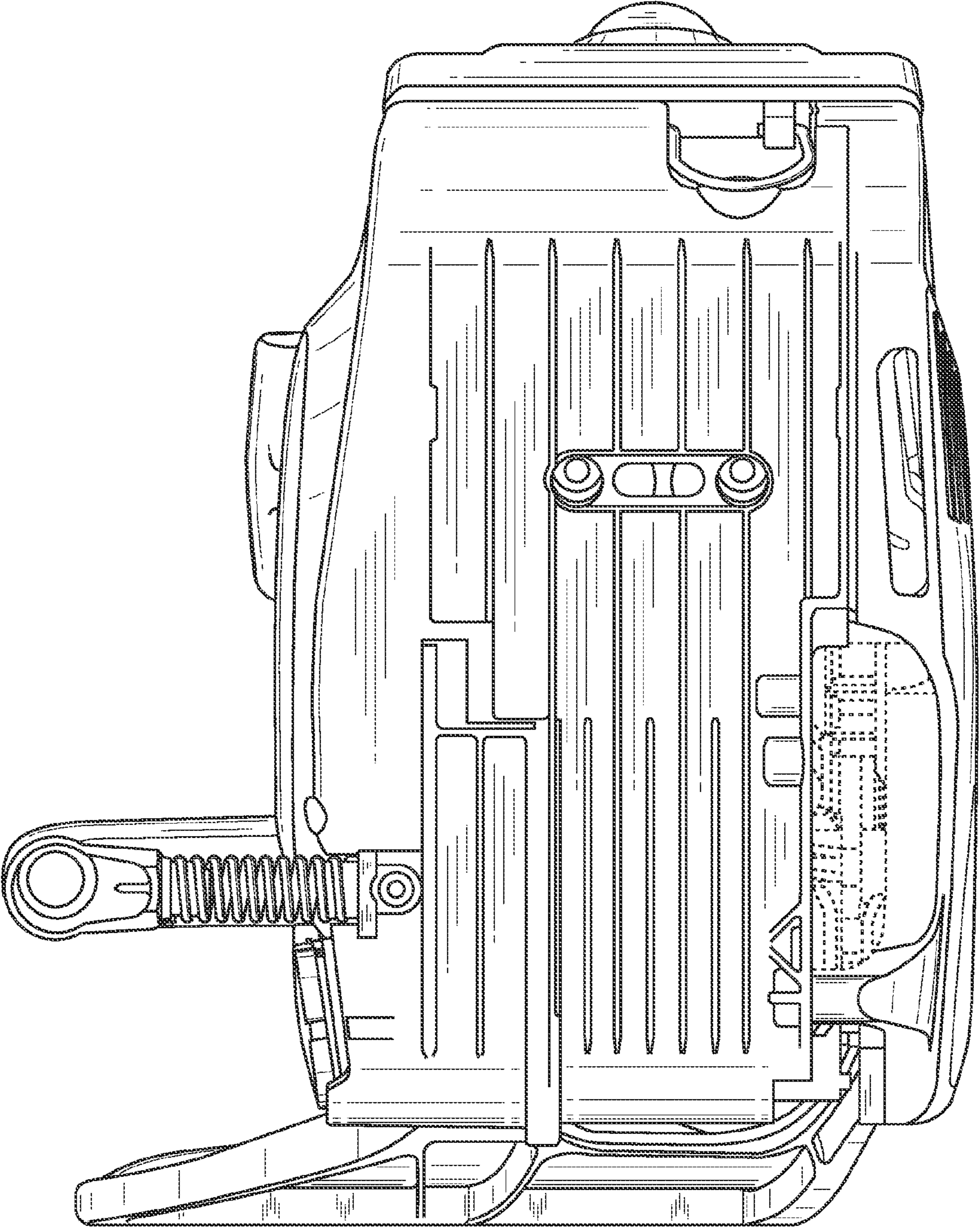


FIG. 7