

US00D668920S

(12) **United States Design Patent**  
**Sandoval**

(10) **Patent No.:** **US D668,920 S**

(45) **Date of Patent:** **\*\* Oct. 16, 2012**

(54) **LAWN AERATION TOOL**

(76) Inventor: **Victor R. Sandoval**, Antioch, CA (US)

(\*\*) Term: **14 Years**

(21) Appl. No.: **29/392,910**

(22) Filed: **May 27, 2011**

(51) **LOC (9) Cl.** ..... **08-01**

(52) **U.S. Cl.** ..... **D8/1**

(58) **Field of Classification Search** ..... D8/1, 13,  
D8/6, 7; 172/21, 379, 22, 371, 23; 294/49,  
294/55.5

See application file for complete search history.

(56) **References Cited**

**U.S. PATENT DOCUMENTS**

722,028	A *	3/1903	Erickson	.....	172/23
1,965,177	A	7/1934	Finkl		
2,720,023	A *	10/1955	Koscher et al.	.....	30/164.8
3,163,456	A	12/1964	Schell, Jr. et al.		
3,881,553	A	5/1975	Angeski		
D301,195	S *	5/1989	Hardy	.....	D8/1
D309,242	S *	7/1990	Laslo	.....	D8/6
D371,493	S *	7/1996	Beaulieu	.....	D8/7

5,709,273	A	1/1998	Roth		
D395,807	S *	7/1998	Beasley	.....	D8/7
5,813,471	A	9/1998	Ramsey		
6,076,614	A *	6/2000	Gracy	.....	172/379
D574,677	S *	8/2008	Broadstone	.....	D8/1
D586,632	S *	2/2009	Lai	.....	D8/6

\* cited by examiner

*Primary Examiner* — Sheryl Lane

(57) **CLAIM**

The ornamental design for a lawn aeration tool, as shown and described.

**DESCRIPTION**

FIG. 1 is an isometric view of a lawn aeration tool showing my new design;

FIG. 2 is a right elevation view thereof, the opposite side being a mirror image of the shown;

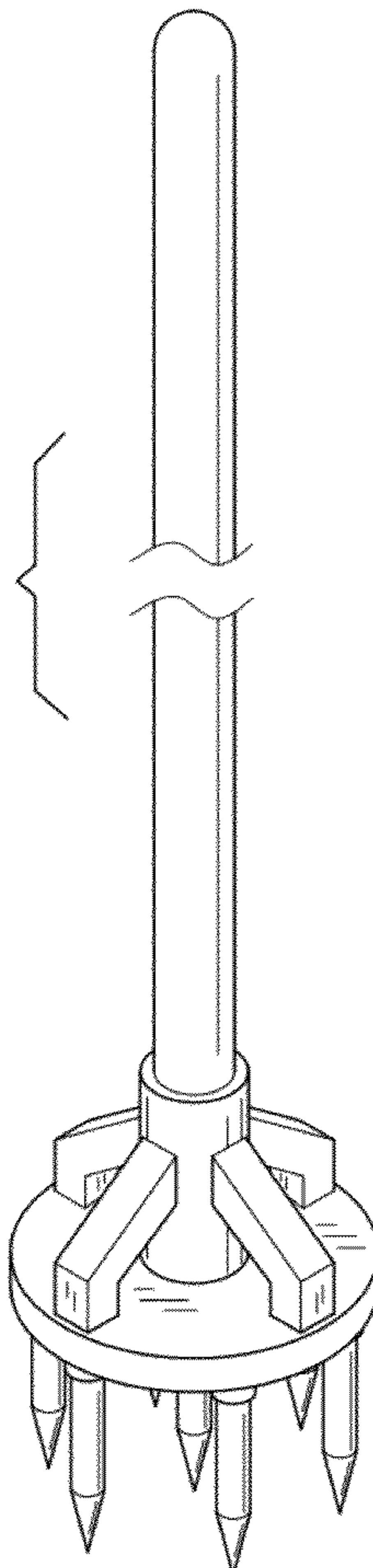
FIG. 3 is a front elevation view thereof, the opposite side being a mirror image of the shown;

FIG. 4 is a top plan view thereof; and,

FIG. 5 is a bottom plan view thereof.

The portion of the tool handle between the breaks forms no part of the claimed design.

**1 Claim, 3 Drawing Sheets**



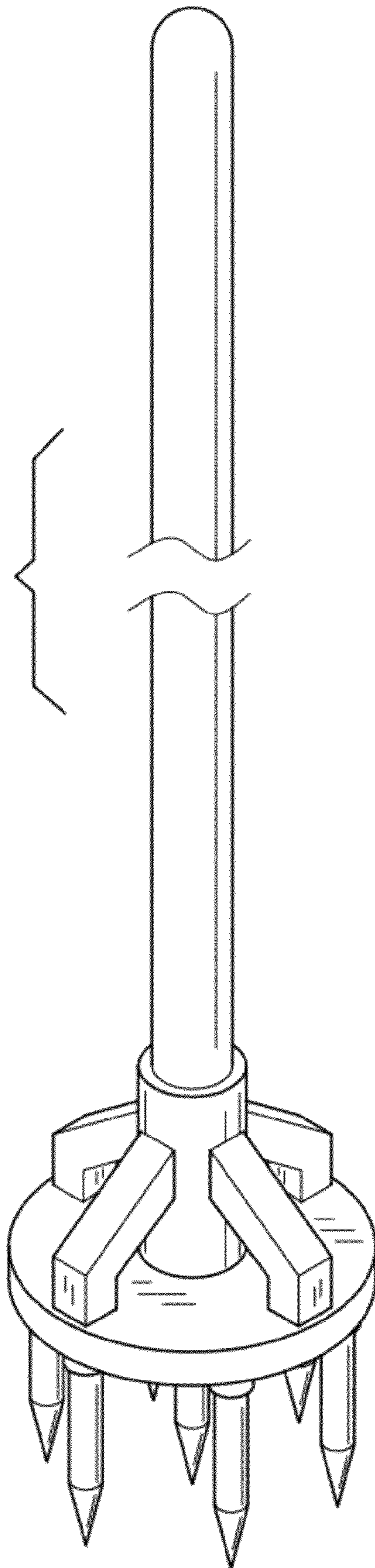
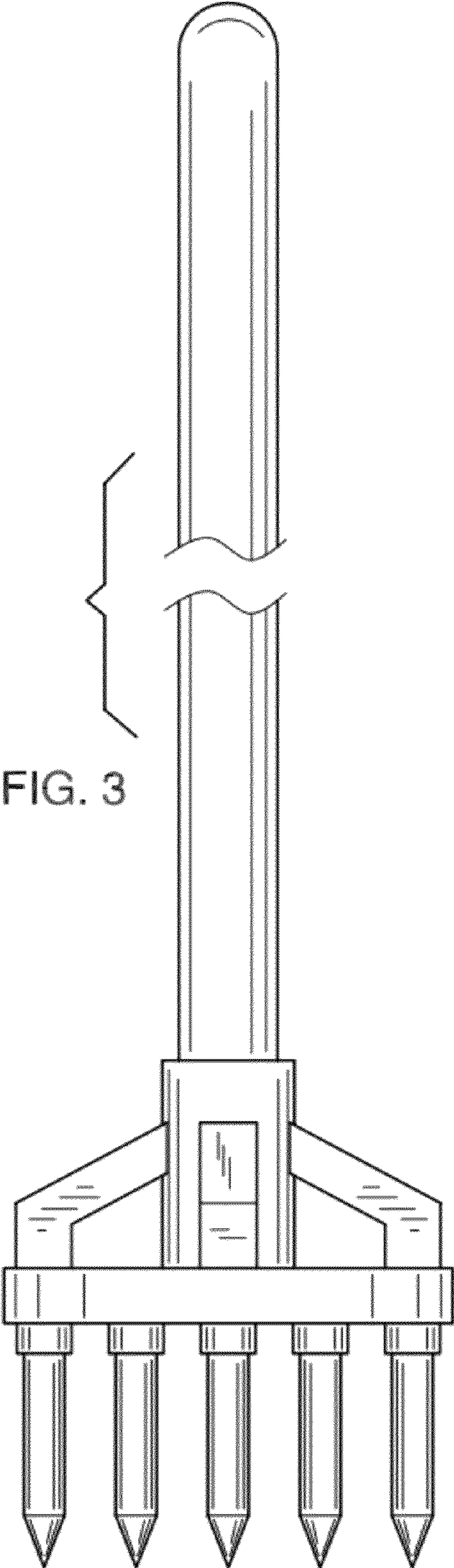
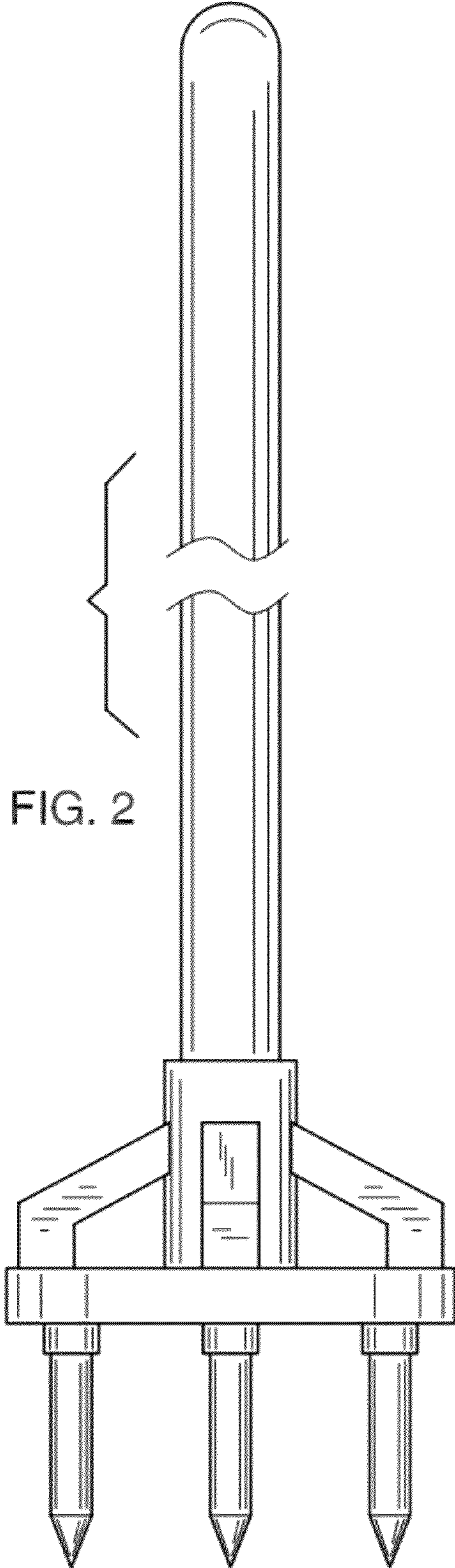


FIG. 1





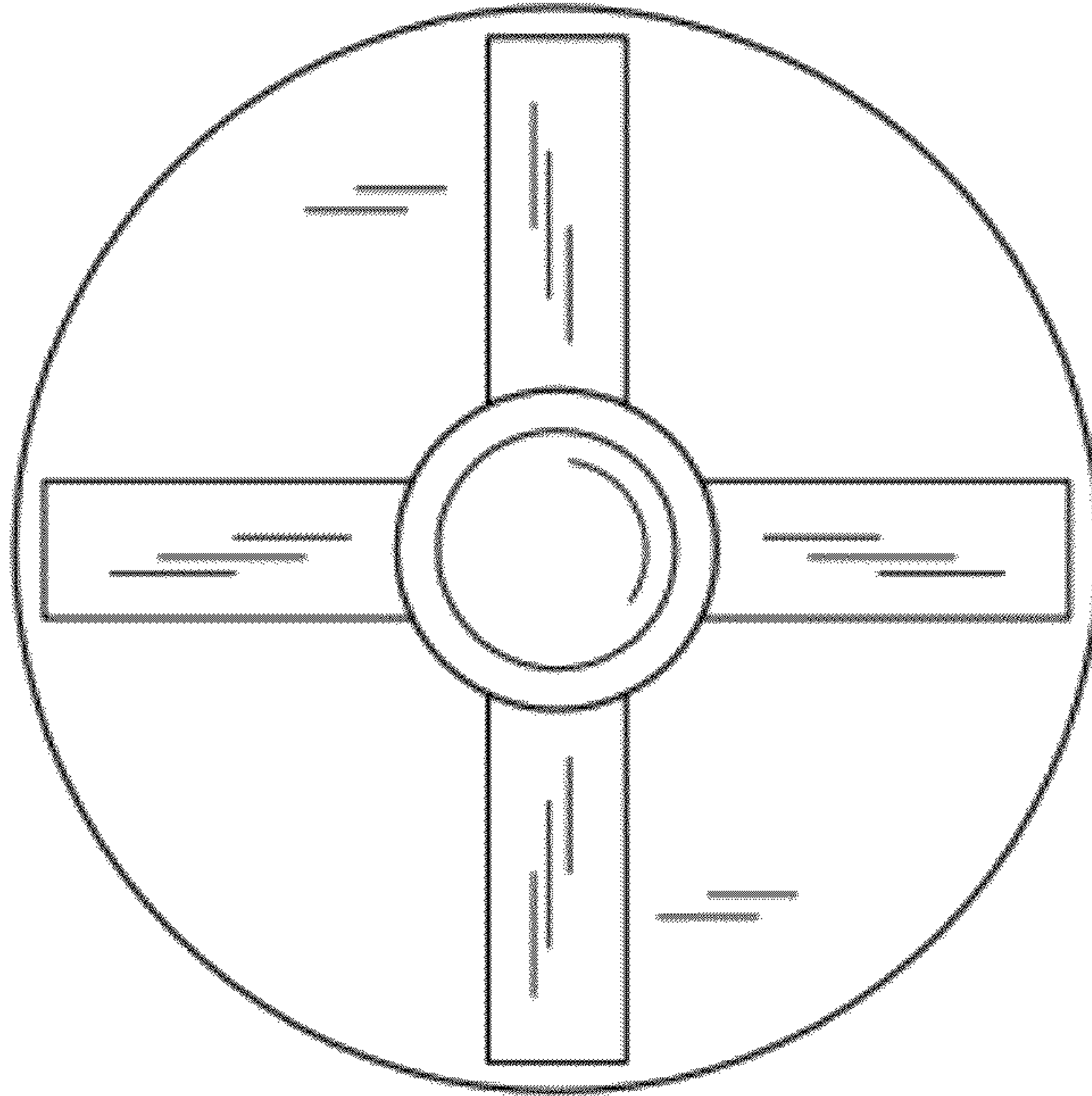


FIG. 4

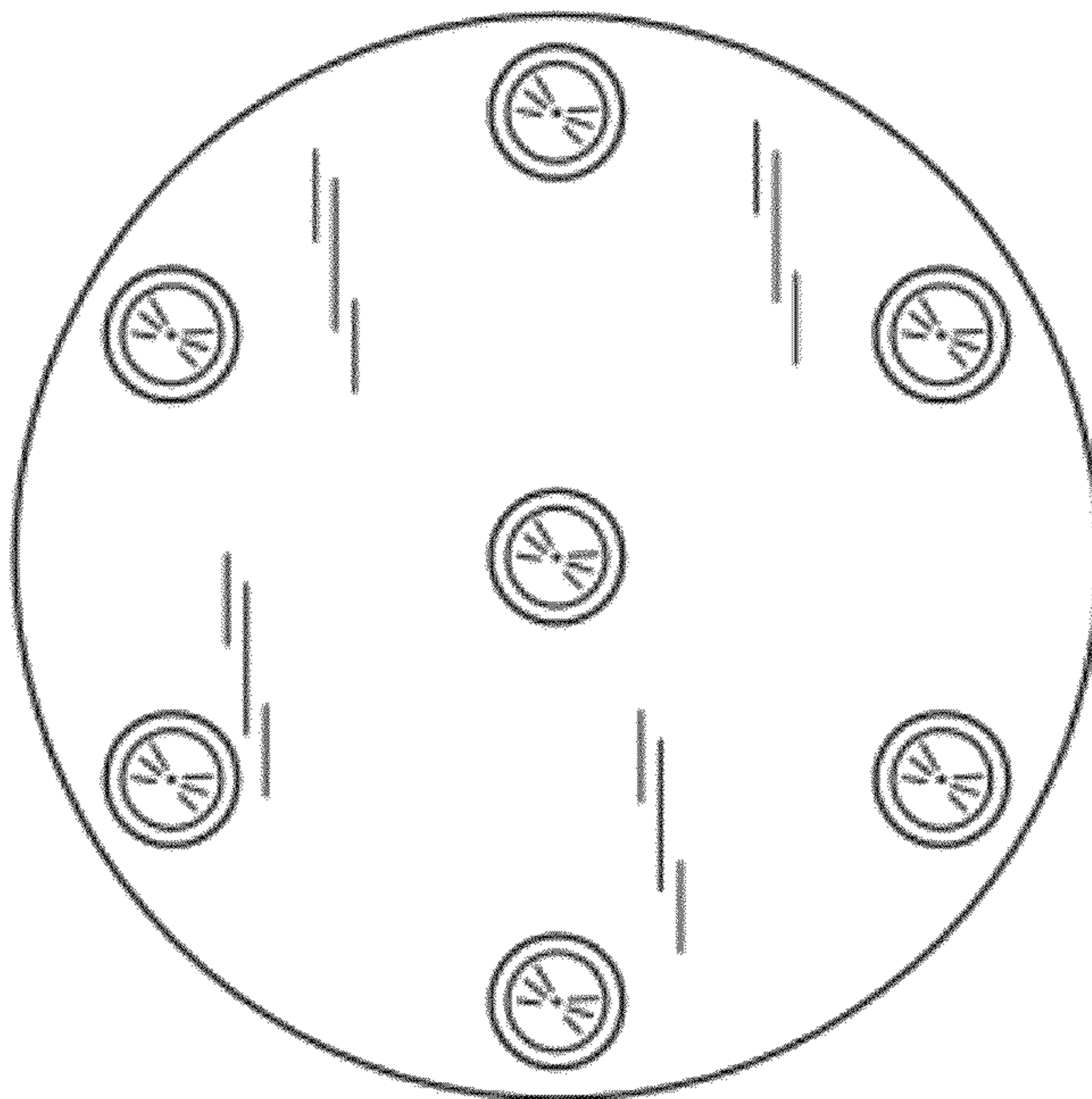


FIG. 5