



US00D668916S

(12) **United States Design Patent**
Mullen

(10) **Patent No.:** **US D668,916 S**

(45) **Date of Patent:** **** Oct. 16, 2012**

(54) **PAN PORTER**

(76) Inventor: **Wilveria R. Mullen**, Baltimore, MD
(US)

(**) Term: **14 Years**

(21) Appl. No.: **29/416,891**

(22) Filed: **Mar. 28, 2012**

(51) **LOC (9) Cl.** **07-01**

(52) **U.S. Cl.** **D7/607; D7/387; D7/601**

(58) **Field of Classification Search** D7/387,
D7/368, 669, 601, 607; 383/110, 121.1,
383/98, 2, 6; D29/119; D6/610, 595; D3/201,
D3/202, 232, 303, 315

See application file for complete search history.

(56) **References Cited**

U.S. PATENT DOCUMENTS

3,262,283	A *	7/1966	Taylor	62/372
3,507,312	A *	4/1970	Petersen	220/737
D262,177	S *	12/1981	Swan	D7/607
4,578,814	A	3/1986	Skamser		
4,802,233	A	1/1989	Skamser		
4,806,736	A	2/1989	Schirico		
D321,306	S	11/1991	Behar		
D371,051	S	6/1996	Melk		
5,800,061	A	9/1998	Volles		

D433,196	S *	10/2000	Specht	D29/119
D449,441	S	10/2001	Jackson et al.		
6,439,452	B1	8/2002	Tsao		
D522,811	S	6/2006	Martinez et al.		
7,153,025	B1	12/2006	Jackson et al.		
D583,629	S *	12/2008	Sgrillo	D7/607
2006/0264794	A1 *	11/2006	Fuchs et al.	602/26
2007/0053618	A1 *	3/2007	Schoening	383/110

* cited by examiner

Primary Examiner — Terry Wallace

(74) *Attorney, Agent, or Firm* — Buckingham, Doolittle & Burroughs, LLP

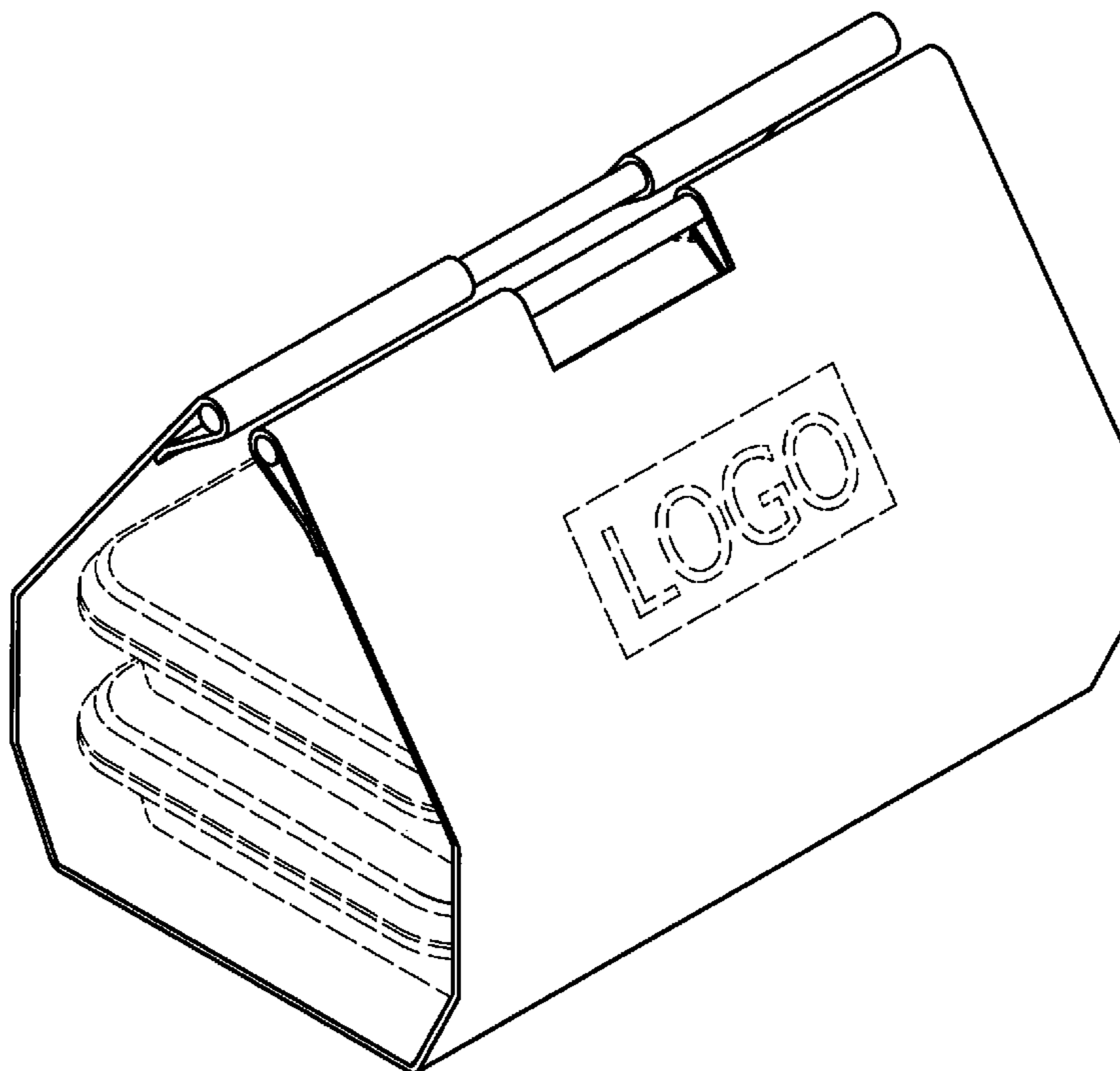
(57) **CLAIM**

I claim the ornamental design for a pan porter, as shown and described.

DESCRIPTION

FIG. 1 is a perspective view of the pan porter;
FIG. 2 is a front view thereof;
FIG. 3 is a back view thereof;
FIG. 4 is a right side view thereof;
FIG. 5 is a left side view thereof;
FIG. 6 is a top view thereof; and,
FIG. 7 is a bottom view thereof.
The broken lines are for illustrative purposes only and form no part of the claimed design.

1 Claim, 7 Drawing Sheets



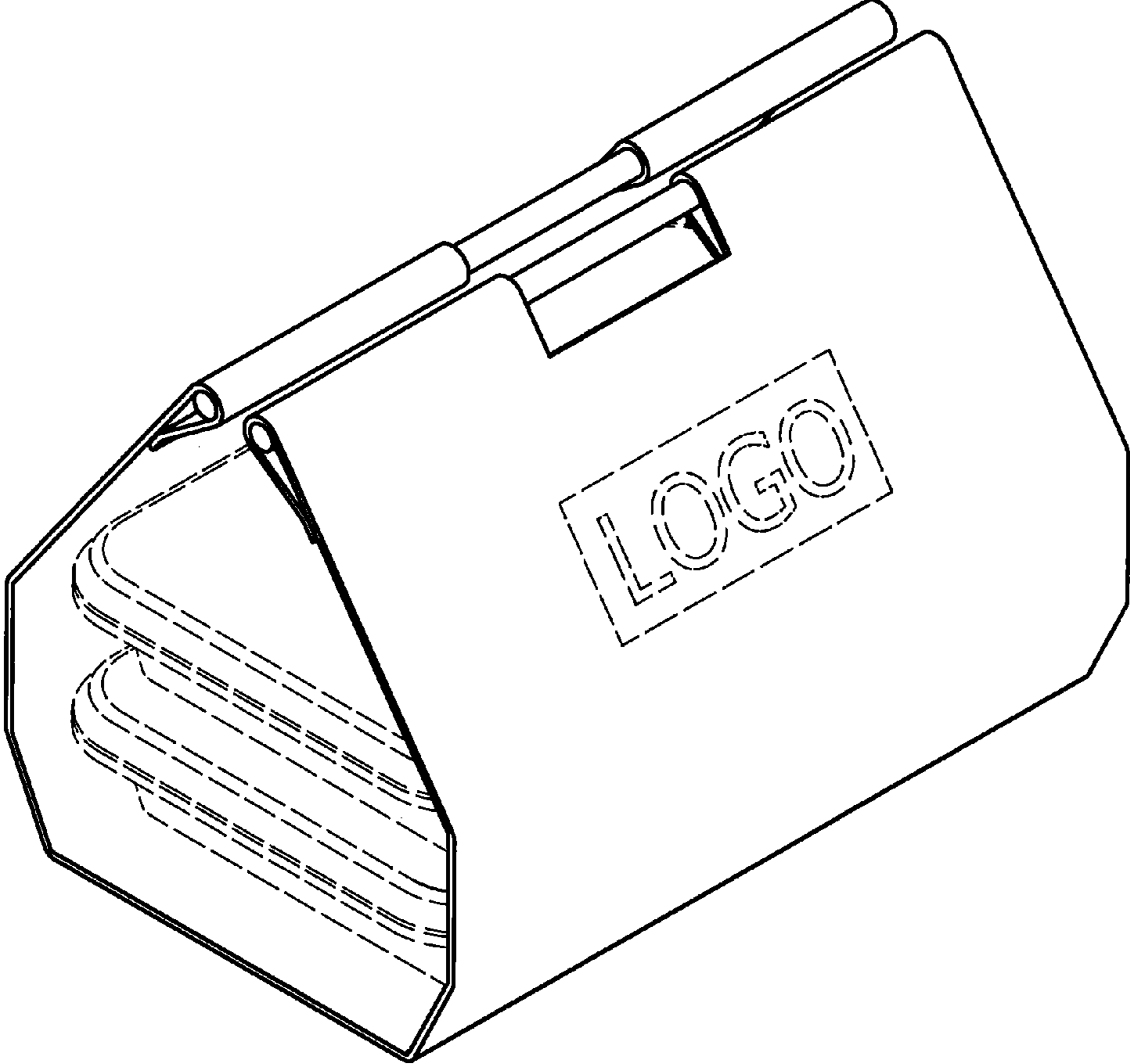


FIG. 1

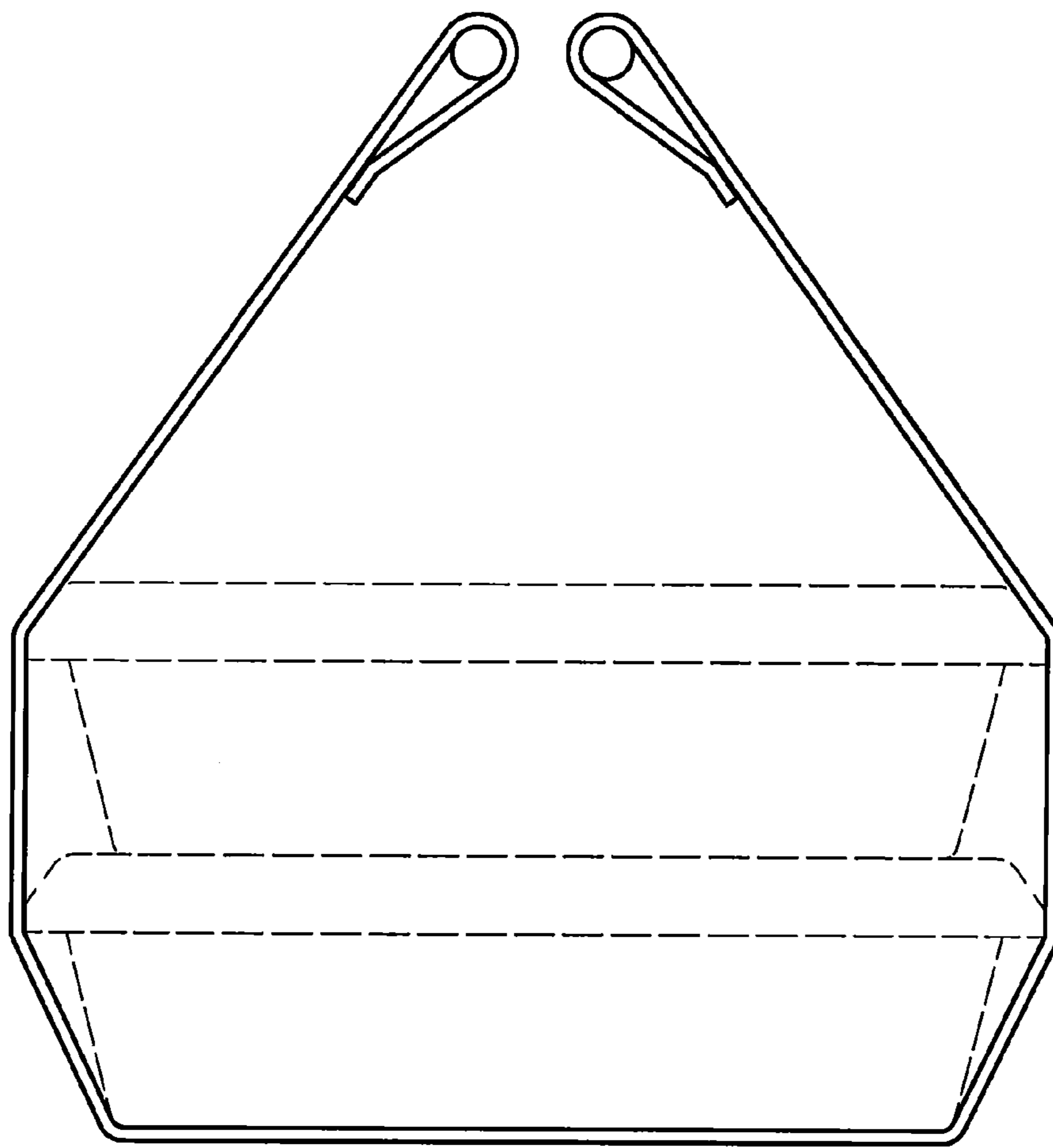


FIG. 2

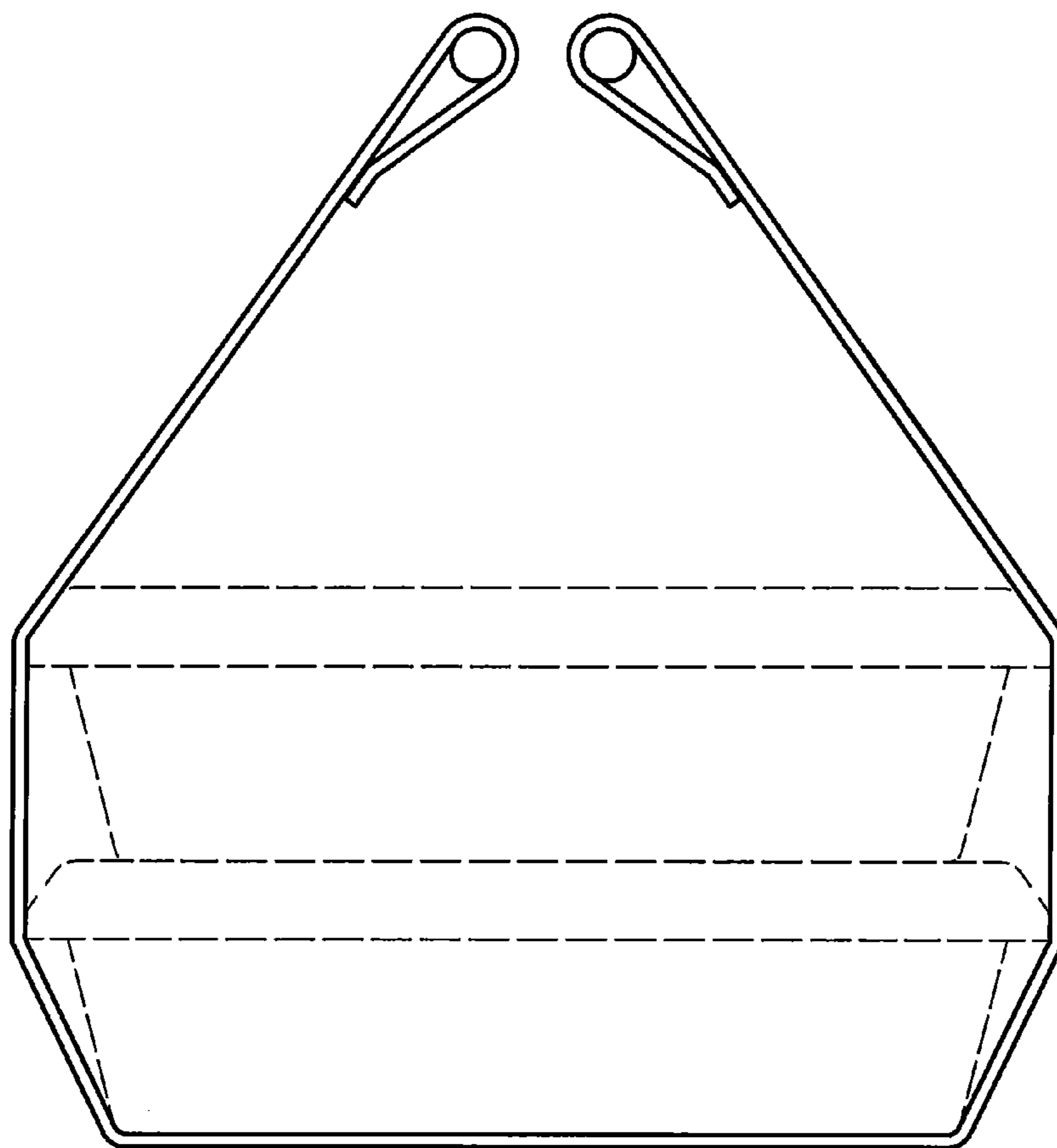


FIG. 3

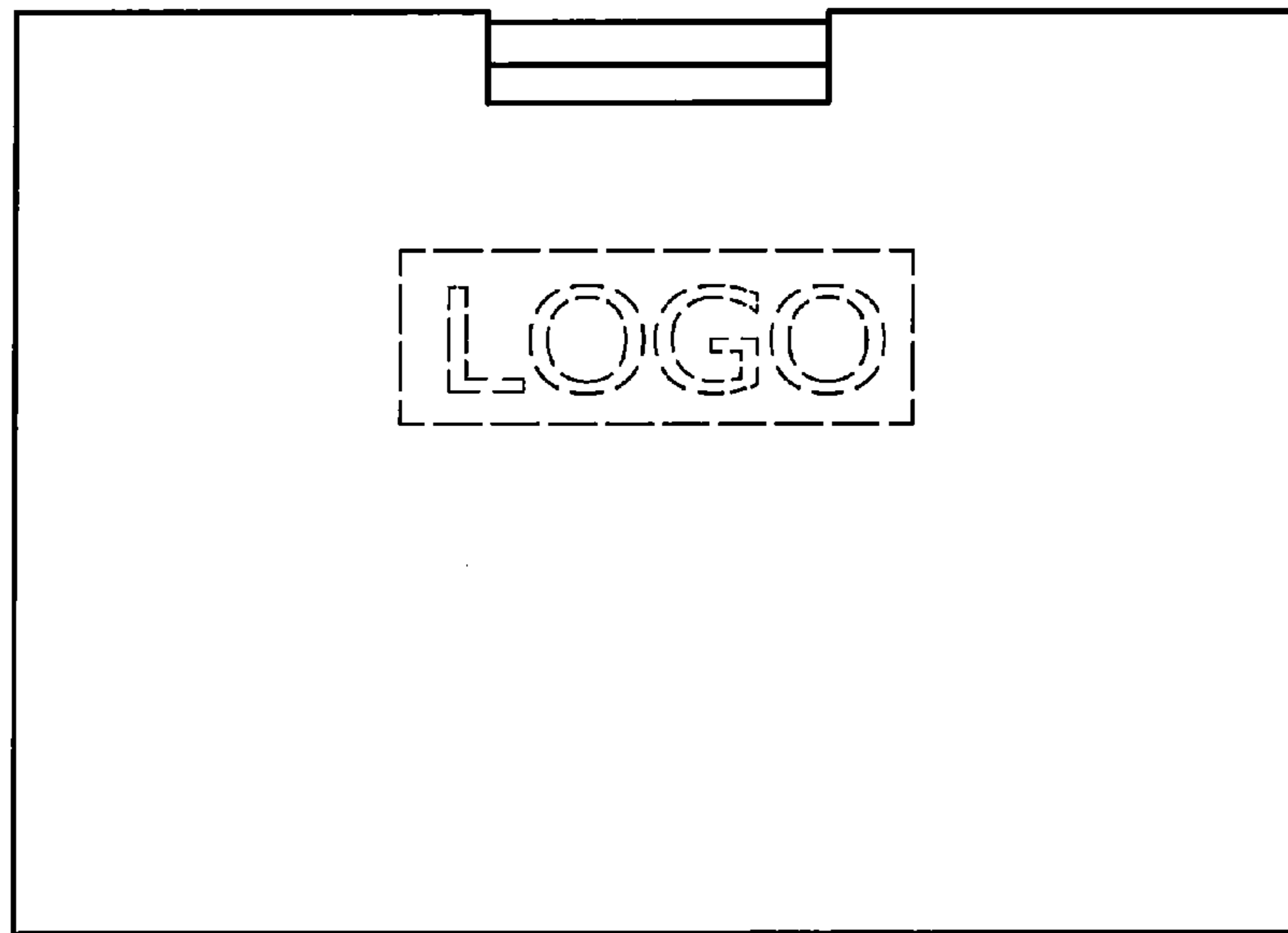


FIG. 4

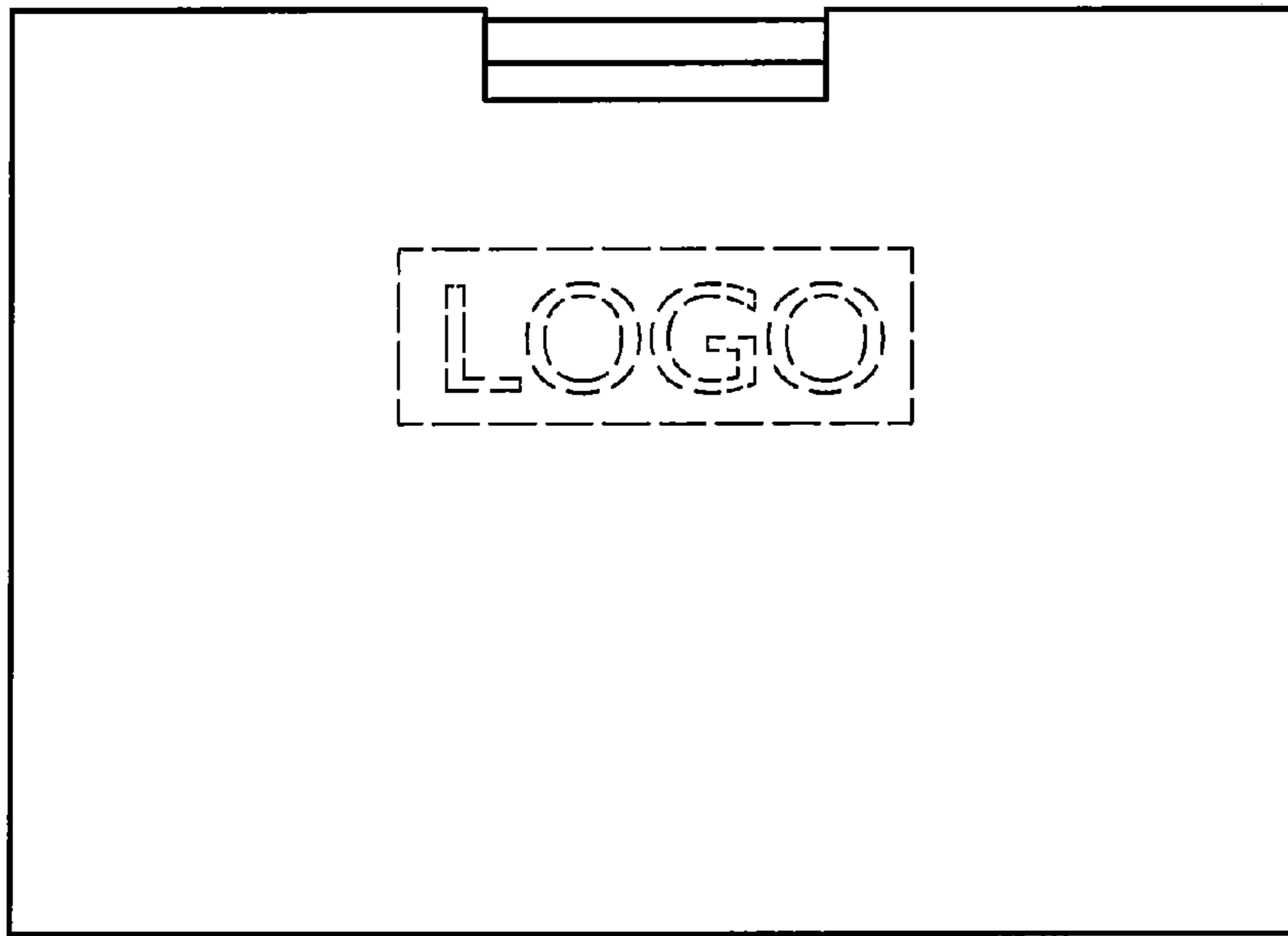


FIG. 5

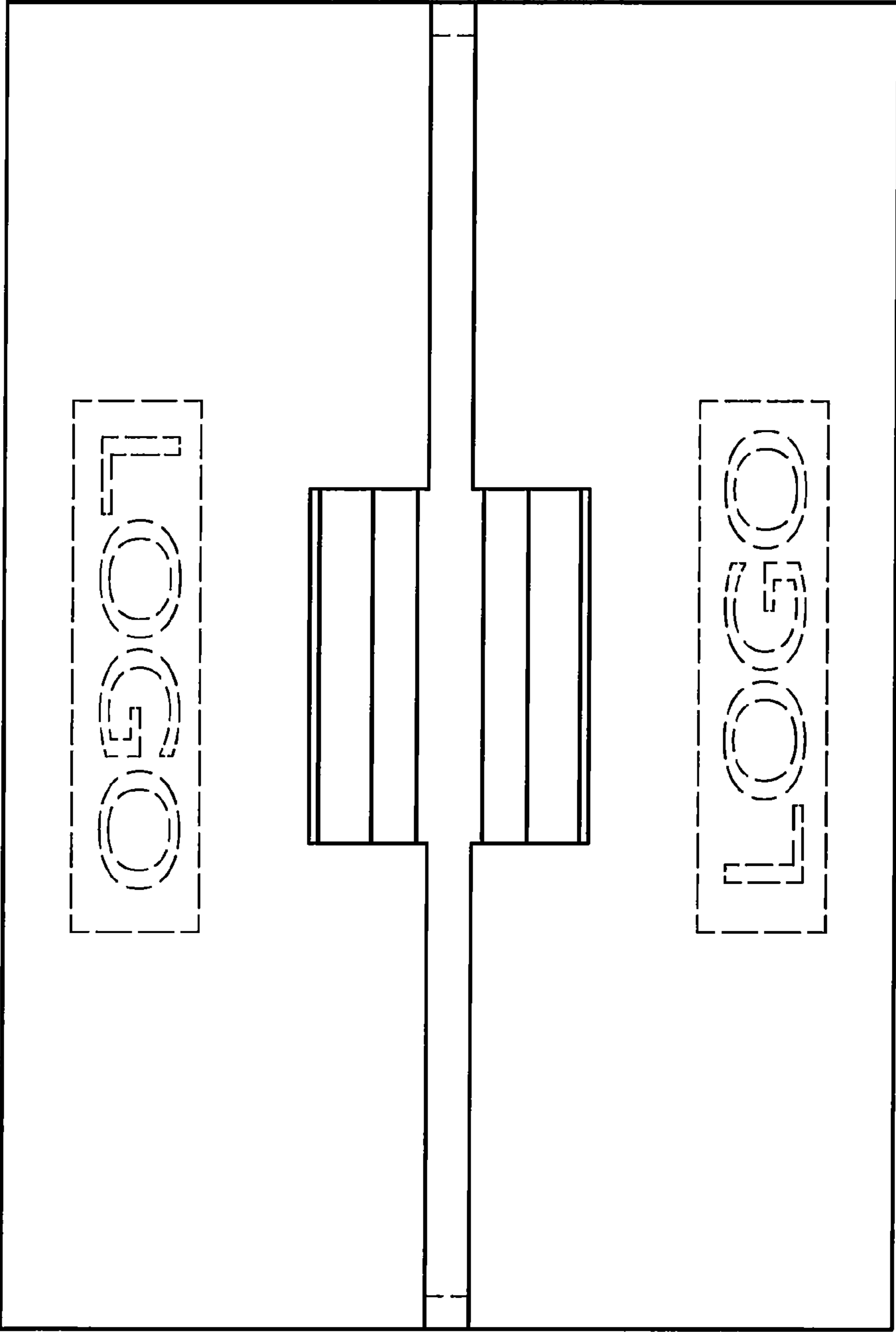


FIG. 6

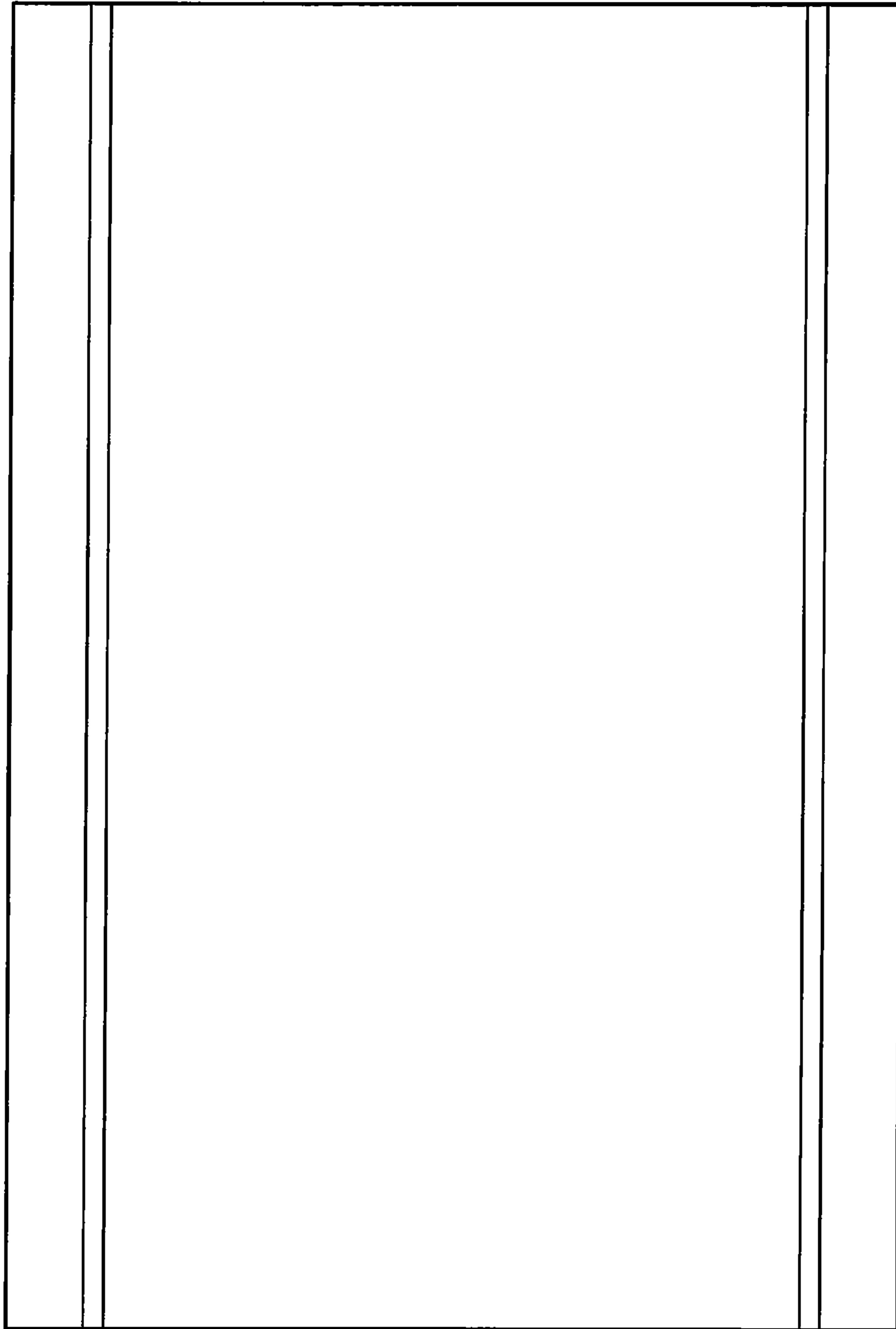


FIG. 7