



US00D668915S

(12) **United States Design Patent**
Drees

(10) **Patent No.:** **US D668,915 S**
(45) **Date of Patent:** **** Oct. 16, 2012**

(54) **MIXING BOWL**

(75) Inventor: **Steven C. Drees**, Stevensville, MI (US)

(73) Assignee: **Whirlpool Corporation**, Benton Harbor, MI (US)

(**) Term: **14 Years**

(21) Appl. No.: **29/404,499**

(22) Filed: **Oct. 21, 2011**

(51) **LOC (9) Cl.** **07-01**

(52) **U.S. Cl.** **D7/586; D7/543**

(58) **Field of Classification Search** D7/545,
D7/586, 500, 543, 566, 620, 629, 552.1, 354,
D7/584, 360, 361, 667, 387, 317-319, 376;
220/751, 23.4, 574; D9/432; D30/127; 210/469;
366/139

See application file for complete search history.

(56) **References Cited**

U.S. PATENT DOCUMENTS

4,015,945	A *	4/1977	Frankel et al.	422/224
D283,002	S *	3/1986	Daenen	D7/319
D283,193	S *	4/1986	Daenen	D7/317
D284,344	S *	6/1986	Gecchelin	D7/318
D383,646	S *	9/1997	Jeppesen et al.	D7/584
D484,363	S *	12/2003	de Groote et al.	D7/543
D565,356	S *	4/2008	Mellen et al.	D7/586
D565,357	S *	4/2008	Chan	D7/586

D613,121	S *	4/2010	Luft	D7/533
D613,134	S *	4/2010	McRorie et al.	D7/691
D639,115	S *	6/2011	Stewart et al.	D7/543
2012/0002501	A1 *	1/2012	Ulstad et al.	366/205

* cited by examiner

Primary Examiner — Cynthia Underwood

(74) *Attorney, Agent, or Firm* — Jason S. Burnette; Barnes & Thornburg LLP

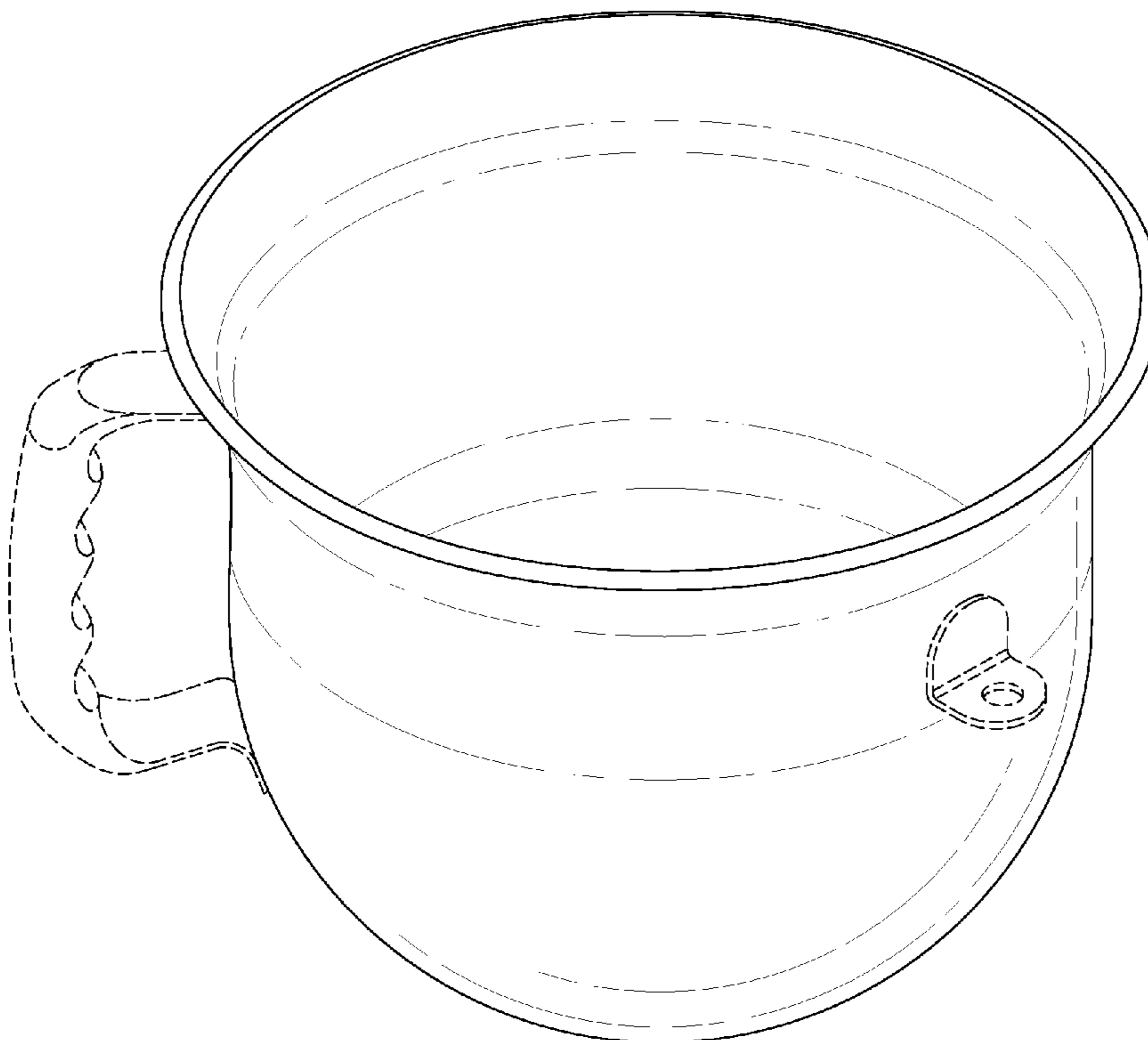
(57) **CLAIM**

I claim the ornamental design for a mixing bowl, as shown and described.

DESCRIPTION

FIG. 1 is a front perspective view of the mixing bowl;
FIG. 2 is a front elevation view of the mixing bowl of FIG. 1,
FIG. 3 is a rear elevation view of the mixing bowl of FIG. 1;
FIG. 4 is a first side elevation view of the mixing bowl of FIG. 1;
FIG. 5 is a second side elevation view of the mixing bowl of FIG. 1;
FIG. 6 is a top plan view of the mixing bowl of FIG. 1; and,
FIG. 7 is a bottom plan view of the mixing bowl of FIG. 1.
The portions shown in broken lines are for illustrative purposes only and form no part of the claimed design.

1 Claim, 7 Drawing Sheets



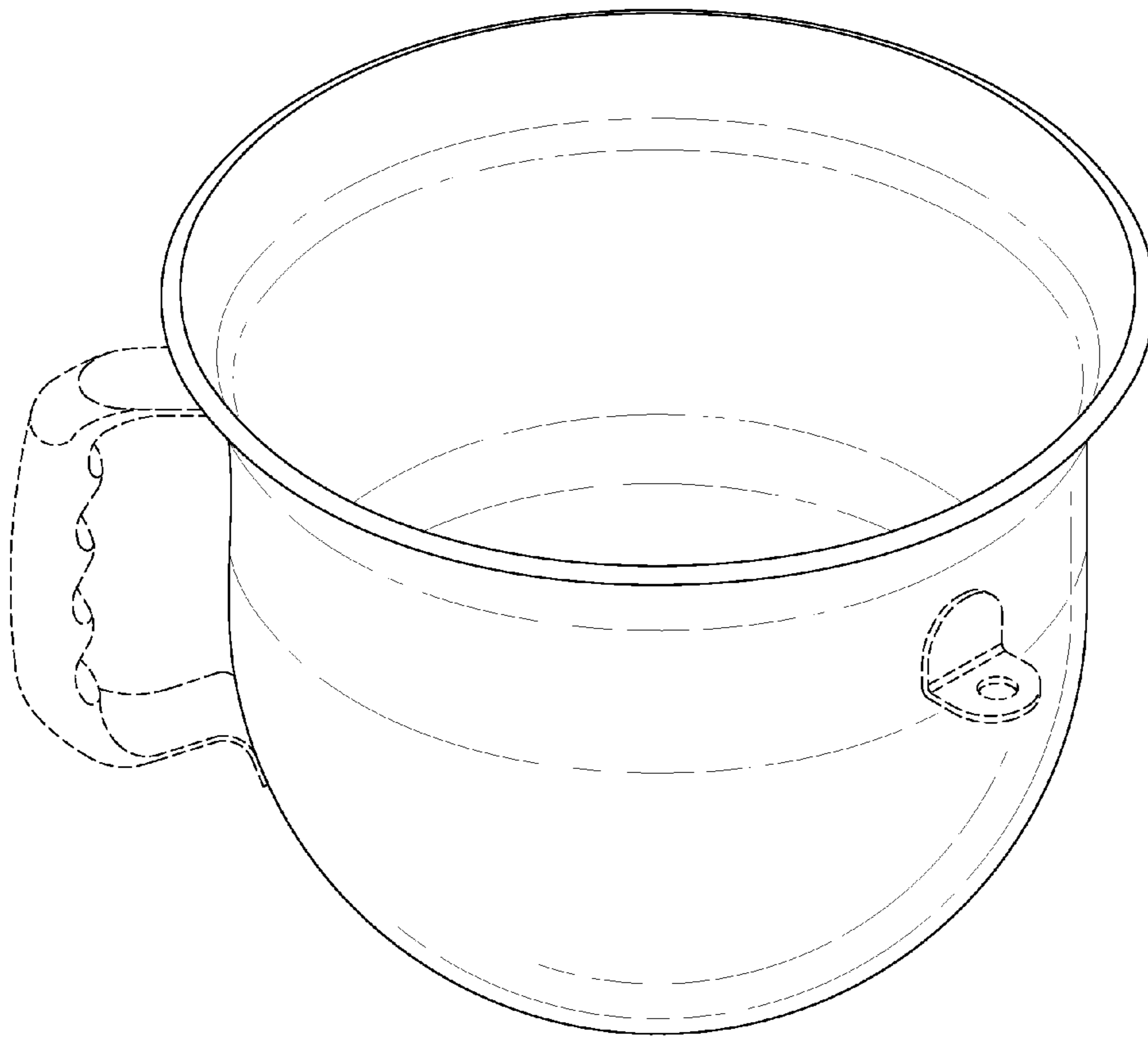


Fig. 1

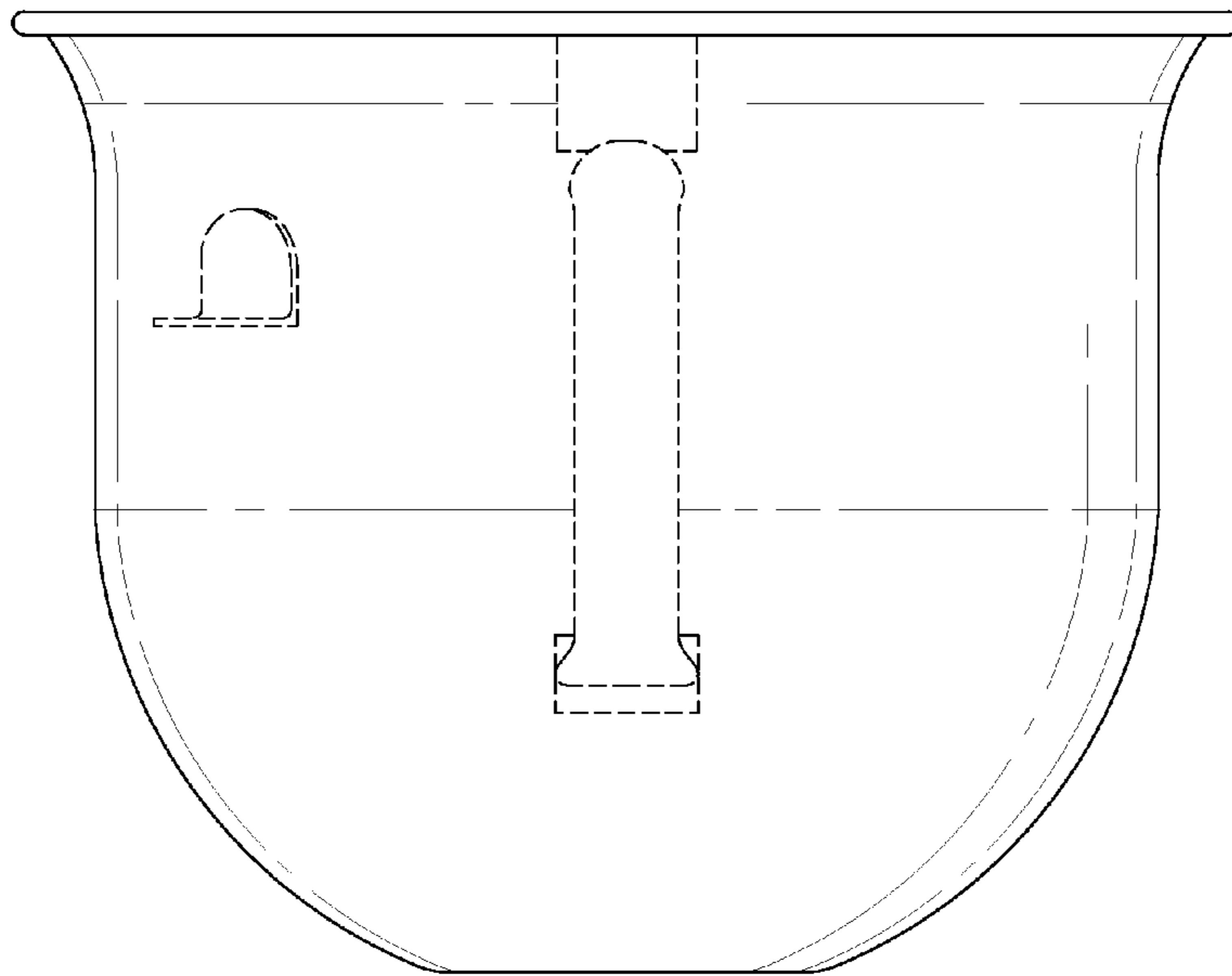


Fig. 2

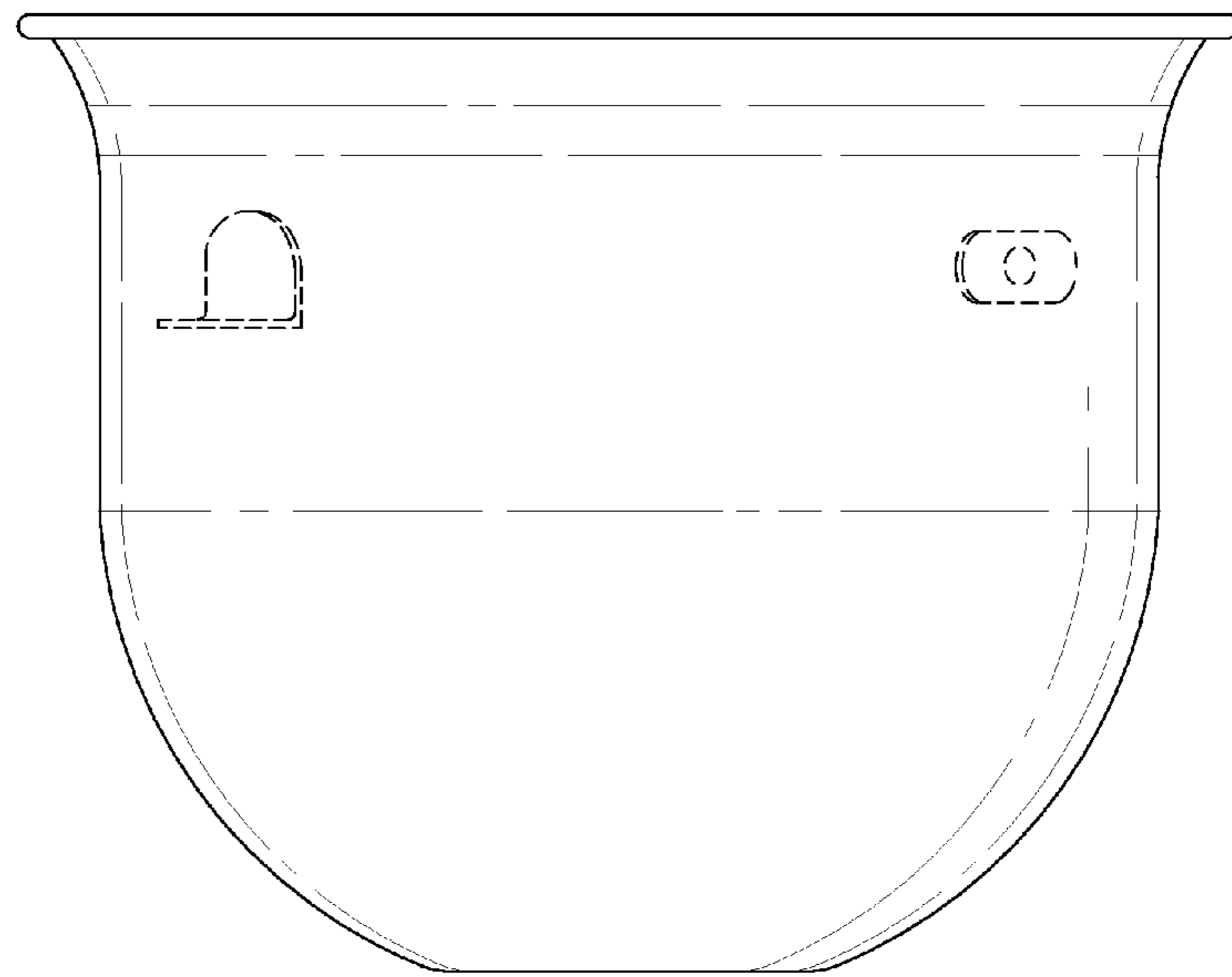


Fig. 3

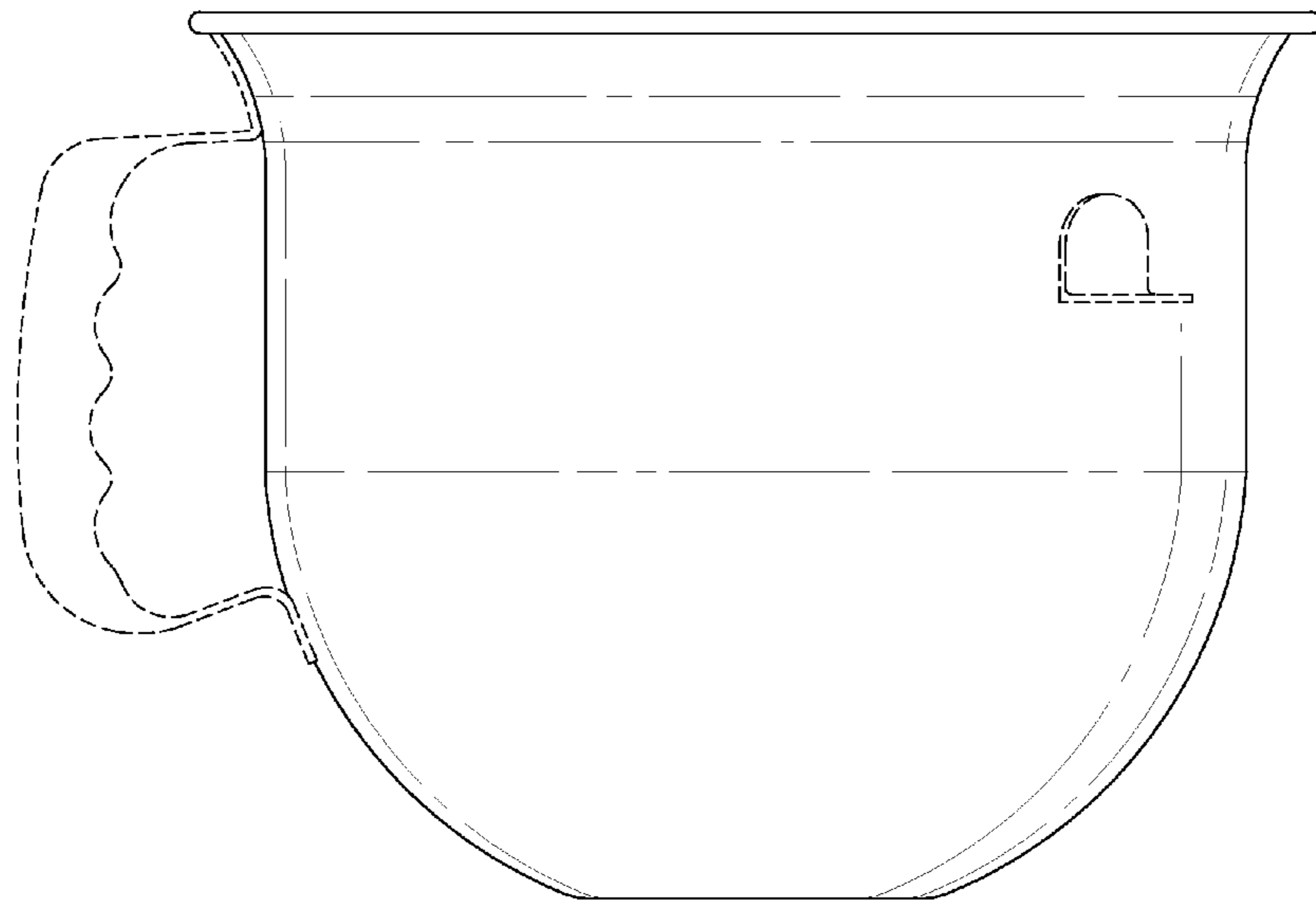


Fig. 4

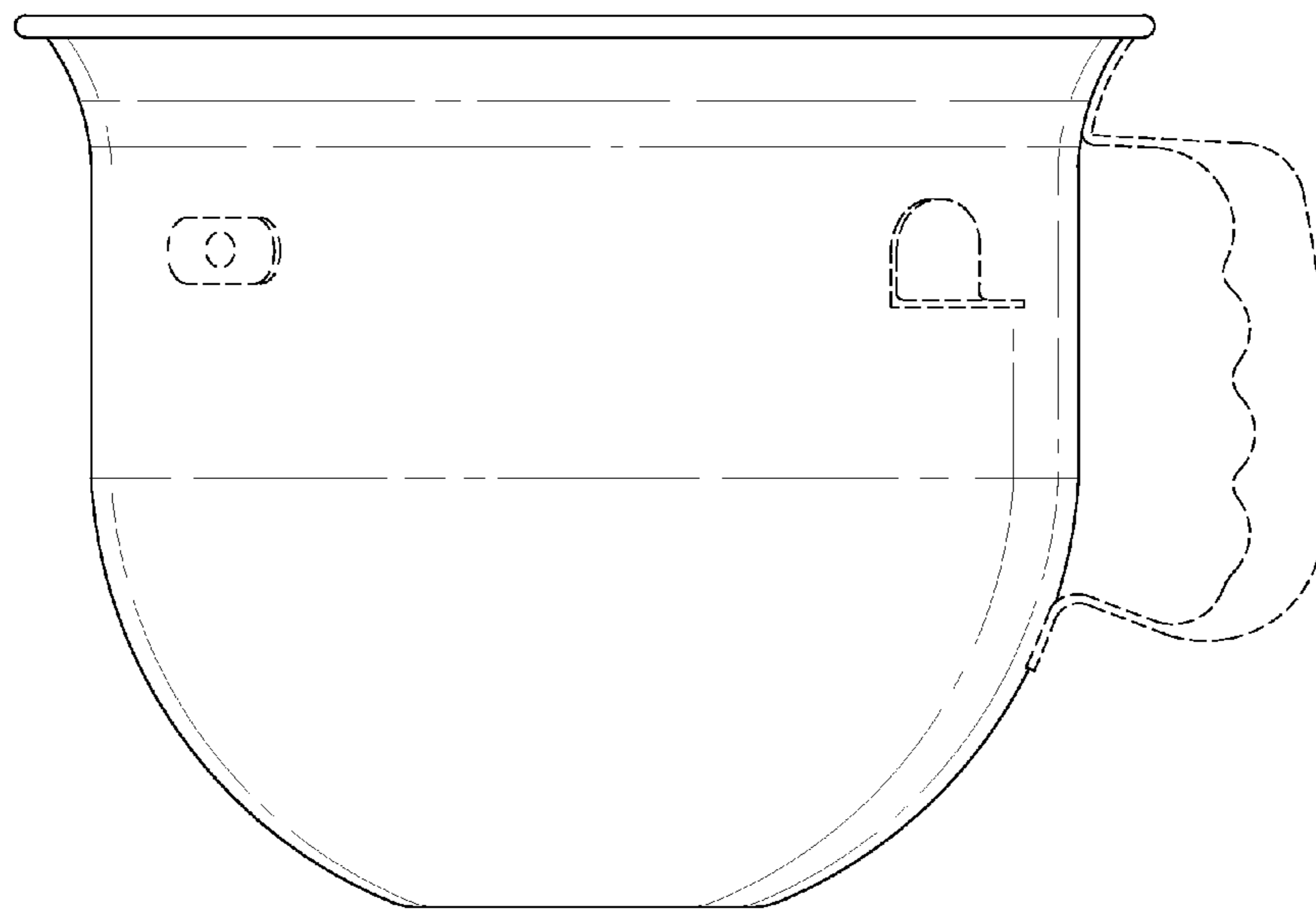


Fig. 5

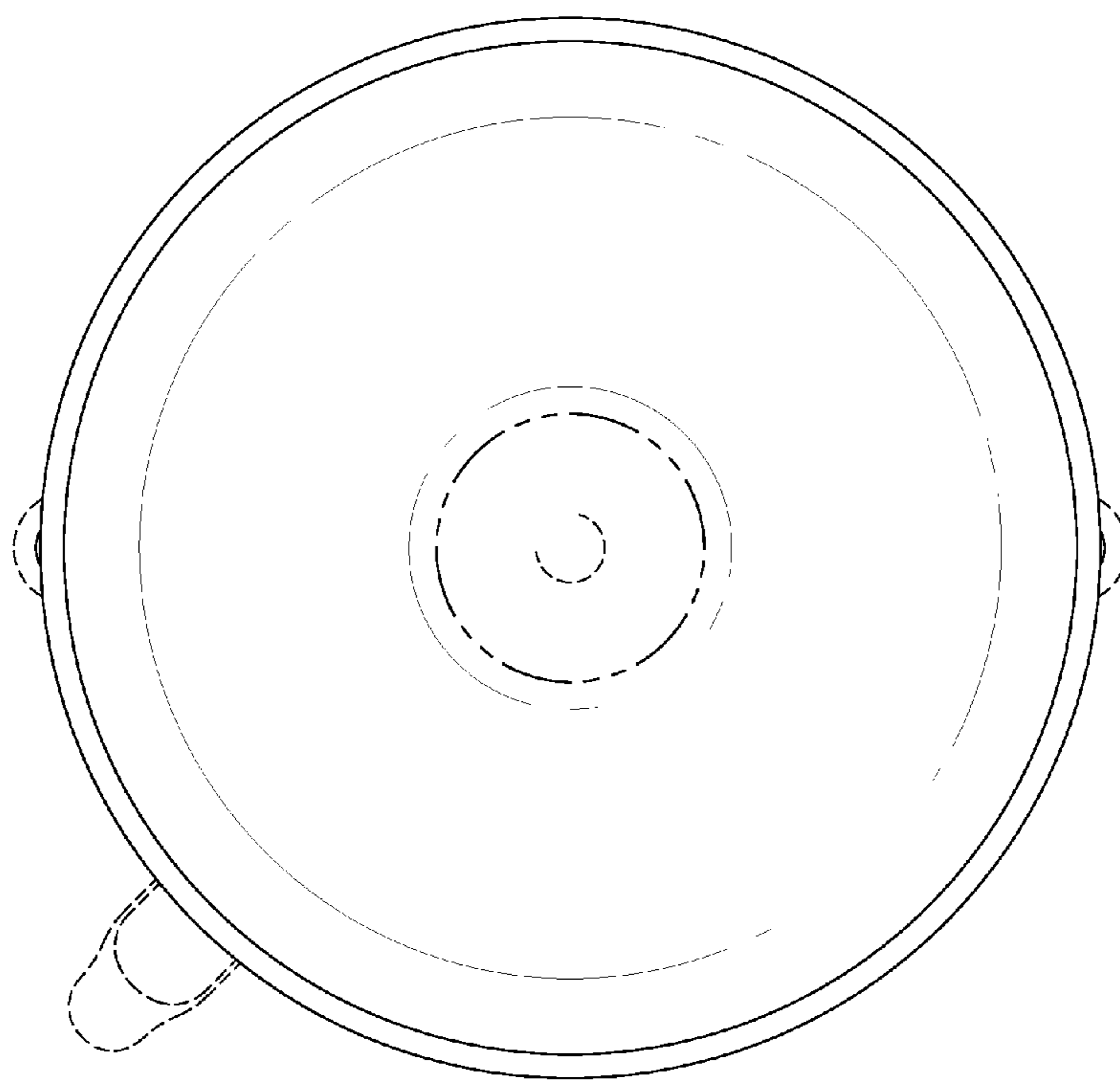


Fig. 6

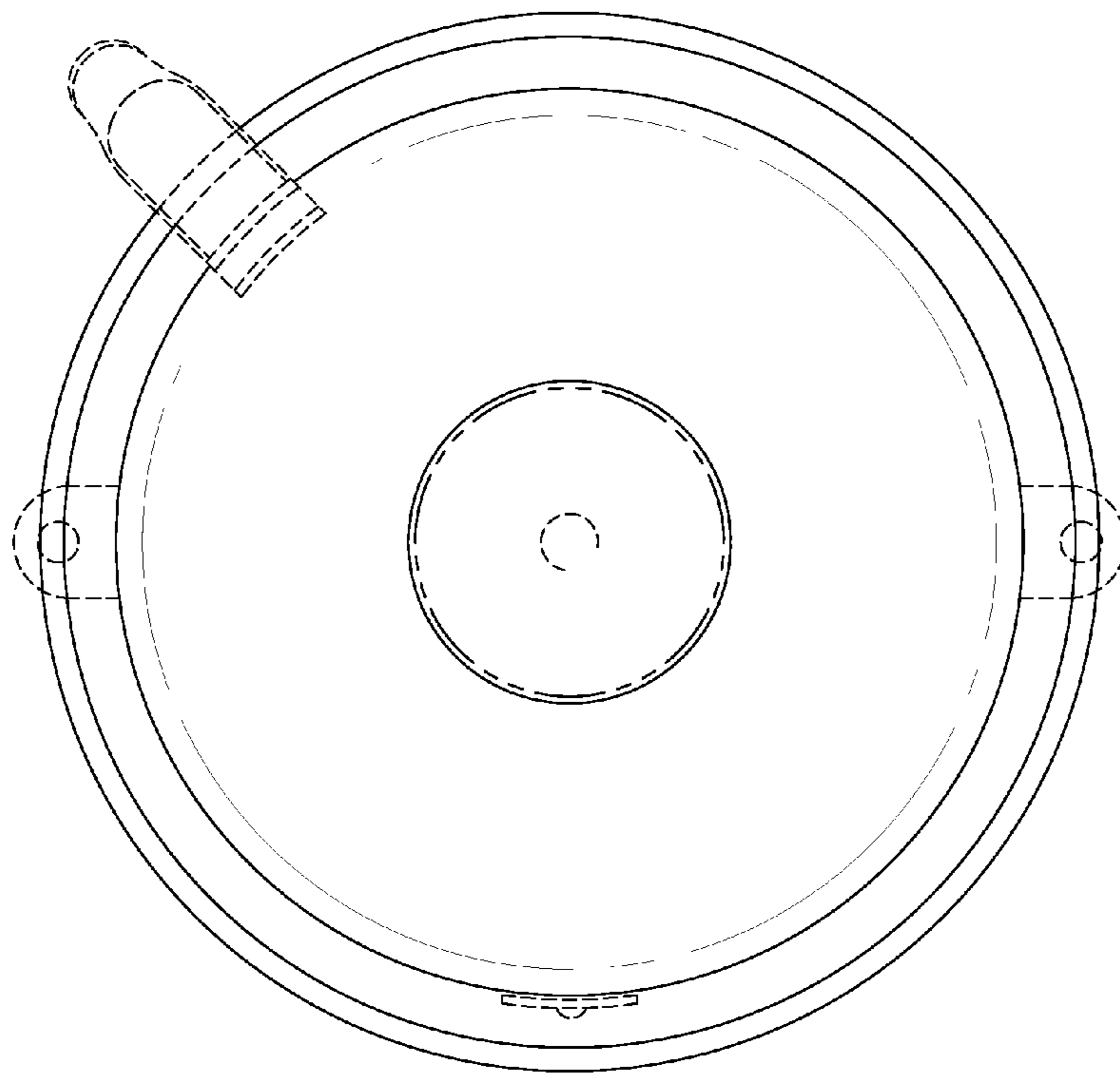


Fig. 7