



US00D668914S

(12) **United States Design Patent**
Riedel et al.

(10) **Patent No.:** **US D668,914 S**

(45) **Date of Patent:** **** Oct. 16, 2012**

(54) **CUP**
(75) Inventors: **Richard P. Riedel**, Blaine, MN (US);
Amanda Miller, Minneapolis, MN (US)
(73) Assignee: **Target Brands, Inc.**, Minneapolis, MN
(US)
(**) Term: **14 Years**

6,921,179 B2 7/2005 Diak Ghanem
7,172,668 B2 2/2007 Key
D548,534 S * 8/2007 Sullivan D7/608
D558,515 S * 1/2008 Holub D7/396.2
D595,540 S * 7/2009 Pickering et al. D9/669
D608,147 S * 1/2010 Sykes D7/507
D616,706 S 6/2010 Bofinger
D640,094 S * 6/2011 Carlson et al. D7/510
D648,985 S * 11/2011 Chiu et al. D7/510

(21) Appl. No.: **29/401,227**
(22) Filed: **Sep. 8, 2011**
(51) **LOC (9) Cl.** **07-01**
(52) **U.S. Cl.** **D7/510**
(58) **Field of Classification Search** D7/510,
D7/532, 507, 511; 215/388
See application file for complete search history.

OTHER PUBLICATIONS

<http://www.google.com>, Internet Search for “Straw Cup” as performed on Jun. 1, 2011, 24 pages.
“Ty Pennington Style Kids’ Waterfilled Seahorse Straw Cup,” http://www.sears.com/shc/s/p_10153_12605_02471192000P, Nov. 3, 2010, 1 page.
“Country Living Pig Straw Cup,” http://www.sears.com/shc/s/p_10153_12605_011W030545410001P?i_cnr=1315511829930, Feb. 6, 2011, 1 page.

* cited by examiner

(56) **References Cited**

U.S. PATENT DOCUMENTS

4,121,835 A * 10/1978 Garabedian 369/68
4,273,245 A 6/1981 Hartinger Machalek
4,877,119 A 10/1989 Hosking
5,011,009 A 4/1991 Scheurer
D340,836 S * 11/1993 Cautereels D7/511
5,361,934 A 11/1994 Spence, Jr.
D354,202 S * 1/1995 Smith et al. D7/619.1
5,400,907 A 3/1995 Chen
5,644,298 A 7/1997 Brooks et al.
5,809,674 A 9/1998 Key
5,839,581 A 11/1998 Vagedes
5,845,777 A 12/1998 Najmi
6,129,802 A 10/2000 Key
6,212,803 B1 4/2001 Key
6,308,846 B1 10/2001 Mueller
6,352,168 B1 3/2002 Lin
6,564,962 B1 5/2003 Cheng
D476,193 S * 6/2003 Janky D7/510
D477,752 S * 7/2003 Slater et al. D7/608
D481,316 S * 10/2003 Hook D9/445
D494,064 S * 8/2004 Hook D9/445

Primary Examiner — Cynthia Underwood

(74) *Attorney, Agent, or Firm* — Griffiths & Seaton PLLC

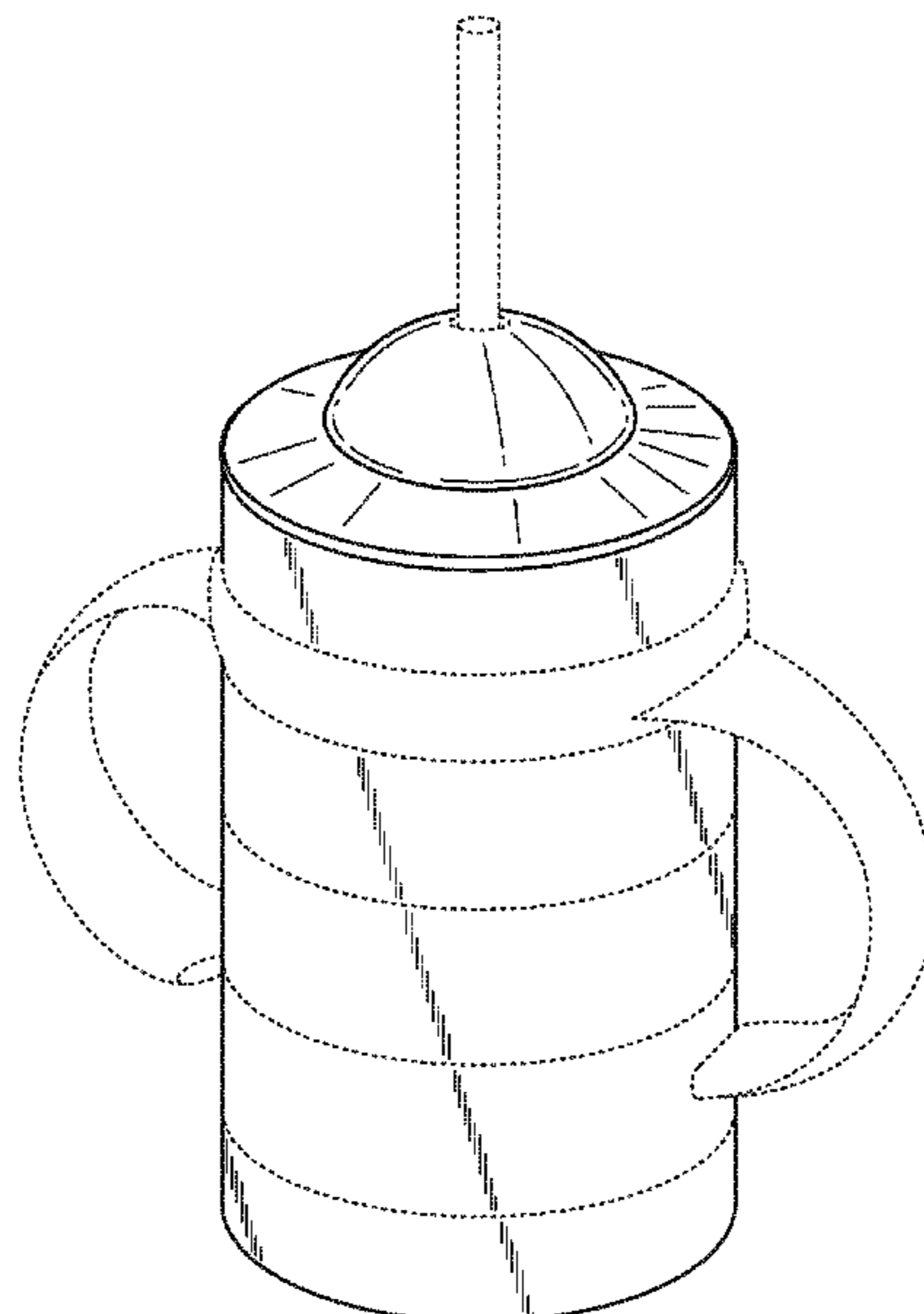
(57) **CLAIM**

The ornamental design for a cup, as shown and described.

DESCRIPTION

FIG. 1 is a front, perspective view of a cup showing our new design;
FIG. 2 is a front view thereof, the rear view being identical to the front view;
FIG. 3 is a right side view thereof, the left side view being identical to the right side view;
FIG. 4 is a top view thereof; and,
FIG. 5 is a bottom view thereof.
The features shown in broken lines depict environmental subject matter only and form no part of the claimed design.

1 Claim, 4 Drawing Sheets



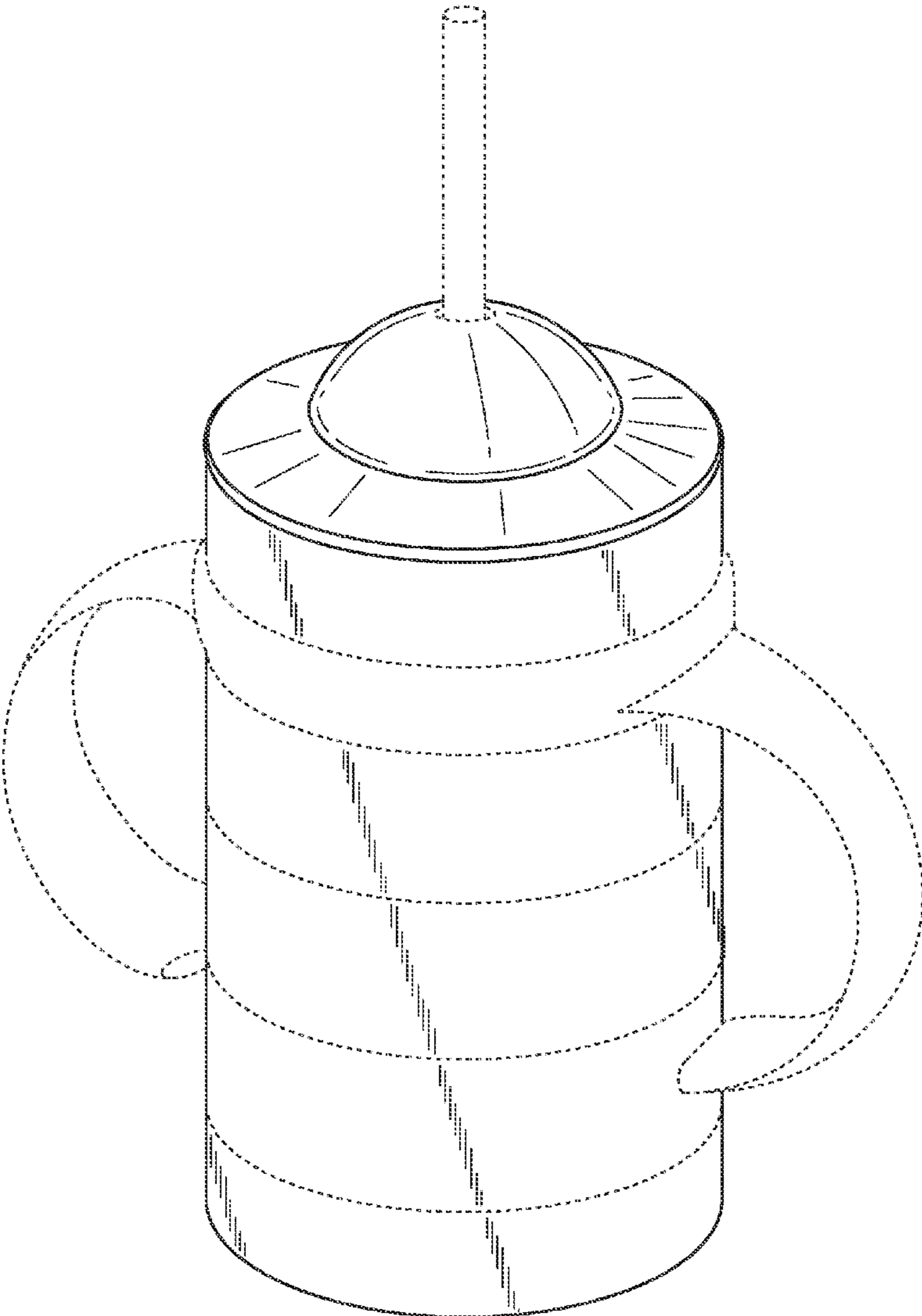


FIG. 1

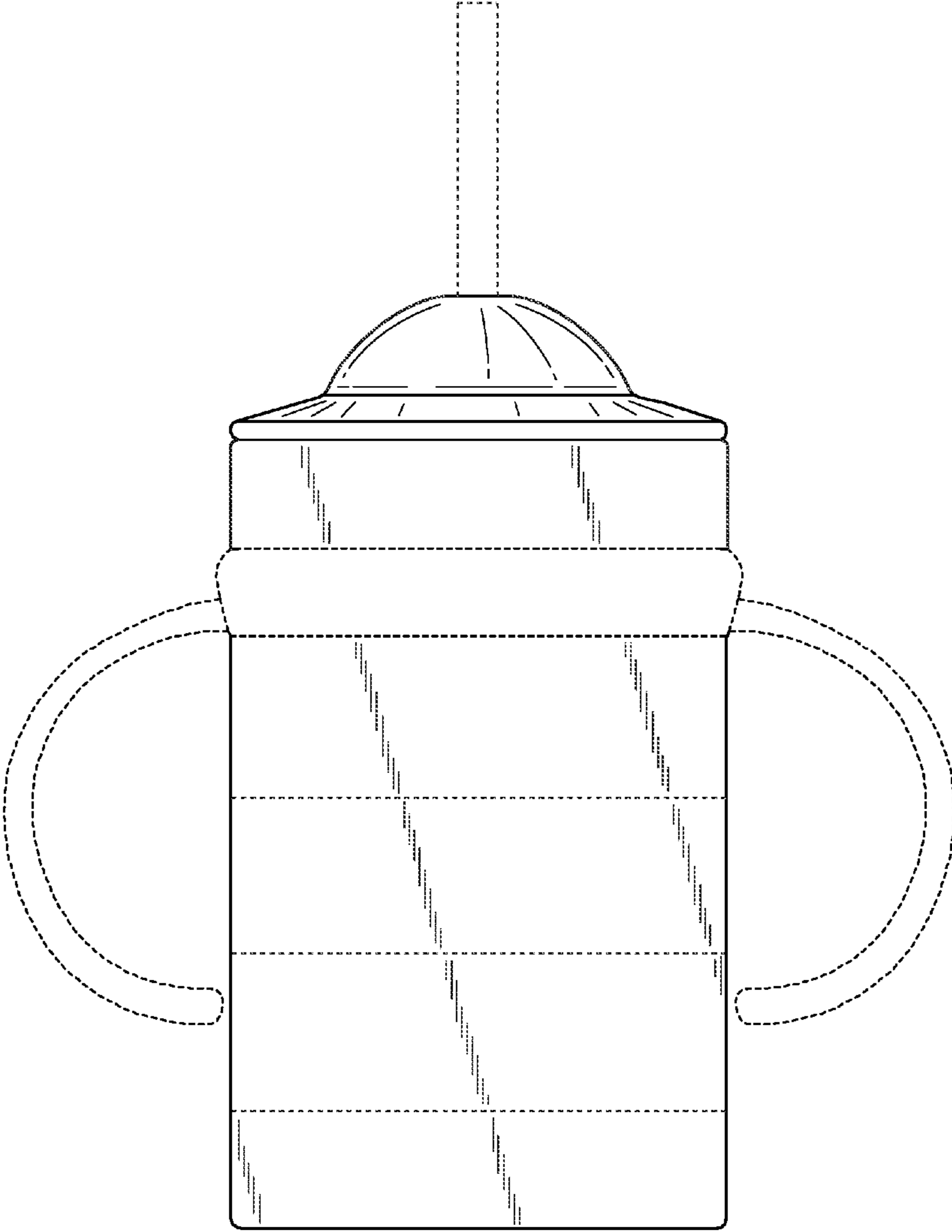


FIG. 2

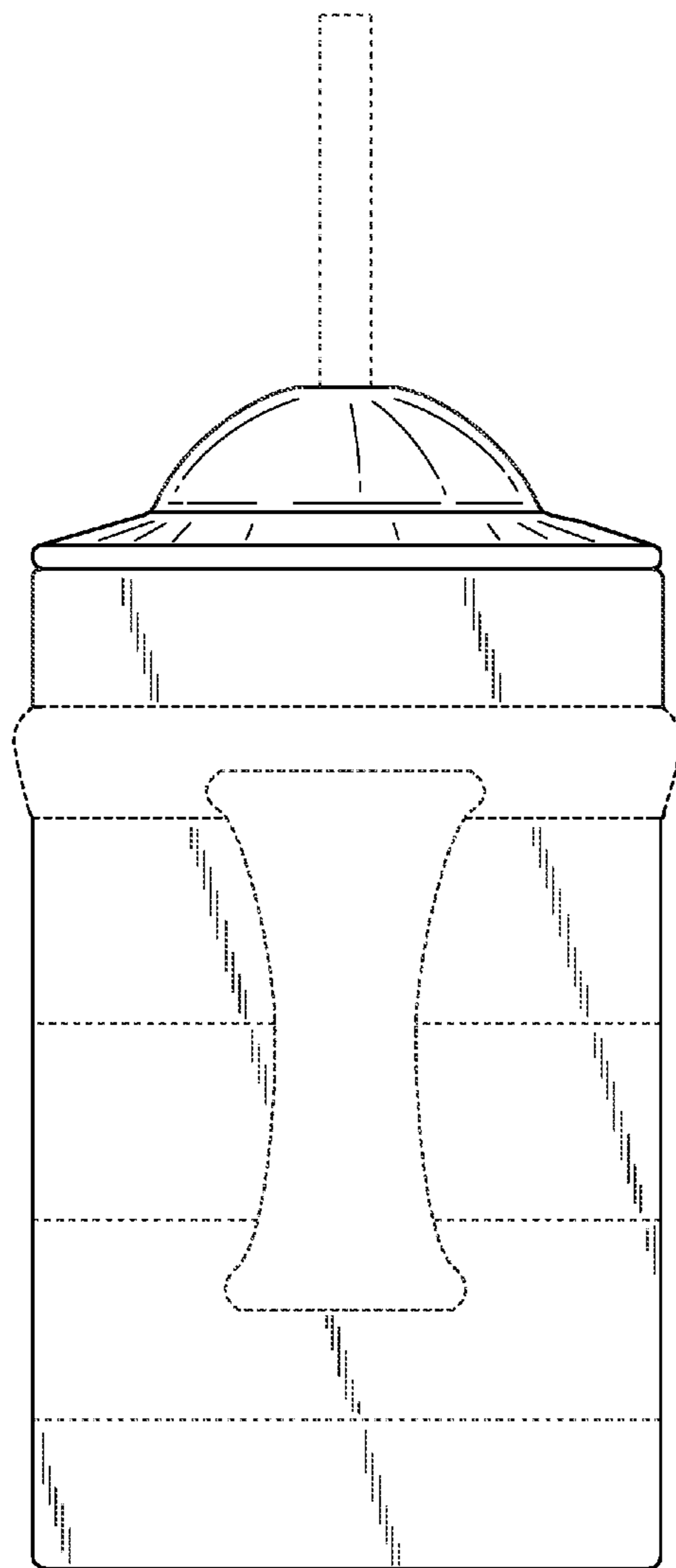


FIG. 3

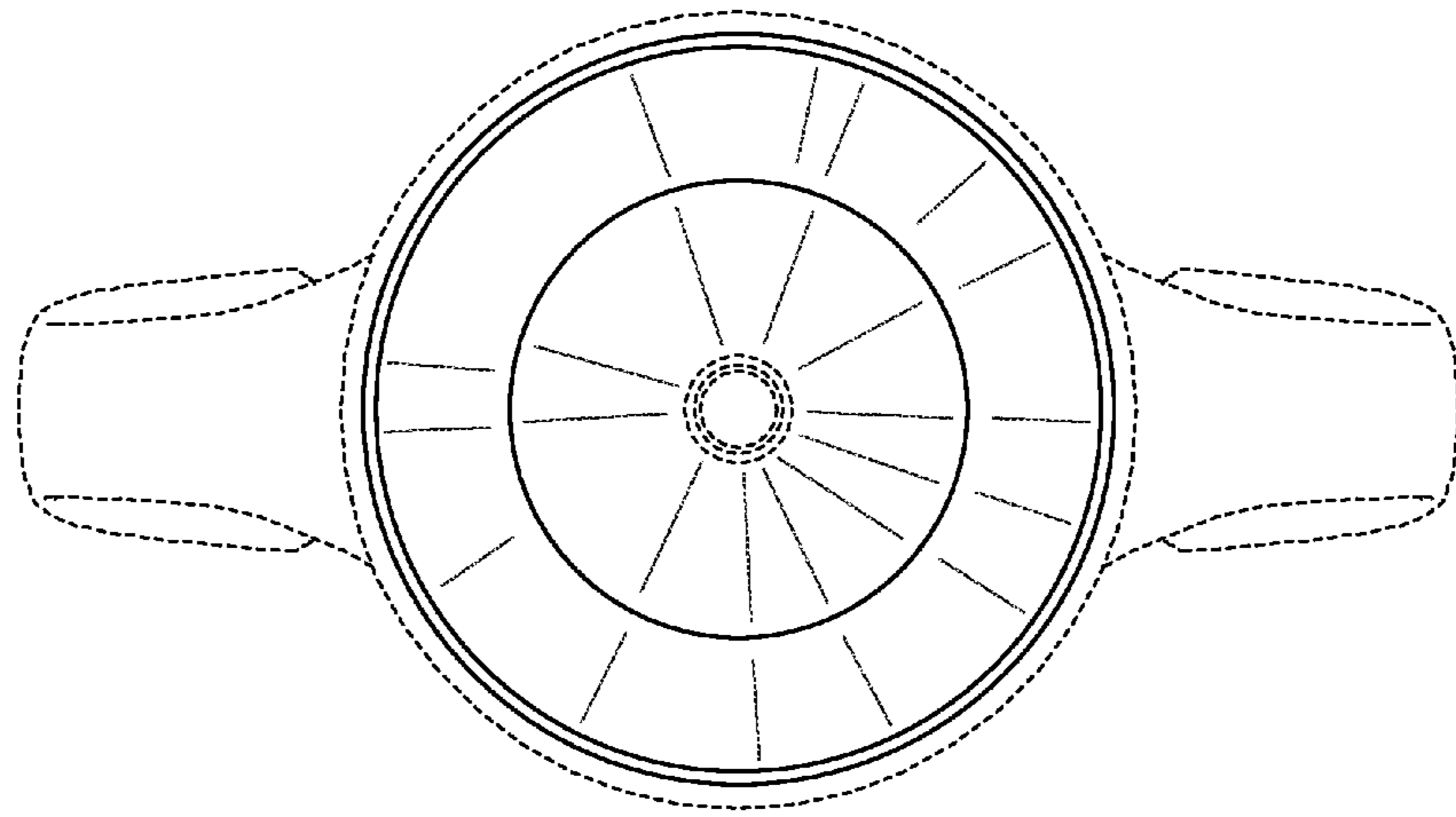


FIG. 4

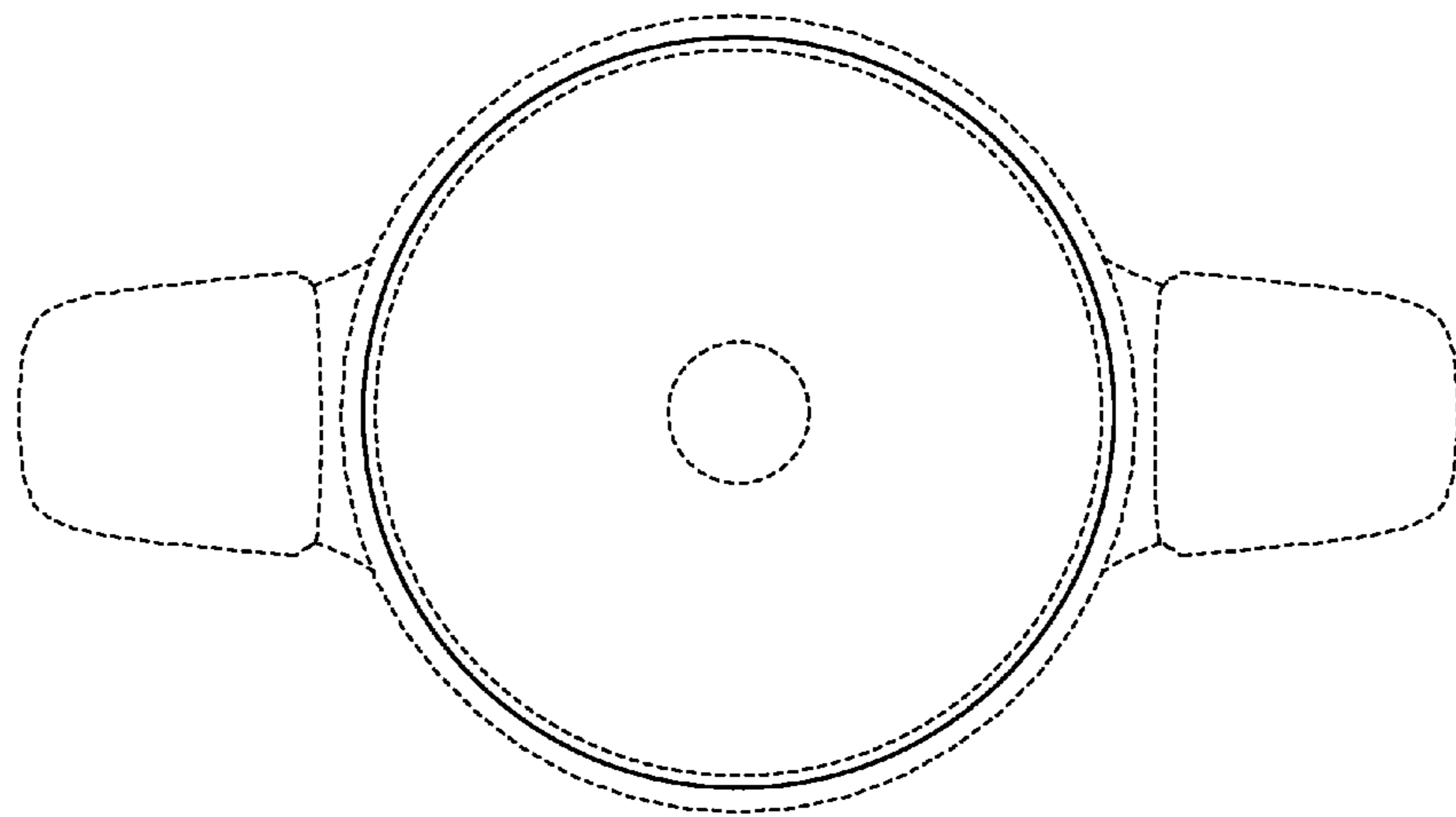


FIG. 5