



US00D668906S

(12) **United States Design Patent**  
**Lavy et al.**

(10) **Patent No.:** **US D668,906 S**  
(45) **Date of Patent:** **\*\* Oct. 16, 2012**

(54) **COOKER**

(76) Inventors: **Danny Lavy**, Westmount (CA); **Shae Hong**, New York, NY (US)

(\*\*) Term: **14 Years**

(21) Appl. No.: **29/383,313**

(22) Filed: **Jan. 14, 2011**

(51) **LOC (9) Cl.** ..... **07-02**

(52) **U.S. Cl.** ..... **D7/352; D7/362; D7/364**

(58) **Field of Classification Search** ..... D7/323,  
D7/328-332, 334-341, 347-348, 350.1, 351-363;  
D10/106.6; 99/324-325, 331, 339-340,  
99/349, 353, 358, 369, 372-377, 380-389,  
99/392, 425, 444; 30/303; 219/386, 524-525,  
219/620-622, 732-734; 425/293, 299-300,  
425/346; 426/549

See application file for complete search history.

(56) **References Cited**

**U.S. PATENT DOCUMENTS**

|           |     |         |                |         |
|-----------|-----|---------|----------------|---------|
| 1,476,376 | A   | 12/1923 | Shroyer        |         |
| 1,769,045 | A   | 7/1930  | Strite         |         |
| 1,900,619 | A   | 3/1933  | Snyder         |         |
| 2,780,181 | A * | 2/1957  | Roman et al.   | 425/299 |
| 2,791,960 | A   | 5/1957  | Pietropinto    |         |
| 3,669,006 | A   | 6/1972  | Lee, Sr.       |         |
| 3,696,734 | A   | 10/1972 | Beasley et al. |         |
| 3,719,507 | A * | 3/1973  | Bardeau        | 99/375  |
| 3,948,159 | A * | 4/1976  | Vigerstrom     | 99/358  |
| 4,055,892 | A * | 11/1977 | Del Vecchio    | 30/303  |
| 4,150,609 | A   | 4/1979  | McClellan      |         |
| 4,206,345 | A * | 6/1980  | Maass et al.   | 219/524 |
| D262,425  | S * | 12/1981 | Thelander      | D7/357  |
| D262,430  | S * | 12/1981 | Thelander      | D7/357  |
| 4,386,557 | A   | 6/1983  | Meraj et al.   |         |
| D275,925  | S   | 10/1984 | Bowen et al.   |         |

|           |     |         |                |        |
|-----------|-----|---------|----------------|--------|
| D299,609  | S   | 1/1989  | Madl           |        |
| 5,129,313 | A   | 7/1992  | Coppier        |        |
| 5,253,565 | A * | 10/1993 | Burton         | 99/374 |
| 5,255,595 | A   | 10/1993 | Higgins        |        |
| D347,548  | S   | 6/1994  | Boehm et al.   |        |
| 5,363,748 | A   | 11/1994 | Boehm et al.   |        |
| 5,613,426 | A   | 3/1997  | Chan Gabbai    |        |
| 5,615,604 | A   | 4/1997  | Chenglin       |        |
| D379,733  | S   | 6/1997  | Liu et al.     |        |
| D384,546  | S   | 10/1997 | Lin            |        |
| 5,809,871 | A   | 9/1998  | Arathoon       |        |
| D409,876  | S   | 5/1999  | Gruaz          |        |
| D411,937  | S   | 7/1999  | Siegler et al. |        |

(Continued)

*Primary Examiner* — Ricky Pham

(74) *Attorney, Agent, or Firm* — Husch Blackwell LLP

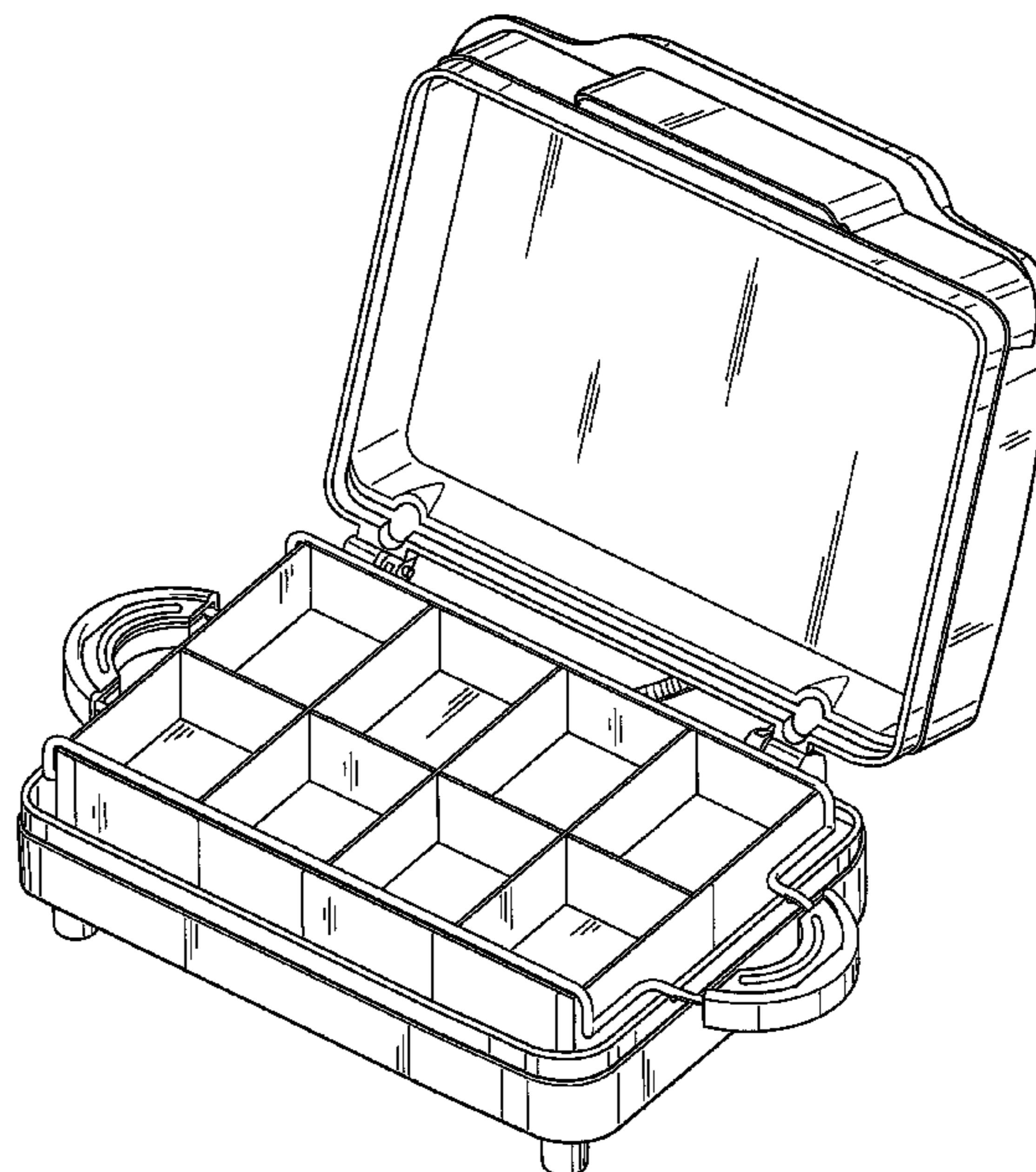
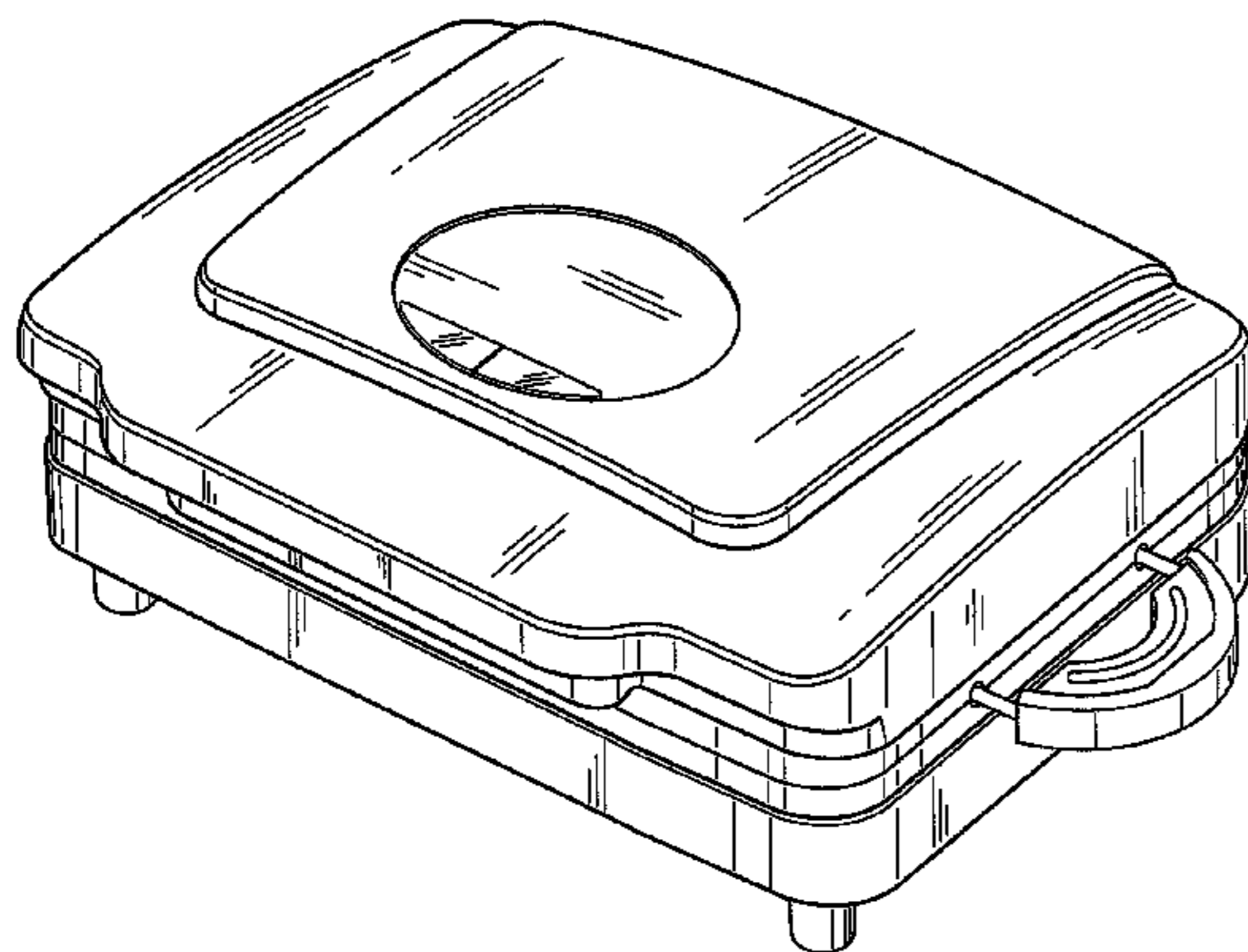
(57) **CLAIM**

The ornamental design for a cooker, substantially as shown and described.

**DESCRIPTION**

FIG. 1 is a perspective view of the cooker in a closed position in accordance with the present invention;  
 FIG. 2 is a left side view of the cooker shown in FIG. 1;  
 FIG. 3 is a right side view of the cooker shown in FIG. 1;  
 FIG. 4 is a front view of the cooker shown in FIG. 1;  
 FIG. 5 is a rear view of the cooker shown in FIG. 1.  
 FIG. 6 is a top view of the cooker shown in FIG. 1.  
 FIG. 7 is a bottom view of the cooker shown in FIG. 1.  
 FIG. 8 is a perspective view of the cooker shown in FIG. 1 in an open position.  
 FIG. 9 is a front view of the cooker shown in FIG. 1 in an open position; and,  
 FIG. 10 is a top view of the cooker shown in FIG. 1 in an open position.

**1 Claim, 7 Drawing Sheets**



# US D668,906 S

Page 2

| U.S. PATENT DOCUMENTS |         |                |                   |         |                             |
|-----------------------|---------|----------------|-------------------|---------|-----------------------------|
| D413,760 S            | 9/1999  | Tsai et al.    | 7,316,555 B2 *    | 1/2008  | Hubener ..... 425/300       |
| D419,823 S            | 2/2000  | Choi           | D575,577 S        | 8/2008  | Chao                        |
| D439,796 S            | 4/2001  | Edwards et al. | D583,186 S        | 12/2008 | Barnes                      |
| D446,074 S            | 8/2001  | Barker         | D589,294 S *      | 3/2009  | Averty ..... D7/356         |
| 6,369,366 B1          | 4/2002  | Mullen         | D594,693 S        | 6/2009  | Hsu                         |
| 6,427,581 B1          | 8/2002  | Wu             | D594,695 S        | 6/2009  | Lin                         |
| 6,429,409 B1          | 8/2002  | Siu            | D602,732 S        | 10/2009 | Busse et al.                |
| D462,566 S            | 9/2002  | Wu             | D610,864 S        | 3/2010  | Whitcombe                   |
| D463,950 S            | 10/2002 | Wu             | 7,770,751 B2      | 8/2010  | Henry et al.                |
| D464,230 S            | 10/2002 | Wu             | 7,872,213 B2      | 1/2011  | De Leon et al.              |
| D467,766 S            | 12/2002 | Wanat et al.   | D638,260 S        | 5/2011  | Lin                         |
| 6,595,114 B1          | 7/2003  | Endres et al.  | D642,008 S        | 7/2011  | Lavy et al.                 |
| D488,342 S            | 4/2004  | Endres et al.  | D642,420 S        | 8/2011  | Lavy et al.                 |
| D492,538 S            | 7/2004  | Cheng          | D643,243 S *      | 8/2011  | Harrod ..... D7/352         |
| D493,663 S            | 8/2004  | Lin et al.     | D643,673 S        | 8/2011  | Lavy et al.                 |
| D504,047 S            | 4/2005  | Schmidt et al. | D643,676 S        | 8/2011  | Lavy et al.                 |
| 6,889,602 B2          | 5/2005  | Brady et al.   | D643,677 S        | 8/2011  | Lavy et al.                 |
| D510,864 S            | 10/2005 | Morris et al.  | D643,678 S        | 8/2011  | Lavy et al.                 |
| D522,306 S            | 6/2006  | Wilgus et al.  | D645,772 S *      | 9/2011  | Brown et al. .... D10/106.6 |
| 7,064,298 B2          | 6/2006  | Li             | 2006/0201333 A1   | 9/2006  | Friel, Sr. et al.           |
| D543,410 S            | 5/2007  | Cohen et al.   | 2006/0272162 A1 * | 12/2006 | Atwater et al. .... 30/303  |
| D549,516 S            | 8/2007  | Since et al.   | 2006/0272511 A1   | 12/2006 | Dreimann et al.             |
| D550,026 S            | 9/2007  | Chao           | 2010/0313769 A1   | 12/2010 | Henry et al.                |
| 7,285,751 B2          | 10/2007 | Li             | 2011/0027435 A1   | 2/2011  | Facey et al.                |

\* cited by examiner

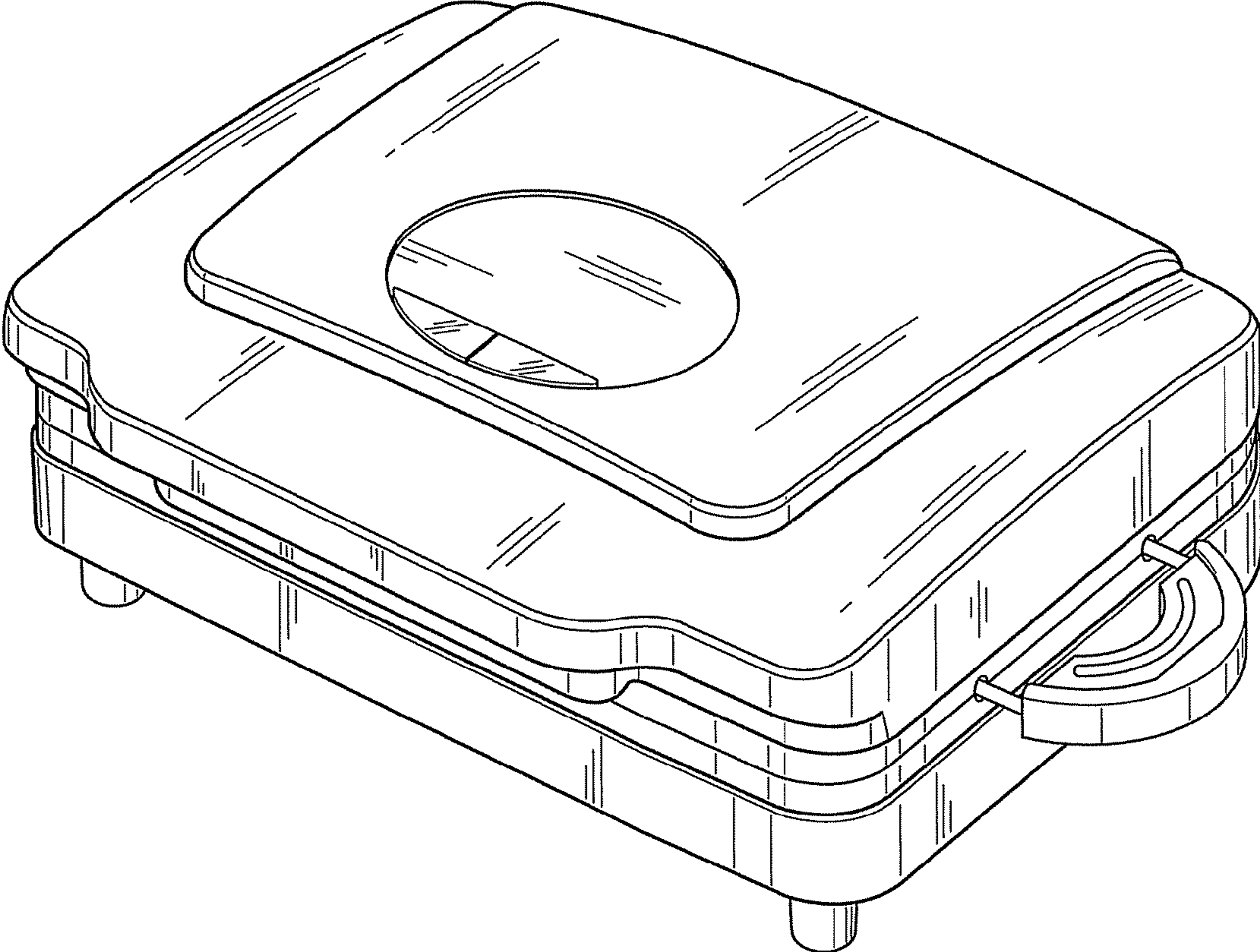


FIG. 1

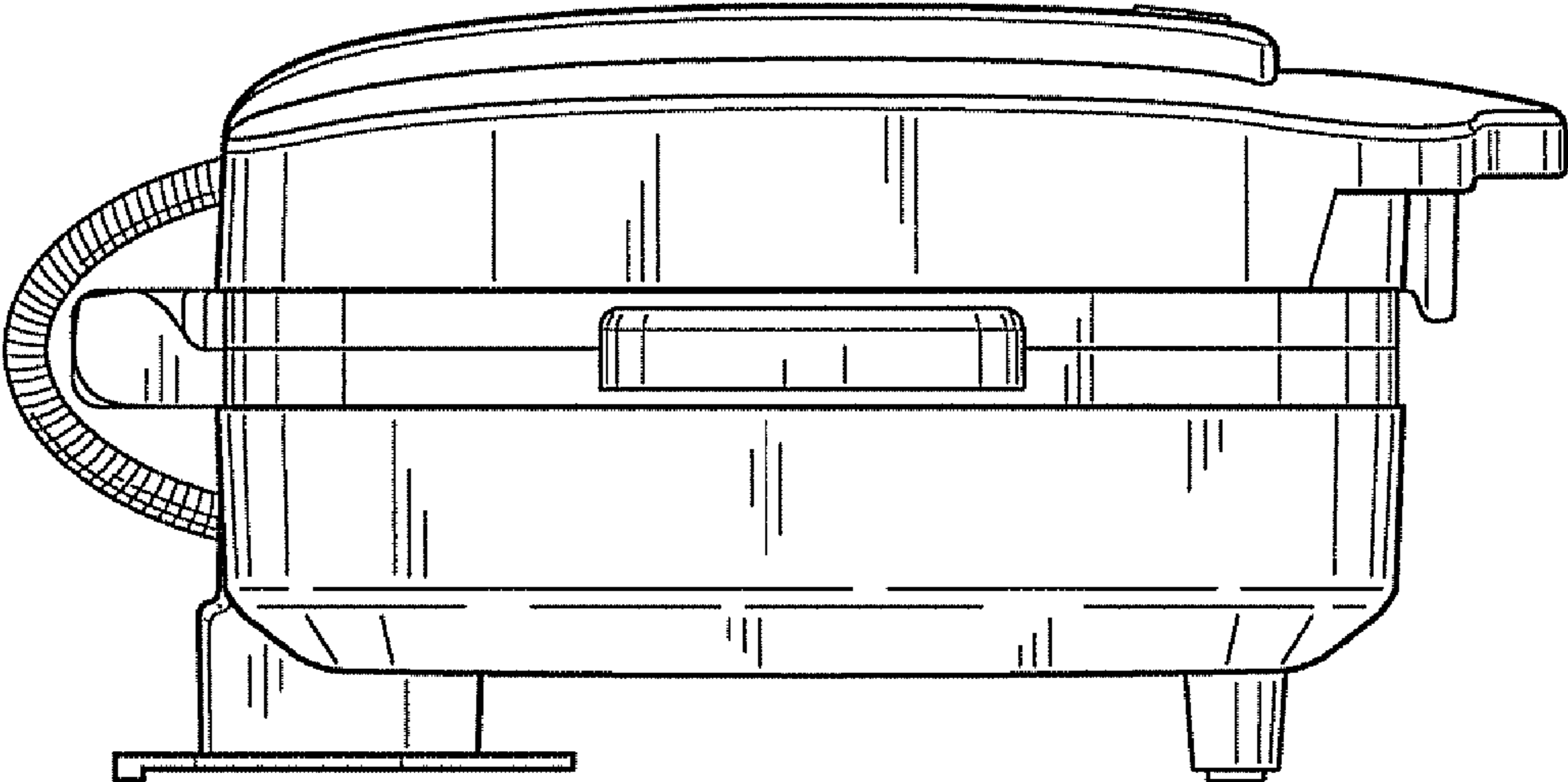


FIG. 2

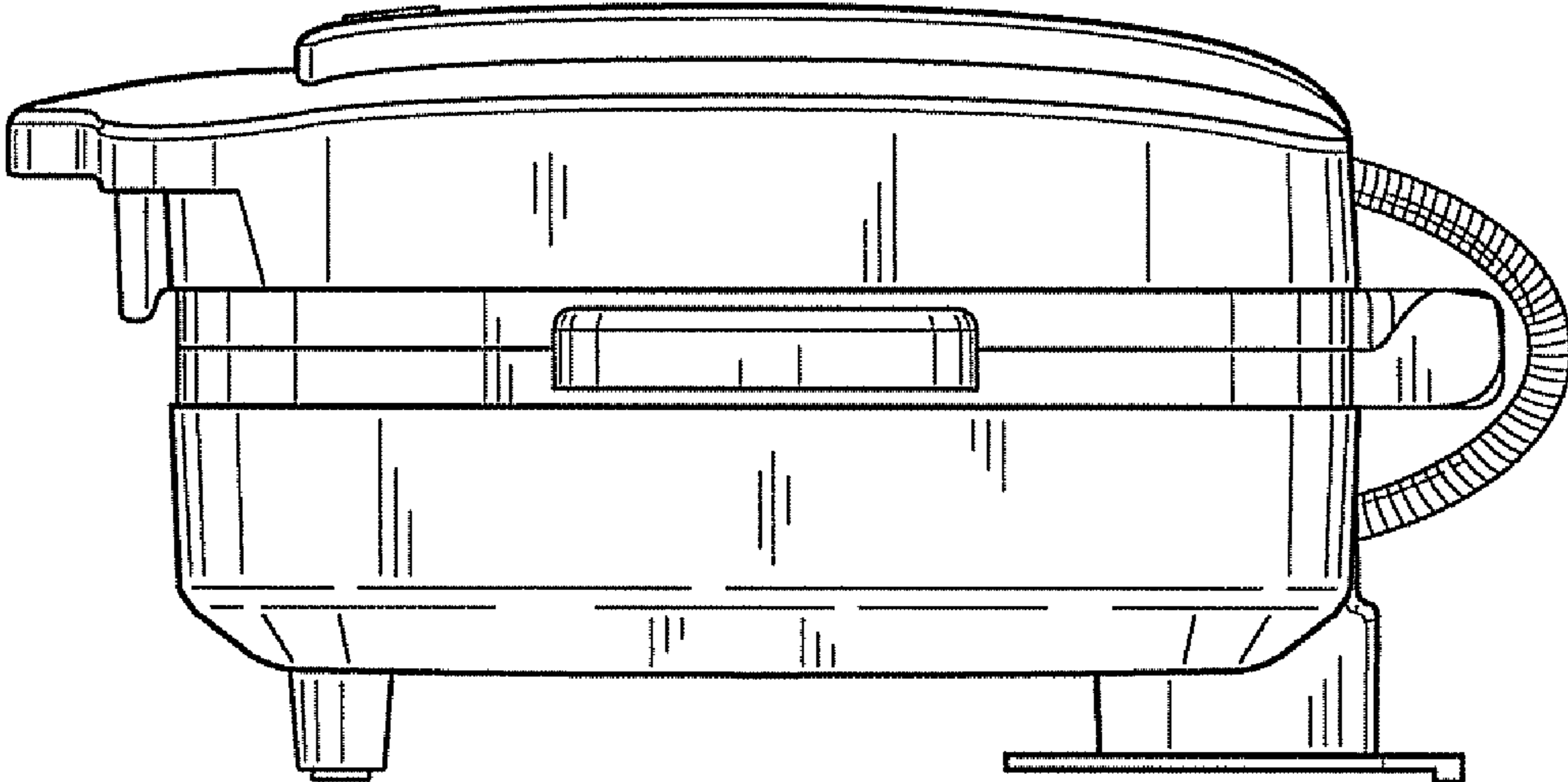


FIG. 3

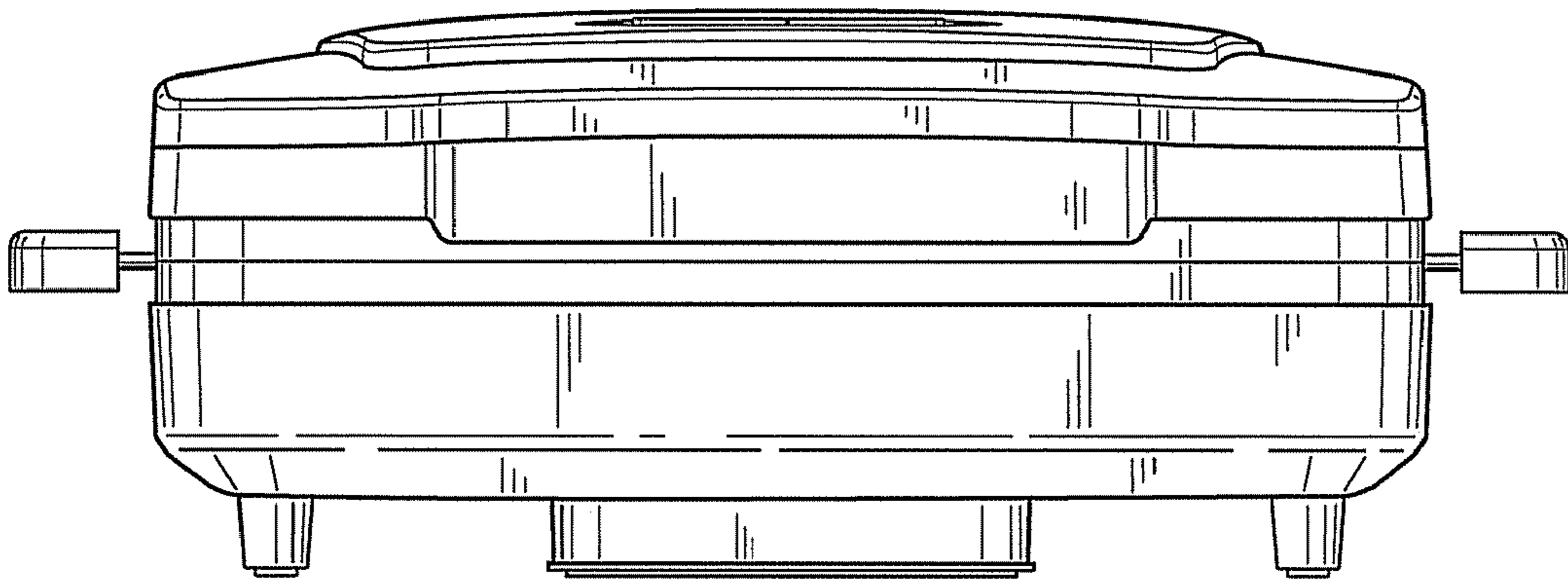


FIG. 4

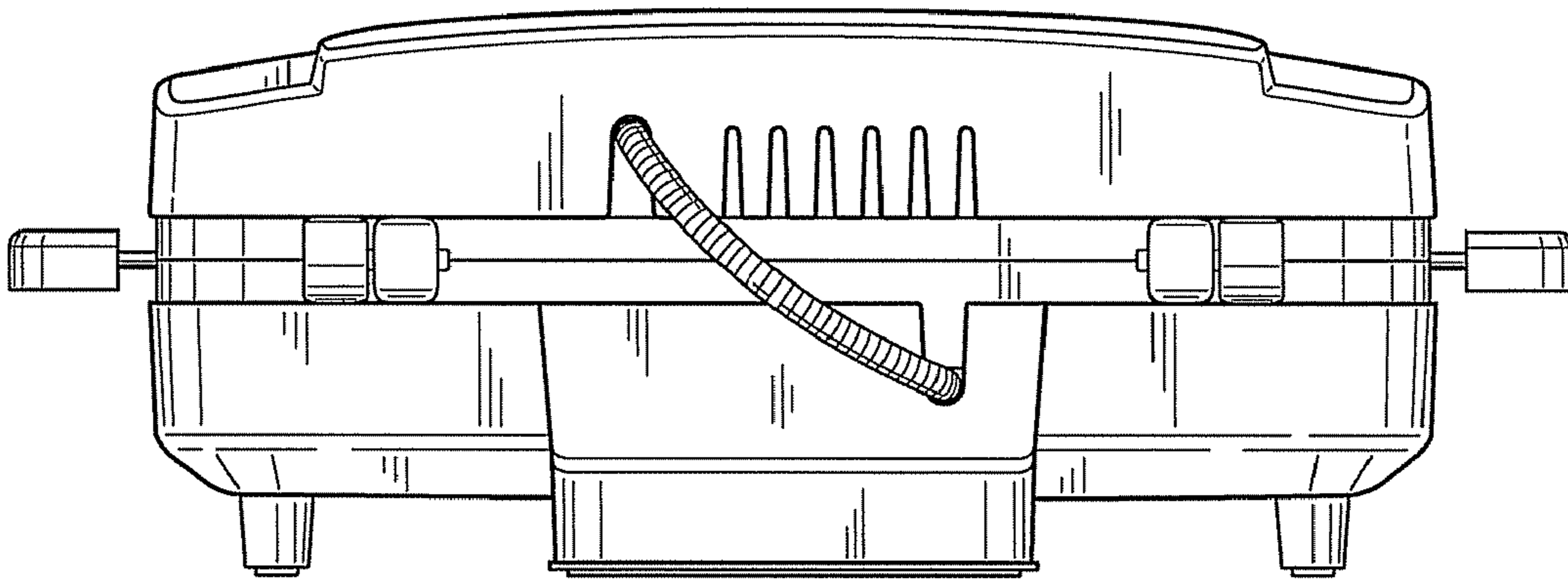


FIG. 5

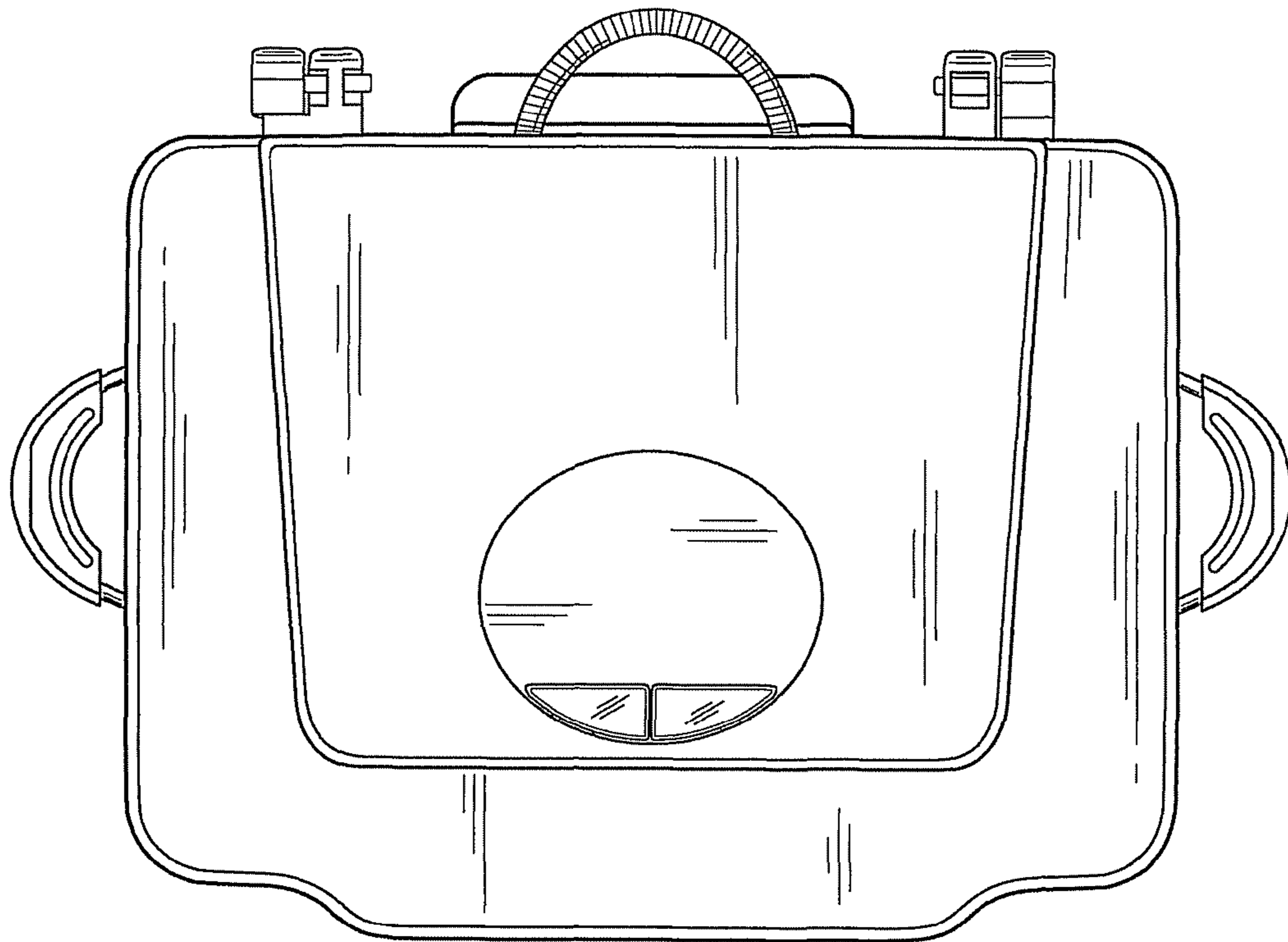


FIG. 6

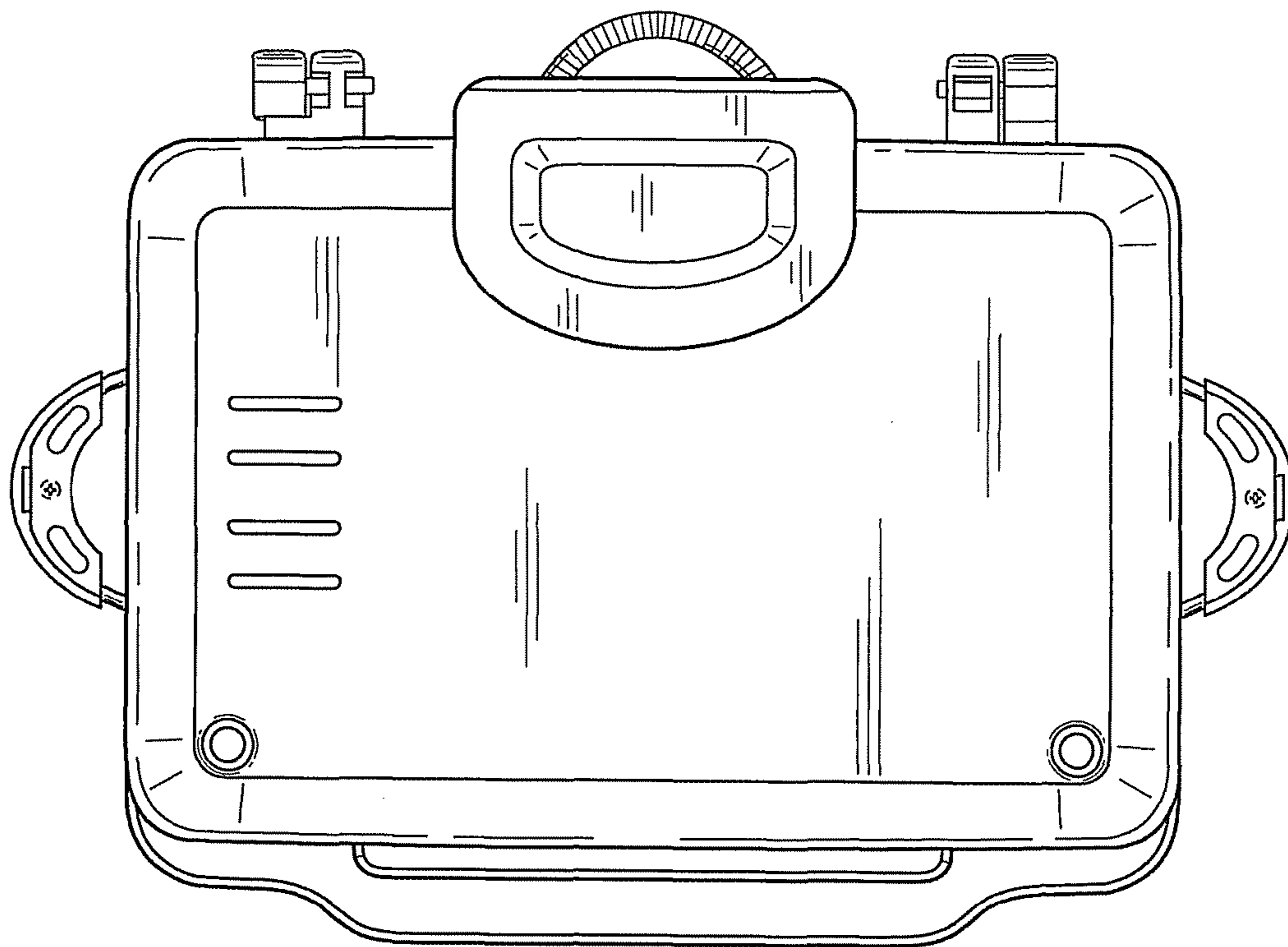


FIG. 7

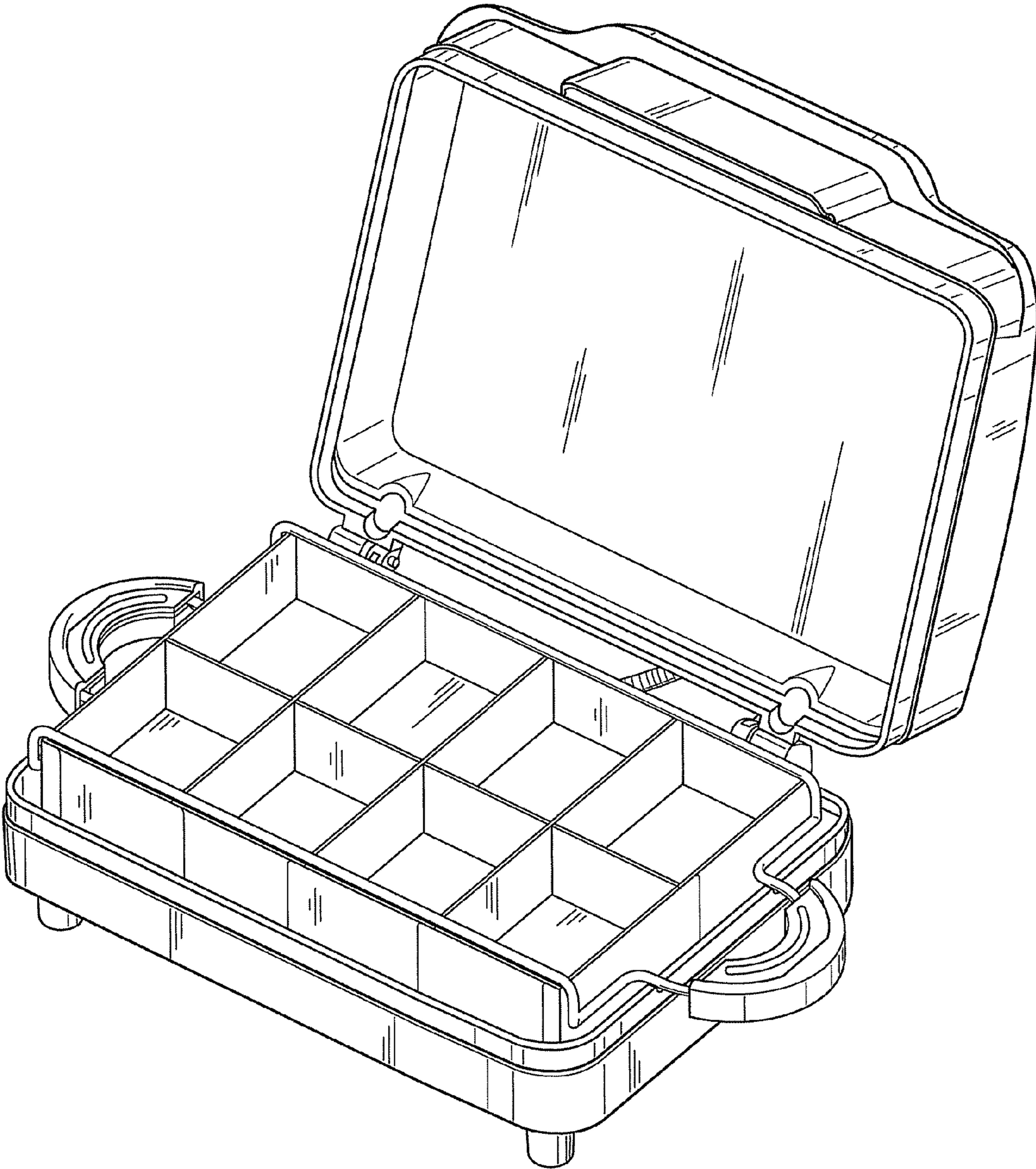


FIG. 8

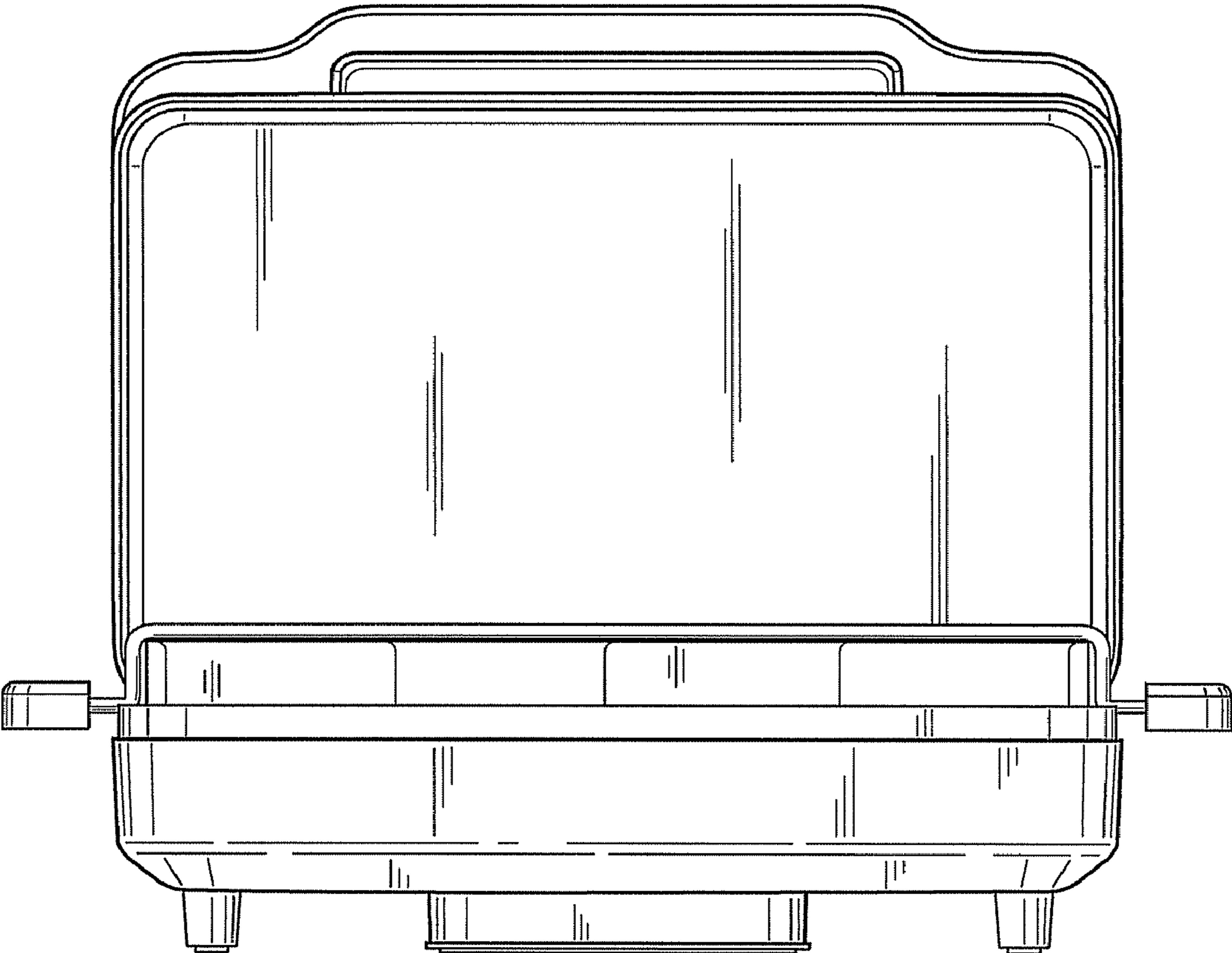


FIG. 9



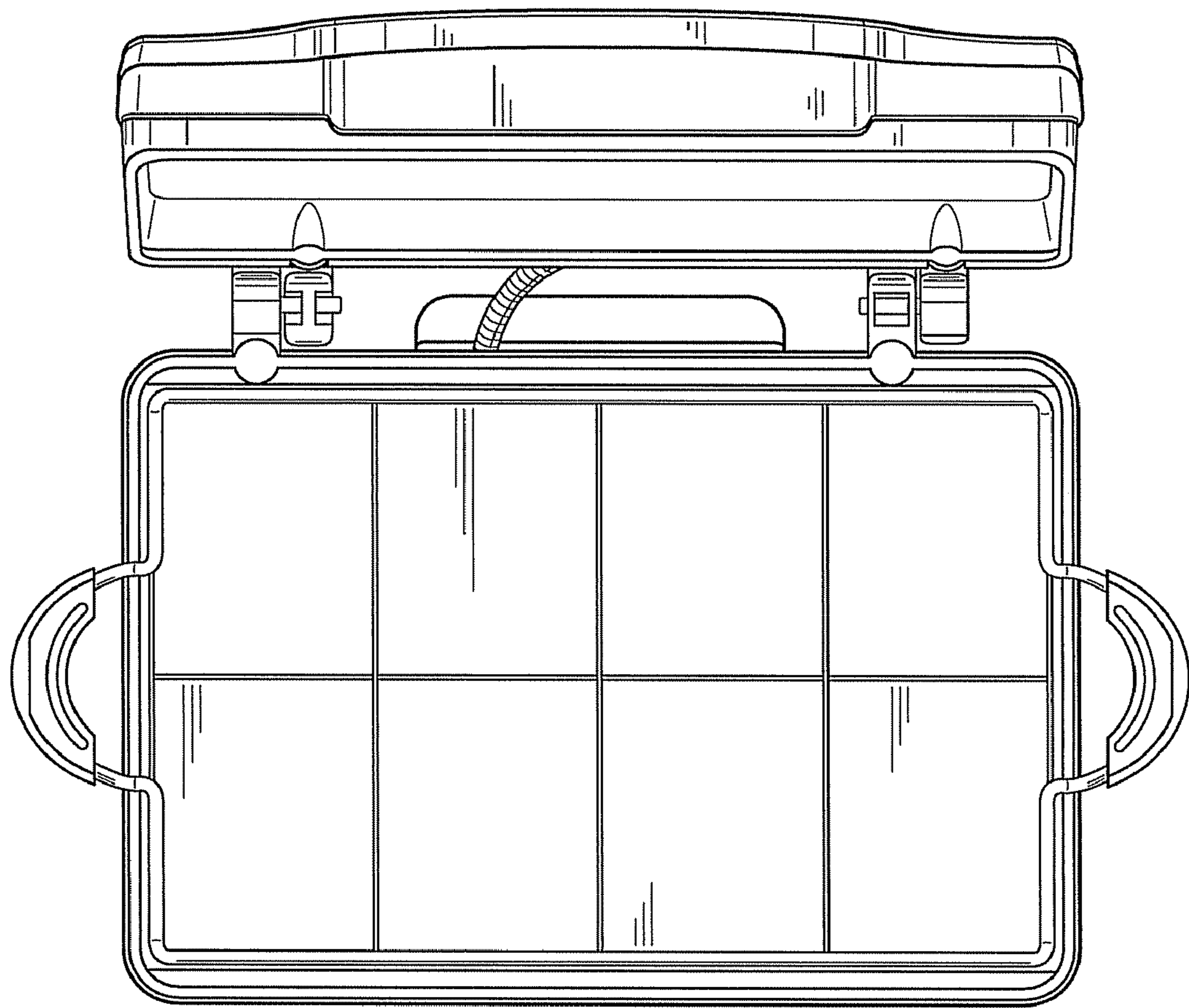


FIG. 10