

US00D668901S

(12) **United States Design Patent**
Jones et al.

(10) **Patent No.:** **US D668,901 S**
(45) **Date of Patent:** **** Oct. 16, 2012**

(54) **MULTIMEDIA TELEPHONE**

(75) Inventors: **Christopher C. Jones**, San Francisco, CA (US); **Steve I. Hwang**, San Francisco, CA (US)

(73) Assignee: **OpenPeak, Inc.**, Boca Raton, FL (US)

(**) Term: **14 Years**

(21) Appl. No.: **29/364,692**

(22) Filed: **Jun. 26, 2010**

(51) **LOC (9) Cl.** **06-10**

(52) **U.S. Cl.** **D6/575**

(58) **Field of Classification Search** D14/130, D14/140, 141, 142, 144, 147, 148, 149, 150, D14/151, 240, 250, 241, 251, 329; 379/420.01, 379/420.02, 420.03, 419, 420.04, 428.01, 379/428.02, 428.03, 428.04, 454, 440, 446, 379/434, 435, 436; D13/107, 108, 168; 320/110, 320/113, 114, 115; 361/679.56; 181/202

See application file for complete search history.

(56) **References Cited**

U.S. PATENT DOCUMENTS

D616,843 S 6/2010 Jones et al.
D626,540 S * 11/2010 Brown et al. D14/250

7,859,222 B2 * 12/2010 Woud 320/115
7,889,498 B2 * 2/2011 Diebel et al. 361/679.56
8,028,794 B1 * 10/2011 Freeman 181/202

* cited by examiner

Primary Examiner — Robert M Spear

Assistant Examiner — Barbara B Lohr

(74) *Attorney, Agent, or Firm* — Design IP

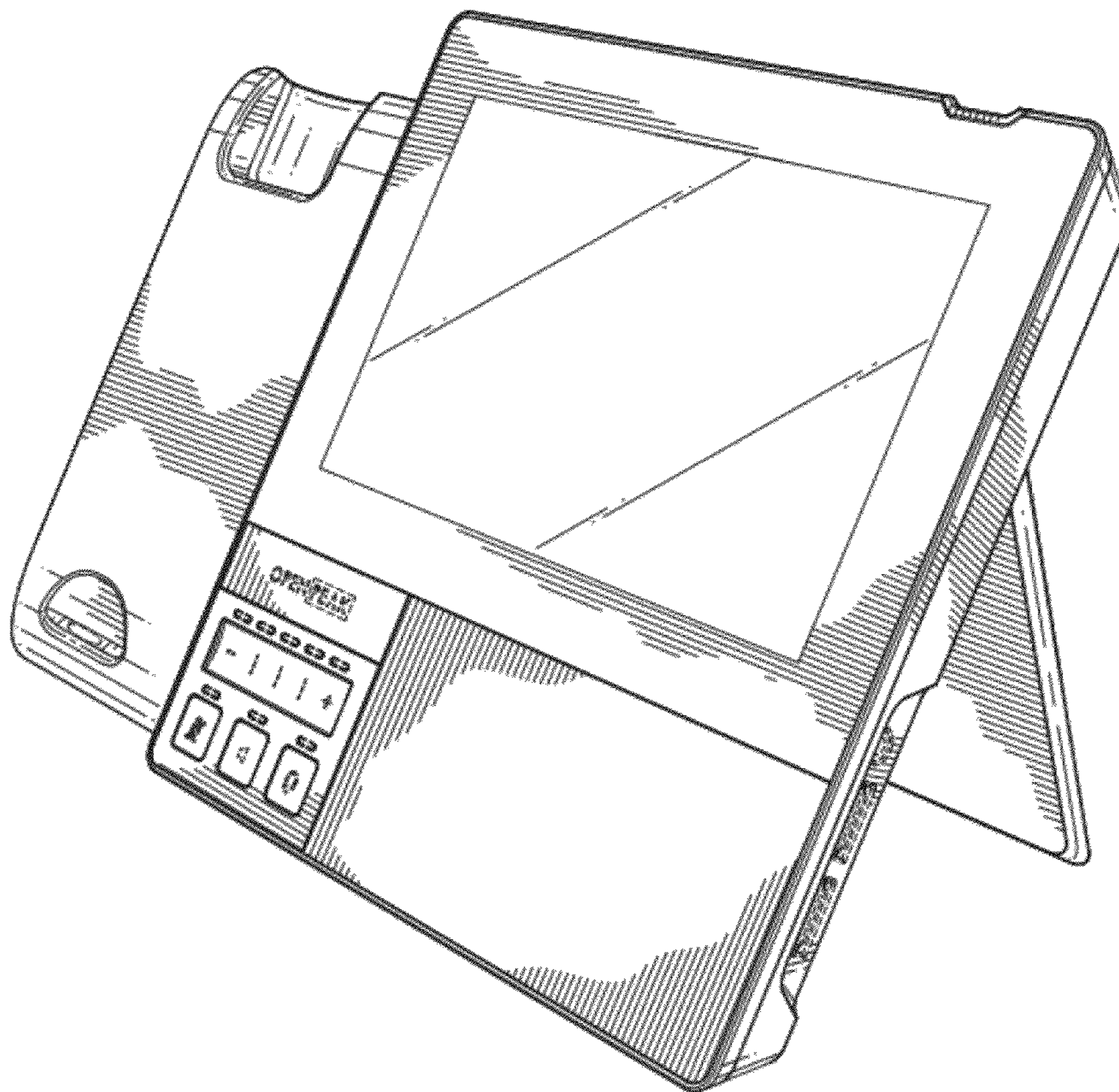
(57) **CLAIM**

The ornamental design for a multimedia telephone, as shown and described.

DESCRIPTION

FIG. 1 is a front perspective view of an embodiment of a multimedia telephone showing our design; FIG. 2 is a rear perspective view thereof; FIG. 3 is a front view thereof; FIG. 4 is a rear view thereof; FIG. 5 is a top view thereof; FIG. 6 is a bottom view thereof; FIG. 7 is a left side view thereof; and, FIG. 8 is a right side view thereof. The broken lines shown in FIGS. 1-5, 7, and 8 represent environmental subject matter and form no part of the claimed design.

1 Claim, 5 Drawing Sheets



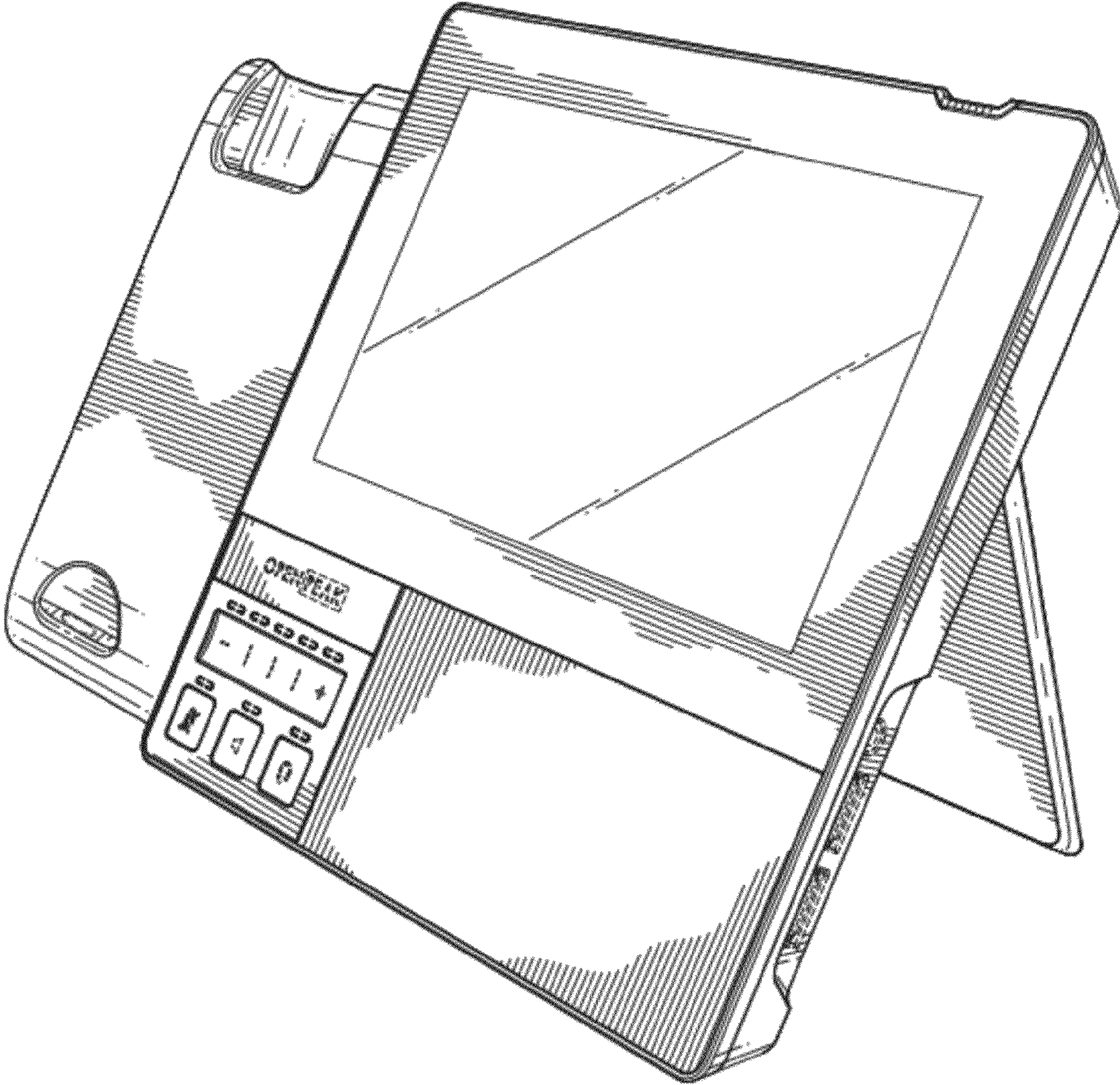


FIG. 1

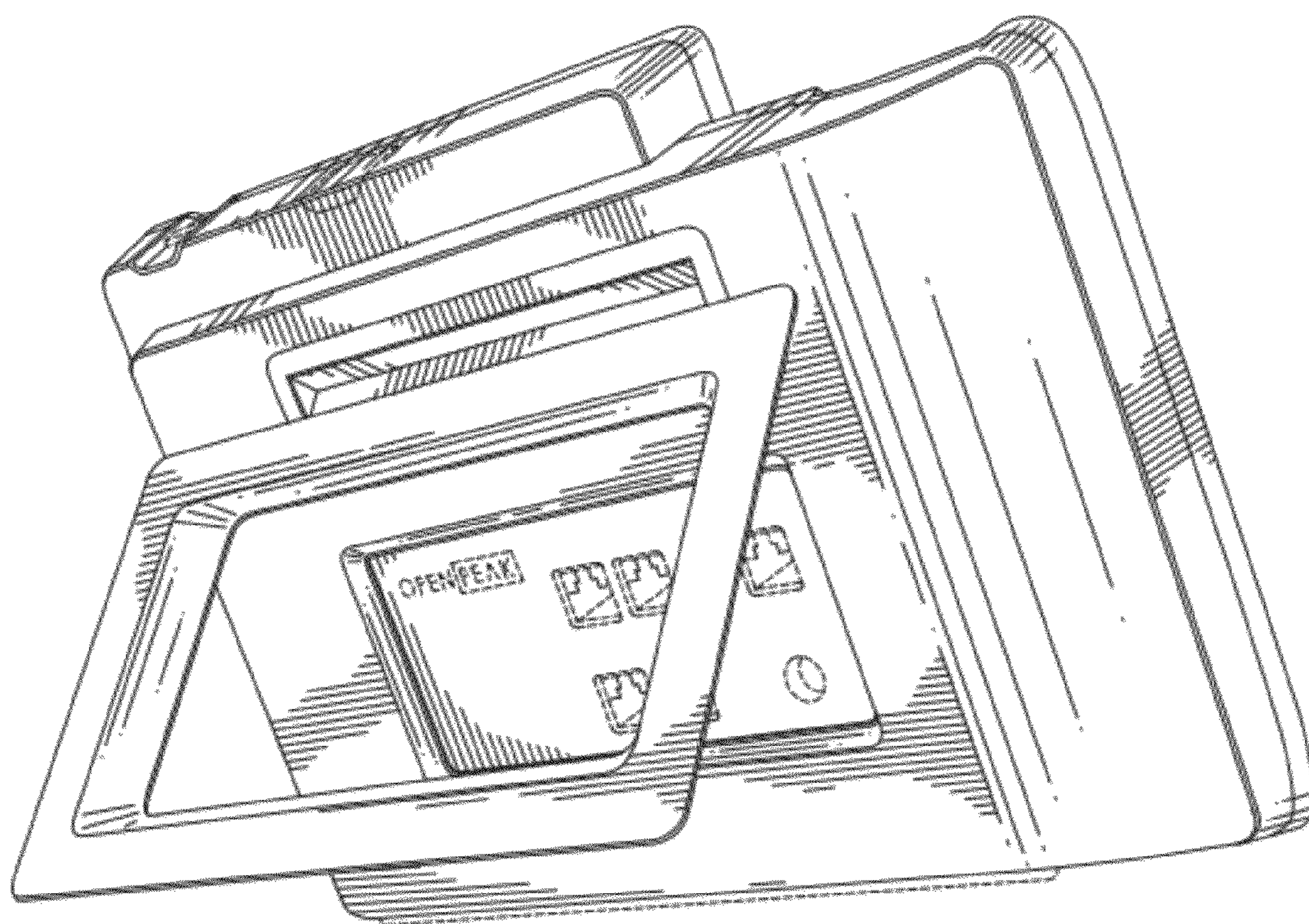


FIG.2

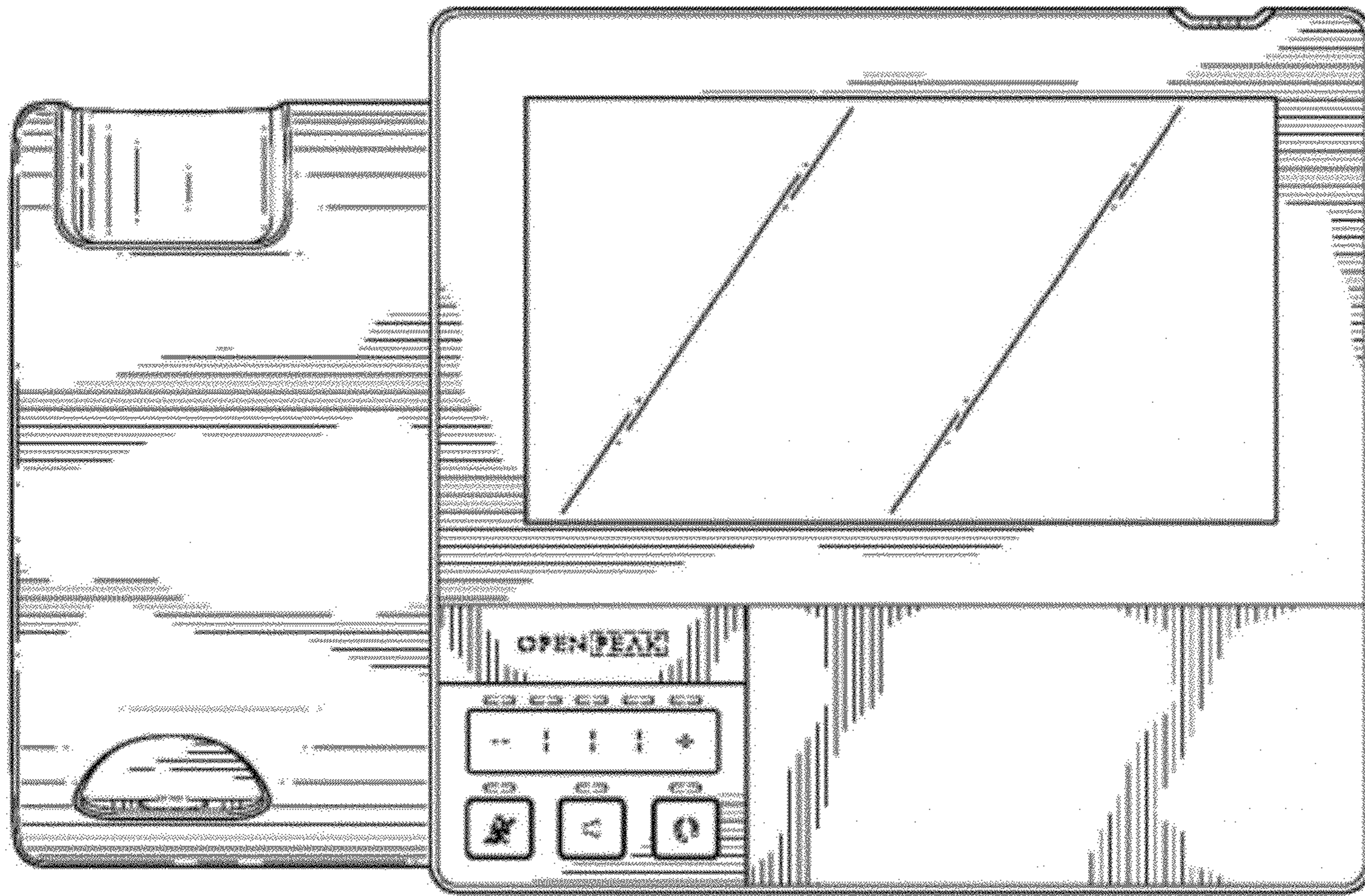


FIG. 3

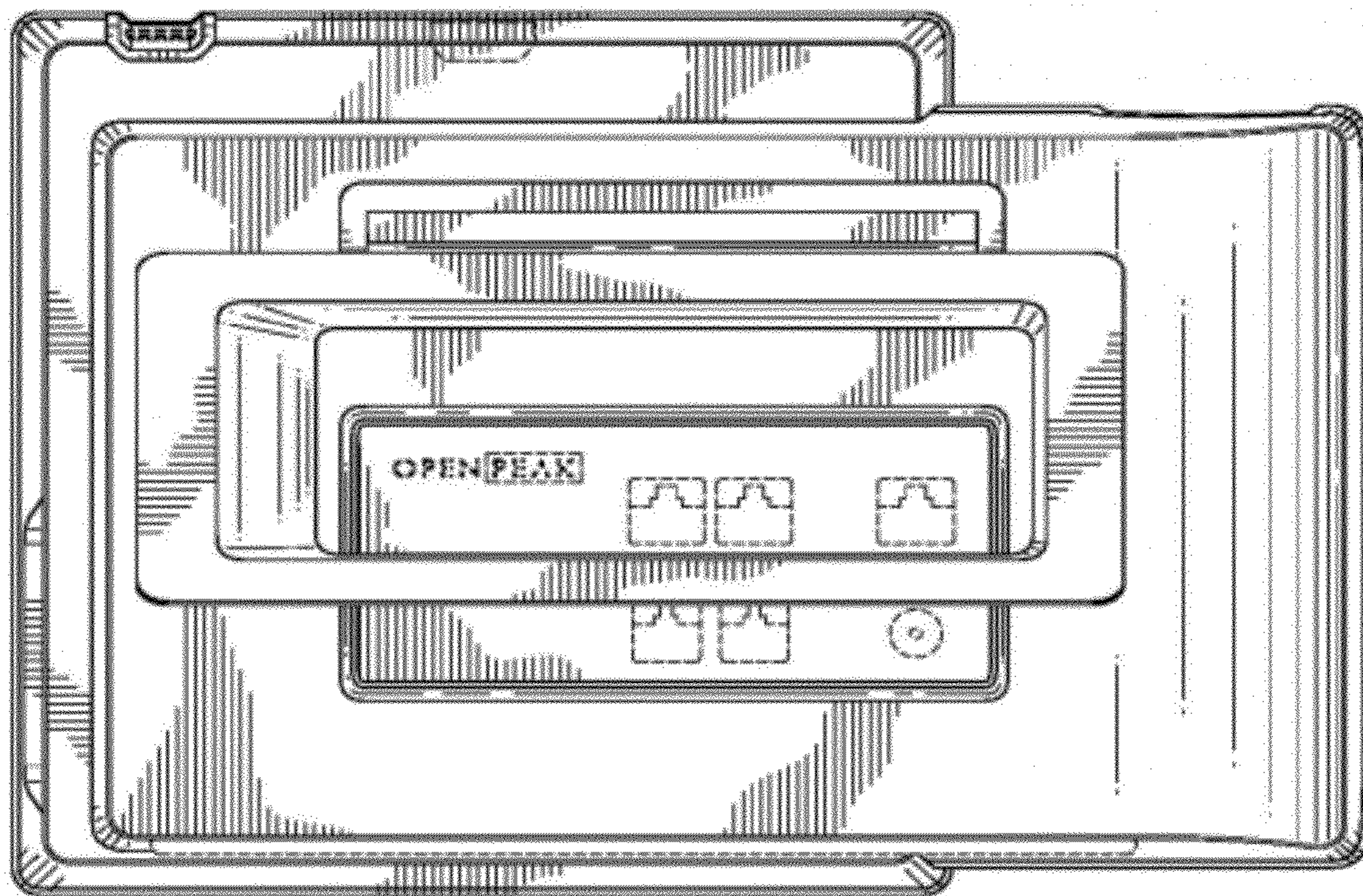


FIG. 4

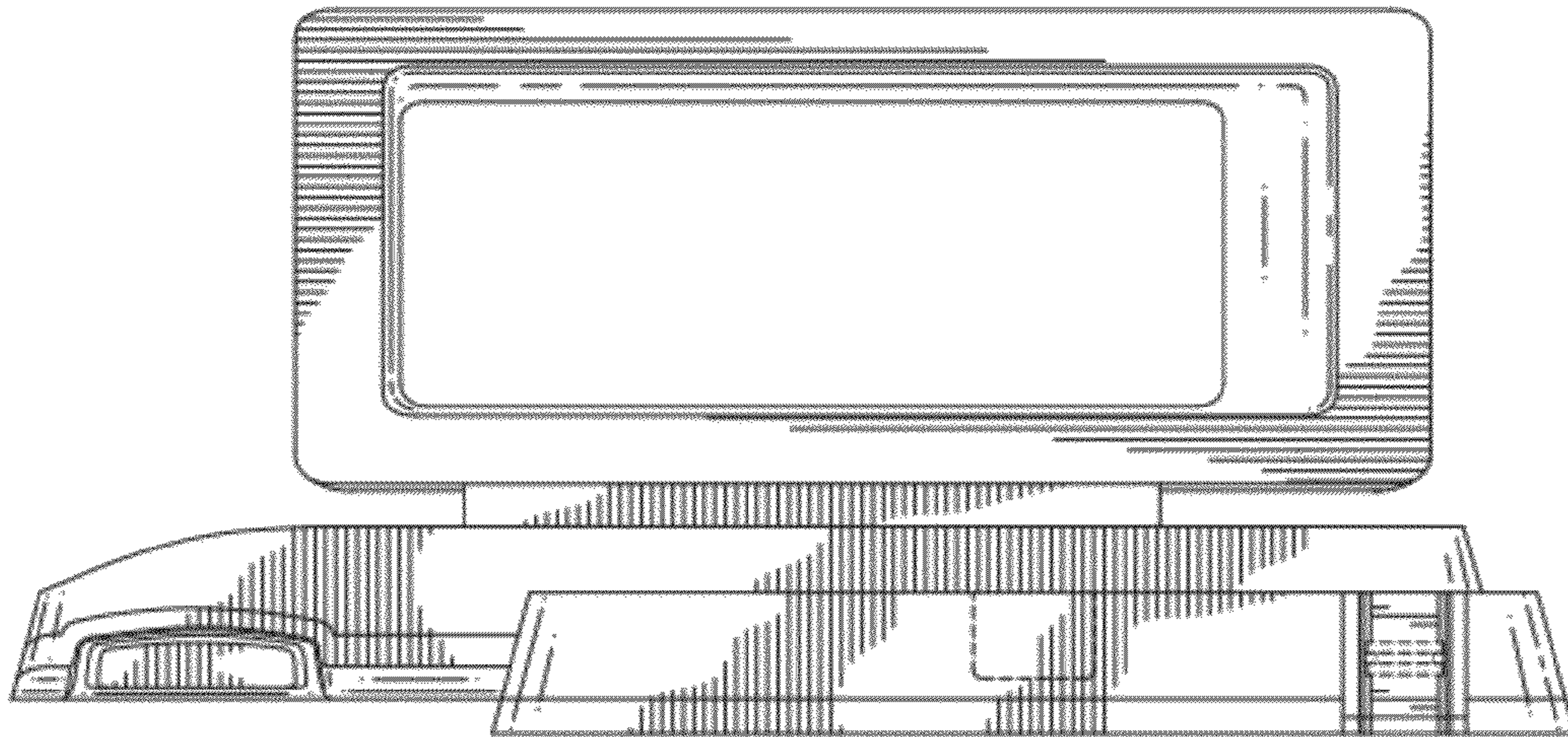


FIG. 5

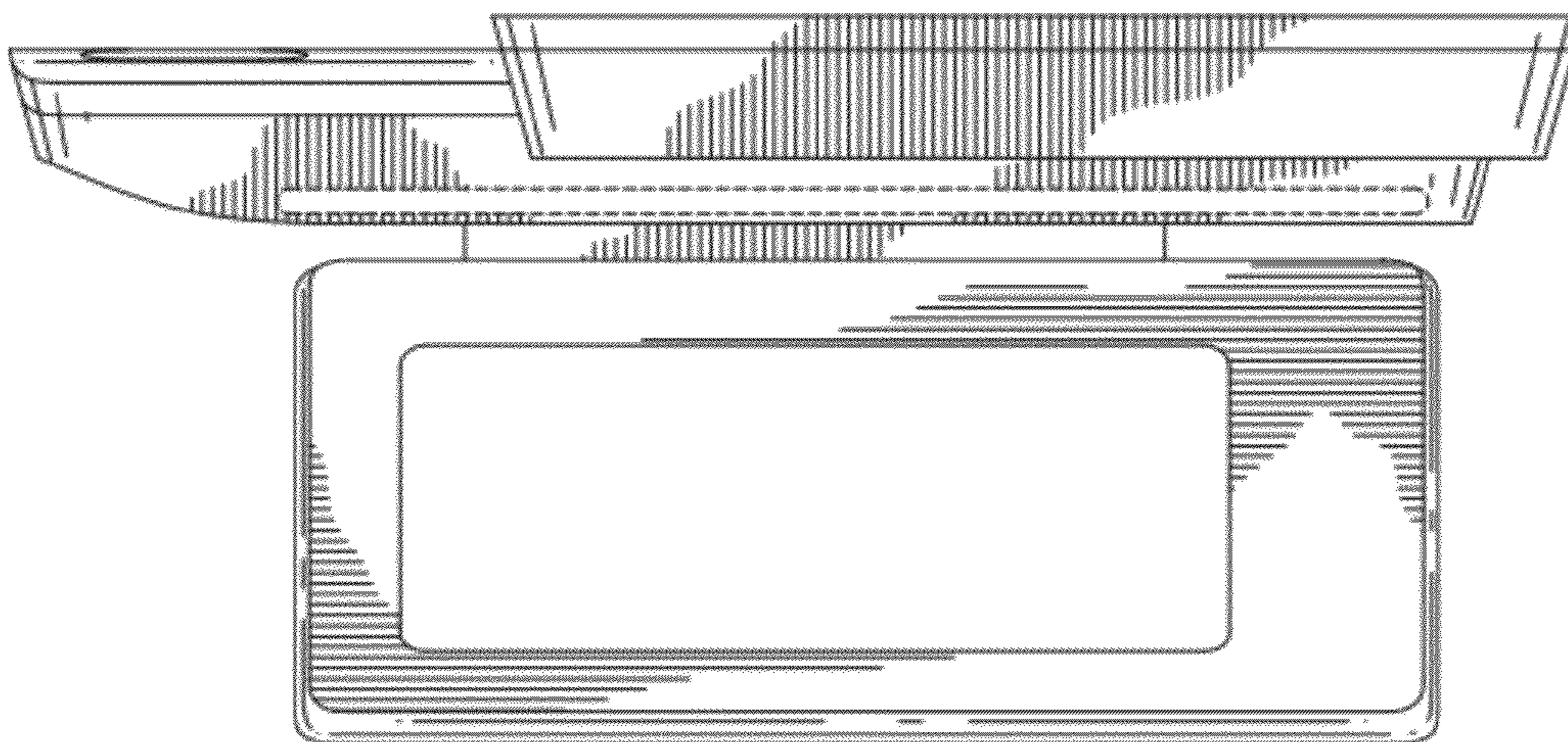


FIG. 6

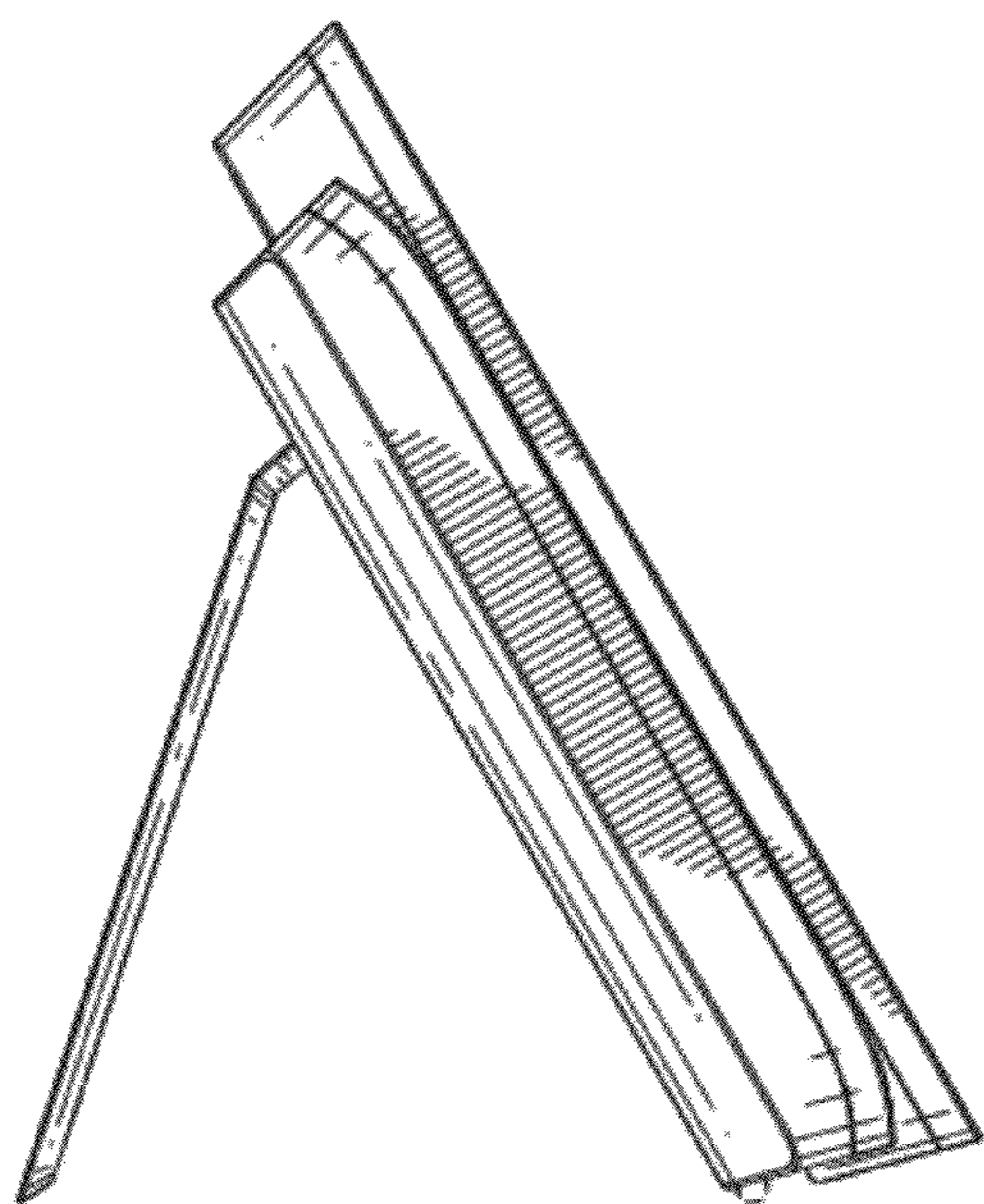


FIG. 7

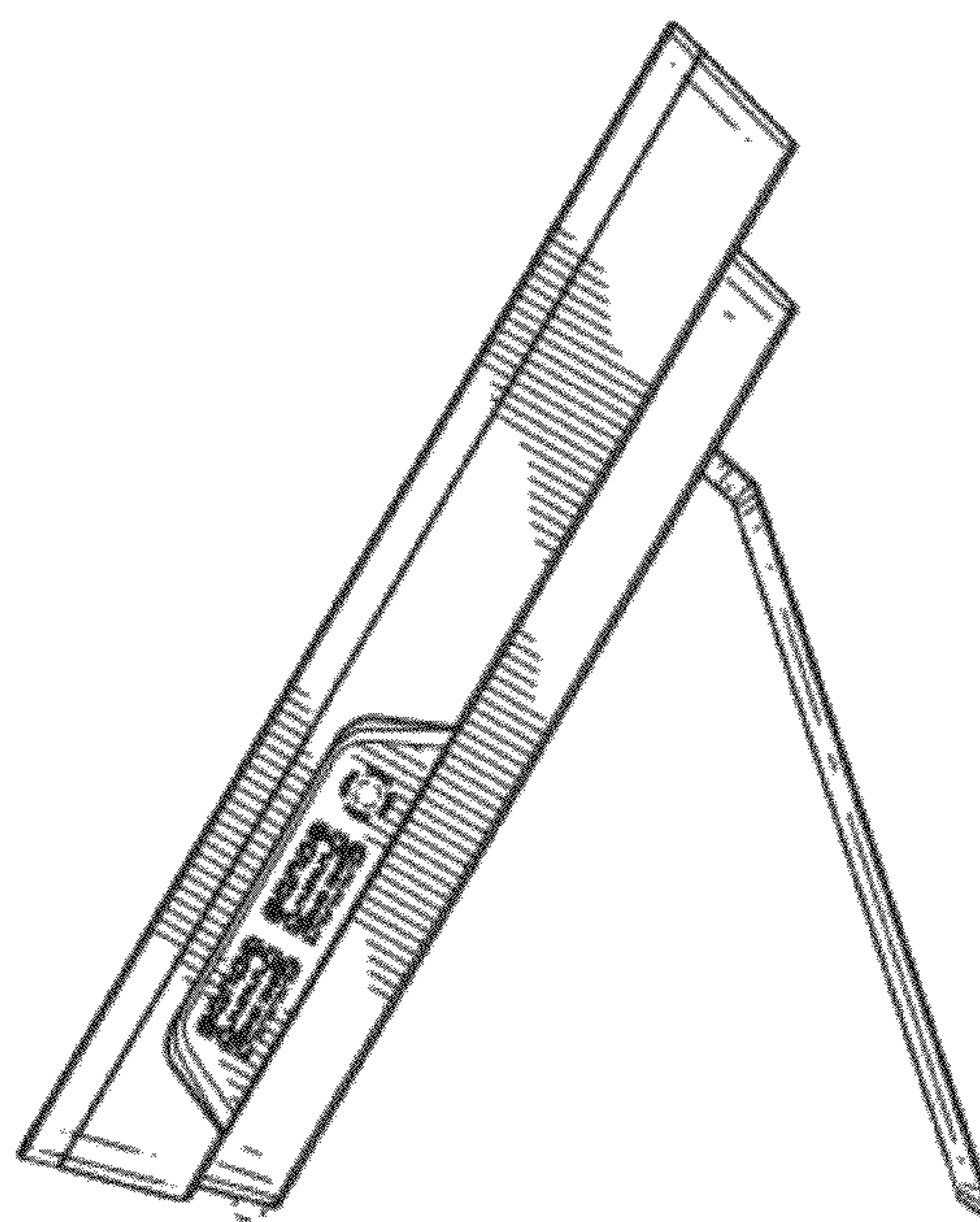


FIG. 8