



US00D668900S

(12) **United States Design Patent**  
**Romero et al.**

(10) **Patent No.:** **US D668,900 S**

(45) **Date of Patent:** **\*\* Oct. 16, 2012**

(54) **DOUBLE TOWEL BAR**

(75) Inventors: **Emilie Williams Romero**, Chicago, IL (US); **Marcus Bosch**, Chicago, IL (US)

(73) Assignee: **Liberty Hardware Mfg. Corp.**, Winston-Salem, NC (US)

(\*\*) Term: **14 Years**

(21) Appl. No.: **29/414,331**

(22) Filed: **Feb. 28, 2012**

(51) **LOC (9) Cl.** ..... **06-04**

(52) **U.S. Cl.** ..... **D6/548**

(58) **Field of Classification Search** ..... D6/546–548, D6/518–519, 522–524; D8/300, 303, 315–321, D8/354, 363, 373, 380; 108/28, 29; 211/13.1, 211/16, 60.1, 86.01, 87.01, 88.01, 88.04, 211/100, 105.1, 105.2, 119.003, 123, 126.1, 211/133.6, 134, 181.1, 182; 248/175, 176.1, 248/200, 214, 251, 302, 309.1; 16/110.1, 16/412, 415; 242/570, 590; 206/389, 357  
See application file for complete search history.

(56) **References Cited**

U.S. PATENT DOCUMENTS

D453,649 S \* 2/2002 Hoernig ..... D6/548  
D477,737 S \* 7/2003 Hoernig ..... D6/548

D492,528 S \* 7/2004 Graves et al. .... D6/548  
D493,317 S \* 7/2004 Hoernig ..... D6/548  
D575,089 S \* 8/2008 Krumpel et al. .... D6/548

\* cited by examiner

*Primary Examiner* — Brian N Vinson

(74) *Attorney, Agent, or Firm* — Lora J. Graentzdoerffer; Nirav D. Parikh; Edgar A. Zarins

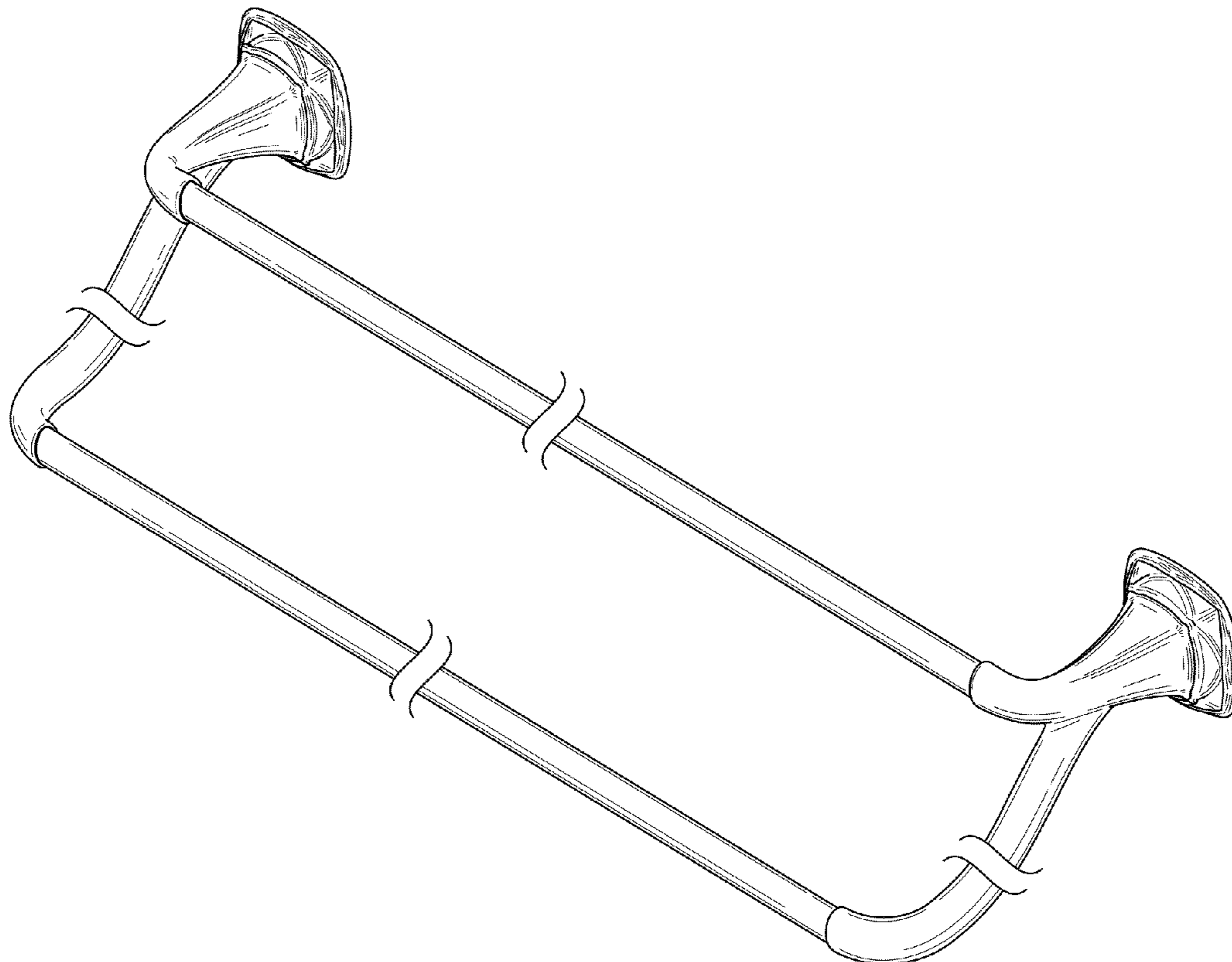
(57) **CLAIM**

The ornamental design for a double towel bar, as shown and described.

**DESCRIPTION**

FIG. 1 is a perspective view of a double towel bar showing our design;  
FIG. 2 is a top plan view thereof;  
FIG. 3 is a bottom plan view thereof;  
FIG. 4 is a front elevational view thereof;  
FIG. 5 is a rear elevational view thereof;  
FIG. 6 is a left side elevational view thereof; and,  
FIG. 7 is a right side elevational view thereof.  
The broken-line disclosure in the views represents portions of the article in which the claimed design is embodied, but which form no part of the claimed design.

**1 Claim, 7 Drawing Sheets**



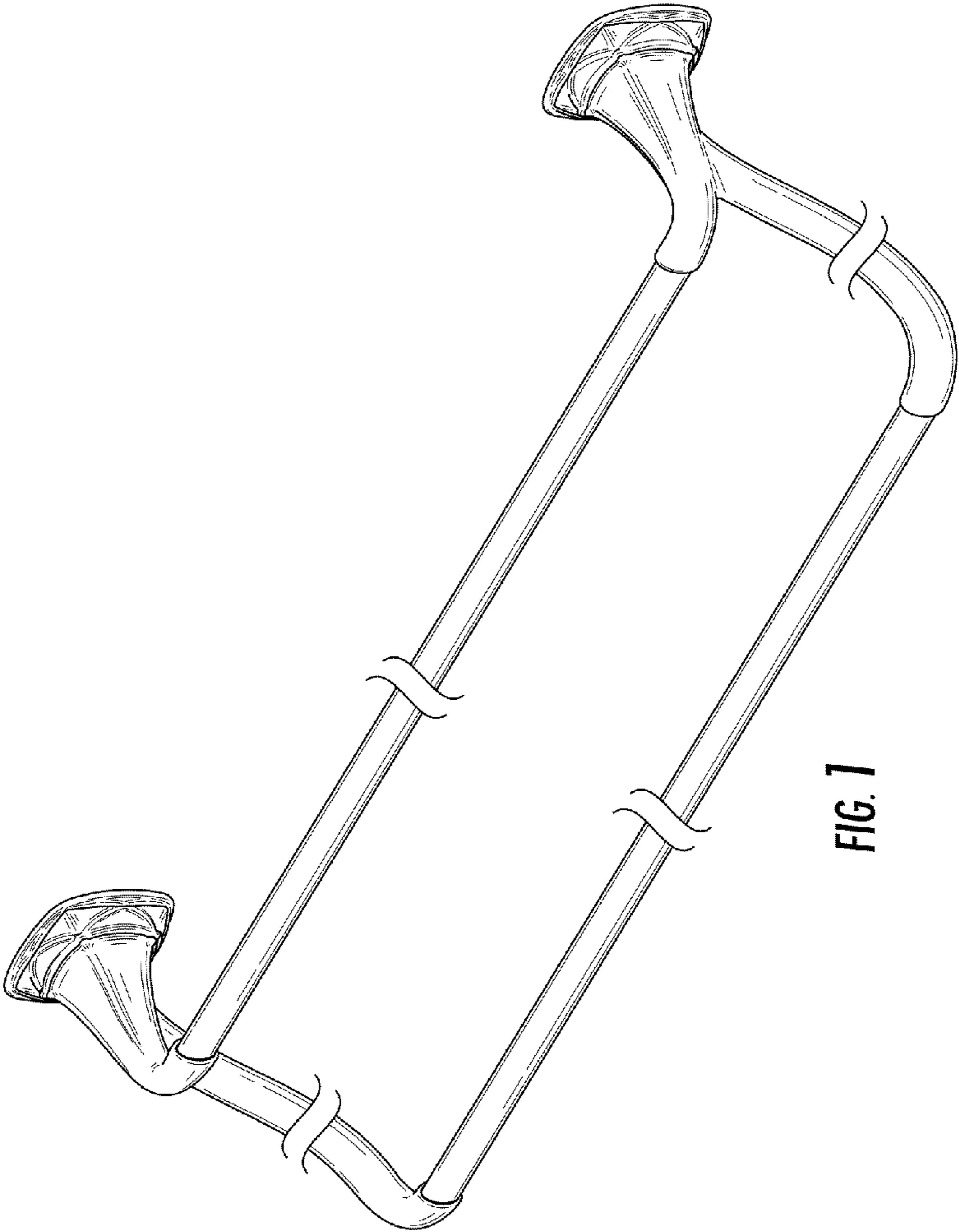


FIG. 1

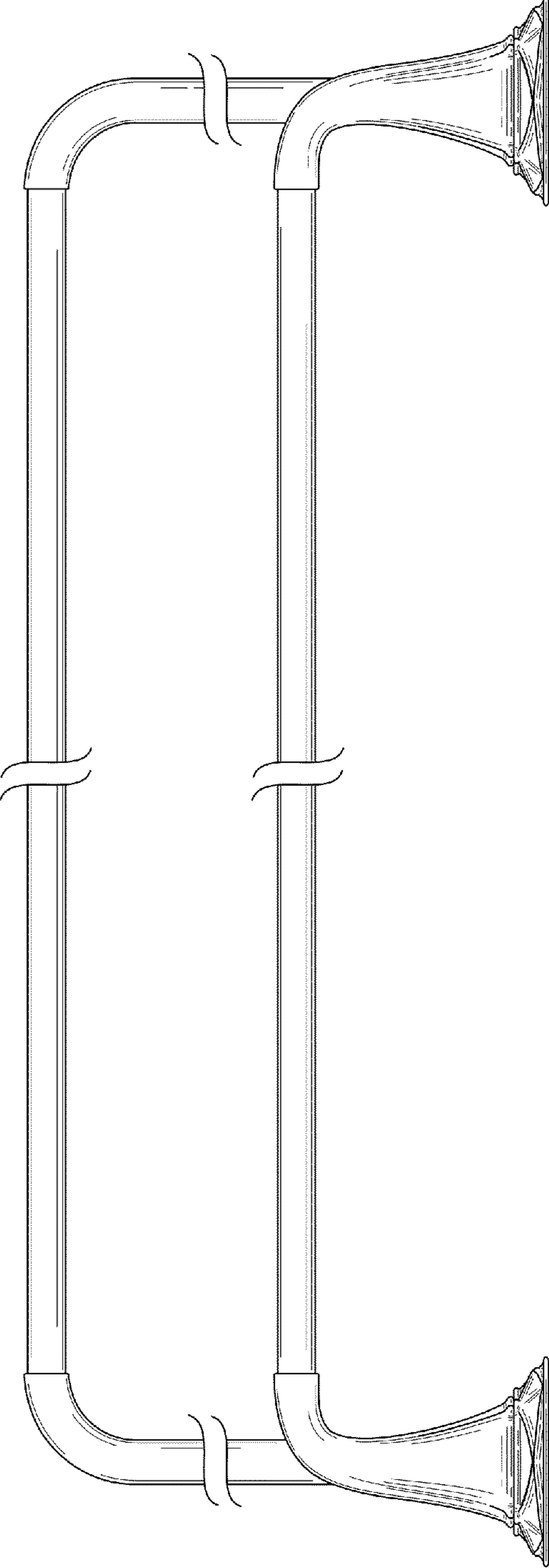


FIG. 2

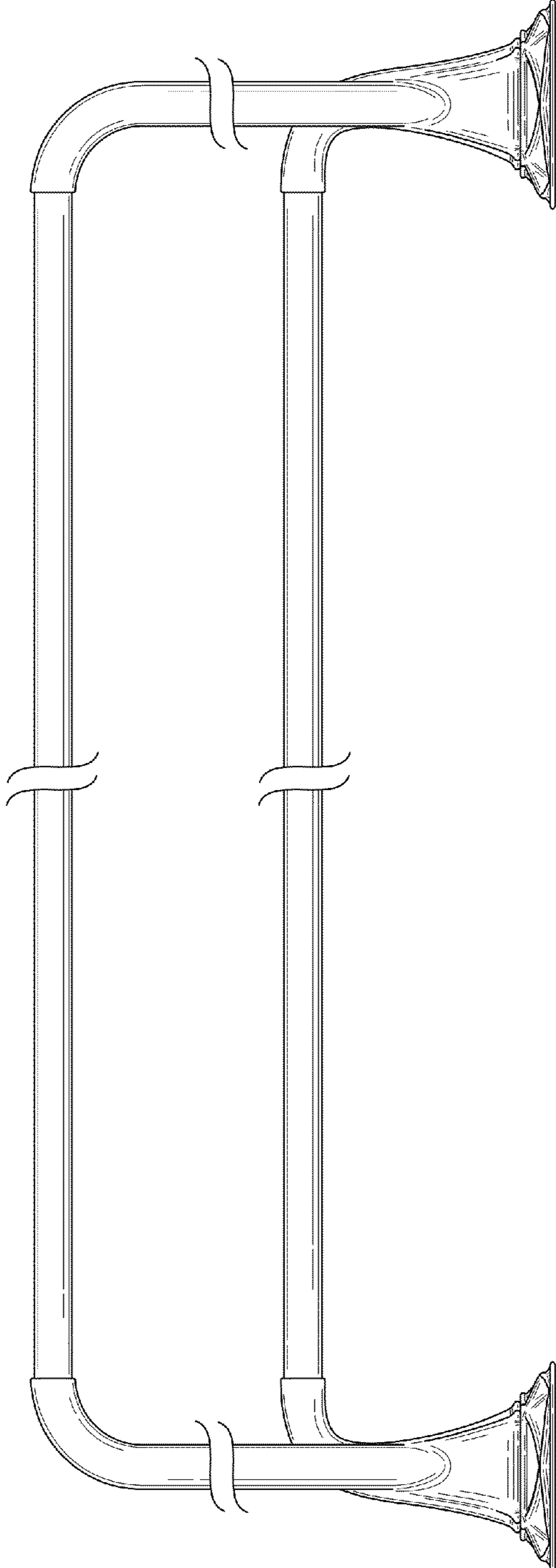


FIG. 3

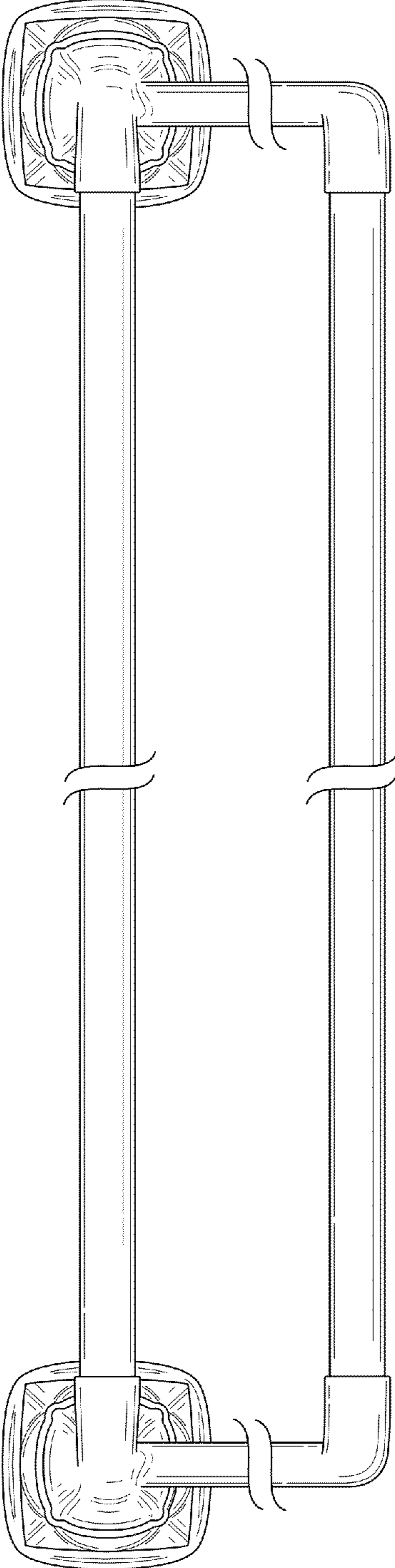


FIG. 4



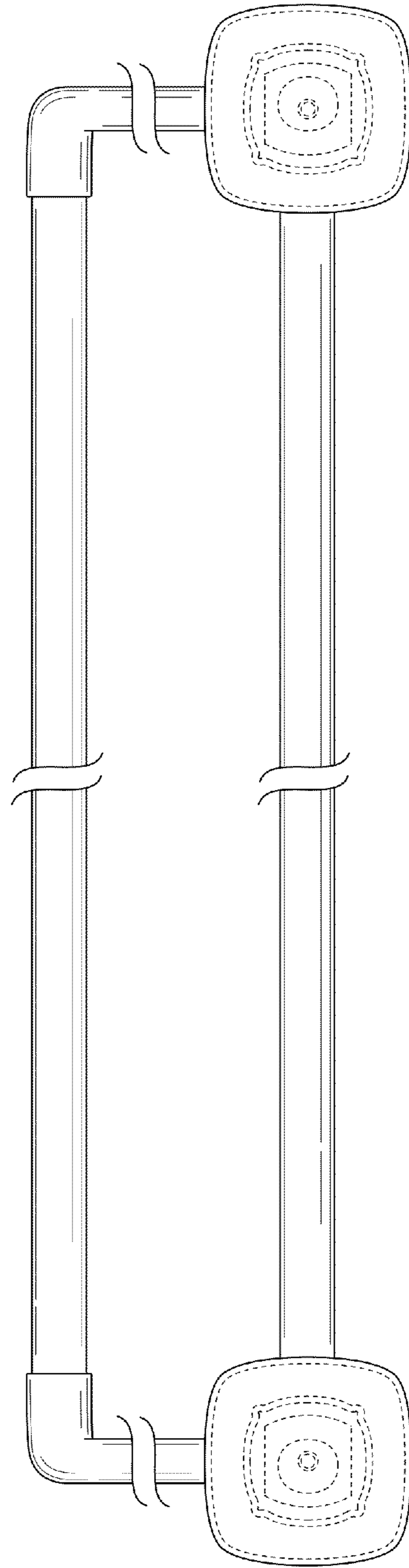
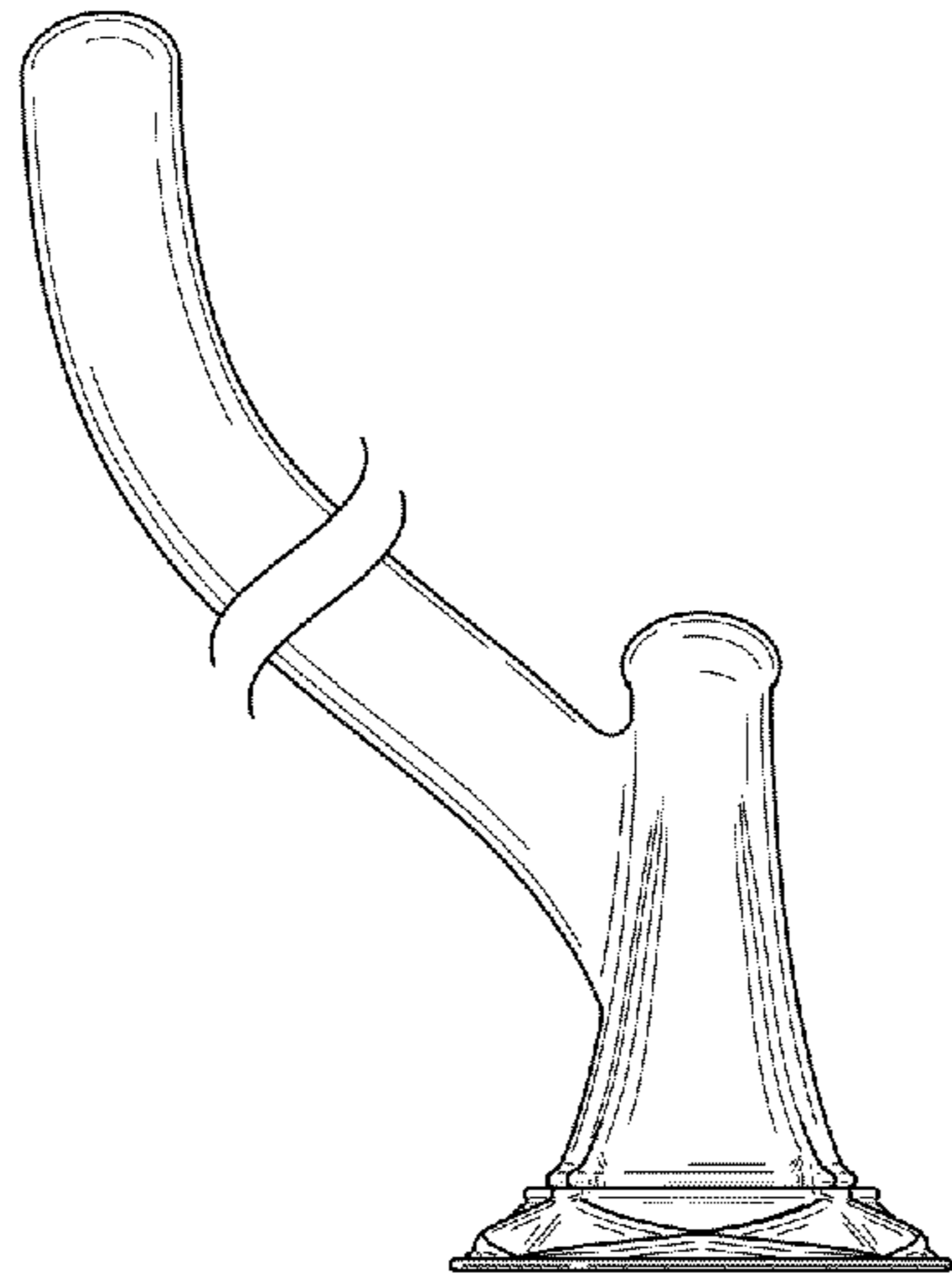
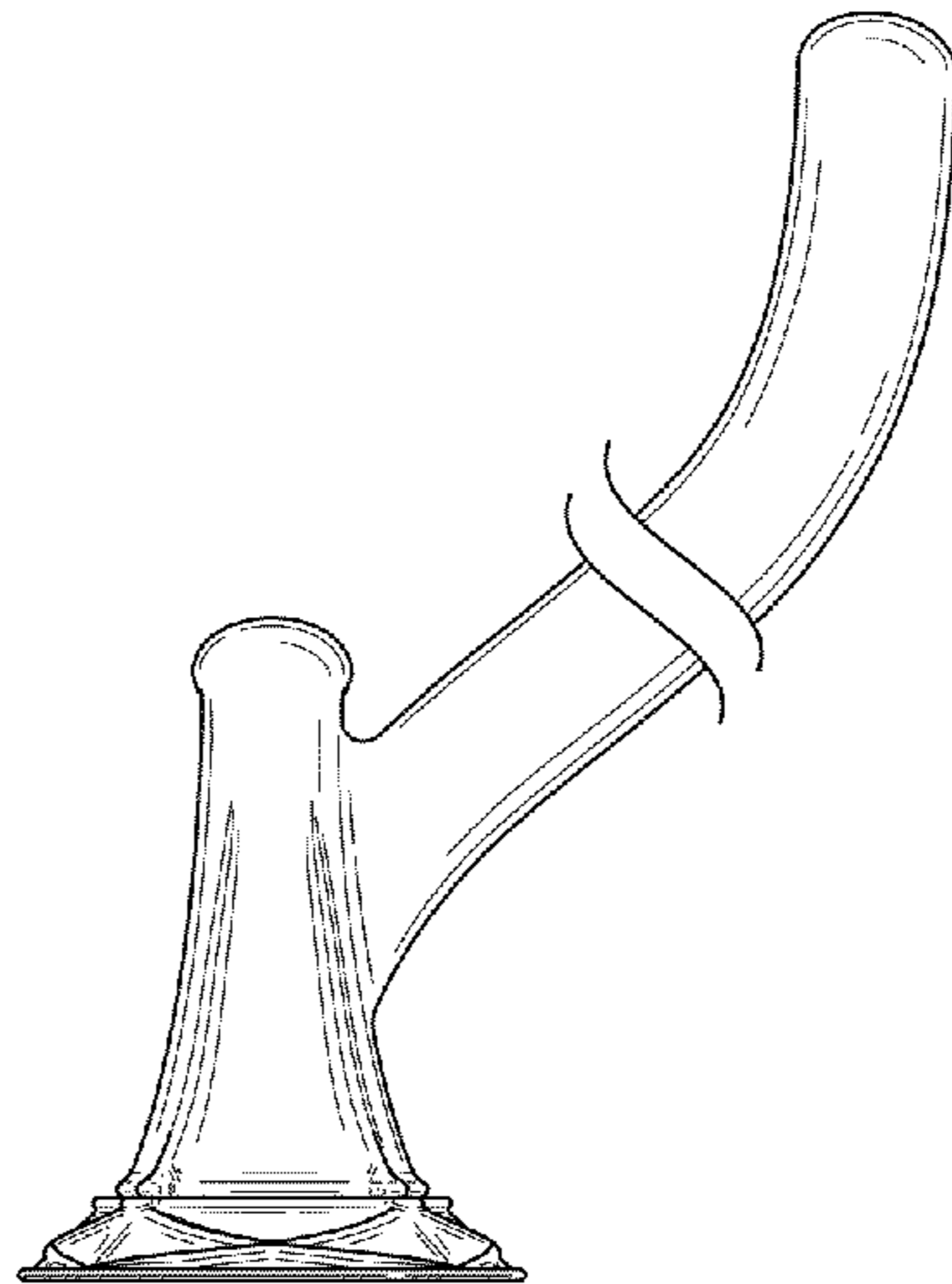


FIG. 5



**FIG. 6**



**FIG. 7**